



Varaosakirja
Parts Manual
Dellista
Ersatzteilliste

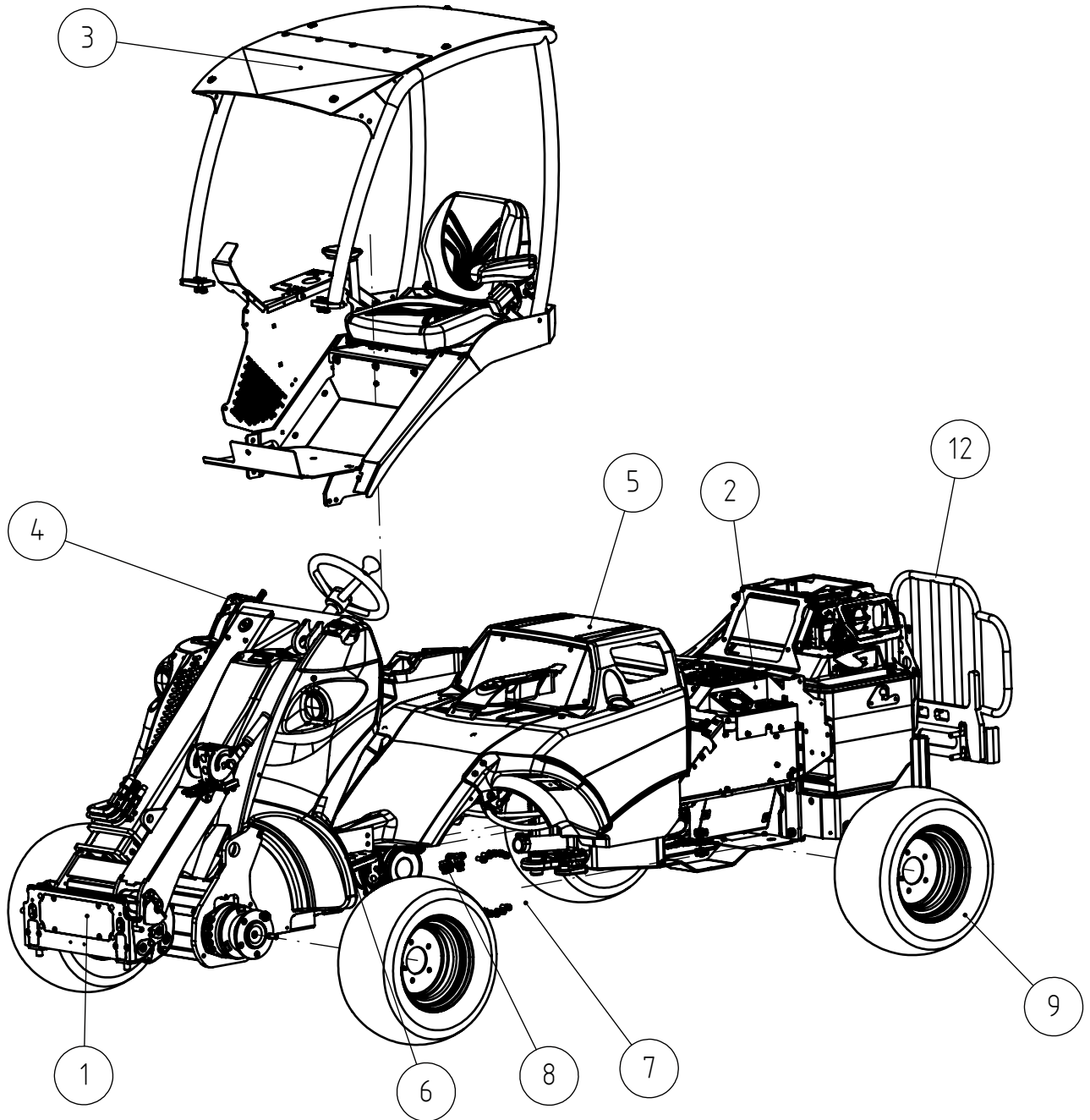


Table Of Contents

A465489		4
A465589	FRONT FRAME ASSEMBLY E500 SERIES	6
A461433	TELESCOPIC BOOM COMPLETE WITH	8
A461513	OUTER BOOM ASSEMBLY	10
A461598	INNER BOOM ASSEMBLY	12
A436687	LINKAGE PIECE "BOOMERANG" CAST STEEL	14
65252	MULTI CONNECTOR, ON LOADER	16
A436576	ATTACHMENT COUPLING PLATE CAST STEEL	18
A436614	LOCKING PIN ASSEMBLY ATTACHM COUPL PLATE	20
A461514	HYDRAULIC TUBES AND HOSES TELESCOPIC	22
A452574	STEERING COLUMN ASSEMBLY	24
A449399	HYDR. HOSES ORBITROL	26
A458427	HYDRAULIC OIL COOLER ASSEMBLY	28
A458426	HYDRAULIC MANIFOLD ASSEMBLY TANK LINE	30
A428569	DRIVE PEDAL ASSEMBLY AVANT E SERIES GEN2	32
A460843	CONTROL VALVE HDS11 ASSEMBLY MANUAL	34
A460740	CONTROL LEVERS & JOINTS HDS11 ASSEMBLY	36
A460791	JOYSTICK MANUAL ASSEMBLY	38
A461285	HYDRAULIC HOSES CONTROL VALVE - BOOM	40
A465491	REAR FRAME WITH ACCESSORIES ASSEMBLY	42
A464303	REAR FRAME STEEL CHASSIS ASSEMBLY E500	44
A461332	REAR FRAME FRONT PART ASSEMBLY 400-650I	46
A37449	ARTICULATION JOINT ASSEMBL REAR FRAME	48
A464306	REAR FRAME REAR PART ASSEMBLY E500	50
A457898	HYDRAULIC MANIFOLD ASSEMBLY E500 SERIES	52
A464642	HYDRAULIC MANIFOLD DRIVE WITHOUT ANTI	54
A464643	HYDRAULIC MANIFOLD DRIVE WITH ANTI SLIP	56
A457215	MOTOR BAY ASSEMBLY E500	58
A461584	MOUNTING FRAME ELECTRIC MOTORS E500	60
A461537	ELECTRIC MOTOR WITH AUX. HYDR. PUMP E500	62
A462847	INVERTER ASSEMBLY AUX. HYDRAULICS E500	64
A462846	INVERTER ASSEMBLY DRIVE E500 SERIES	66
A461536	ELECTRIC MOTOR WITH DRIVE PUMP E500	68
A462319	FRONT PLATE WITH PRESSURE SWITCH MOTOR	70
A464620	HYDR. HOSES MOTOR BAY E500	72
A461189	HYDRAULIC MANIFOLD AUX. HYDR. PUMP E500	74
A464082	COOLING FANS ASSEMBLY E500	76
A464317	MOUNTING FRAME REAR ASSEMBLY E500	78
A464699	MOUNTING FRAME REAR GRILLE E500	80
A464715	BATTERY COOLING ASSEMBLY E500	82
A465588	BATTERY CHARGER ON-BOARD WITH TYPE 1	84

A464697	BATTERY CHARGER ON-BOARD WITH TYPE 2		86
A462042	ROPS/FOPS CAB ASSEMBLY		88
A462011	SEAT BASE ASSEMBLY 500-700 SERIES		90
A439987	INSTRUMENT PANEL WITH DECAL 700 / 800		92
A48906	ROPS FRAME WITH FOPS CANOPY, 500 SERIES		94
A460461	DASHBOARD WITH ACCESSORIES ROPS CAB		96
A460464	DASHBOARD FRAME ROPS CAB		98
A465493	COVER PLATES ABS COMPL. KIT E500 SERIES		100
A446265	COVER PLATES FRONT FRAME ABS 500-700	*ABS, ROPS	102
A447754	COVER PLATES FRONT FRAME POLYCARBONATE	*PC/HD (optional extra)	104
A446009	COVER PLATES ABS FRONT FRAME CAB GT	*ABS	106
A447757	COVER PLATES HD POLYCARBONATE FRONT	*PC/HD (optional extra)	108
A450770	WORK LIGHTS LED ON FRONT COVERS ASSEMBLY		110
A464315	COVER PLATES ABS REAR FRAME E500		112
A465507	ELECTRIC COMPONENTS 12V E500		114
A445134	HYDRAULIC MOTOR ASSEMBLY 364 CCM POCLAIN	*Avant 528 (1 speed)	116
A462184	HYDR. HOSES DRIVE E500		118
A459421	COVER PLATES KIT HD POLYCARBONATE E513		120
A464722	COVER PLATES HD POLYCARBONATE REAR FRAME		122
A449937	CAB L		124
A443979	WINDSCREEN WIPER ASSEMBLY CAB L 523-760I		126
A446010	TANK ASSEMBLY WINDSCREEN WASHER		128
A438520	WORK LIGHT KIT, 3 LED LIGHTS 700 LUMEN		130
A459418	ROAD TRAFFIC KIT E513 E527		132
A450854	HEADLAMPS / PARKING LIGHTS / INDICATOR		134
A412565	REAR WALL FOR ROAD TRAFFIC LIGHTS		136
A35884	EXTRA AUX. HYDR. OUTLET, FRONT, 500 SERI		138
A450469	HYDRAULIC ATTACHMENT COUPLING PLATE 500,		140
A449703	VALVE ASSEMBLY HYDR. ATTACHMENT COUPLING		142
A455807	BOOM SELF LEVELLING, 500 & E SERIES		144
A458483	DIVIDER WITH FITTINGS, HOSES, ASSEMBLY		146
A464123	CHARGING INLET 400V DIN 320 ON LOADER		148
A459419	EXTRA 12V POWER KIT E513 E527		150
A443905	CAB L, 500-700 SERIES		152
A455802	BOOM FLOATING, MACHINE WITHOUT SELF		154
A449669	SOLENOID VALVE 2/2		156
A455803	BOOM FLOATING, WHEN SELF LEVELLING		158
A449741	DIRECTIONAL VALVE ASSEMBLY BOOM FLOAT &		160
A450469	HYDRAULIC ATTACHMENT COUPLING PLATE 500,		140
A455808	SMOOTH DRIVE, 500 SERIES		164
A463671	DECAL KIT FRONT FRAME E513/E527 ROPS		166
A463699	DECAL KIT REAR FRAME E513/E527		168

A465489



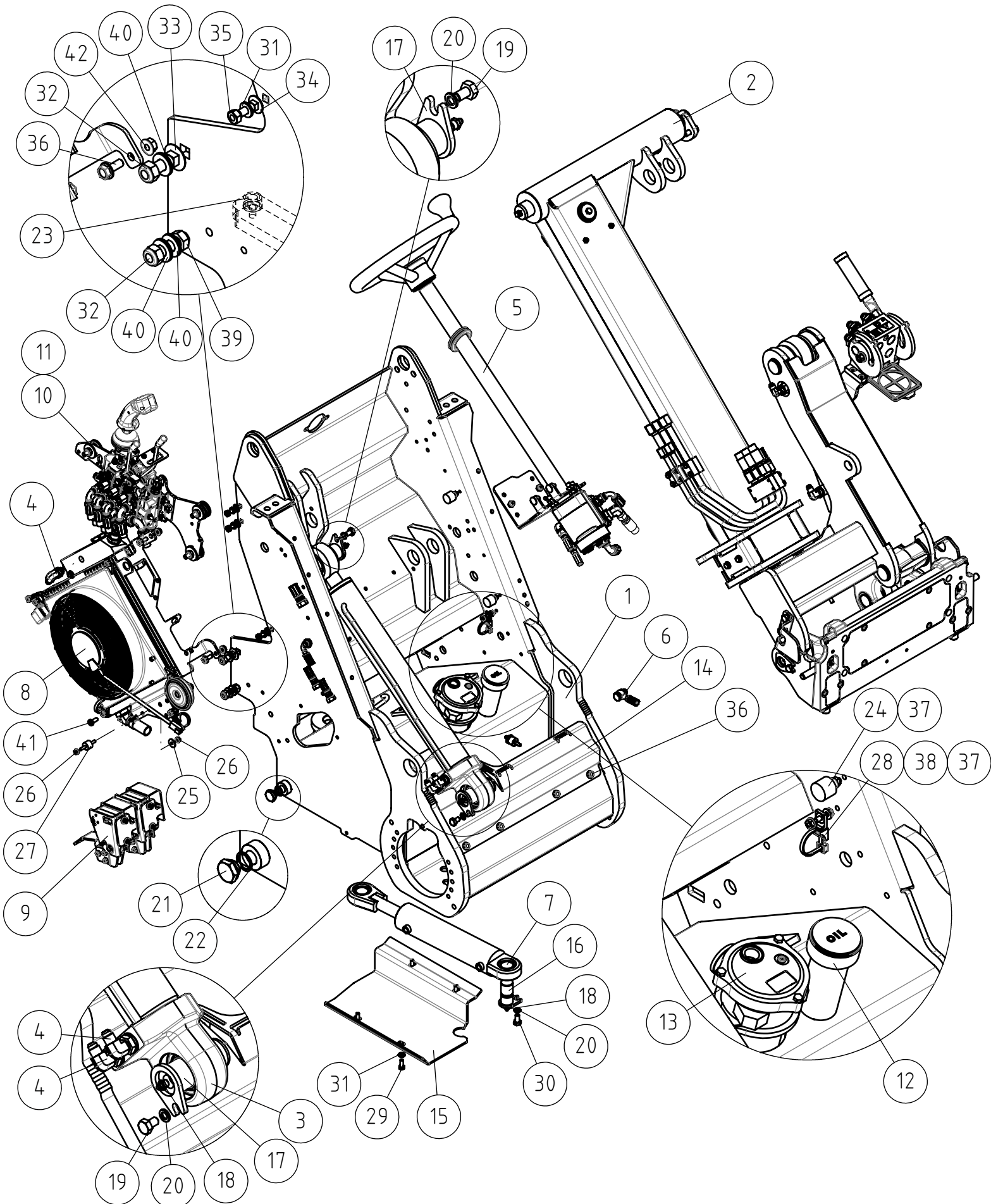
23.2.2024

A465489

REF	PART NO	QTY	DESCRIPTION	NOTES	PAGE
1	A465589	1	FRONT FRAME ASSEMBLY E500 SERIES		6
2	A465491	1	REAR FRAME WITH ACCESSORIES ASSEMBLY		42
3	A462042	1	ROPS/FOPS CAB ASSEMBLY		88
4	A460461	1	DASHBOARD WITH ACCESSORIES ROPS CAB		96
5	A465493	1	COVER PLATES ABS COMPL. KIT E500 SERIES		100
6	A465507	1	ELECTRIC COMPONENTS 12V E500		114
7	A445134	1	HYDRAULIC MOTOR ASSEMBLY 364 CCM POCLAIN	Avant 528 (1 speed)	116
8	A462184	1	HYDR. HOSES DRIVE E500		118
9	65996	4	WHEEL 23*10.50-12 GRASS, 5-HOLE RIM		-
9	65997	4	WHEEL 23*10.50-12 TRACTOR 5- HOLE RIM		-
9	65414	4	WHEEL 27*8.50-15 10 HOLE RIM TRACTORPROF		-
9	65995	4	WHEEL 23*8.50-12 TRACTOR 5- HOLE RIM		-
9	65994	4	WHEEL 23*8.50-12 GRASS, 5-HOLE RIM		-
9	65212	4	WHEEL 26*12.00-12 GRASS PROFILE 10-HOLE		-
9	65739	4	WHEEL 26*12.00-12 TRACTOR, 10 HOLE RIM		-
9	65224	4	WHEEL (TYRE+RIM) 10 HOLE 320/60-12 TR HD		-
10	A463699	1	DECAL KIT REAR FRAME E513/E527		168
11	A463671	1	DECAL KIT FRONT FRAME E513/E527 ROPS		166
12	A454760	1	REAR GUARD 400-600, E SERIES		-

23.2.2024

A465589 FRONT FRAME ASSEMBLY E500 SERIES



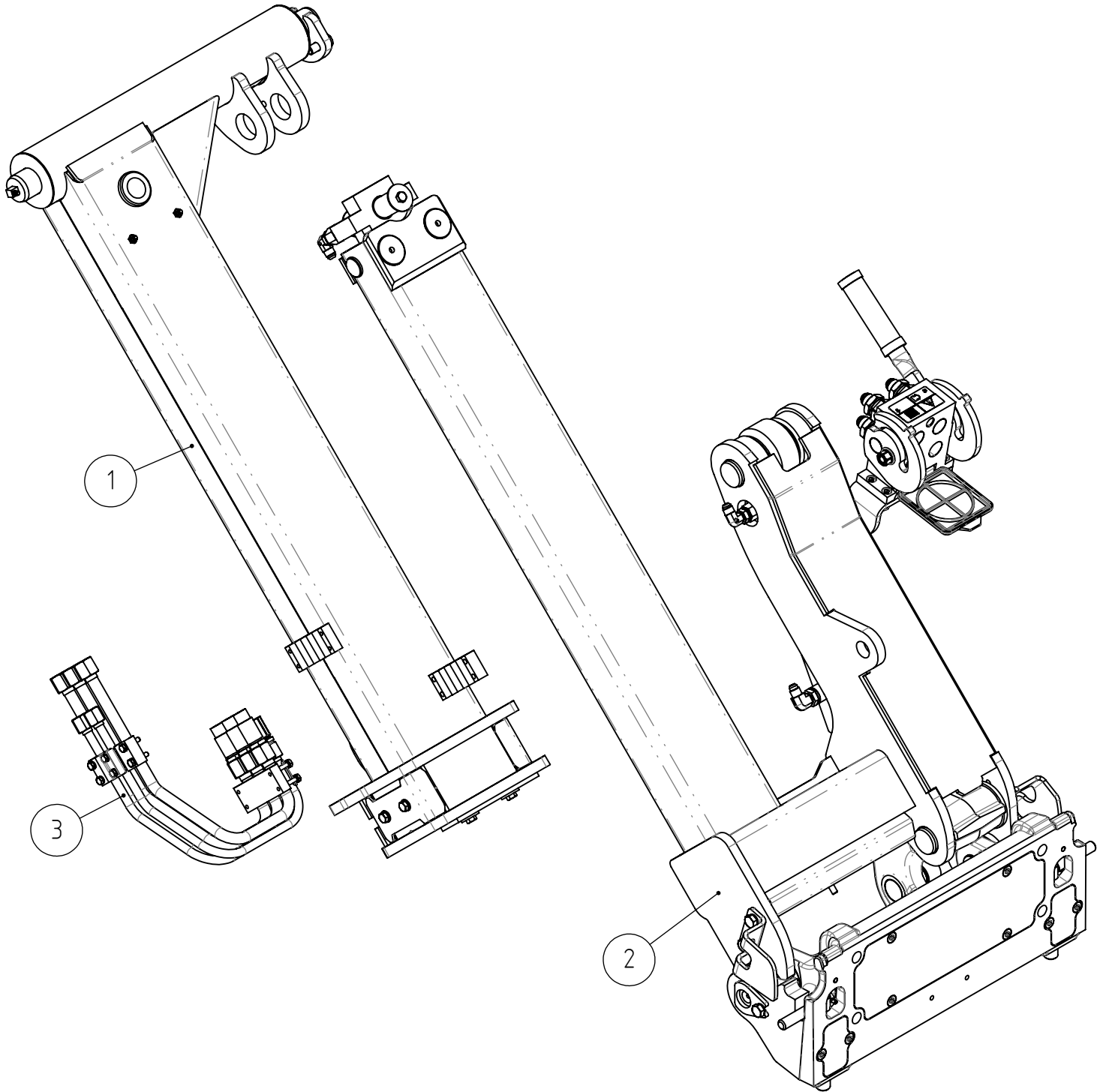
23.2.2024

A465589 FRONT FRAME ASSEMBLY E500 SERIES

REF	PART NO	QTY	DESCRIPTION	NOTES	PAGE
1	A450315	1	FRONT FRAME 500-600 SERIES		-
2	A461433	1	TELESCOPIC BOOM COMPLETE WITH		8
3	A420809	1	HYDRAULIC CYLINDER F63/F35-450		-
3.1	65003	1	SEAL KIT, 63/35 CYLINDER		-
3.2	64911	2	ARTICUL. BEARING GE40ES F62/40-28(22)		-
4	64044	3	ELBOW FITTING 90° C40XS10-3/8 /8		-
5	A452574	1	STEERING COLUMN ASSEMBLY		24
6	A449399	1	HYDR. HOSES ORBITROL		26
7	A410813	1	HYDR. CYLINDER F60/F30-172 STEERING		-
7.1	65567	1	SEAL KIT, CYLINDER F60/F30		-
7.2	64273	2	ARTICUL. BEARING GE30ESF47/30-22(18)		-
8	A458427	1	HYDRAULIC OIL COOLER ASSEMBLY		28
9	A428569	1	DRIVE PEDAL ASSEMBLY AVANT E SERIES GEN2		32
10	A460843	1	CONTROL VALVE HDS11 ASSEMBLY MANUAL		34
11	A461285	1	HYDRAULIC HOSES CONTROL VALVE - BOOM		40
12	A48010	1	DIPSTICK L=230 HYDR. OIL R1 1/4"		-
13	64176	1	HYDRAULIC OIL FILTER, RETURN, OMTF 75-20		-
13.1	A427821	1	SEAL KIT HYDRAULIC RETURN OIL FILTER		-
14	A449045	1	COVER DRIVE MOTORS FRONT		-
15	A410452	1	BOTTOM PLATE		-
16	A47655	1	PIVOT PIN F30-60		-
17	A47041	2	PIVON PIN F40-90		-
18	72798	3	GREASE NIPPLE R 1/8" STRAIGHT		-
19	72147	2	HEXAGONAL SCREW M 10*16 DIN 933		-
20	74531	3	SPACER NORDLOCK M10, PAIR		-
21	64352	1	HEXAGONAL DRAIN PLUG, MAGNETIC R 1/2		-
22	75117	1	SEAL RING F26/F21*1,5		-
23	A413262	2	BUSHING F19/F10, FLOOR RAISING, 700		-
24	65238	2	RUBBER MOUNT, CYLINDRICAL		-
25	71681	4	WASHER M6 DIN 440		-
26	A452923	5	HEXAGONAL NUT M6 DIN 6923		-
27	A445490	4	VIBRATION DAMPER D20X15		-
28	A442639	1	CABLE TIE 7,6*390 M6 BLACK		-
29	72130	4	HEXAGONAL SCREW M8*20		-
30	73040	1	HEXAGONAL SCREW M10*20 DIN 933 ZN		-
31	63944	7	WASHER, PAIR, NORD-LOCK M8		-
32	72324	2	HEXAGONAL NUT M 12 NYLOC DIN 985		-
33	74983	1	CARRIAGE BOLT M12*35 DIN603		-
34	74857	3	CARRIAGE BOLT M8*25 DIN603		-
35	72319	3	HEXAGONAL NUT M8 DIN 934		-
36	A429201	6	HEXAGONAL SERRATED SCREW M8*20 WITH		-
37	74781	3	HEXAGONAL NUT M6 WITH FLANGE		-
38	A431349	1	HEXAGONAL SERRATED SCREW M6*20 W. FLANG		-
39	75156	1	HEXAGONAL SCREW M12*35 DIN 931 10.9		-
40	A430999	3	WASHER, PAIR, M12 NORDLOCK		-
41	A435496	1	THREAD-FORMING SCREW M8*20 DIN 7500C		-
42	A450046	2	HEXAGONAL NUT M8 WITH FLANGE		-

23.2.2024

A461433 TELESCOPIC BOOM COMPLETE WITH



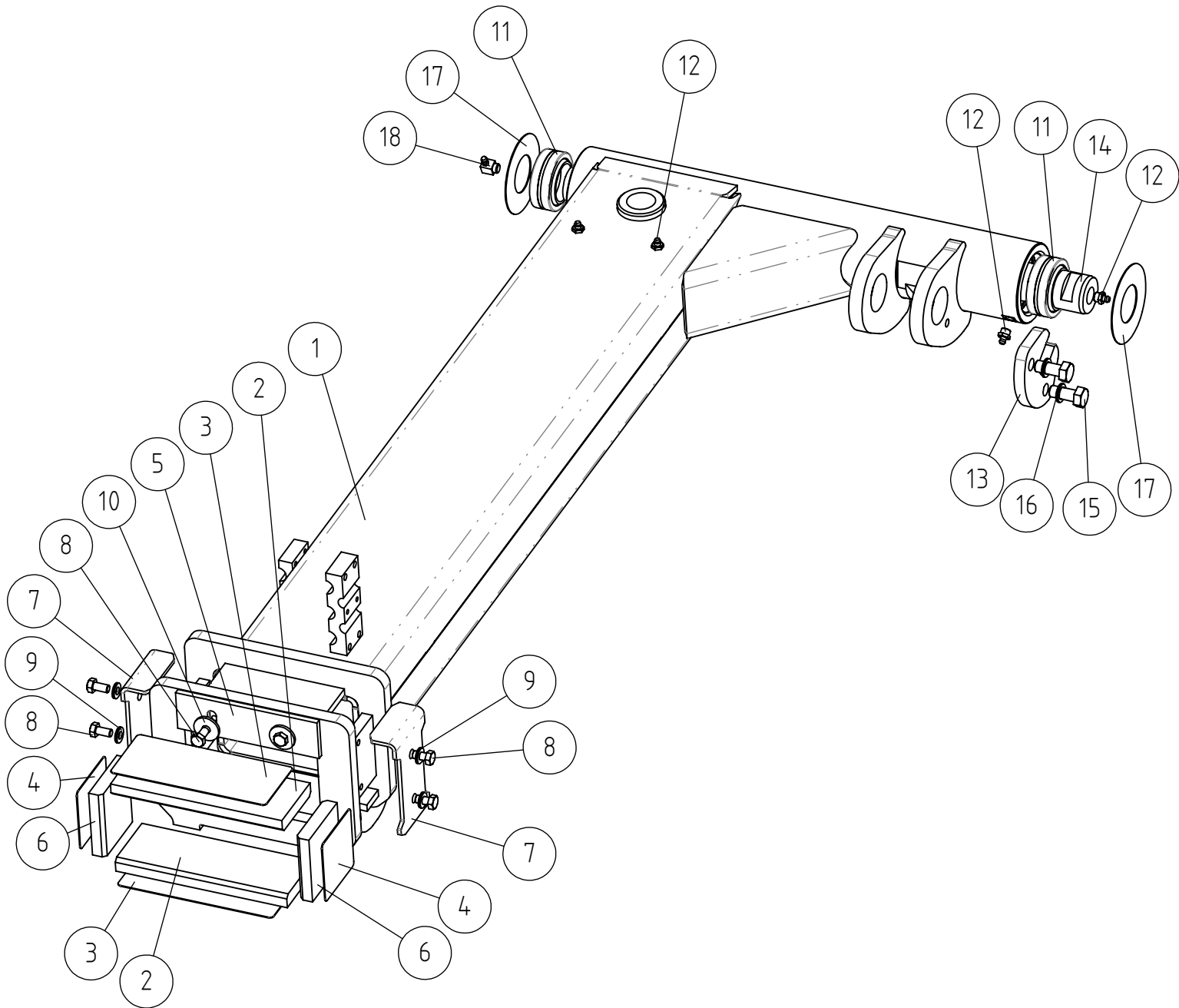
23.2.2024

A461433 TELESCOPIC BOOM COMPLETE WITH

REF	PART NO	QTY	DESCRIPTION	NOTES	PAGE
1	A461513	1	OUTER BOOM ASSEMBLY		10
2	A461598	1	INNER BOOM ASSEMBLY		12
3	A461514	1	HYDRAULIC TUBES AND HOSES TELESCOPIC		22

23.2.2024

A461513 OUTER BOOM ASSEMBLY

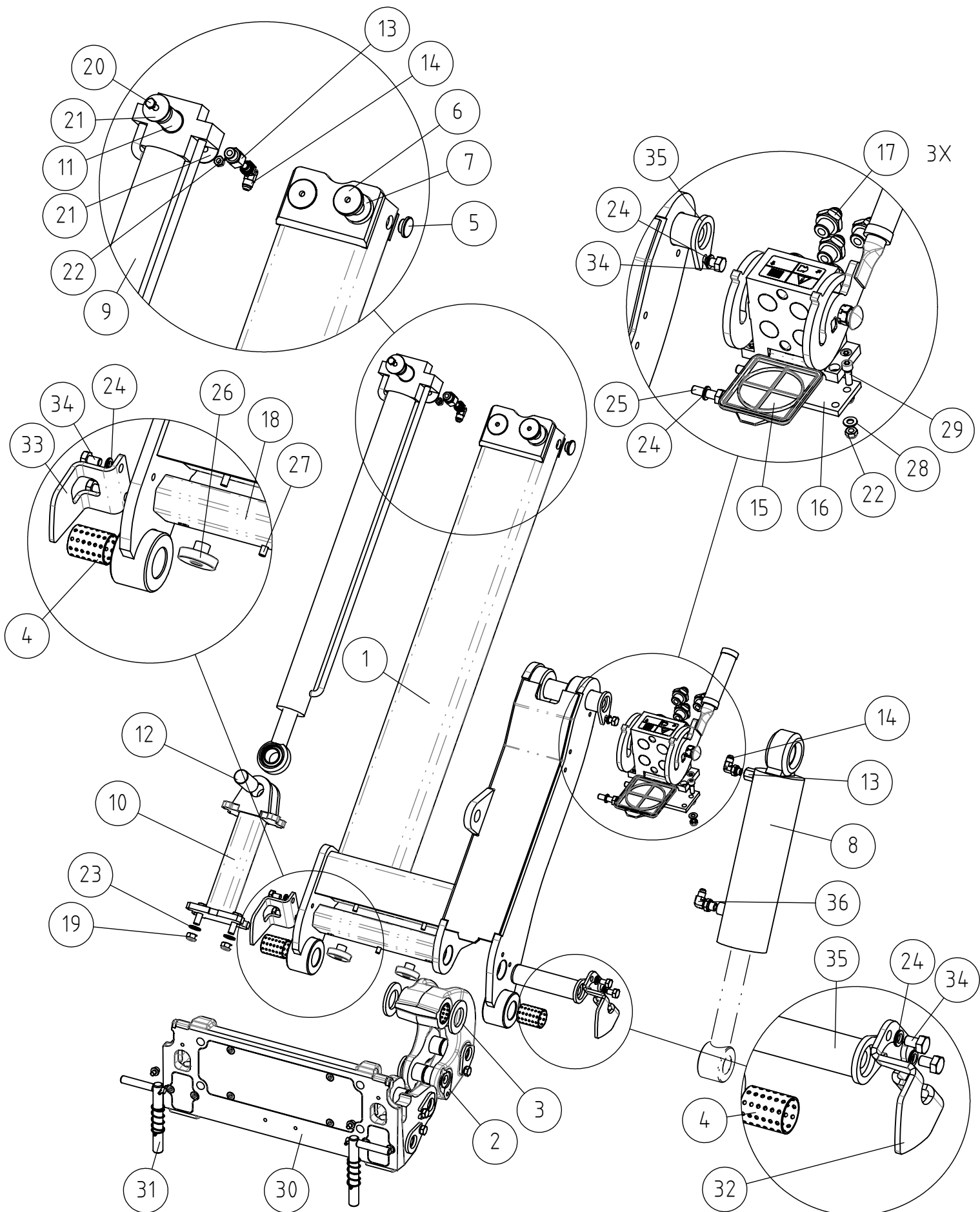


23.2.2024

A461513 OUTER BOOM ASSEMBLY

REF	PART NO	QTY	DESCRIPTION	NOTES	PAGE
1	A33604	1	OUTER BOOM		-
2	A48339	2	SLIDE PAD 15*72*194		-
3	A48014	2	ADJUSTMENT PLATE 1 MM, LONG		-
4	A48013	2	ADJUSTMENT PLATE 1 MM, SHORT		-
5	A48367	1	SCRAPER		-
6	A48340	2	SLIDE PAD 15*72*78		-
7	A48341	2	MOUNTING PLATE, SLIDE PAD		-
8	73039	6	HEXAGONAL SCREW M 8*16 DIN 933 ZN		-
9	63944	4	WASHER, PAIR, NORD-LOCK M8		-
10	71685	2	WASHER M8 R9 DIN 440 ZN		-
11	64911	2	ARTICUL. BEARING GE40ES F62/40-28(22)		-
12	72798	4	GREASE NIPPLE R 1/8" STRAIGHT		-
13	A49723	1	LOCKING PLATE		-
14	A49725	1	PIVOT PIN F40-564		-
15	72167	2	HEXAGONAL SCREW M12*30 DIN 933		-
16	74532	2	WASHER NORDLOCK NL12		-
17	A414808	2	SHIM RING S=1 MM 85/40.25 ARTICULATION		-
18	74082	1	GREASE NIPPLE R1/8" 90 DEGREE		-

A461598 INNER BOOM ASSEMBLY



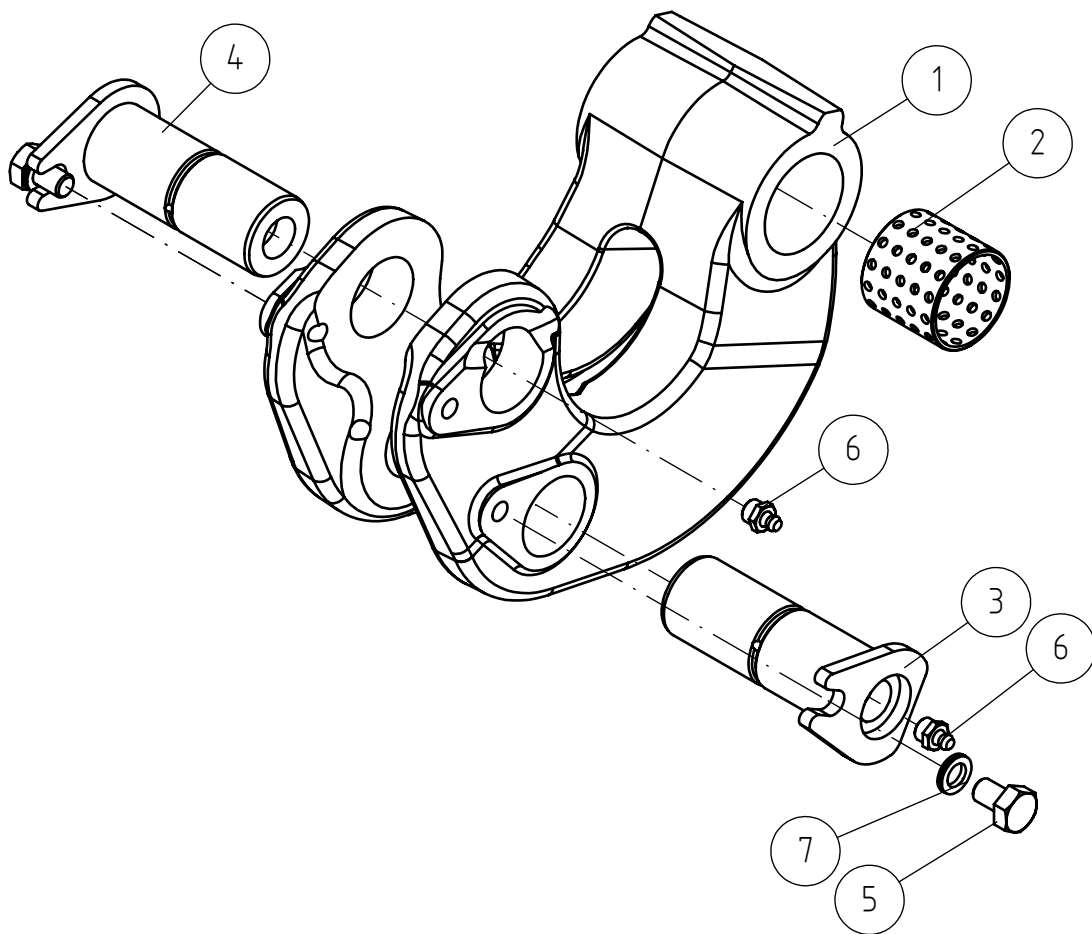
23.2.2024

A461598 INNER BOOM ASSEMBLY

REF	PART NO	QTY	DESCRIPTION	NOTES	PAGE
1	A33605	1	INNER BOOM		-
2	A436687	1	LINKAGE PIECE "BOOMERANG" CAST STEEL		14
3	A411429	2	SPACER S=6		-
4	64913	2	SLIDE BEARING BRM-80 F39/F35-50		-
5	A48343	2	ROLLER, BOOM		-
6	A47922	2	ROLLER, BOOM		-
7	A47941	2	SLIDE PLATE		-
8	A47921	1	HYDR. CYLINDER F90/F40-216		-
8.1	65005	1	SEAL KIT, CYLINDER 90/40 A47920 A47921		-
8.2	64911	1	ARTICUL. BEARING GE40ES F62/40-28(22)		-
9	A47032	1	HYDR. CYLINDER F50/F32-600		-
9.1	65004	1	SEAL KIT 50/32 CYLINDER A47032		-
9.2	64273	1	ARTICUL. BEARING GE30ESF47/30-22(18)		-
9.3	64823	1	SLIDE BEARING BRM-80 F34/F30-30		-
10	A47002	1	LINKAGE ROD, SELF LEVELING		-
11	A48489	1	PIVOT PIN F30		-
12	A47692	1	PIVOT PIN F30-66		-
13	64324	3	REDUCER FITTING RI 3/8"-EDX 1/4"		-
14	64087	3	ELBOW FITTING 90 DEGR. /4#		-
15	65252	1	MULTI CONNECTOR, ON LOADER		16
16	A410804	1	MOUNTING BRACKET, MULTI CONNECTOR LOADER		-
17	64058	3	BASIC FITTING F40XS12-1/2		-
18	A413816	1	SERVICE SUPPORT, LIFT CYLINDER		-
19	72324	2	HEXAGONAL NUT M 12 NYLOC DIN 985		-
20	74766	1	HEXAGONAL SCREW M8*140		-
21	A48492	2	WASHER M8X40		-
22	72320	5	HEXAGONAL NUT M8 NYLOC DIN 985		-
23	71691	2	WASHER M12 A13 DIN 125		-
24	74531	7	SPACER NORDLOCK M10, PAIR		-
25	74505	2	HEXAGONAL SCREW M10*35 DIN 933 ZN		-
26	64188	2	FINGER SCREW R5026M8S		-
27	72139	1	HEXAGONAL SCREW M 8*60 DIN 931		-
28	73122	4	WASHER M8 A8,4 DIN 125 ZN		-
29	71884	4	HEXAGONAL HEAD SCREW M 8*25 DIN 912 2		-
30	A436576	1	ATTACHMENT COUPLING PLATE CAST STEEL		18
31	A436614	1	LOCKING PIN ASSEMBLY ATTACHM COUPL PLATE		20
32	A430655	1	RELEASE PLATE		-
33	A432890	1	RELEASE PLATE RIGHT		-
34	72147	5	HEXAGONAL SCREW M 10*16 DIN 933		-
35	A47042	2	PIVOT PIN F40-147		-
36	64044	1	ELBOW FITTING 90° C40XS10-3/8 /8		-

23.2.2024

A436687 LINKAGE PIECE "BOOMERANG" CAST STEEL



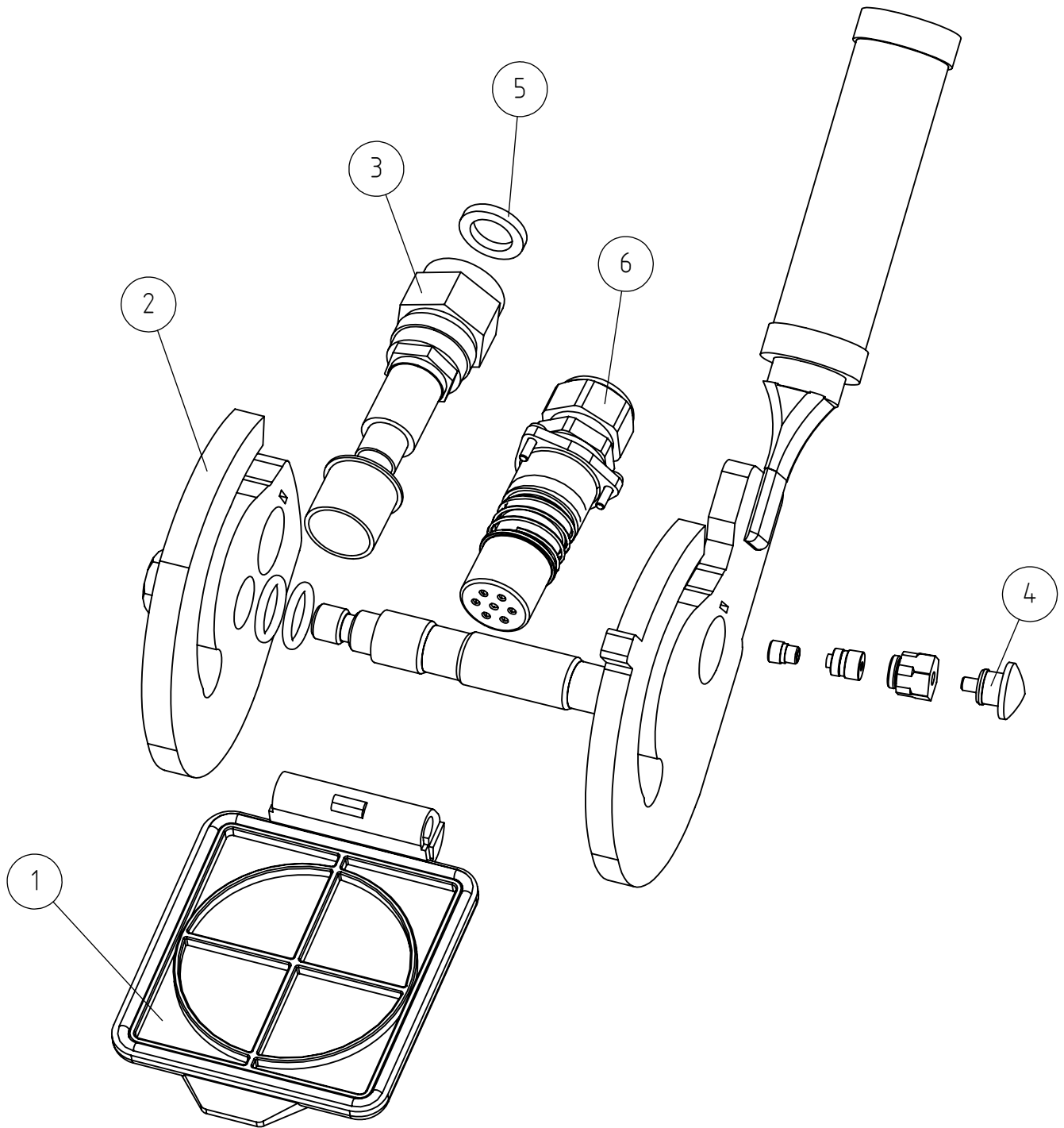
23.2.2024

A436687 LINKAGE PIECE "BOOMERANG" CAST STEEL

REF	PART NO	QTY	DESCRIPTION	NOTES	PAGE
1	A435456	1	LINKAGE PIECE "BOOMERANG" CAST STEEL ADI		-
2	64912	2	SLIDE BEARING BRM-80 TF44/F40-40		-
3	A430579	1	PIVOT PIN 35-103		-
4	A430582	1	PIVOT PIN 35-92		-
5	72147	2	HEXAGONAL SCREW M 10*16 DIN 933		-
6	72798	2	GREASE NIPPLE R 1/8" STRAIGHT		-
7	74531	2	SPACER NORDLOCK M10, PAIR		-

23.2.2024

65252 MULTI CONNECTOR, ON LOADER



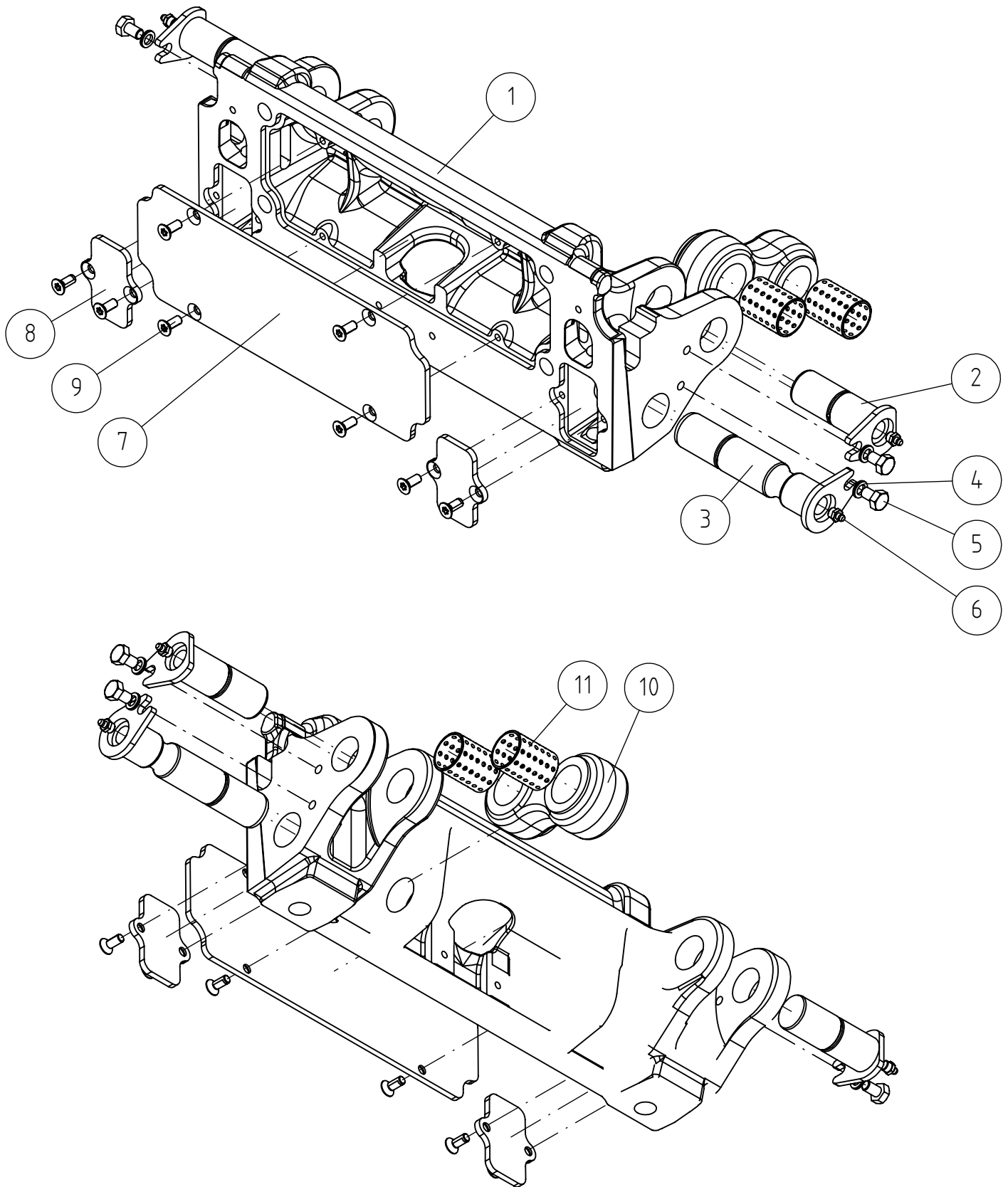
23.2.2024

65252 MULTI CONNECTOR, ON LOADER

REF	PART NO	QTY	DESCRIPTION	NOTES	PAGE
1	65882	1	CAP PLATE, KIT, MULTI CONNECTOR		-
2	65884	1	HANDLE, KIT, MULTI CONNECTOR ON LOADER		-
3	65881	1	QUICK COUPLER, ON MULTI CONNECTOR		-
4	65883	1	SAFETY BUTTON, KIT, MULTI CONNECTOR		-
5	65880	1	SEAL RING, MULTI CONNECTOR SK MF 12		-
6	75035	1	ELECTRIC CONNECTOR FEMININE, FASTER		-

23.2.2024

A436576 ATTACHMENT COUPLING PLATE CAST STEEL



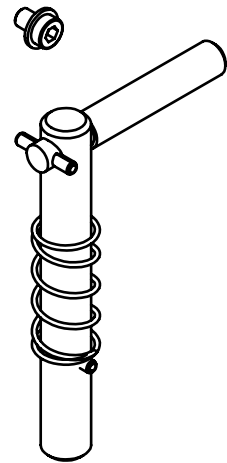
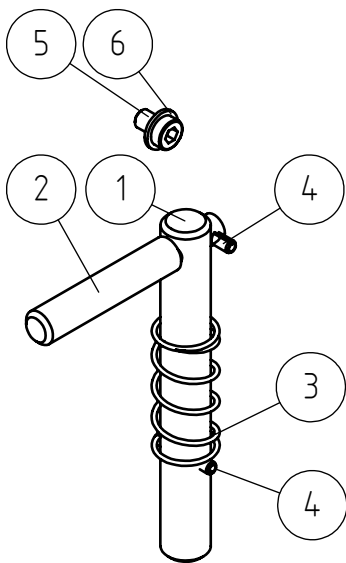
23.2.2024

A436576 ATTACHMENT COUPLING PLATE CAST STEEL

REF	PART NO	QTY	DESCRIPTION	NOTES	PAGE
1	A21749	1	ATTACHMENT COUPLING PLATE CAST STEEL		-
2	A412814	2	PIVOT PIN F35-98		-
3	A427469	1	PIVOT PIN 35-175		-
4	74531	3	SPACER NORDLOCK M10, PAIR		-
5	72147	3	HEXAGONAL SCREW M 10*16 DIN 933		-
6	72798	3	GREASE NIPPLE R 1/8" STRAIGHT		-
7	A427458	1	COVERING PLATE 378X127 ATTACHM COUPL PLA		-
8	A427464	2	COVERING PLATE 87X47 ATTACHM COUPL PLATE		-
9	A441215	8	THREAD-FORMING SCREW M8*20 ISO 14581		-
10	A430010	1	LINKAGE PIECE 500/600 SERIES		-
11	64913	2	SLIDE BEARING BRM-80 F39/F35-50		-

23.2.2024

A436614 LOCKING PIN ASSEMBLY ATTACHM COUPL PLATE

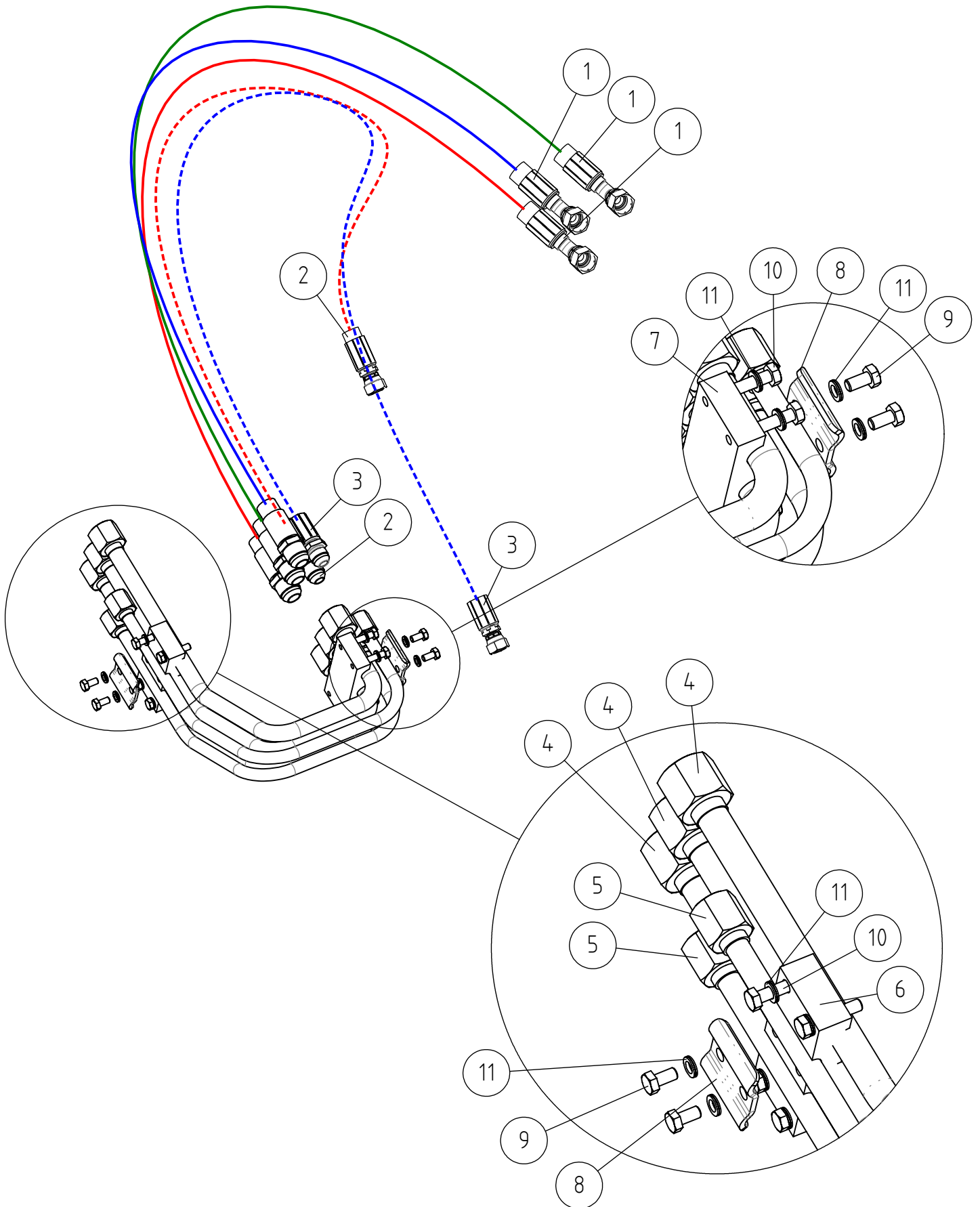


23.2.2024

A436614 LOCKING PIN ASSEMBLY ATTACHM COUPL PLATE

REF	PART NO	QTY	DESCRIPTION	NOTES	PAGE
1	A47687	2	LOCKING PIN F20		-
2	A47688	2	LATCH PIN		-
3	64138	2	COMPRESSION SPRIG DIN 2098 2*25*135		-
4	73661	4	SPRING PIN 5*30 DIN 1481		-
5	74932	2	HEXAGONAL HEAD SCREW M8*12		-
6	73122	2	WASHER M8 A8,4 DIN 125 ZN		-

A461514 HYDRAULIC TUBES AND HOSES TELESCOPIC



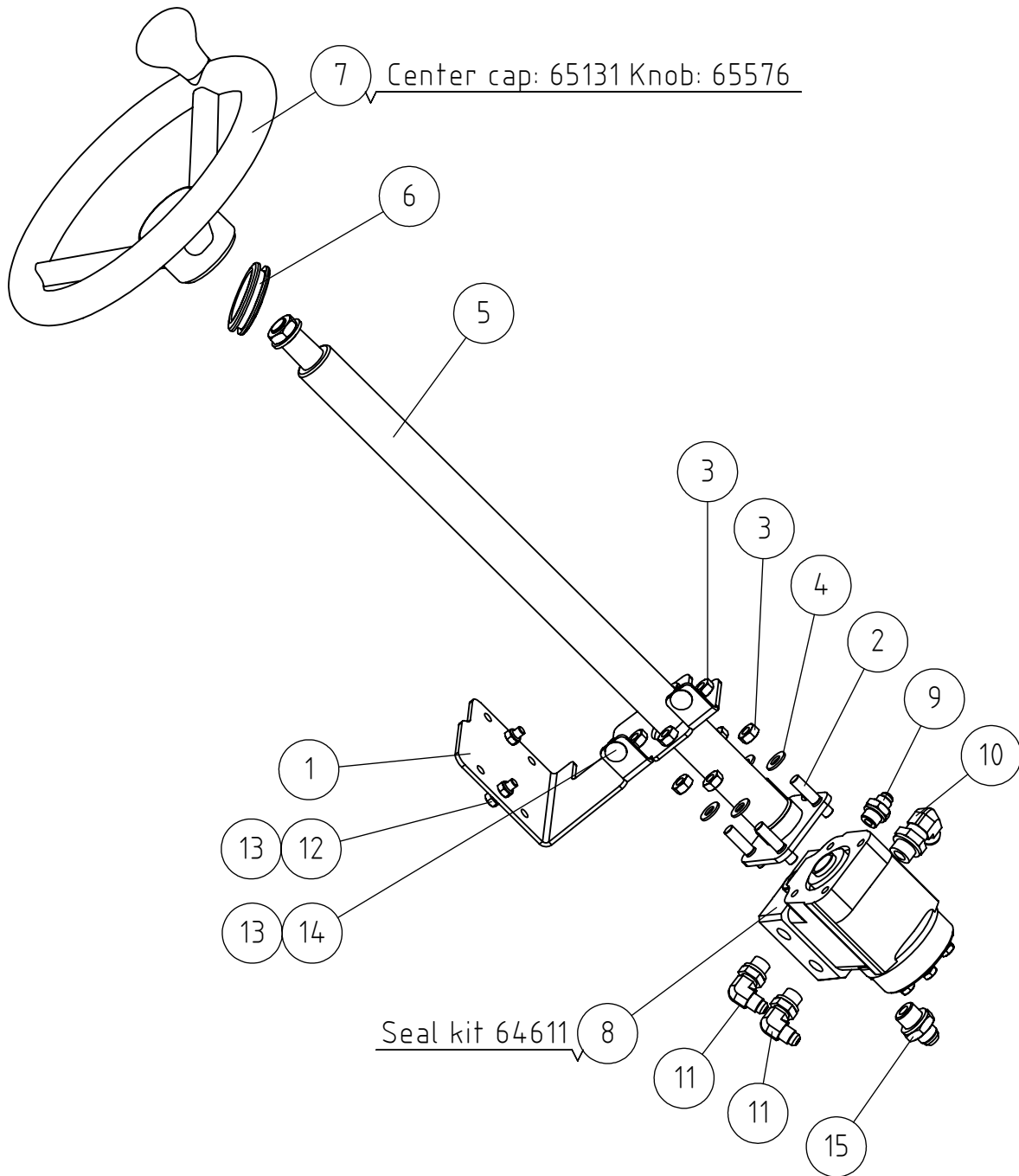
23.2.2024

A461514 HYDRAULIC TUBES AND HOSES TELESCOPIC

REF	PART NO	QTY	DESCRIPTION	NOTES	PAGE
1	A414911	3	HYDR. HOSE L=1150 2LW-08		-
2	A414912	1	HYDR. HOSE L=1250 2LW-06		-
3	A414913	1	HYDR. HOSE L=1550 2LW-06		-
4	A47559	3	HYDRAULIC PIPE F16		-
5	A47560	2	HYDRAULIC PIPE F12		-
6	A47562	1	BRACKET, HYDR.PIPE F16/F12		-
7	A47561	1	BRACKET, HYDR. PIPE F16		-
8	A47563	2	BRACKET, HYDR.PIPE F12		-
9	72116	4	HEXAGONAL SCREW M 6*12 DIN 933 ZN		-
10	73199	8	HEXAGONAL SCREW M6*30 DIN 933		-
11	74530	12	WASHER NORDLOCK NL6		-

23.2.2024

A452574 STEERING COLUMN ASSEMBLY

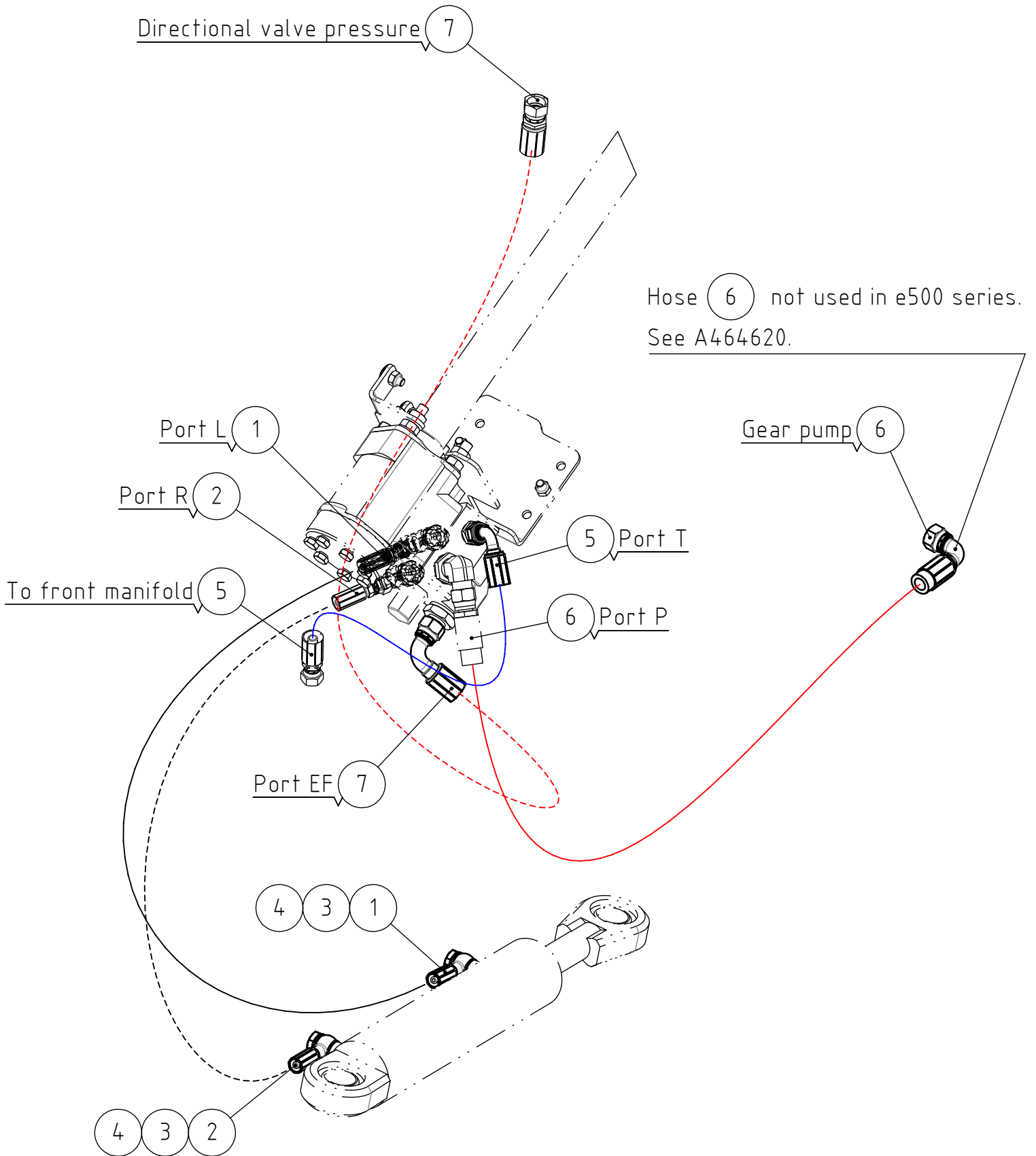


23.2.2024

A452574 STEERING COLUMN ASSEMBLY

REF	PART NO	QTY	DESCRIPTION	NOTES	PAGE
1	A446052	1	BRACKET ORBITROL 500-700 SERIES		-
2	74587	4	STUD M10* 35 DIN 939		-
3	72321	8	HEXAGONAL NUT M10 DIN 934		-
4	73121	4	WASHER M10 A10,5 DIN 125 ZN		-
5	66233	1	STEERING WHEEL ROD M+S KK650 -I		-
6	A428827	1	RUBBER BUSHING STEERING COLUMN		-
7	65076	1	STEERING WHEEL "AVANT" F320		-
7.1	65131	1	CENTER CAP, STEERING WHEEL		-
7.2	65576	1	KNOB, STEERING WHEEL, COBO 0034.1130		-
8	64178	1	CONTROL BLOCK M+S HKUS 80/5-140+PRDD80/7		-
8.1	A430819	1	HEXAGONAL HEAD SCREW M10*1*45 ORBITROL		-
8.2	64611	1	SEAL KIT 41 5137 0130 M+S HKUS ORBITROL		-
8.3	64612	1	SEAL KIT, PRIORITY VALVE / ORBITROL M+S		-
9	64041	1	BASIC FITTING F40XS10-3/8 /8		-
10	64045	1	ELBOW FITTING 90° C40XS12-1/2 /2		-
11	64044	2	ELBOW FITTING 90° C40XS10-3/8 /8		-
12	72132	2	HEXAGONAL SCREW M 8*25 DIN 933 ZN		-
13	72320	4	HEXAGONAL NUT M8 NYLOC DIN 985		-
14	74836	2	CARRIAGE BOLT M8*20		-
15	64058	1	BASIC FITTING F40XS12-1/2		-

A449399 HYDR. HOSES ORBITROL

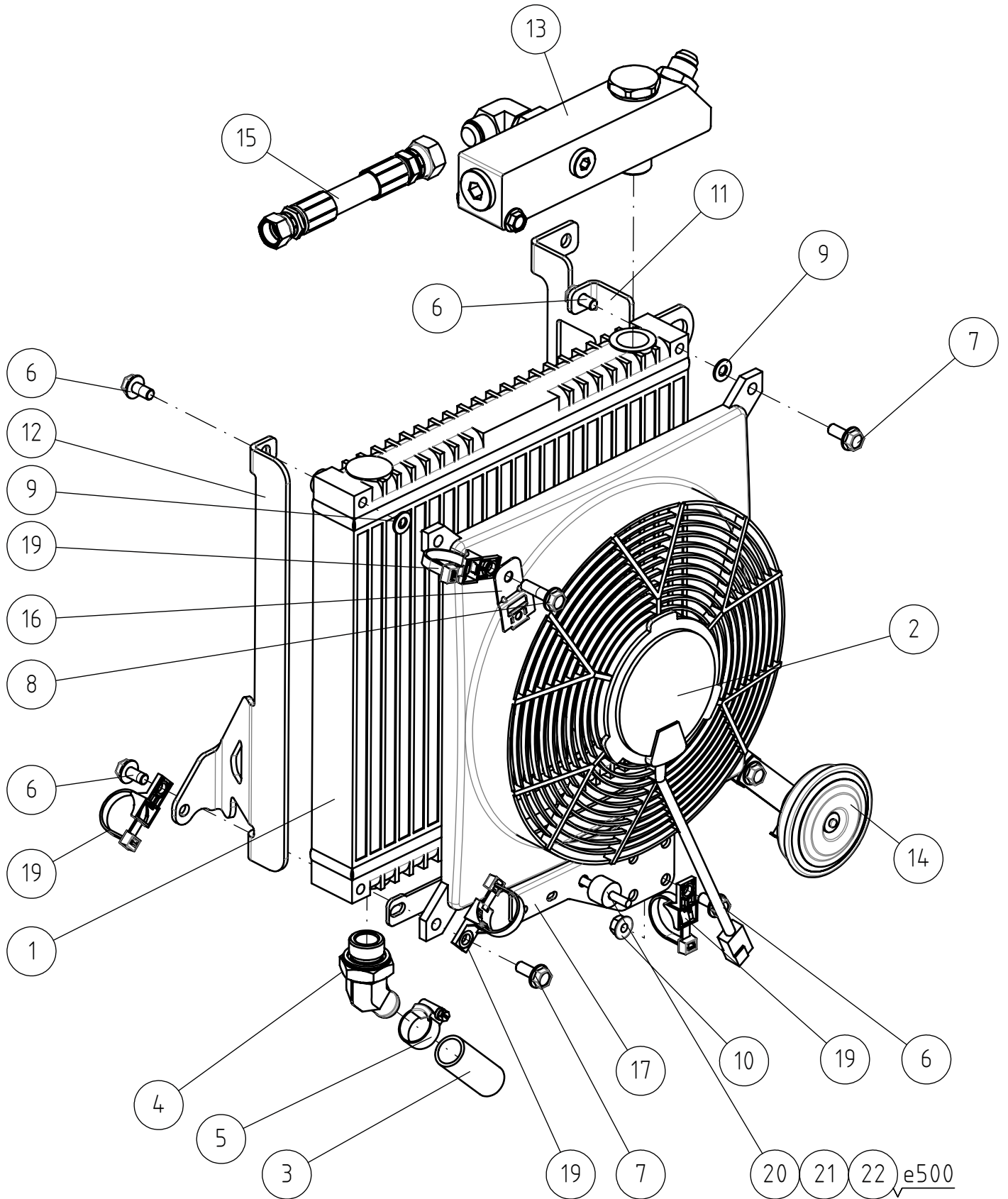


23.2.2024

A449399 HYDR. HOSES ORBITROL

REF	PART NO	QTY	DESCRIPTION	NOTES	PAGE
1	A462712	1	HYDR. HOSE L=1100		-
2	A462714	1	HYDR. HOSE L=850		-
3	64557	2	BANJO BOLT R 1/4"		-
4	73757	4	USIT COMPRESSION R1/4"		-
5	A434556	1	HYDR. HOSE L=500		-
6	A47633	1	HYDR. HOSE L=1110 2LW-08 JIC12-JIC12 90		-
7	A434549	1	HYDR. HOSE L=1450		-

A458427 HYDRAULIC OIL COOLER ASSEMBLY



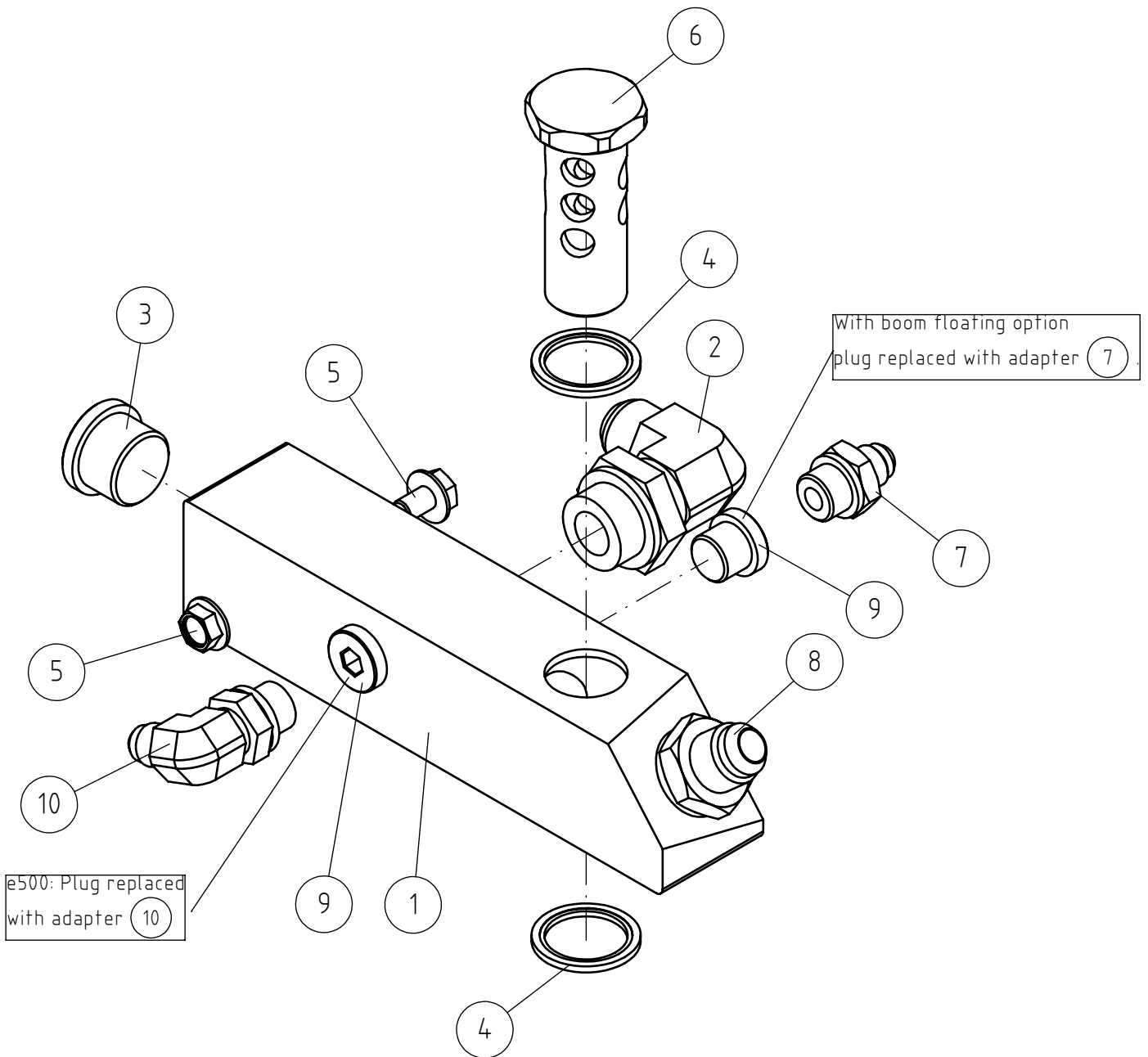
e500

23.2.2024

A458427 HYDRAULIC OIL COOLER ASSEMBLY

REF	PART NO	QTY	DESCRIPTION	NOTES	PAGE
1	64934	1	OIL COOLER CELL ASA 350*350*45		-
2	65568	1	FAN, HYDRAULIC OIL COOLER COMEX F48-		-
3	A49182	1	INLET HOSE D=20 L=550		-
4	66361	1	HOSE BARB 45° R3/4"UK - 20MM		-
5	73530	1	HOSE CLAMP 22-32 MM		-
6	A429200	5	HEXAGONAL SERRATED SCREW M8*16 WITH		-
7	A429201	3	HEXAGONAL SERRATED SCREW M8*20 WITH		-
8	A429203	1	HEXAGONAL SERRATED SCREW M8*30 WITH		-
9	73122	2	WASHER M8 A8,4 DIN 125 ZN		-
10	A450046	1	HEXAGONAL NUT M8 WITH FLANGE		-
11	A446011	1	BRACKET, UPPER, HYDR. OIL COOLER		-
12	A446012	1	BRACKET, LOWER, HYDR. OIL COOLER		-
13	A458426	1	HYDRAULIC MANIFOLD ASSEMBLY TANK LINE		30
14	64157	1	SIGNAL HORN COMPLETE		-
15	A457140	1	HYDR. HOSE L=650		-
16	A451560	1	BRACKET CONNECTOR PLUG		-
17	A449902	1	MOUNTING BRACKET ACCUMULATOR		-
18	A413262	1	BUSHING F19/F10, FLOOR RAISING, 700		-
19	A442641	4	CABLE TIE 7,6*390 M8 BLACK		-
20	A445490	1	VIBRATION DAMPER D20X15		-
21	71681	1	WASHER M6 DIN 440		-
22	A452923	1	HEXAGONAL NUT M6 DIN 6923		-

A458426 HYDRAULIC MANIFOLD ASSEMBLY TANK LINE



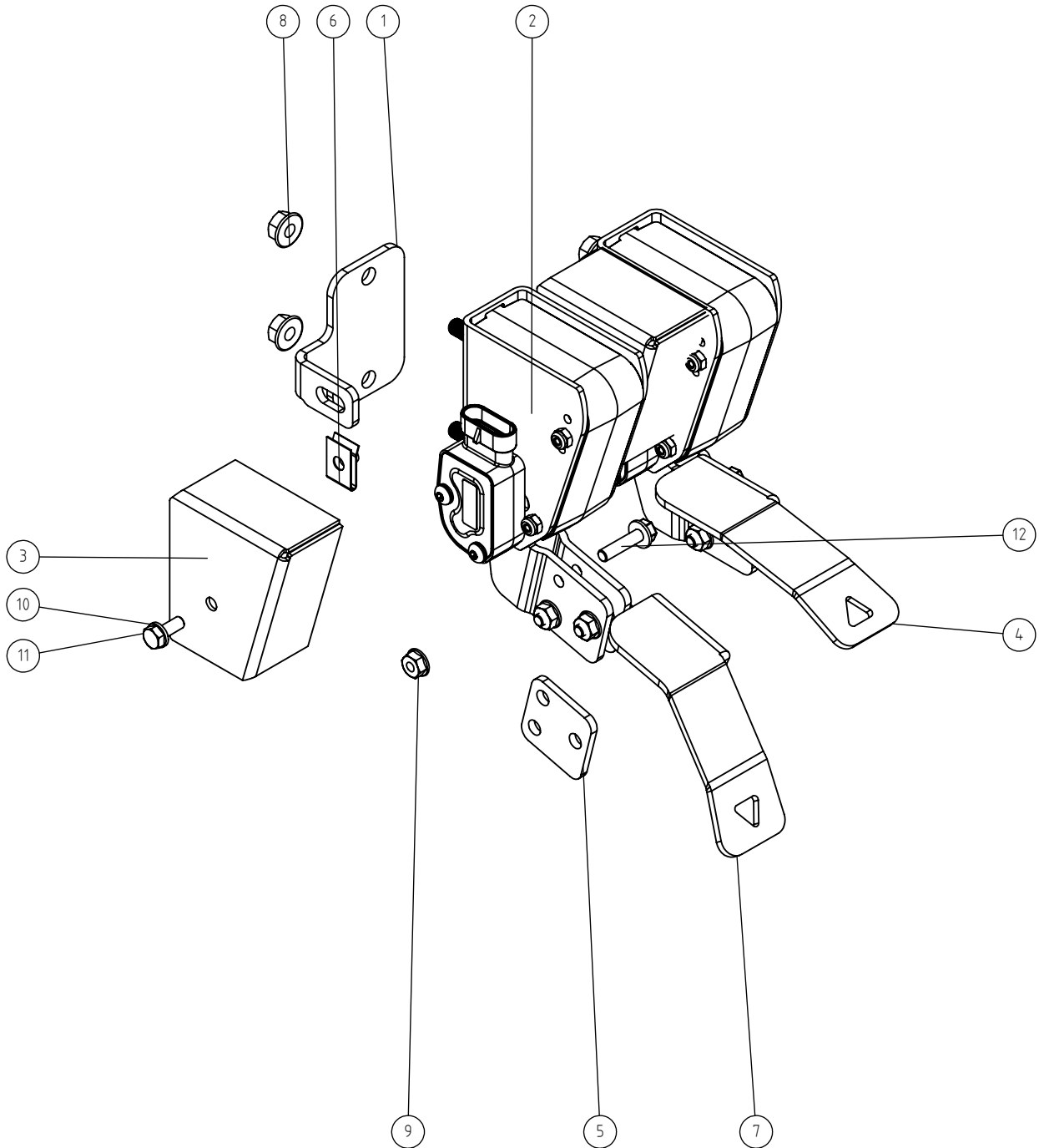
23.2.2024

A458426 HYDRAULIC MANIFOLD ASSEMBLY TANK LINE

REF	PART NO	QTY	DESCRIPTION	NOTES	PAGE
1	A449626	1	HYDRAULIC MANIFOLD TANK LINE		-
2	64693	1	ELBOW FITTING 90 DEGR. C40XS16-3/4"		-
3	73768	1	HEXAGONAL PLUG HF-3/4" WITH SEAL		-
4	74976	2	SEAL USIT R3/4" F35,3*F27,0*2,0		-
5	A429197	2	HEXAGONAL SERRATED SCREW M8*12 W. FLANGE		-
6	A449633	1	BANJO BOLT R3/4" TANK LINE		-
7	64041	1	BASIC FITTING F40XS10-3/8 /8		-
8	65060	1	BASIC FITTING F40XS16-1/2		-
9	74411	2	HEXAGONAL PLUG HF 3/8" HTUNG		-
10	64044	1	ELBOW FITTING 90° C40XS10-3/8 /8		-

23.2.2024

A428569 DRIVE PEDAL ASSEMBLY AVANT E SERIES GEN2

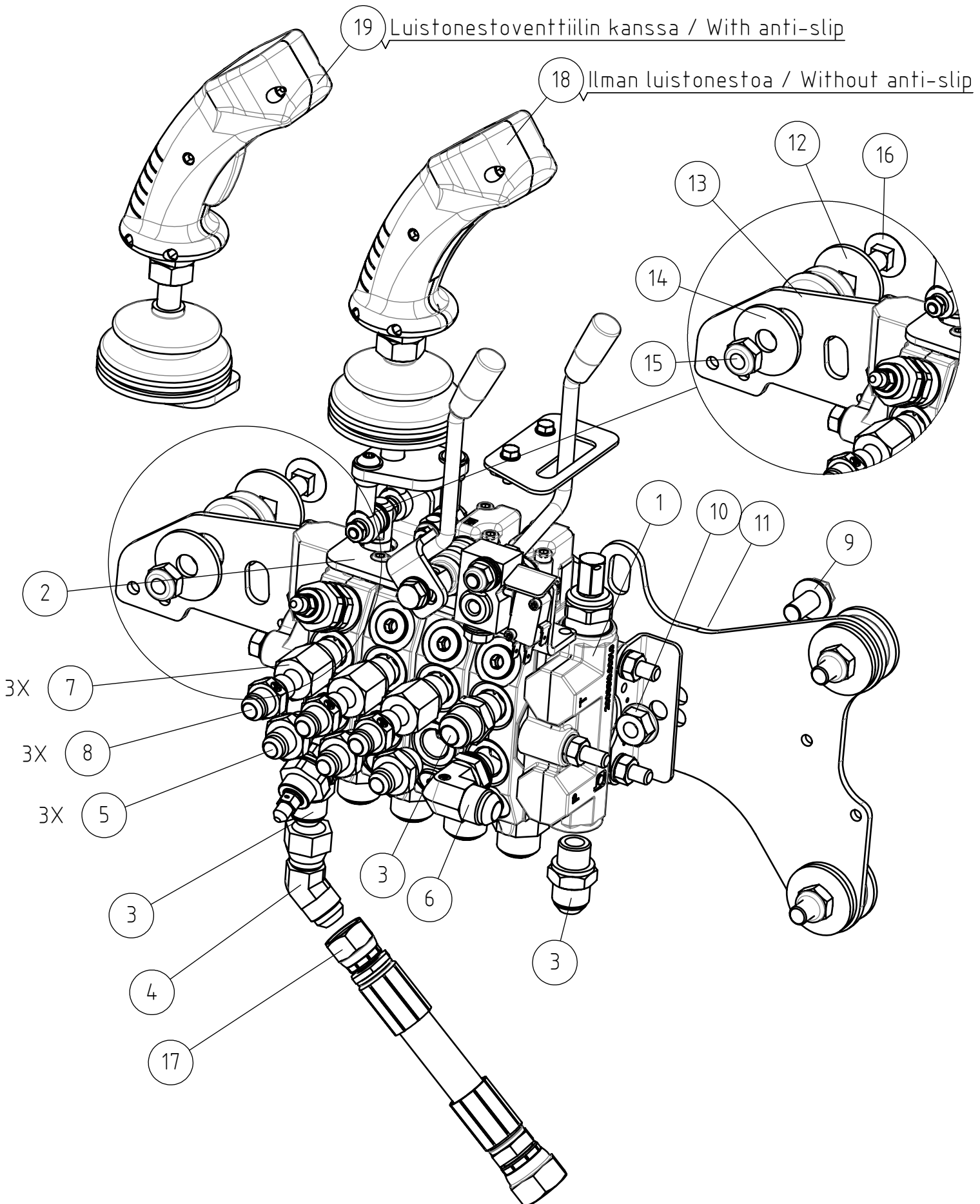


23.2.2024

A428569 DRIVE PEDAL ASSEMBLY AVANT E SERIES GEN2

REF	PART NO	QTY	DESCRIPTION	NOTES	PAGE
1	A428477	2	SPACER PLATE DRIVE PEDALS E SERIES		-
2	A426318	2	DRIVE PEDAL ELECTRONIC E SERIES		-
3	A427590	2	PROTECTIVE PLATE DRIVE PEDALS E SERIES		-
4	A428471	1	PEDAL FORWARD DRIVE E SERIES		-
5	A426757	2	SPACER PEDALS E SERIES		-
6	74807	2	SPEED NUT M6, FOR 0.5-4.0 MM PLATE		-
7	A428394	1	PEDAL BACKWARD DRIVE E SERIES		-
8	74782	4	HEXAGONAL NUT M8 WITH FLANGE		-
9	74781	6	HEXAGONAL NUT M6 WITH FLANGE		-
10	71680	2	WASHER M6 DIN 125		-
11	72117	2	HEXAGONAL SCREW M6*16 DIN 933		-
12	A431349	6	HEXAGONAL SERRATED SCREW M6*20 W. FLANG		-

A460843 CONTROL VALVE HDS11 ASSEMBLY MANUAL



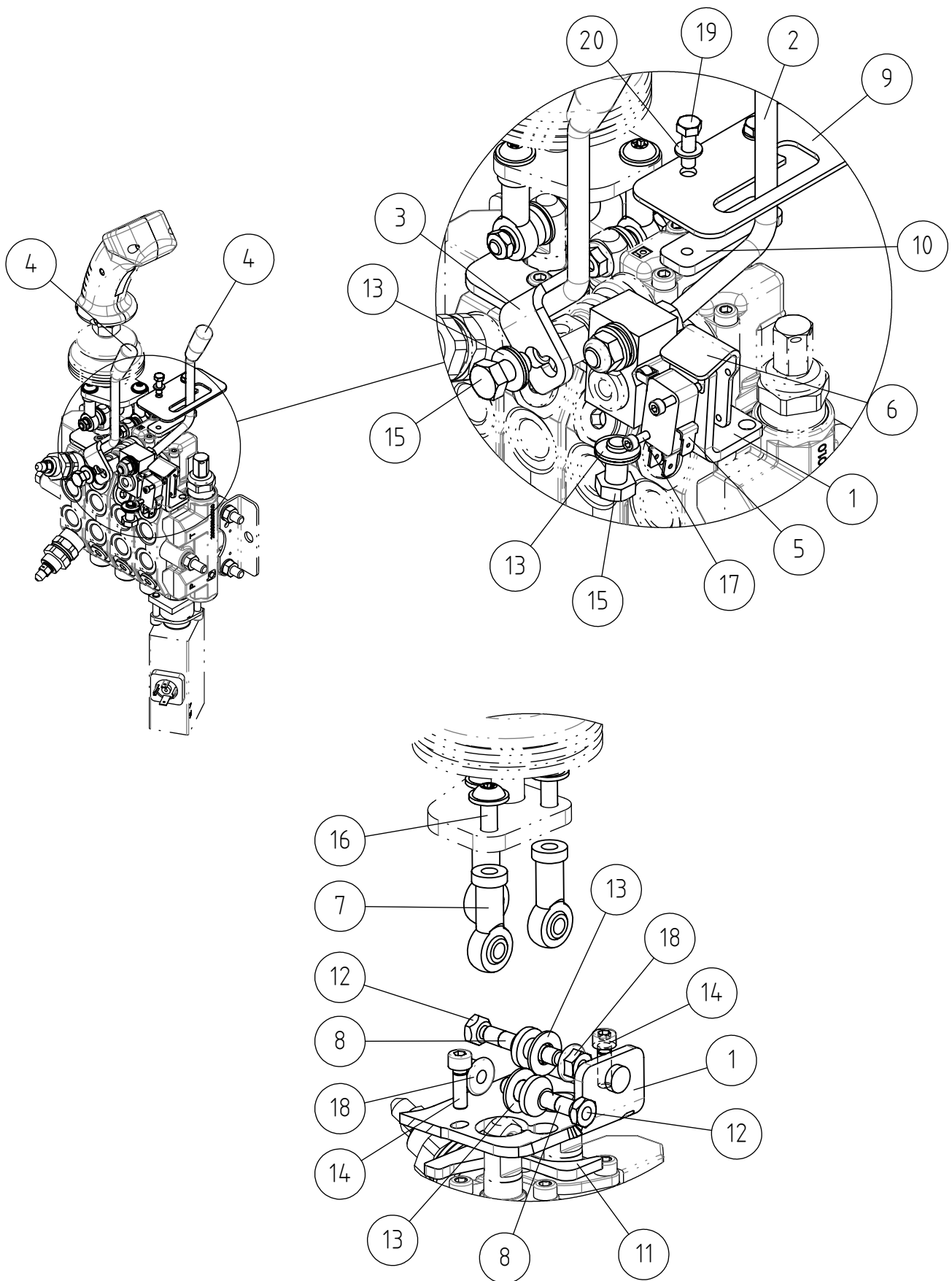
23.2.2024

A460843 CONTROL VALVE HDS11 ASSEMBLY MANUAL

REF	PART NO	QTY	DESCRIPTION	NOTES	PAGE
1	A453635	1	CONTROL VALVE HDS 11/4 MANUAL		-
2	A460740	1	CONTROL LEVERS & JOINTS HDS11 ASSEMBLY		36
3	64042	3	BASIC FITTING F40XS12-3/8 /8		-
4	64884	1	ELBOW FITTING 45 DEGR. V6SX12		-
5	64041	3	BASIC FITTING F40XS10-3/8 /8		-
6	64068	1	ELBOW FITTING 90 DEGR. C40XS12-3/8 /8		-
7	64324	3	REDUCER FITTING RI 3/8"-EDX 1/4"		-
8	64059	3	BASIC FITTING F40XS10-1/4		-
9	A432196	2	HEXAGONAL SERRATED SCREW M10*20 W. FLANG		-
10	74783	2	HEXAGONAL NUT M10 WITH FLANGE		-
11	A457134	1	MOUNTING PLATE CONTROL VALVE HDS11		-
12	A431029	3	SPACER 3MM		-
13	A431033	3	VIBRATION DAMPER SCBR 45SH		-
14	A431034	3	WASHER Ø38/12,5, S=3 SCBR 38		-
15	72322	3	HEXAGONAL NUT M 10 NYLOC DIN 985		-
16	A437458	3	CARRIAGE BOLT M10*50 DIN603		-
17	A457140	1	HYDR. HOSE L=650		-
18	A460791	1	JOYSTICK MANUAL ASSEMBLY		38
19	A424267	1	JOYSTICK STANDARD WITH ANTI SLIP SWITCH		-

23.2.2024

A460740 CONTROL LEVERS & JOINTS HDS11 ASSEMBLY

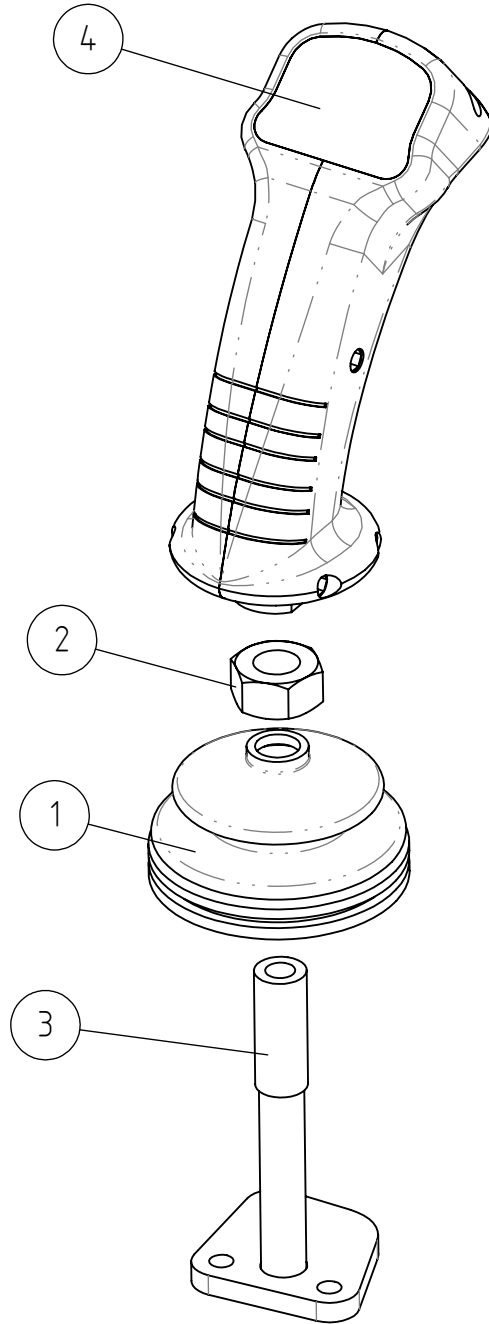


23.2.2024

A460740 CONTROL LEVERS & JOINTS HDS11 ASSEMBLY

REF	PART NO	QTY	DESCRIPTION	NOTES	PAGE
1	A460443	1	BRACKET 400-500 SERIES		-
2	A458893	1	CONTROL LEVER ASSEMBLY EXTRA FRONT HYDR.		-
3	A457107	1	CONTROL LEVER TELEBOOM		-
4	74761	2	KNOB, CONTROL LEVER		-
5	64504	1	MICROSWITCH		-
6	A449831	1	TIGHTENING PLATE MICROSWITCH		-
7	65501	3	ROD END JAF 6		-
8	A41821	2	PIN, CONTROL LEVERS		-
9	A441528	1	LOCKING PLATE CONTROL LEVER AUXILIARY		-
10	A48360	1	LOCKING PIECE		-
11	A462106	1	SUPPORT PLATE CONTROL LEVERS		-
12	A41822	2	LEVERAGE NUT M 6		-
13	63944	3	WASHER, PAIR, NORD-LOCK M8		-
14	74472	2	HEXAGONAL HEAD SCREW M 5*16 DIN 912 ZN		-
15	73039	2	HEXAGONAL SCREW M 8*16 DIN 933 ZN		-
16	A442149	3	THREAD-FORMING SCREW M6*16 BN219-8.8		-
17	A435740	2	HEXAGONAL HEAD SCREW M3*20 DIN 912		-
18	A452923	2	HEXAGONAL NUT M6 DIN 6923		-
19	72110	2	HEX. SCREW M5*16 DIN 933		-
20	74448	2	WASHER M5 A5,3 DIN 125 ZN		-

A460791 JOYSTICK MANUAL ASSEMBLY



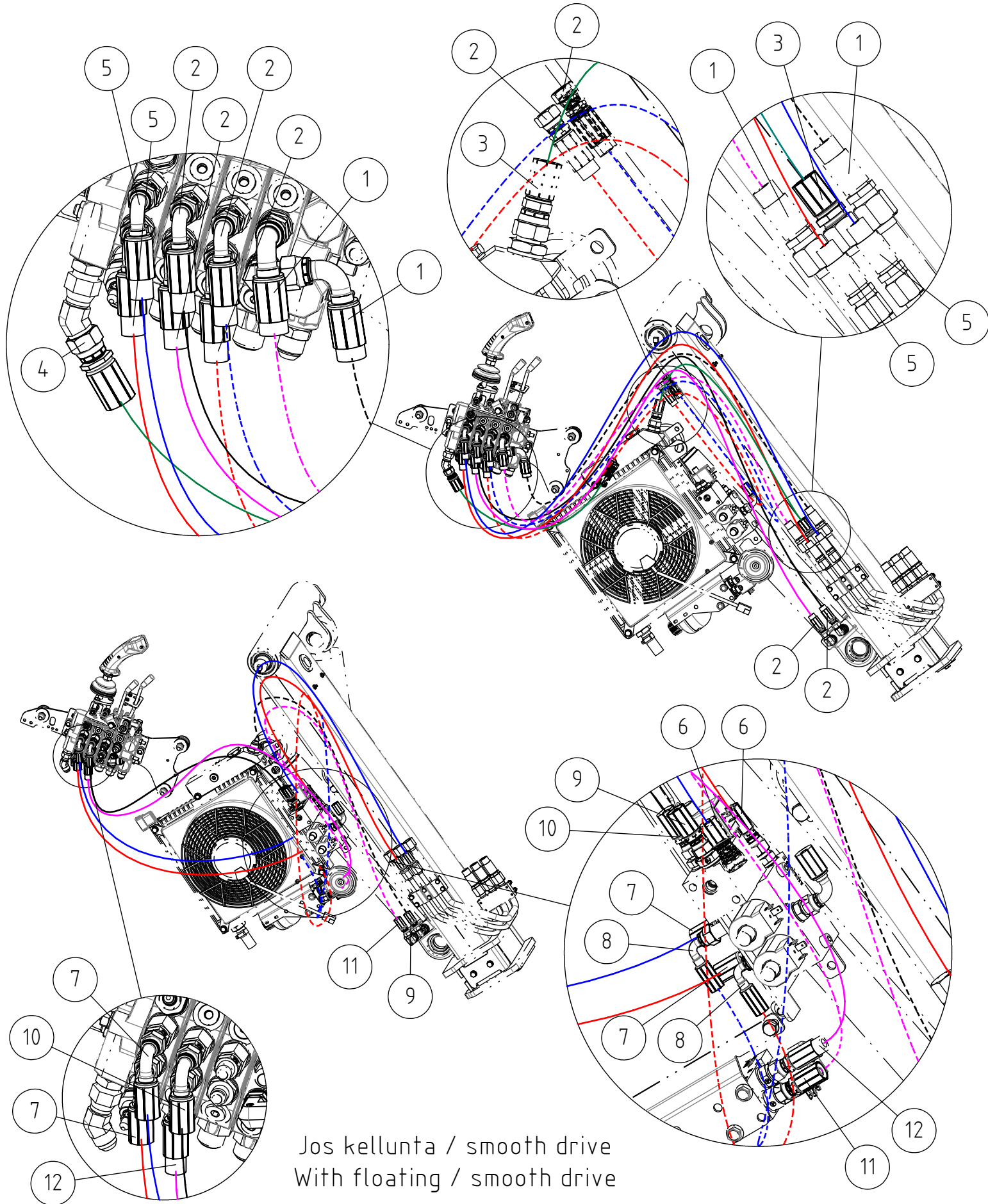
23.2.2024

A460791 JOYSTICK MANUAL ASSEMBLY

REF	PART NO	QTY	DESCRIPTION	NOTES	PAGE
1	74327	1	RUBBER COVER, CONTROL LEVER, F12/56*40		-
2	74676	1	HEXAGONAL NUT M 14*1,5 DIN 934 ZN		-
3	A410614	1	BRACKET ROD, CONTROL LEVER		-
4	A410556	1	JOYSTICK HANDLE HB000		-

23.2.2024

A461285 HYDRAULIC HOSES CONTROL VALVE - BOOM

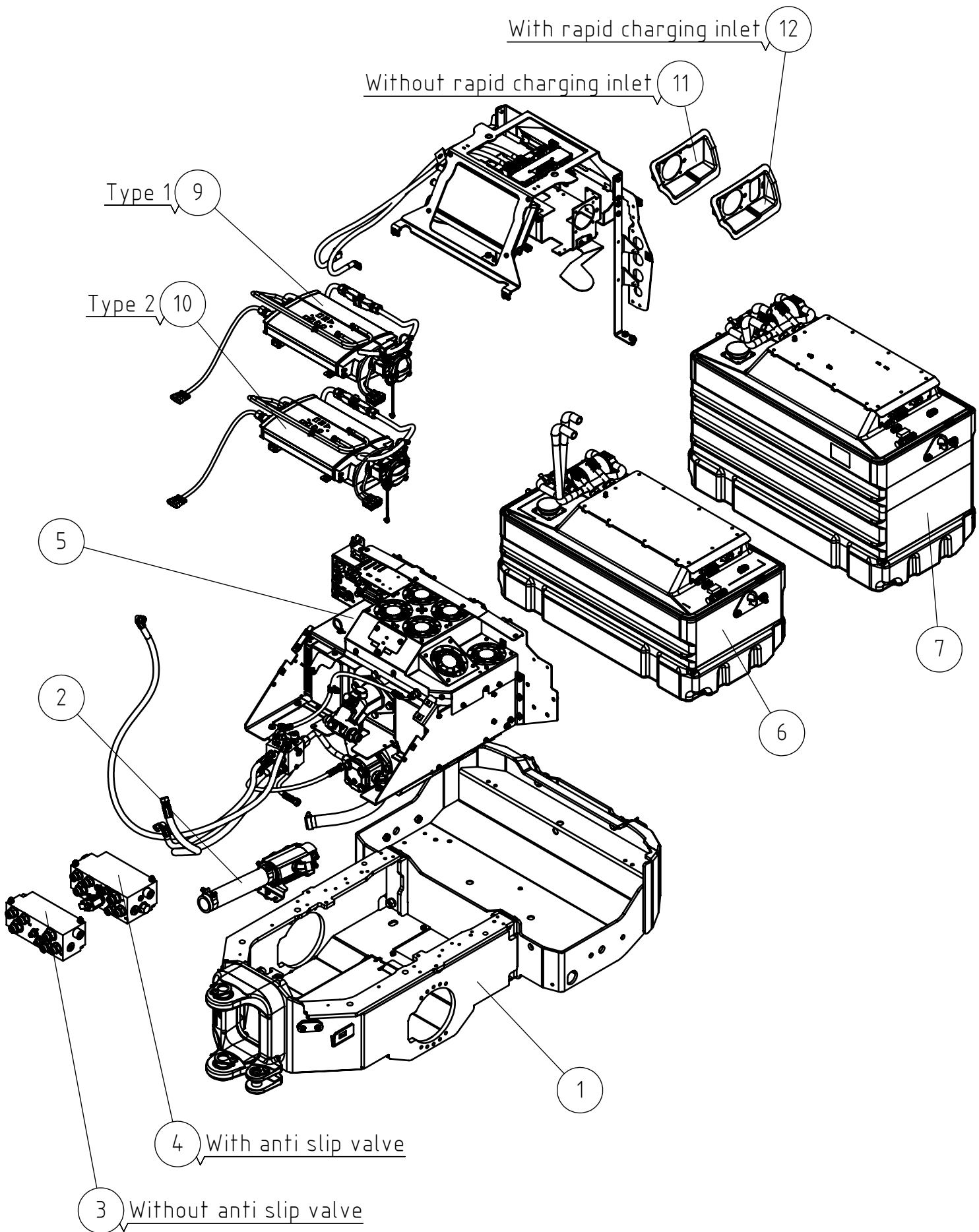


23.2.2024

A461285 HYDRAULIC HOSES CONTROL VALVE - BOOM

REF	PART NO	QTY	DESCRIPTION	NOTES	PAGE
1	A414729	2	HYDR. HOSE L=1700		-
2	A47635	4	HYDR. HOSE L=1720 2LW-06		-
3	A446841	1	HYDR. HOSE L=820		-
4	A457140	1	HYDR. HOSE L=650		-
5	A47638	2	HYDR. HOSE L=1610 2LW-06		-
6	A456237	2	HYDR. HOSE L=1150		-
7	A456235	2	HYDR. HOSE L=930		-
8	A436991	2	HYDR. HOSE L=1350		-
9	A450402	1	HYDR. HOSE L=1270		-
10	A445095	1	HYDR. HOSE L=880		-
11	A446813	1	HYDR. HOSE L=1650		-
12	A414045	1	HYDR. HOSE L=1300		-

A465491 REAR FRAME WITH ACCESSORIES ASSEMBLY



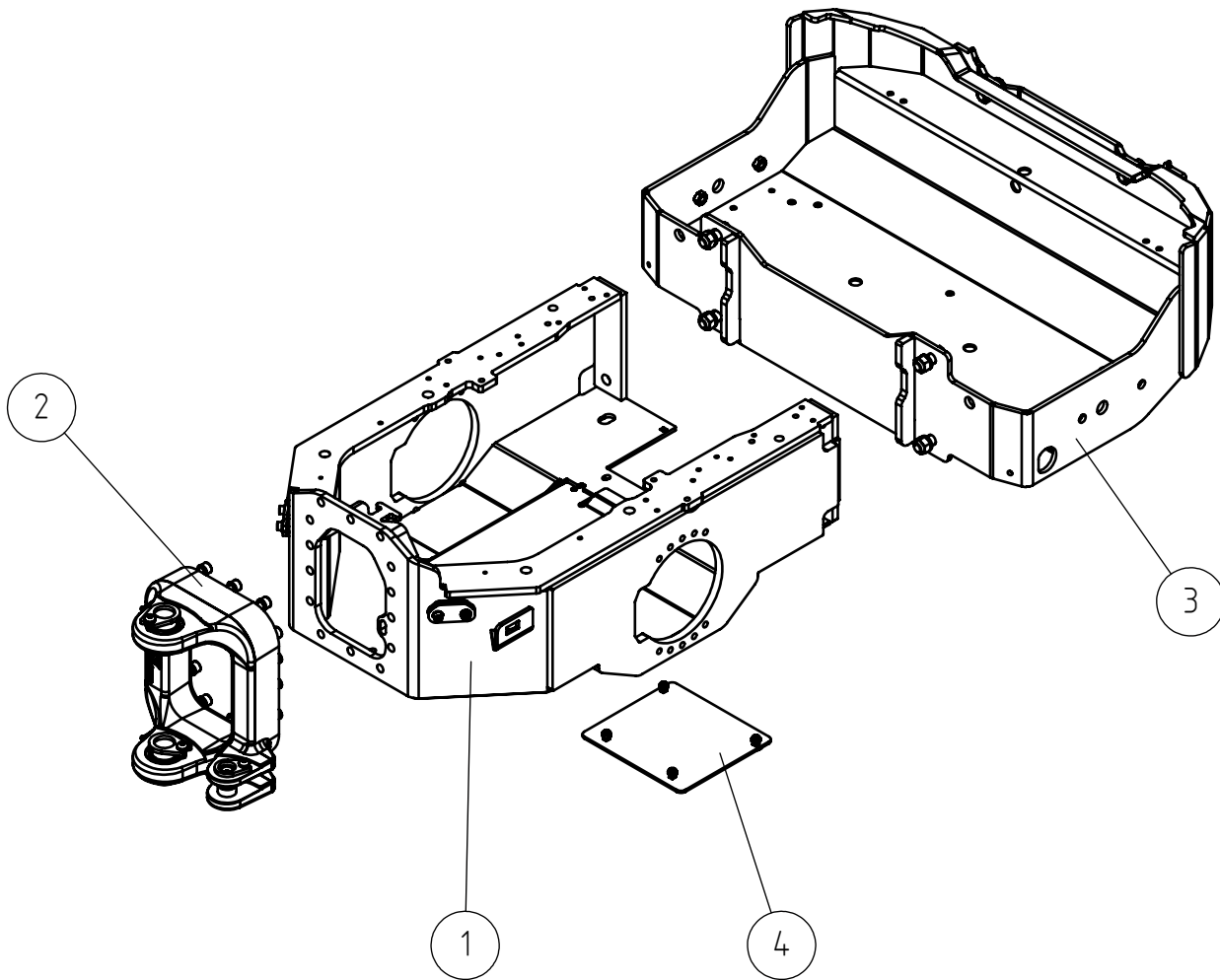
23.2.2024

A465491 REAR FRAME WITH ACCESSORIES ASSEMBLY

REF	PART NO	QTY	DESCRIPTION	NOTES	PAGE
1	A464303	1	REAR FRAME STEEL CHASSIS ASSEMBLY E500		44
2	A457898	1	HYDRAULIC MANIFOLD ASSEMBLY E500 SERIES		52
3	A464642	1	HYDRAULIC MANIFOLD DRIVE WITHOUT ANTI		54
4	A464643	1	HYDRAULIC MANIFOLD DRIVE WITH ANTI SLIP		56
5	A457215	1	MOTOR BAY ASSEMBLY E500		58
6	A458935	1	BATTERY 13KWH AVANT OPTITEMP		-
7	A458226	1	BATTERY 27KWH AVANT OPTITEMP		-
8	A464317	1	MOUNTING FRAME REAR ASSEMBLY E500		78
9	A465588	1	BATTERY CHARGER ON-BOARD WITH TYPE 1		84
10	A464697	1	BATTERY CHARGER ON-BOARD WITH TYPE 2		86
11	A457932	1	COWL PANEL ABS CHARGING INLET TYPE 2		-
12	A464203	1	CHARGING INLET PANEL, TYPE 2 & DIN 320		-

23.2.2024

A464303 REAR FRAME STEEL CHASSIS ASSEMBLY E500



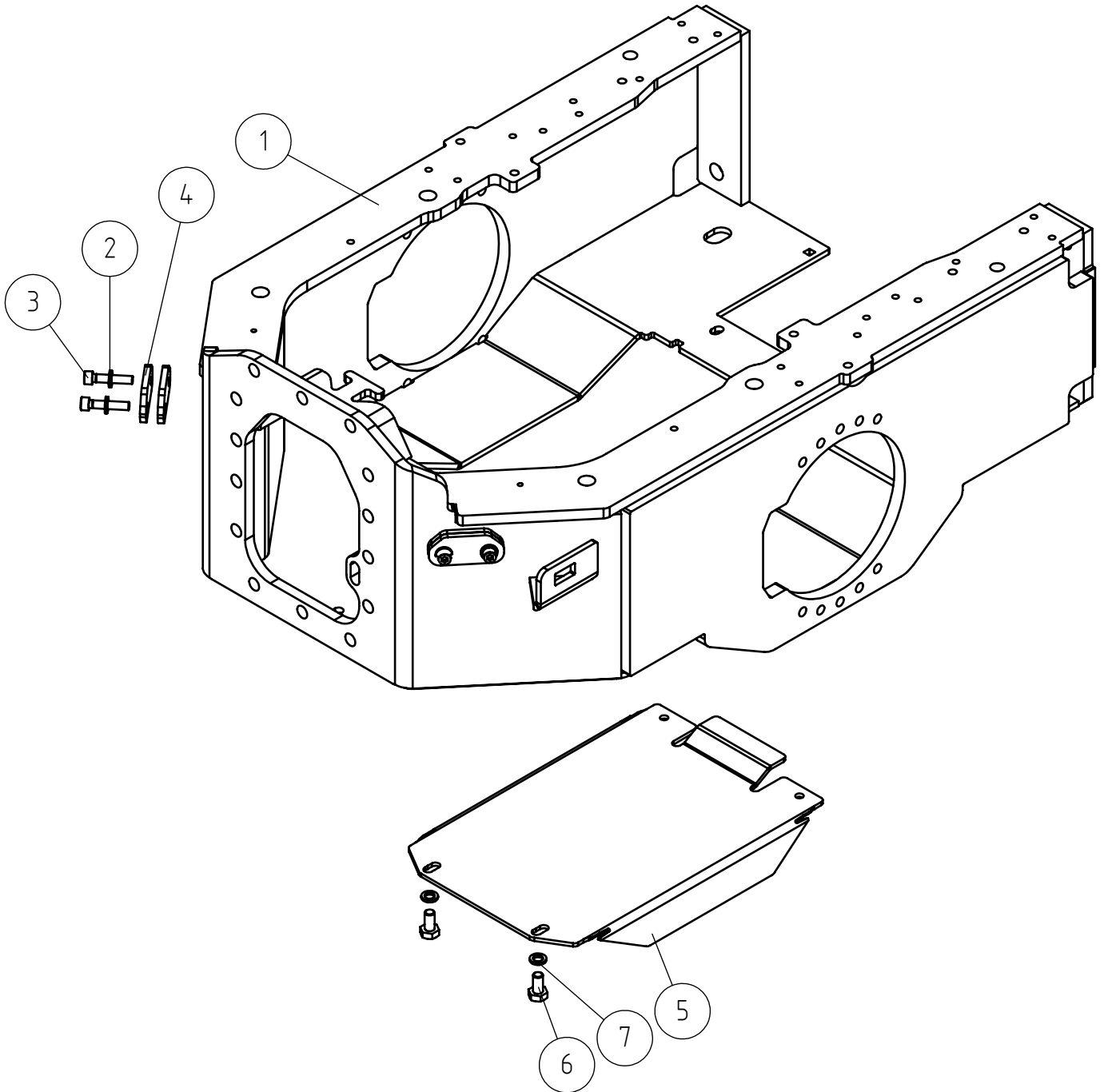
23.2.2024

A464303 REAR FRAME STEEL CHASSIS ASSEMBLY E500

REF	PART NO	QTY	DESCRIPTION	NOTES	PAGE
1	A461332	1	REAR FRAME FRONT PART ASSEMBLY 400-650I		46
2	A37449	1	ARTICULATION JOINT ASSEMBL REAR FRAME		48
3	A464306	1	REAR FRAME REAR PART ASSEMBLY E500		50
4	A451015	1			-

23.2.2024

A461332 REAR FRAME FRONT PART ASSEMBLY 400-650I

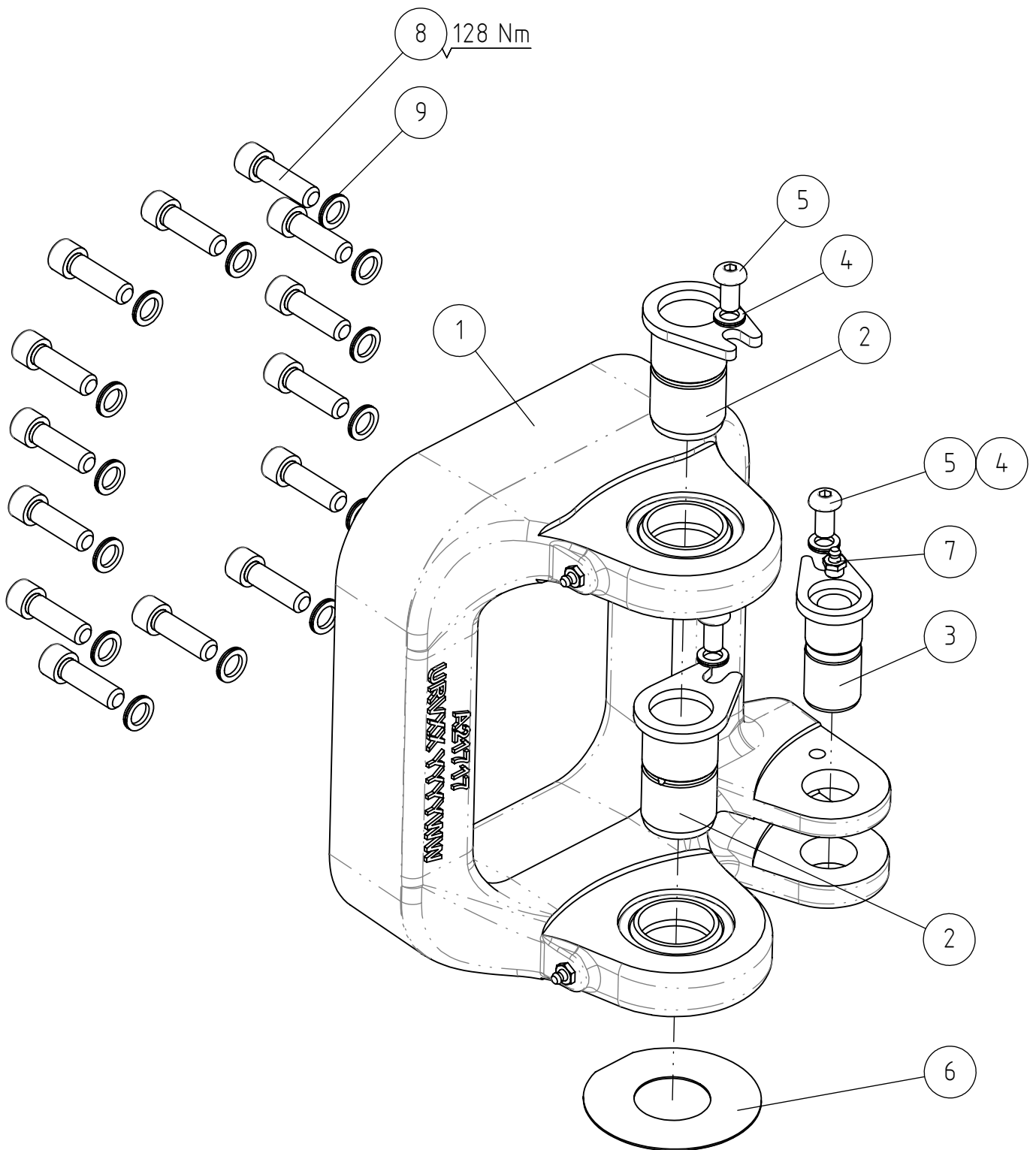


23.2.2024

A461332 REAR FRAME FRONT PART ASSEMBLY 400-650I

REF	PART NO	QTY	DESCRIPTION	NOTES	PAGE
1	A434401	1	REAR FRAME, FRONT PART ASSEMBLY		-
2	63944	4	WASHER, PAIR, NORD-LOCK M8		-
3	74918	4	HEXAGONAL HEAD SCREW M8*40 DIN 912		-
4	A442049	4	STOP PLATE STEERING		-
5	A446658	1	SERVICE HATCH 400-700 SERIES		-
6	73040	2	HEXAGONAL SCREW M10*20 DIN 933 ZN		-
7	74531	2	SPACER NORDLOCK M10, PAIR		-

A37449 ARTICULATION JOINT ASSEMBL REAR FRAME



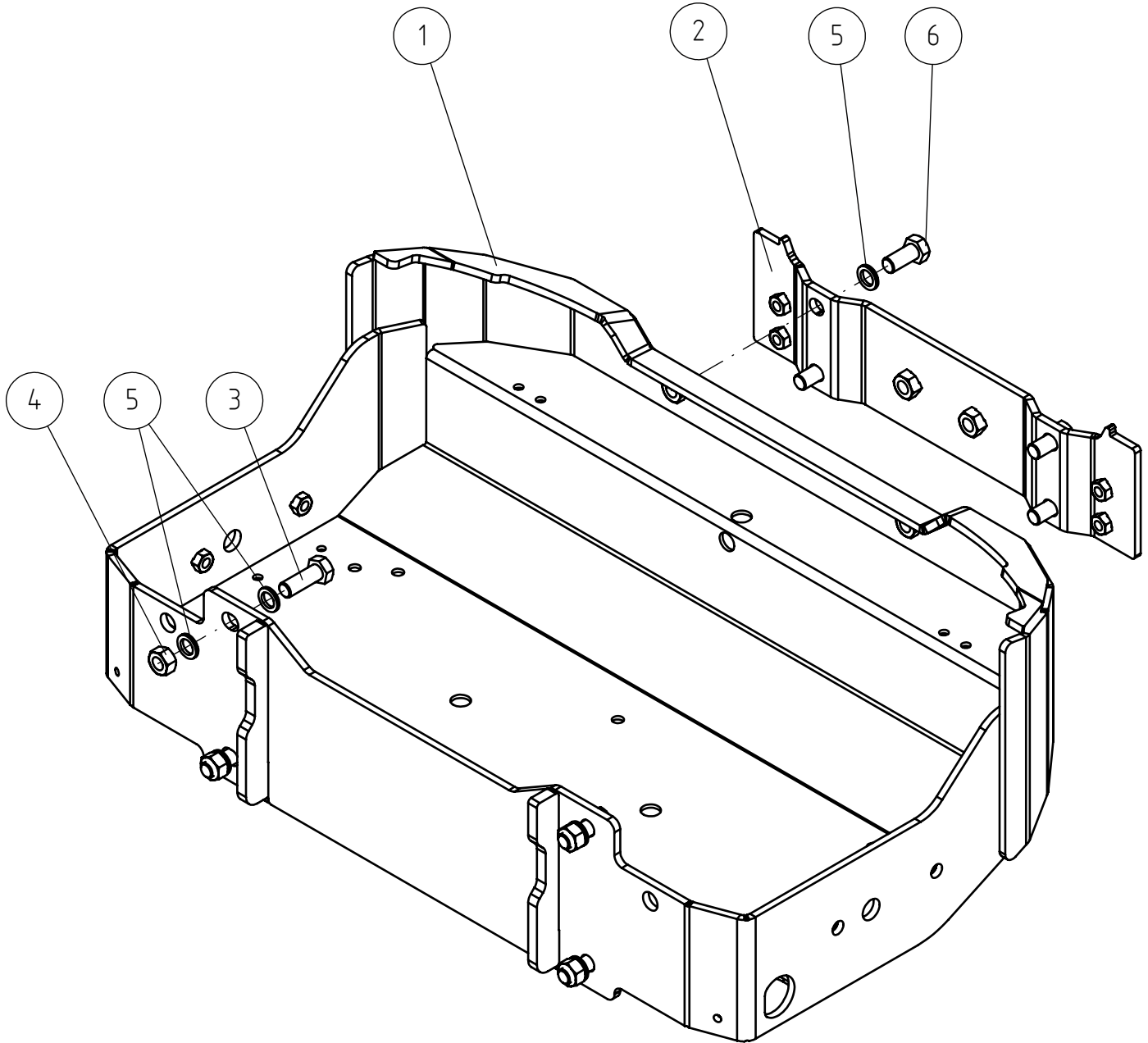
23.2.2024

A37449 ARTICULATION JOINT ASSEMBL REAR FRAME

REF	PART NO	QTY	DESCRIPTION	NOTES	PAGE
1	A444363	1	ARTICULATION JOINT CAST STEEL, ASSEMBLY		-
1.1	64911	2	ARTICUL. BEARING GE40ES F62/40-28(22)		-
2	A47043	2	PIVOT PIN F40-63		-
3	A47655	1	PIVOT PIN F30-60		-
4	74531	3	SPACER NORDLOCK M10, PAIR		-
5	A437915	3	HEXAGONAL HEAD SCREW M10*20 10.9 2		-
6	A48263	1	SHIM RING S=1 MM, ARTICULATION JOINT		-
7	72798	1	GREASE NIPPLE R 1/8" STRAIGHT		-
8	A437018	14	HEXAGONAL HEAD SCREW M12*40 12.9		-
9	74532	14	WASHER NORDLOCK NL12		-

23.2.2024

A464306 REAR FRAME REAR PART ASSEMBLY E500



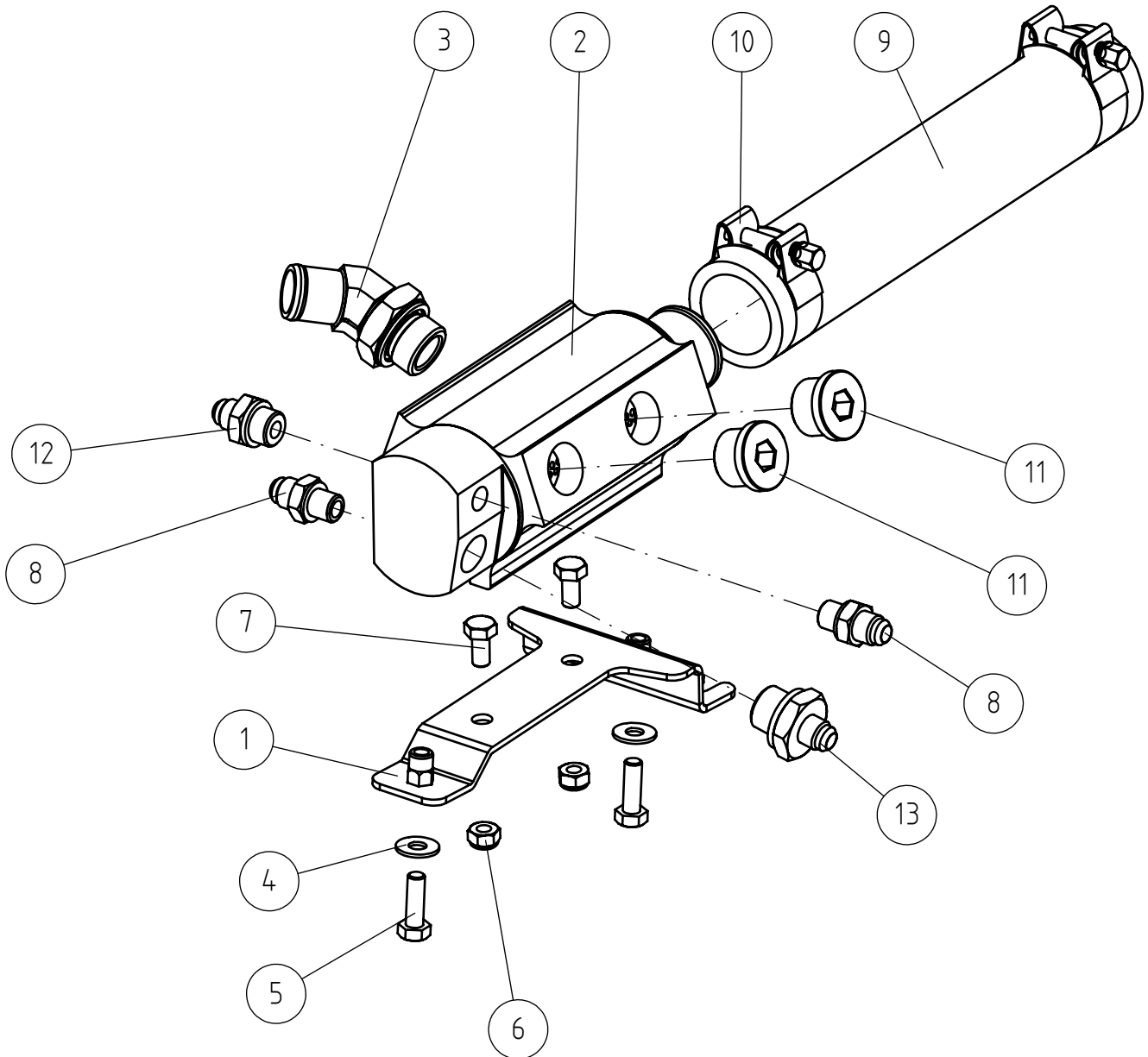
23.2.2024

A464306 REAR FRAME REAR PART ASSEMBLY E500

REF	PART NO	QTY	DESCRIPTION	NOTES	PAGE
1	A37114	1	BACK FRAME, E SERIES		-
2	A419683	1	MOUNTING PLATE, BACK WEIGHT 29 KG		-
3	A439220	4	HEXAGONAL SCREW M16*45 10.9 DIN 933		-
4	72329	4	HEXAGONAL NUT M 16 DIN 934		-
5	74533	12	WASHER, PAIR, M16 NL16 NORDLOCK		-
6	74799	4	HEXAGONAL SCREW M16*35 DIN 933		-

23.2.2024

A457898 HYDRAULIC MANIFOLD ASSEMBLY E500 SERIES



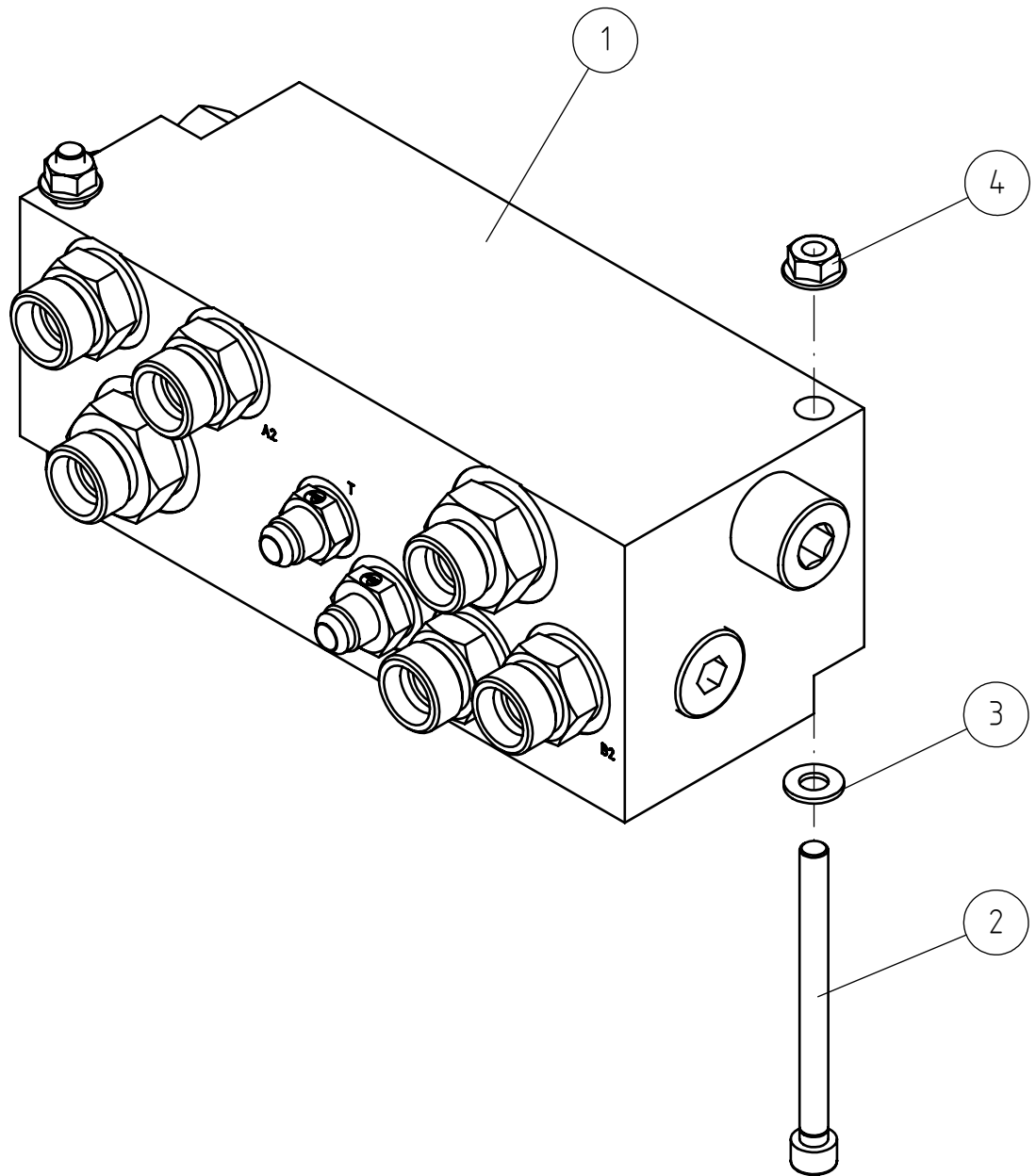
23.2.2024

A457898 HYDRAULIC MANIFOLD ASSEMBLY E500 SERIES

REF	PART NO	QTY	DESCRIPTION	NOTES	PAGE
1	A429660	1	MOUNTING BRACKET HYDRAULIC MANIFOLD		-
2	A450772	1	HYDRAULIC MANIFOLD ASSEMBLY		-
3	66362	1	HOSE BARB 45° R3/4"UK - 25MM		-
4	74525	2	WASHER M8 8,4*20*1,25 ZN		-
5	72132	2	HEXAGONAL SCREW M 8*25 DIN 933 ZN		-
6	72320	2	HEXAGONAL NUT M8 NYLOC DIN 985		-
7	73039	2	HEXAGONAL SCREW M 8*16 DIN 933 ZN		-
8	64059	2	BASIC FITTING F40XS10-1/4		-
9	A427317	1	INLET HOSE F53/F40-280 TANK - MANIFOLD		-
10	66013	2	PIPE CLAMP POWER-FLEX S-048-		-
11	73768	2	HEXAGONAL PLUG HF-3/4" WITH SEAL		-
12	64041	1	BASIC FITTING F40XS10-3/8 /8		-
13	64040	1	BASIC FITTING F40XS10-1/2 /2		-

23.2.2024

A464642 HYDRAULIC MANIFOLD DRIVE WITHOUT ANTI



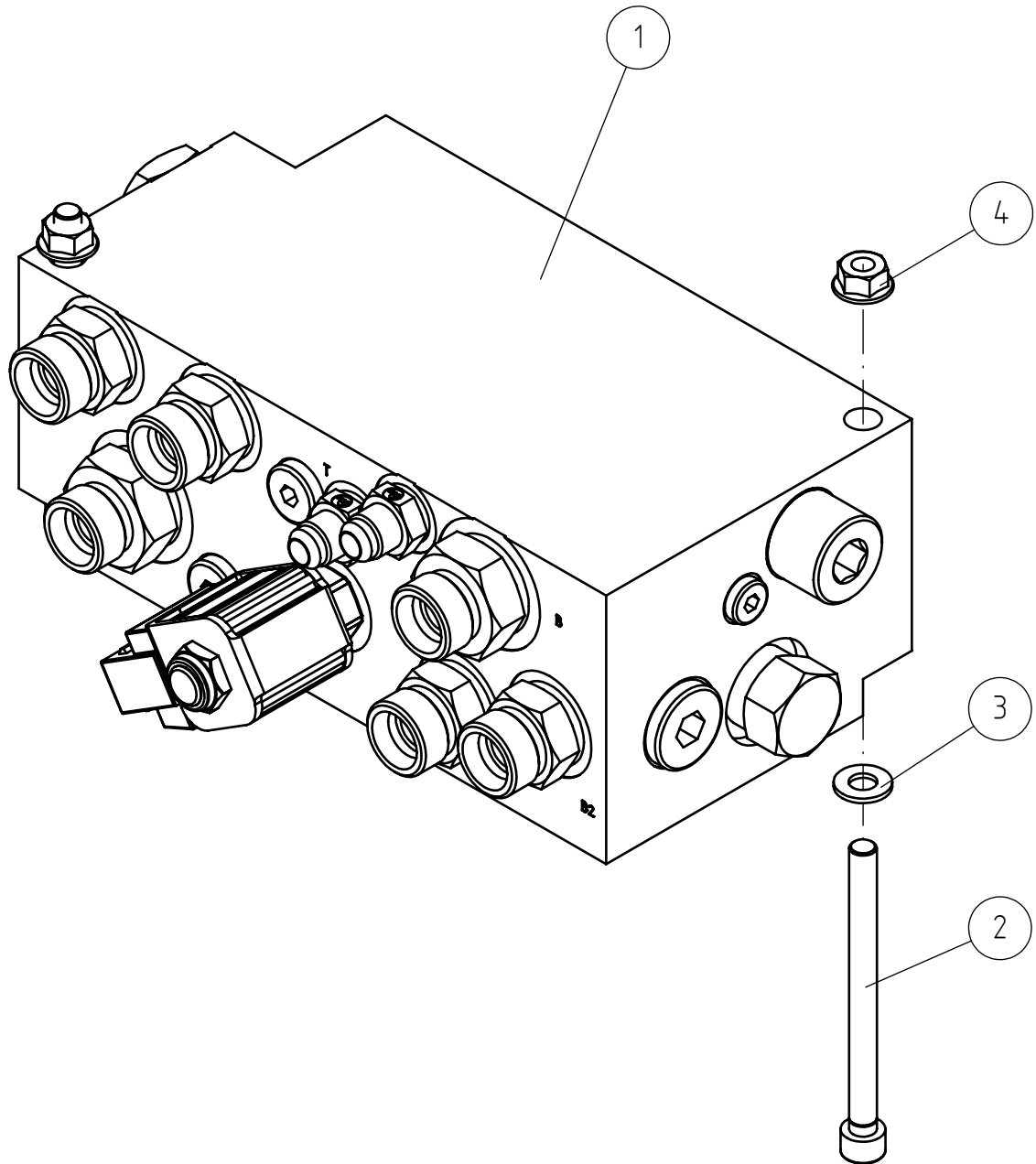
23.2.2024

A464642 HYDRAULIC MANIFOLD DRIVE WITHOUT ANTI

REF	PART NO	QTY	DESCRIPTION	NOTES	PAGE
1	A454039	1	HYDRAULIC MANIFOLD DRIVE CIRCUIT E		-
2	74479	2	HEXAGONAL HEAD SCREW M8* 100 DIN 912		-
3	73122	2	WASHER M8 A8,4 DIN 125 ZN		-
4	A450046	2	HEXAGONAL NUT M8 WITH FLANGE		-

23.2.2024

A464643 HYDRAULIC MANIFOLD DRIVE WITH ANTI SLIP



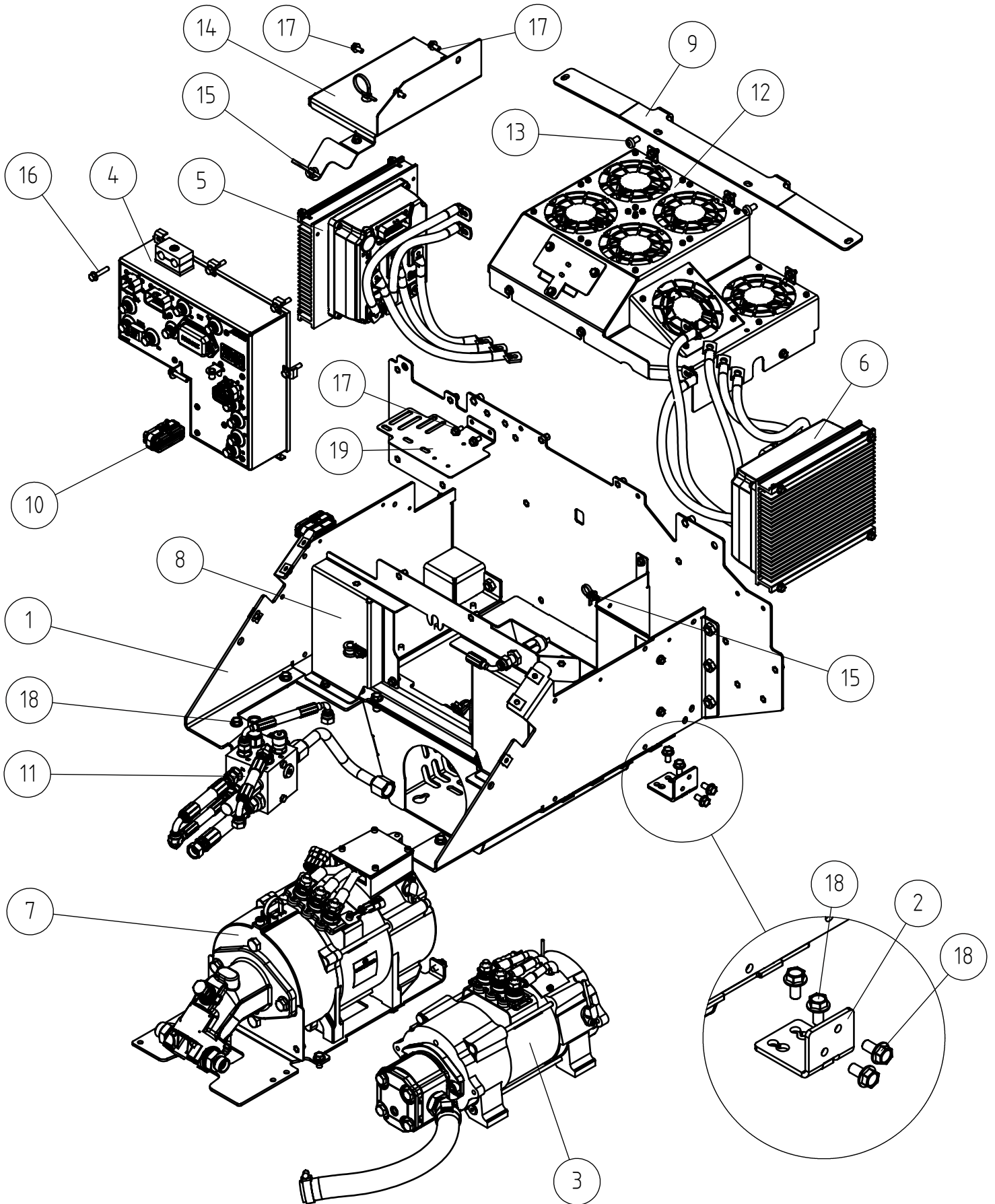
23.2.2024

A464643 HYDRAULIC MANIFOLD DRIVE WITH ANTI SLIP

REF	PART NO	QTY	DESCRIPTION	NOTES	PAGE
1	A454040	1	HYDRAULIC MANIFOLD DRIVE & ANTI SLIP E		-
2	74479	2	HEXAGONAL HEAD SCREW M8* 100 DIN 912		-
3	73122	2	WASHER M8 A8,4 DIN 125 ZN		-
4	A450046	2	HEXAGONAL NUT M8 WITH FLANGE		-

23.2.2024

A457215 MOTOR BAY ASSEMBLY E500



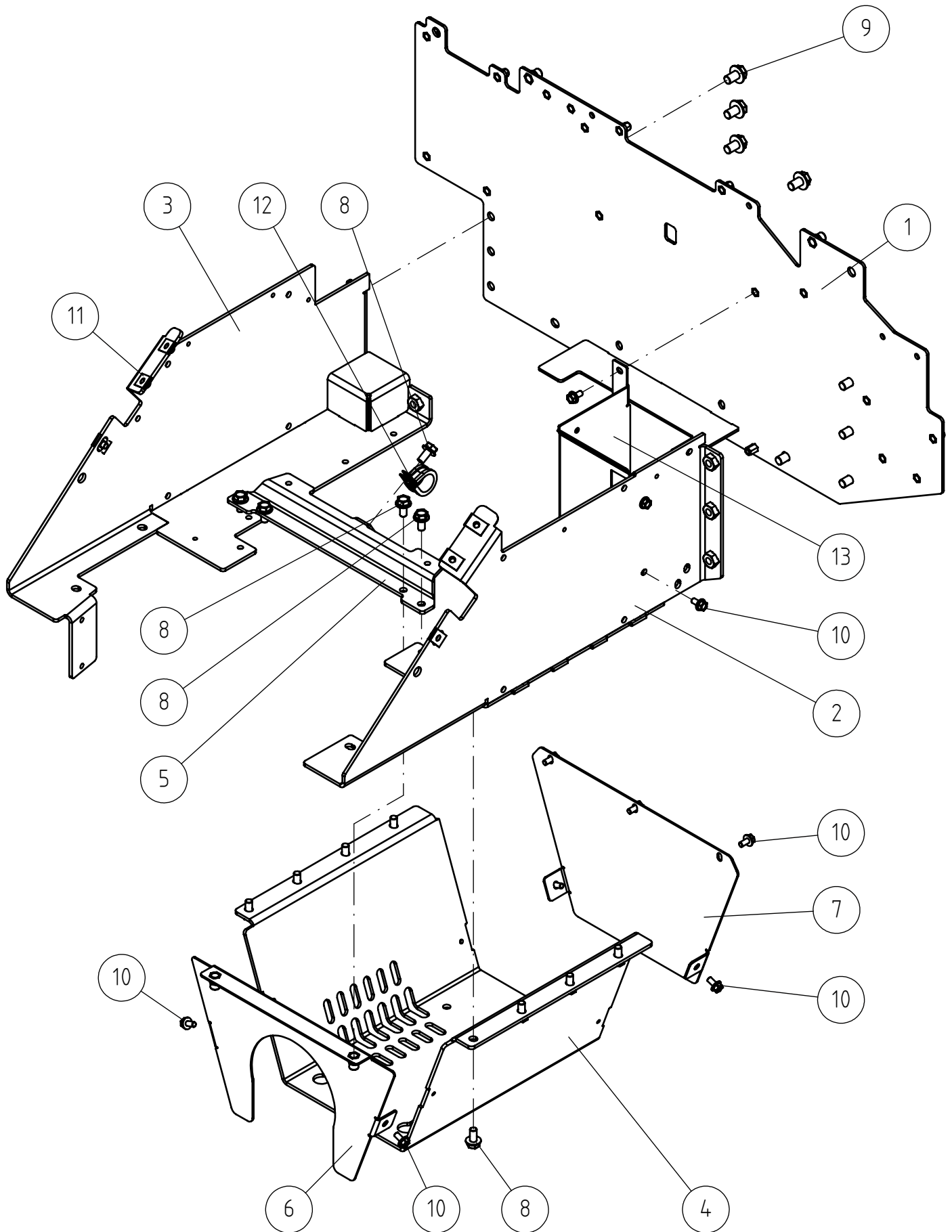
23.2.2024

A457215 MOTOR BAY ASSEMBLY E500

REF	PART NO	QTY	DESCRIPTION	NOTES	PAGE
1	A461584	1	MOUNTING FRAME ELECTRIC MOTORS E500		60
2	A463717	2	MOUNTING BRACKET SIDE PLATE MOTOR BAY		-
3	A461537	1	ELECTRIC MOTOR WITH AUX. HYDR. PUMP E500		62
4	A426354	1	EMI FILTER ASSEMBLY E SERIES		-
5	A462847	1	INVERTER ASSEMBLY AUX. HYDRAULICS E500		64
6	A462846	1	INVERTER ASSEMBLY DRIVE E500 SERIES		66
7	A461536	1	ELECTRIC MOTOR WITH DRIVE PUMP E500		68
8	A462319	1	FRONT PLATE WITH PRESSURE SWITCH MOTOR		70
9	A454568	1	MOUNTING BRACKET UPPER COVER PLATE REAR		-
10	A461445	1	WIRE HARNESS ELECTRIC MOTORS E513 E527		-
11	A464620	1	HYDR. HOSES MOTOR BAY E500		72
12	A464082	1	COOLING FANS ASSEMBLY E500		76
13	A442270	2	THREAD-FORMING SCREW M8*16 DIN 7500C		-
14	A464393	1	SIDE LID MOTOR BAY E500		-
15	A461103	3	CABLE TIE 4,6*165 BLACK		-
16	A453043	7	HEXAGONAL SCREW M6X30 DIN 6921		-
17	A431968	8	HEXAGONAL SERRATED SCREW M6*12 WITH		-
18	A429200	12	HEXAGONAL SERRATED SCREW M8*16 WITH		-
19	A462364	1			-

23.2.2024

A461584 MOUNTING FRAME ELECTRIC MOTORS E500



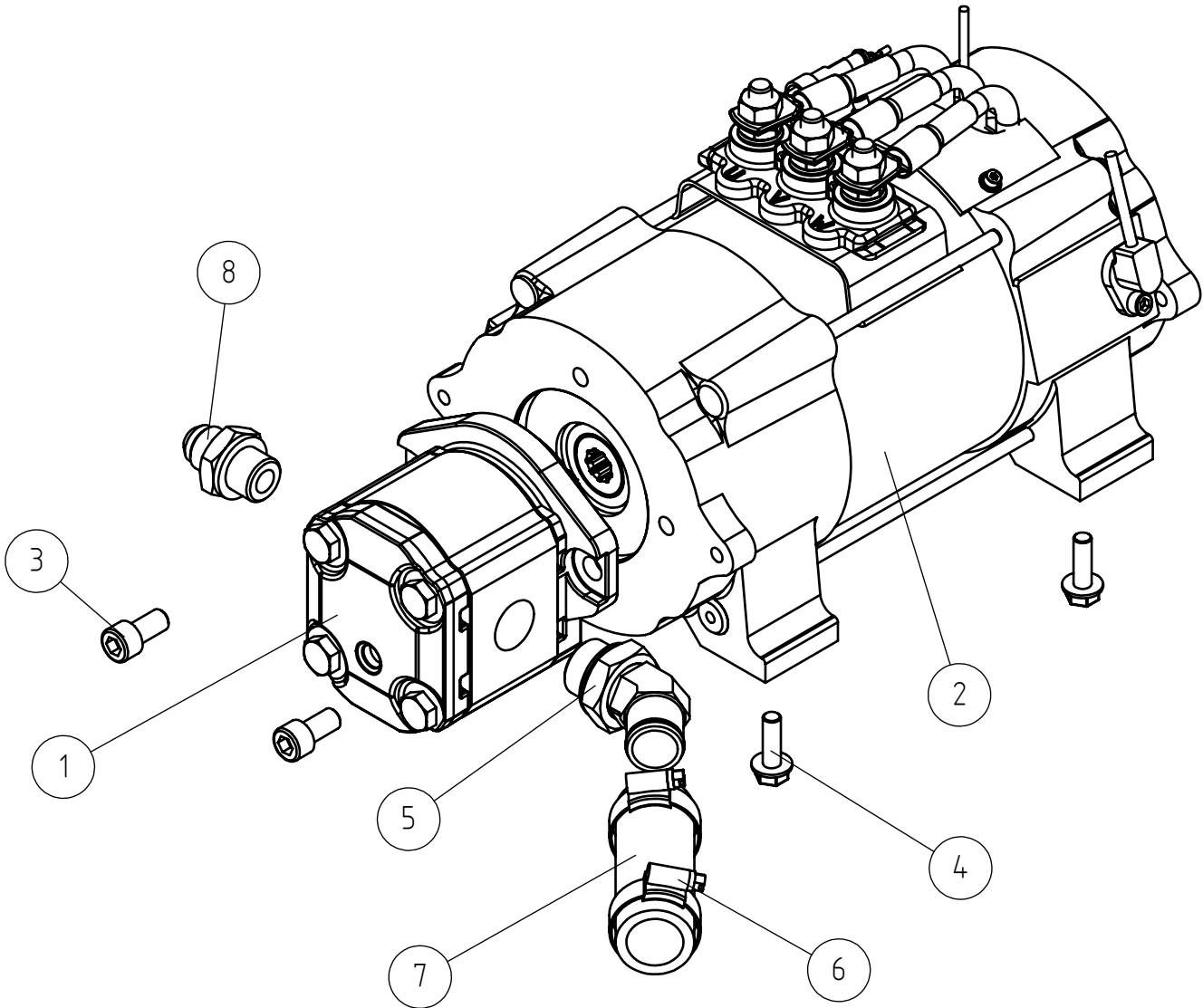
23.2.2024

A461584 MOUNTING FRAME ELECTRIC MOTORS E500

REF	PART NO	QTY	DESCRIPTION	NOTES	PAGE
1	A463609	1	REAR WALL MOTOR BAY E500		-
2	A463663	1	SIDE PLATE LEFT MOTOR BAY E500		-
3	A463667	1	SIDE PLATE RIGHT MOTOR BAY E500		-
4	A463604	1	BOTTOM PLATE MOTOR BAY E500		-
5	A461521	1	CROSSMEMBER MOTOR BAY E500		-
6	A461647	1	FRONT PLATE LOWER MOTOR BAY E500		-
7	A461526	1	REAR PLATE MOTOR BAY E500		-
8	A429200	13	HEXAGONAL SERRATED SCREW M8*16 WITH		-
9	A457766	8	HEXAGONAL SERRATED SCREW M10*16 WITH		-
10	A431968	10	HEXAGONAL SERRATED SCREW M6*12 WITH		-
11	74807	6	SPEED NUT M6, FOR 0.5-4.0 MM PLATE		-
12	74573	1	PIPE CLAMP F25 MM		-
13	A464340	1	AIR DUCT MOTOR BAY E500		-

23.2.2024

A461537 ELECTRIC MOTOR WITH AUX. HYDR. PUMP E500



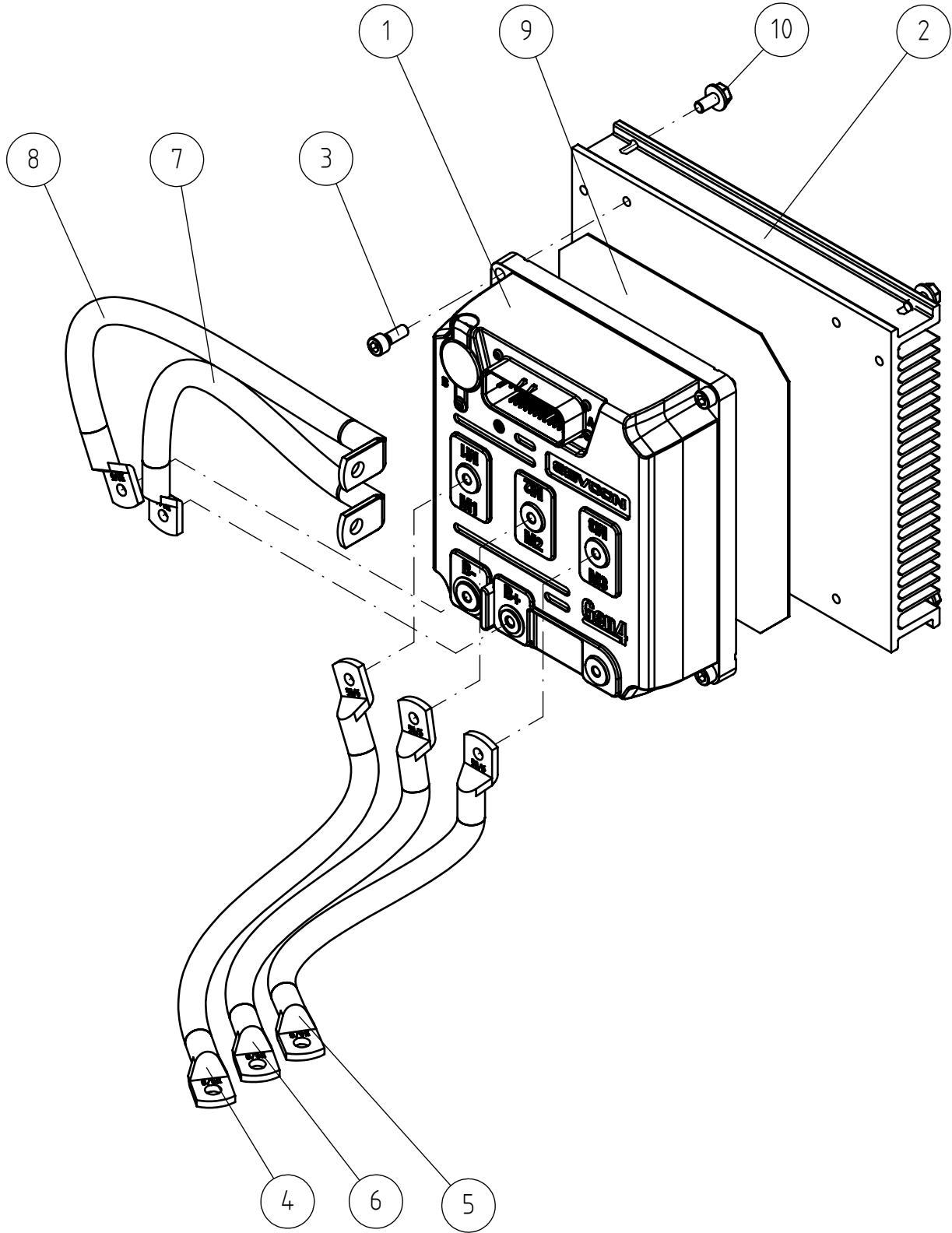
23.2.2024

A461537 ELECTRIC MOTOR WITH AUX. HYDR. PUMP E500

REF	PART NO	QTY	DESCRIPTION	NOTES	PAGE
1	66385	1	HYDRAULIC PUMP 8,3CM3		-
2	66383	1	ELECTRIC MOTOR 2KW 30V 65A		-
3	A456729	2	HEXAGONAL HEAD SCREW M10*20 DIN 912		-
4	A429202	4	HEXAGONAL SERRATED SCREW M8*25 WITH FLAN		-
5	66362	1	HOSE BARB 45° R3/4"UK - 25MM		-
6	73809	2	HOSE CLAMP 32-44 MM		-
7	A427080	1	INLET HOSE L=415 D25		-
8	65060	1	BASIC FITTING F40XS16-1/2		-

23.2.2024

A462847 INVERTER ASSEMBLY AUX. HYDRAULICS E500

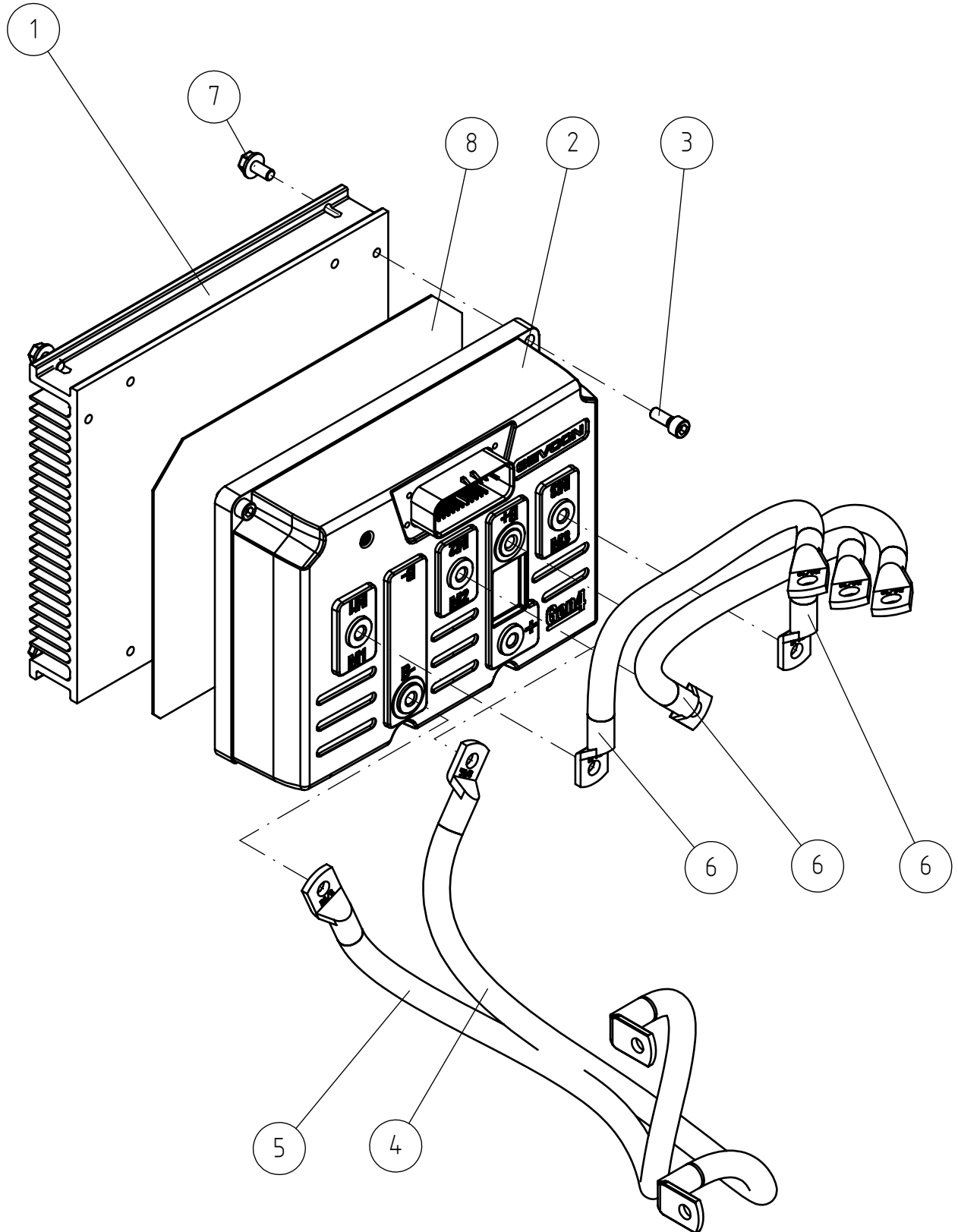


23.2.2024

A462847 INVERTER ASSEMBLY AUX. HYDRAULICS E500

REF	PART NO	QTY	DESCRIPTION	NOTES	PAGE
1	A464601	1	INVERTER 48V 275A E500 SERIES PUMP		-
2	A461490	1	HEAT SINK, INVERTER E500 SERIES		-
3	73766	4	HEXAGONAL HEAD SCREW M6*16 DIN 912 2 8.8		-
4	A463245	1	POWER CABLE L=320 RED		-
5	A463249	1	POWER CABLE L=240 RED		-
6	A463247	1	POWER CABLE L=280 RED		-
7	A463250	1	POWER CABLE L=260 RED		-
8	A463279	1	POWER CABLE L=310 BLACK		-
9	A442521	1	HEAT SINK MAT GEN4SIZE2 E500		-
10	A431968	4	HEXAGONAL SERRATED SCREW M6*12 WITH		-

A462846 INVERTER ASSEMBLY DRIVE E500 SERIES



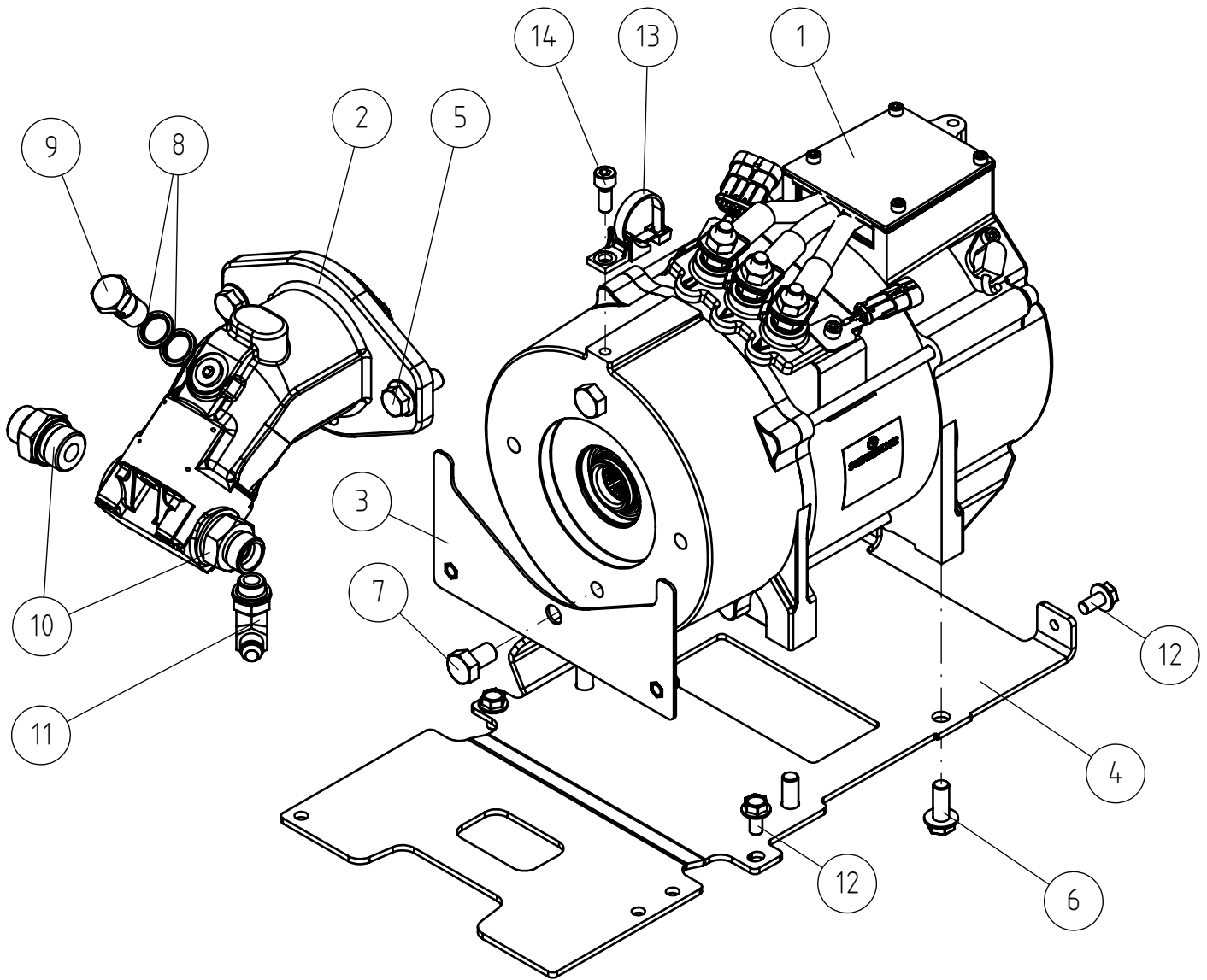
23.2.2024

A462846 INVERTER ASSEMBLY DRIVE E500 SERIES

REF	PART NO	QTY	DESCRIPTION	NOTES	PAGE
1	A461490	1	HEAT SINK, INVERTER E500 SERIES		-
2	A464602	1	INVERTER 48V 450A E500 SERIES DRIVE		-
3	73766	4	HEXAGONAL HEAD SCREW M6*16 DIN 912 2 8.8		-
4	A463281	1	POWER CABLE L=600 RED		-
5	A463283	1	POWER CABLE L=600 BLACK		-
6	A463332	3	POWER CABLE L=300 RED		-
7	A431968	4	HEXAGONAL SERRATED SCREW M6*12 WITH		-
8	A442528	1	HEAT SINK MAT GEN4SIZE4 E500		-

23.2.2024

A461536 ELECTRIC MOTOR WITH DRIVE PUMP E500



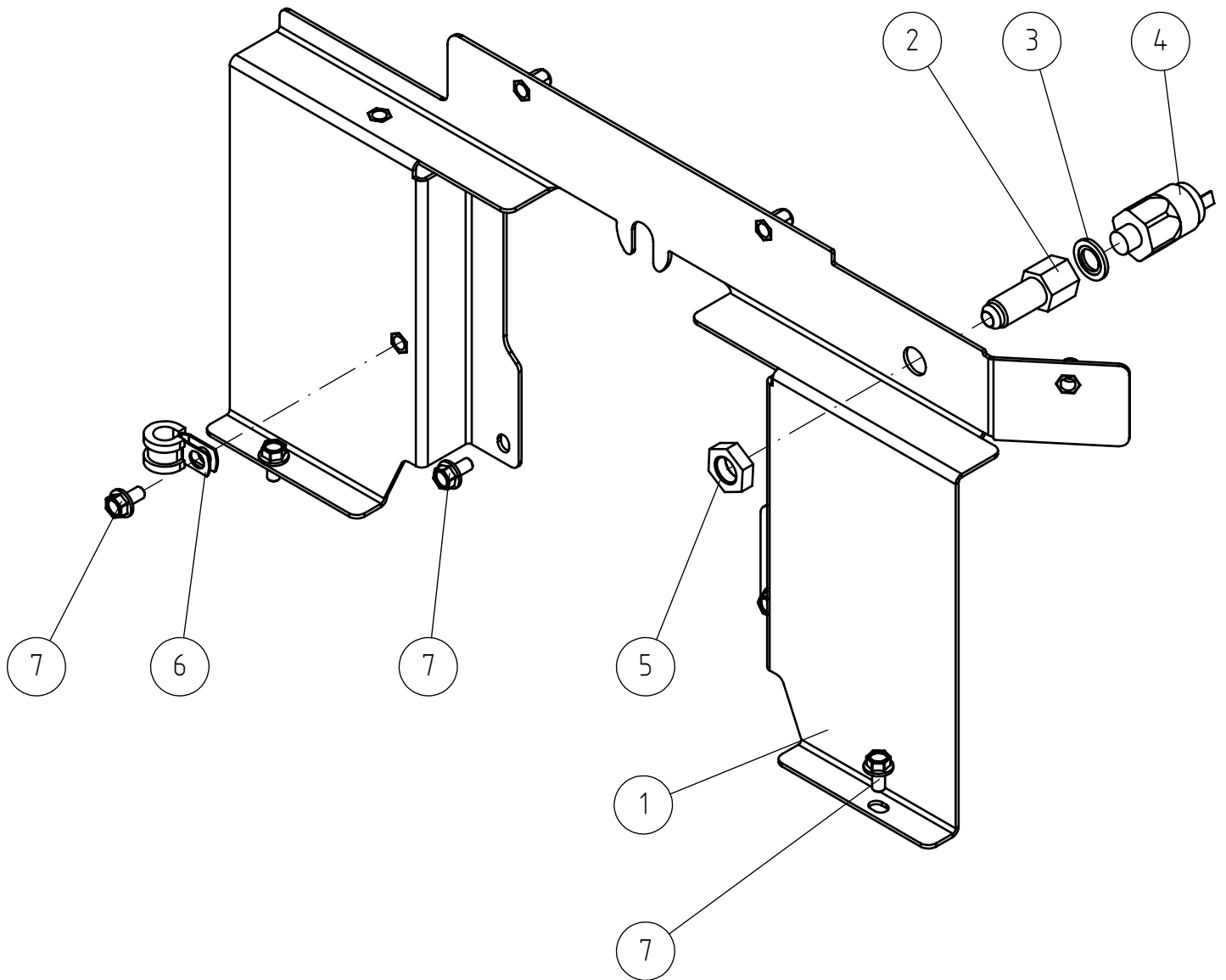
23.2.2024

A461536 ELECTRIC MOTOR WITH DRIVE PUMP E500

REF	PART NO	QTY	DESCRIPTION	NOTES	PAGE
1	66382	1	ELECTRIC MOTOR 7.2KW 32V 192A		-
2	66352	1	HYDRAULIC MOTOR REXROTH 12CM3		-
3	A457767	1	MOUNTING PLATE FRONT ELECTRIC MOTOR		-
4	A461474	1	SUBFRAME MOTOR BAY E500		-
5	A462439	2	HEXAGONAL SERRATED SCREW M12*30 W. FLANG		-
6	A432195	4	HEXAGONAL SERRATED SCREW M10*25 W. FLANG		-
7	72165	2	HEXAGONAL SCREW M12*20 DIN 933		-
8	73379	2	USIT-COMPRESSION 3/8"		-
9	73954	1	BANJO BOLT R3/8" L=29		-
10	A449893	2	BASIC FITTING G3/4" M24*1,5		-
11	64044	1	ELBOW FITTING 90° C40XS10-3/8 /8		-
12	A429200	4	HEXAGONAL SERRATED SCREW M8*16 WITH		-
13	A442641	1	CABLE TIE 7,6*390 M8 BLACK		-
14	74481	1	HEXAGONAL HEAD SCREW M8*20 DIN 912 ZN		-

23.2.2024

A462319 FRONT PLATE WITH PRESSURE SWITCH MOTOR

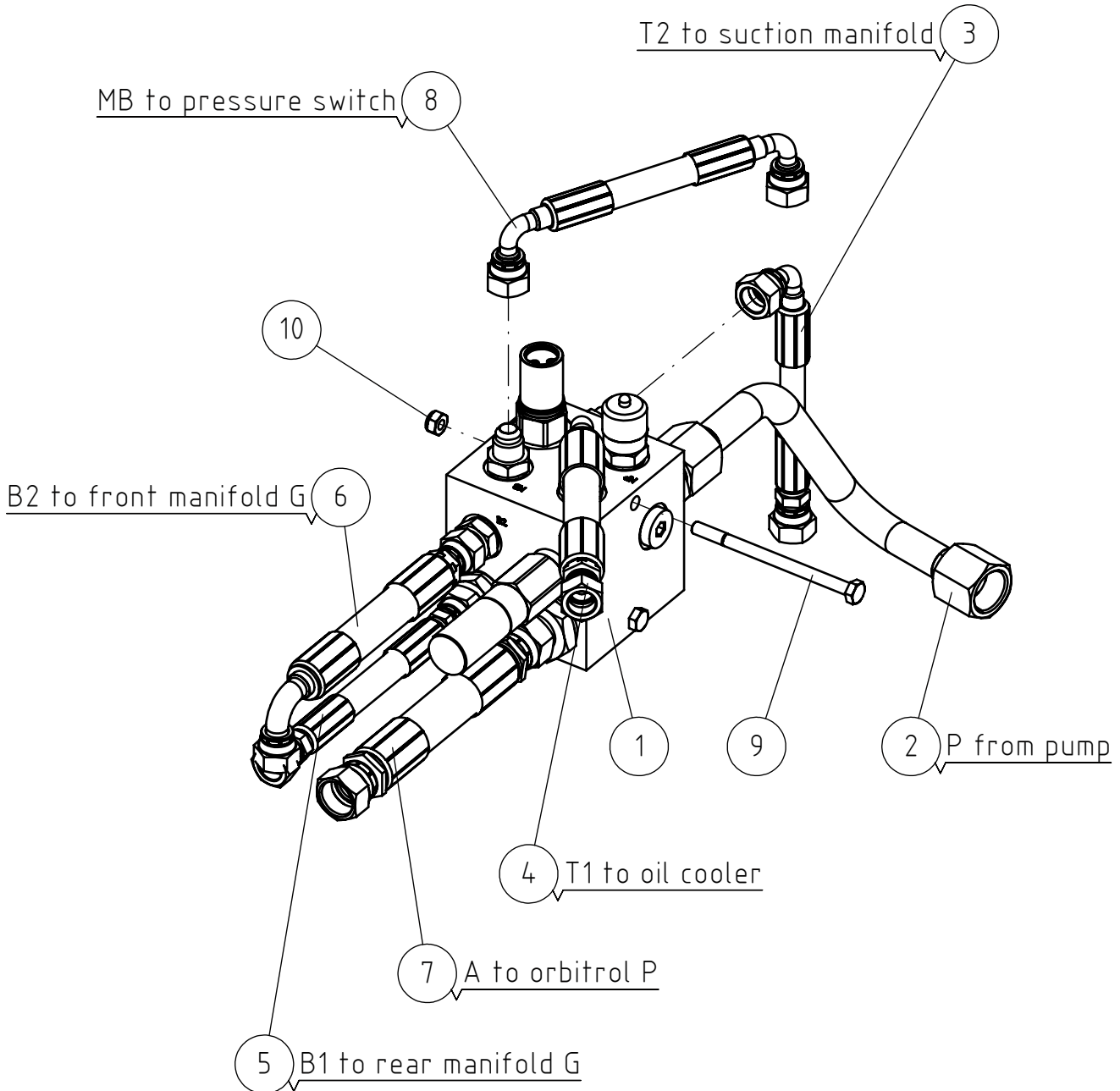


23.2.2024

A462319 FRONT PLATE WITH PRESSURE SWITCH MOTOR

REF	PART NO	QTY	DESCRIPTION	NOTES	PAGE
1	A461093	1	FRONT PLATE MOTOR BAY E500		-
2	A461116	1	REDUCER FITTING LEAD-THROUGH		-
3	73757	1	USIT COMPRESSION R1/4"		-
4	64852	1	PRESSURE SWITCH SUCO, REVERSE BEEPER		-
5	A458399	1	COUNTER NUT UNF 9/16"-18		-
6	74570	1	PIPE CLAMP F11 MM		-
7	A431968	5	HEXAGONAL SERRATED SCREW M6*12 WITH		-

A464620 HYDR. HOSES MOTOR BAY E500



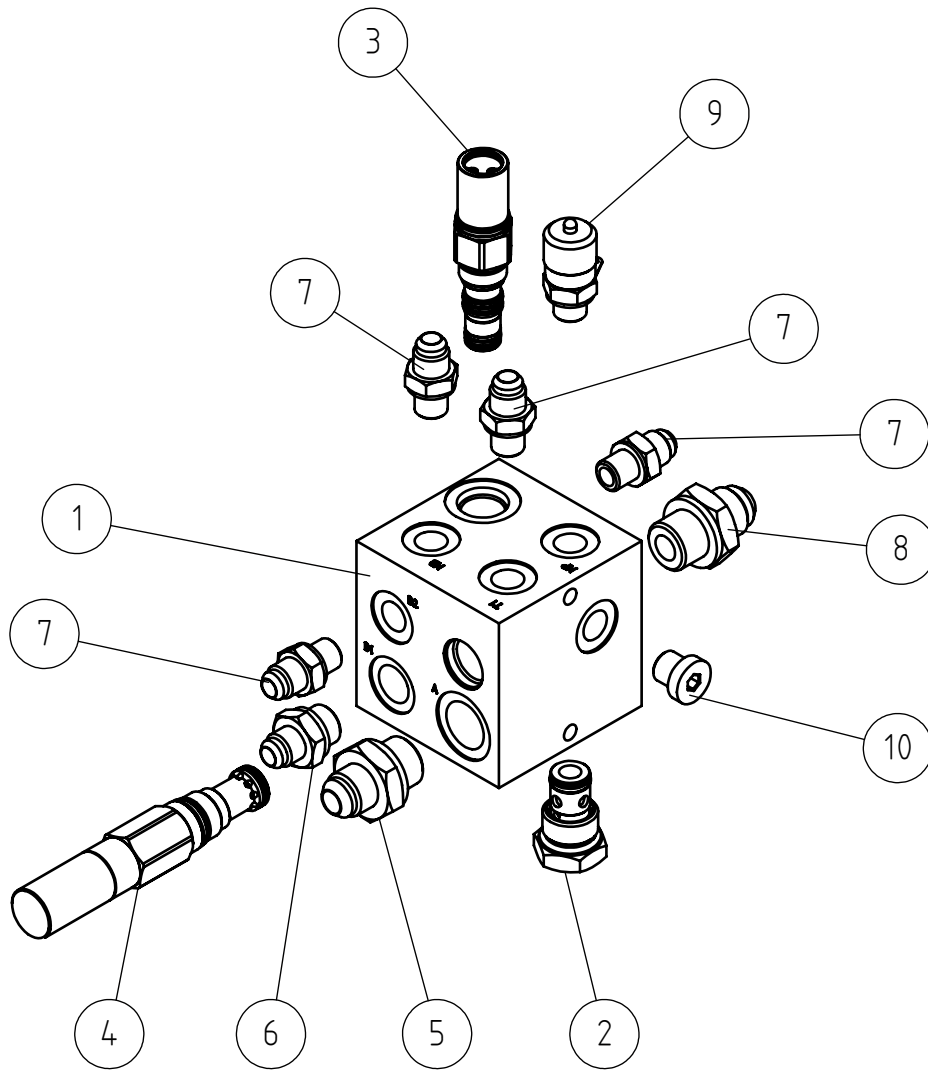
23.2.2024

A464620 HYDR. HOSES MOTOR BAY E500

REF	PART NO	QTY	DESCRIPTION	NOTES	PAGE
1	A461189	1	HYDRAULIC MANIFOLD AUX. HYDR. PUMP E500		74
2	A463831	1	HYDRAULIC PIPE F16X2.0		-
3	A410094	1	HYDR. HOSE L=350		-
4	A420247	1	HYDR. HOSE L=1600		-
5	A462158	1	HYDR. HOSE L=520		-
6	A463198	1	HYDR. HOSE L=780		-
7	A462278	1	HYDR. HOSE L=1050		-
8	A463196	1	HYDR. HOSE L=600		-
9	72127	2	HEXAGONAL SCREW M6*90 DIN 933		-
10	72318	2	HEXAGONAL NUT M 6 DIN 985 NYLOC		-

23.2.2024

A461189 HYDRAULIC MANIFOLD AUX. HYDR. PUMP E500



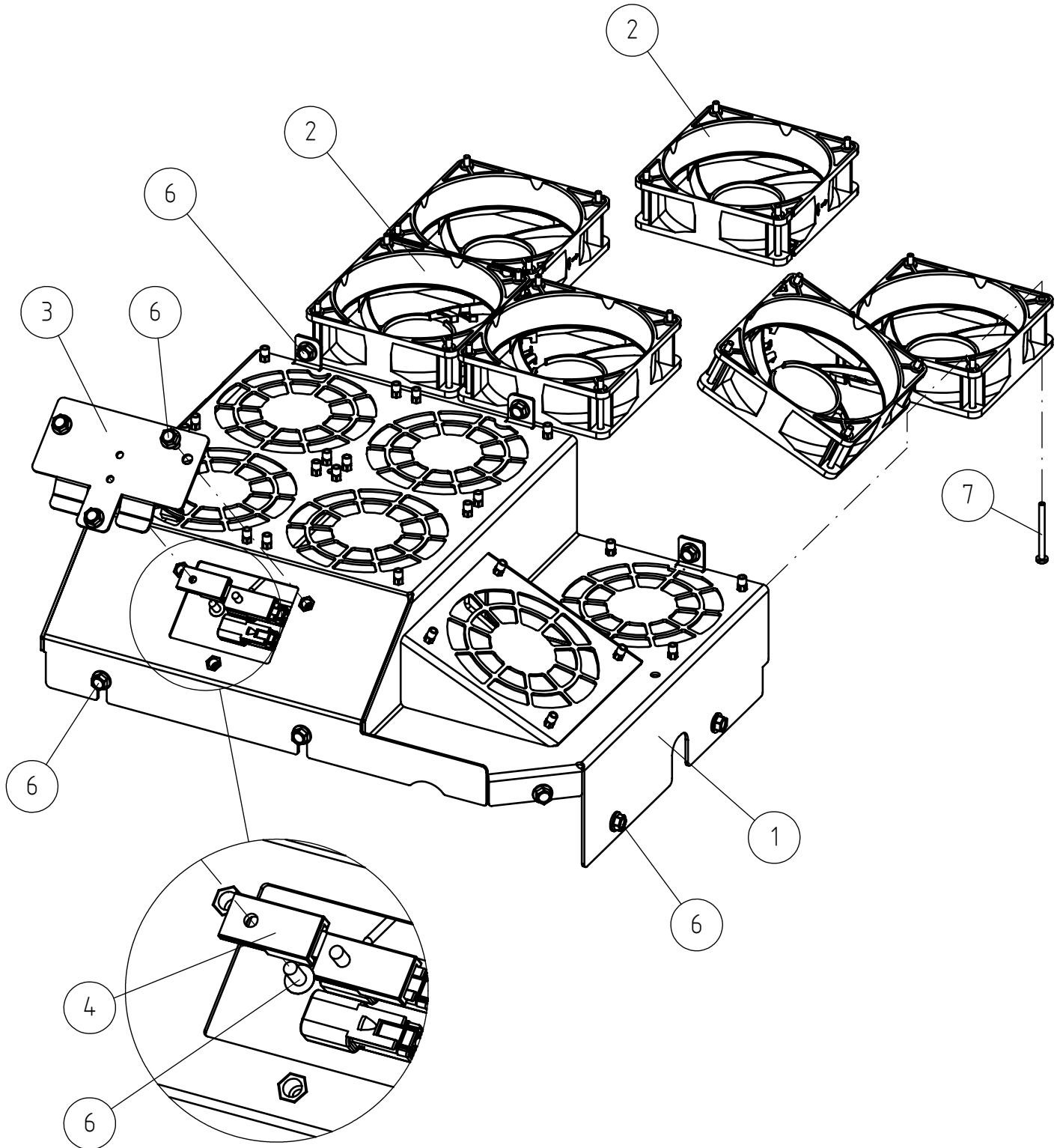
23.2.2024

A461189 HYDRAULIC MANIFOLD AUX. HYDR. PUMP E500

REF	PART NO	QTY	DESCRIPTION	NOTES	PAGE
1	A421624	1	HYDRAULIC MANIFOLD, E SERIES		-
2	66442	1	CHECK VALVE CARTRIDGE 15-240 BAR		-
3	66441	1	PRESSURE REDUCING VALVE CARTRIDGE		-
4	66440	1	PRESSURE RELIEF CARTRIDGE 210-315BAR		-
5	64058	1	BASIC FITTING F40XS12-1/2		-
6	64041	1	BASIC FITTING F40XS10-3/8 /8		-
7	64059	4	BASIC FITTING F40XS10-1/4		-
8	65060	1	BASIC FITTING F40XS16-1/2		-
9	64196	1	MANOMETER FITTING M16*2		-
10	64700	1	HEXAGONAL PLUG R 1/4"		-

23.2.2024

A464082 COOLING FANS ASSEMBLY E500



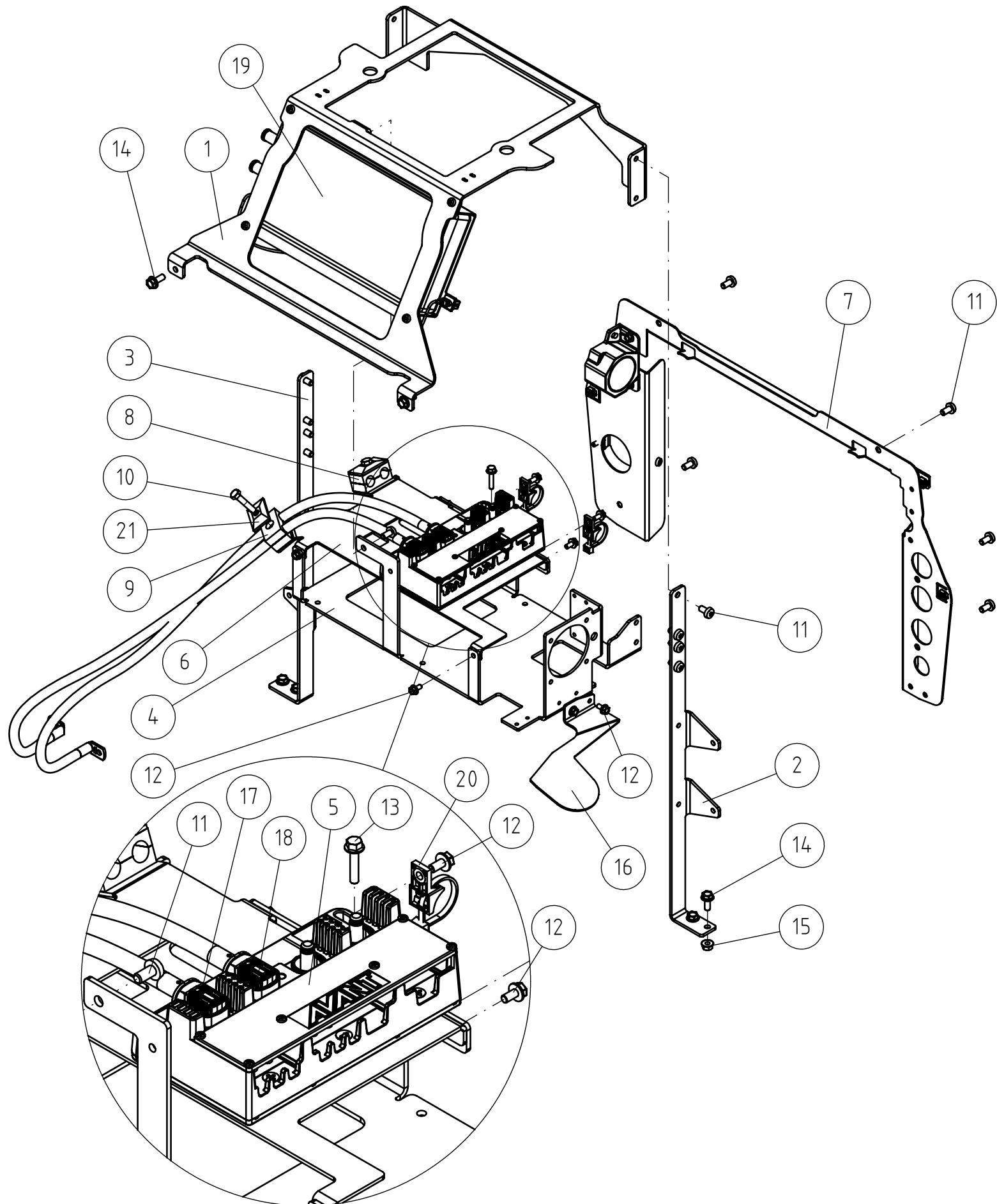
23.2.2024

A464082 COOLING FANS ASSEMBLY E500

REF	PART NO	QTY	DESCRIPTION	NOTES	PAGE
1	A464129	1	FRAME COOLING FANS E500		-
2	A464327	2	FANS 3 PCS ASSEMBLY		-
3	A464331	1	LID CONNECTORS FANS E500		-
4	A446802	2	BRACKET CONNECTOR DEUTSCH		-
5	A464320	2	BARBED FASTENER D11,0/D5,0 BLACK NYLON		-
6	A431968	11	HEXAGONAL SERRATED SCREW M6*12 WITH		-
7	A464416	24	PAN HEAD MACHINE SCREW M4*45 DIN 7985		-

23.2.2024

A464317 MOUNTING FRAME REAR ASSEMBLY E500



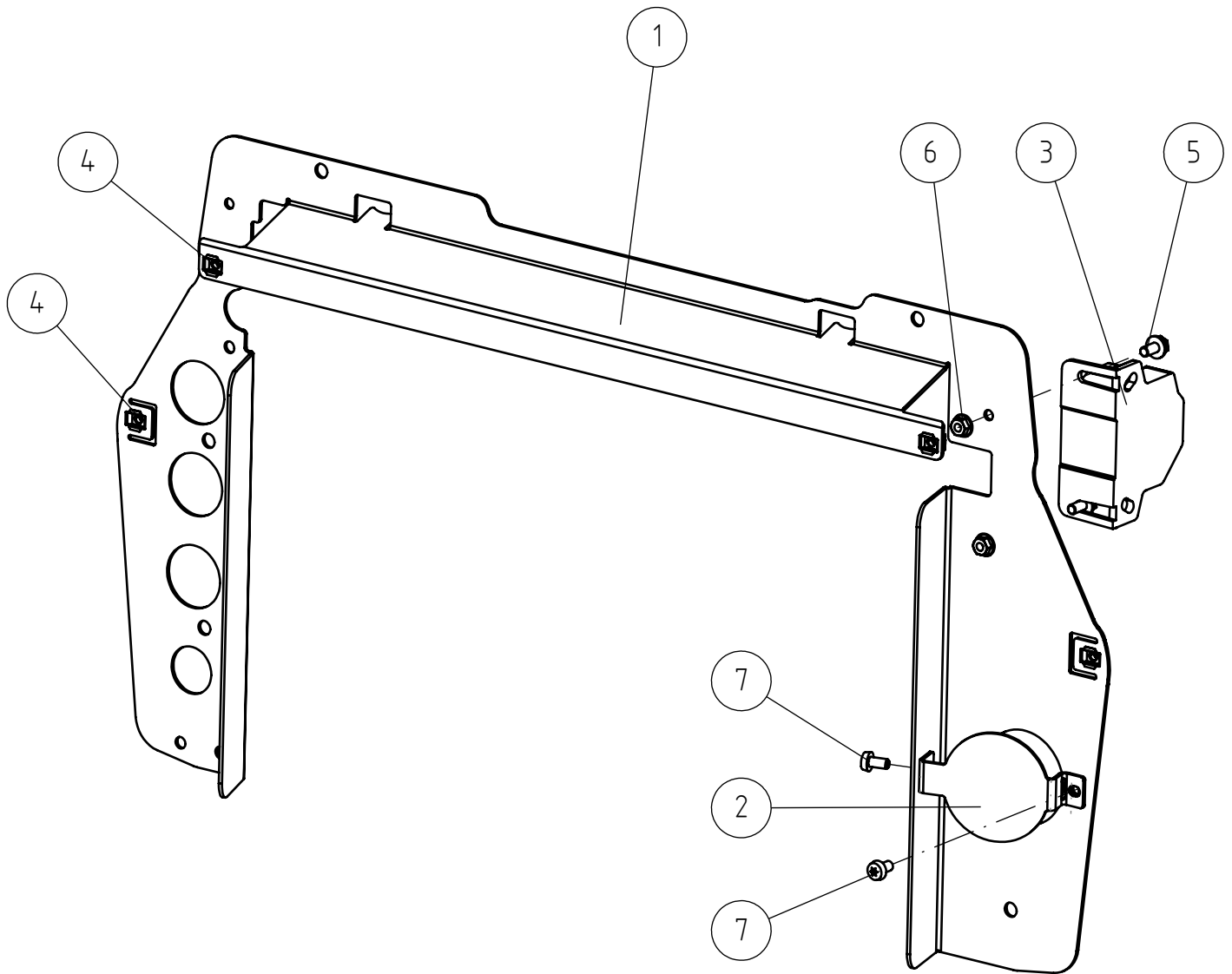
23.2.2024

A464317 MOUNTING FRAME REAR ASSEMBLY E500

REF	PART NO	QTY	DESCRIPTION	NOTES	PAGE
1	A461666	1	UPPER MOUNTING FRAME REAR E500		-
2	A454570	1	MOUNTING BRACKET LEFT REAR GRILLE E5/E6		-
3	A454581	1	MOUNTING BRACKET RIGHT REAR GRILLE E5/E6		-
4	A464292	1	MOUNTING PLATE BATTERY CHARGER E500		-
5	A460840	1	JUNCTION BOX BATTERY - CHARGER - VEHICLE		-
6	A464286	1	MOUNTING BRACKET JUNCTION BOX E500		-
7	A464699	1	MOUNTING FRAME REAR GRILLE E500		80
8	A455712	1			-
9	64886	1	PIPE CLAMP 214/14		-
10	73222	2	HEXAGONAL SCREW M8*40 DIN 933		-
11	A442270	14	THREAD-FORMING SCREW M8*16 DIN 7500C		-
12	A431968	8	HEXAGONAL SERRATED SCREW M6*12 WITH		-
13	A453043	2	HEXAGONAL SCREW M6X30 DIN 6921		-
14	A429201	6	HEXAGONAL SERRATED SCREW M8*20 WITH		-
15	A450046	4	HEXAGONAL NUT M8 WITH FLANGE		-
16	A464473	1	COVER E500		-
17	A463626	1	POWER CABLE L=973 RED		-
18	A462780	1	POWER CABLE L=973 BLACK		-
19	A464715	1	BATTERY COOLING ASSEMBLY E500		82
20	A442639	2	CABLE TIE 7,6*390 M6 BLACK		-
21	73767	2	COVER PLATE GD2-D, PIPE CLAMP		-

23.2.2024

A464699 MOUNTING FRAME REAR GRILLE E500



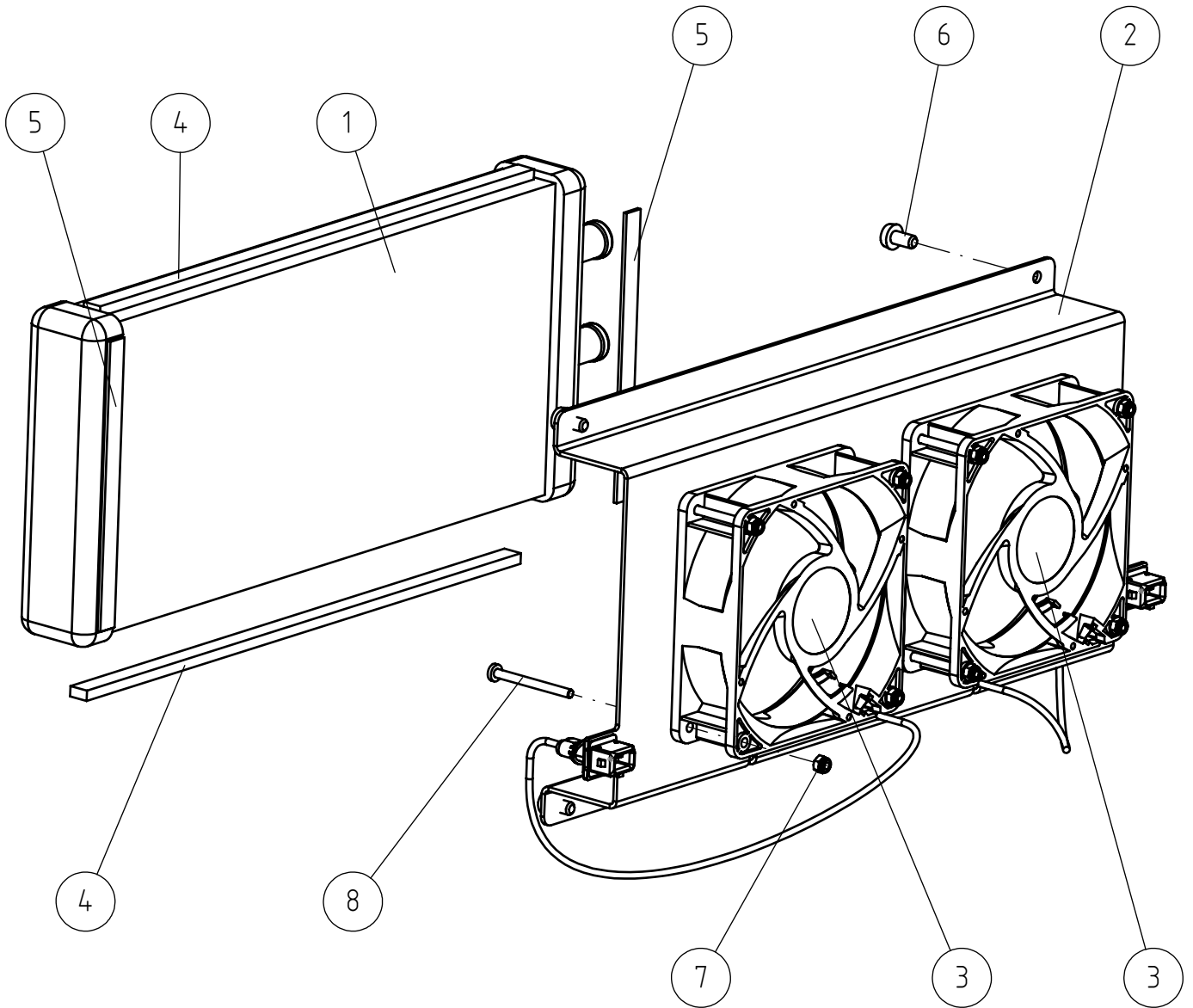
23.2.2024

A464699 MOUNTING FRAME REAR GRILLE E500

REF	PART NO	QTY	DESCRIPTION	NOTES	PAGE
1	A444462	1	COUNTER PLATE REAR GRILLE		-
2	A464301	1	COVER E500		-
3	A430777	1	REVERSE BEEPER 12-48VDC		-
4	A450351	4	CAGE NUT M6 M6 S=1.7...2.7		-
5	A431968	2	HEXAGONAL SERRATED SCREW M6*12 WITH		-
6	A452923	2	HEXAGONAL NUT M6 DIN 6923		-
7	A444170	2	THREAD-FORMING SCREW M6*12 DIN 7500CE		-

23.2.2024

A464715 BATTERY COOLING ASSEMBLY E500



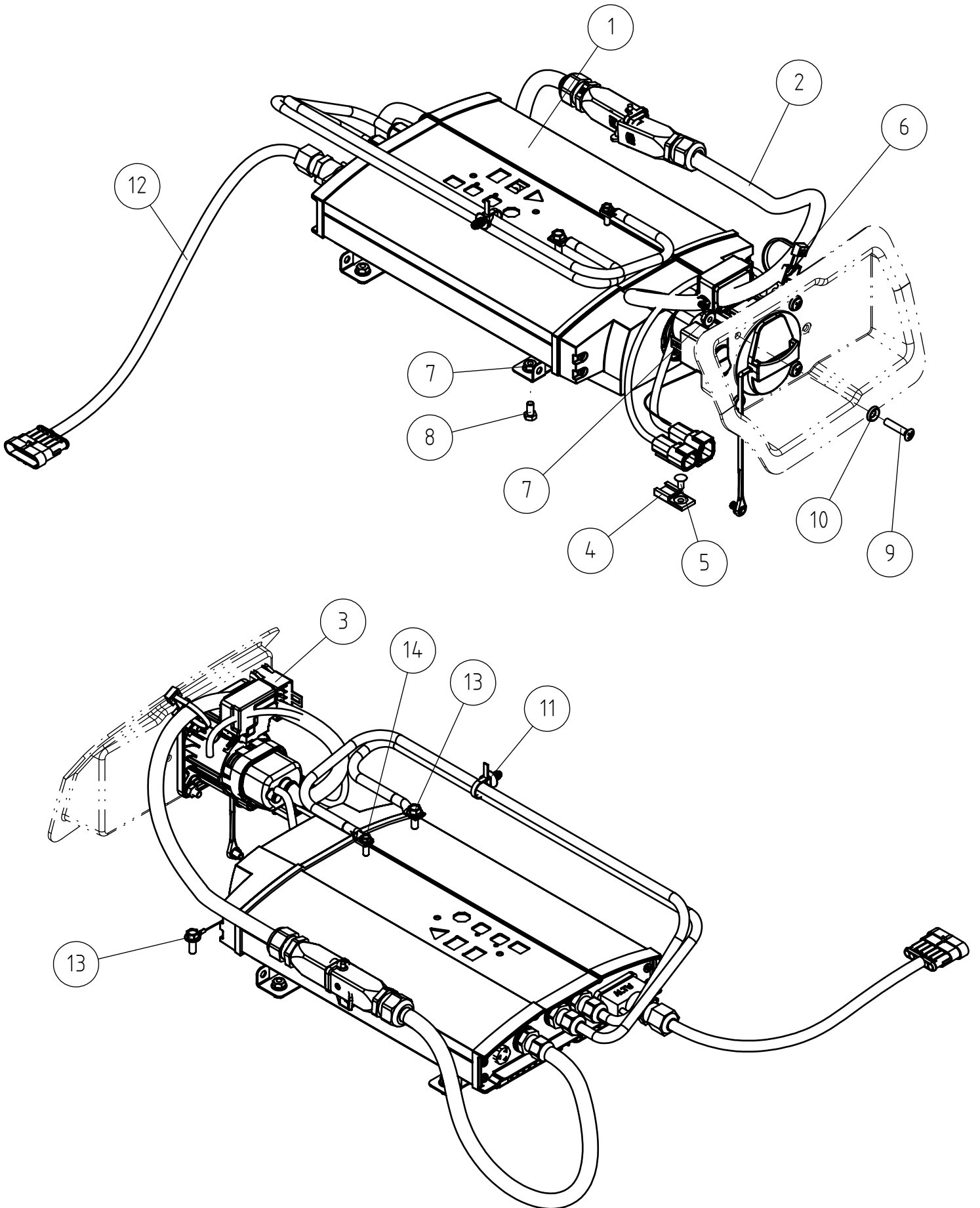
23.2.2024

A464715 BATTERY COOLING ASSEMBLY E500

REF	PART NO	QTY	DESCRIPTION	NOTES	PAGE
1	A459106	1	HEAT EXCHANGER WATER-AIR		-
2	A464398	1	MOUNTING PLATE COOLER E500		-
3	A462136	2	FAN 120MM E500		-
4	A464583	2	SEALING STRIP L=310 E500		-
5	A464585	2	SEALING STRIP L=140 E500		-
6	A444170	4	THREAD-FORMING SCREW M6*12 DIN 7500CE		-
7	72313	8	HEXAGONAL NUT M4 DIN 985 NYLOC		-
8	A464416	8	PAN HEAD MACHINE SCREW M4*45 DIN 7985		-

23.2.2024

A465588 BATTERY CHARGER ON-BOARD WITH TYPE 1



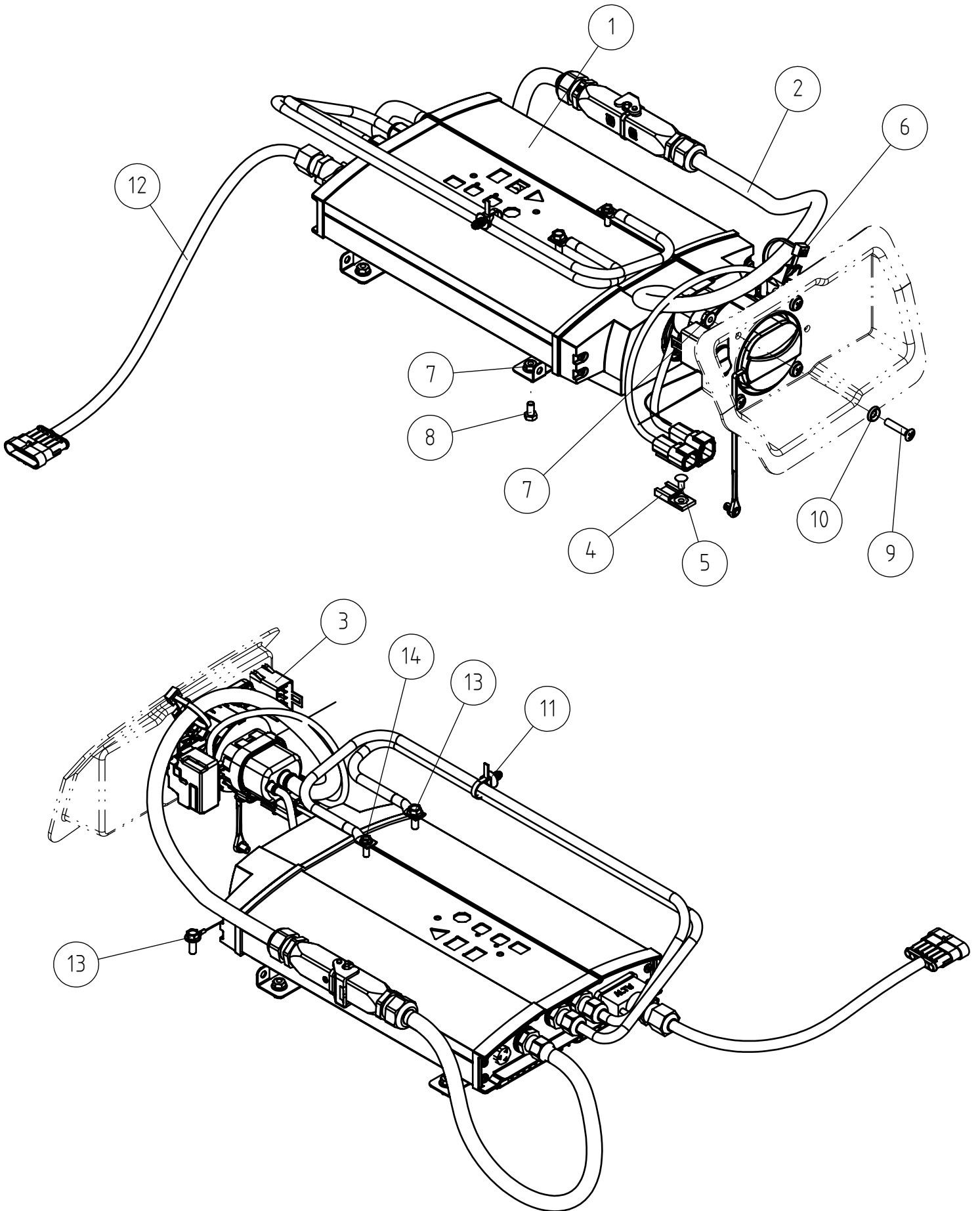
23.2.2024

A465588 BATTERY CHARGER ON-BOARD WITH TYPE 1

REF	PART NO	QTY	DESCRIPTION	NOTES	PAGE
1	A462681	1	BATTERY CHARGER 3000W, UL-RECOGNIZED		-
2	A465581	1			-
3	A464356	1	SWITCH, LOCK (OFF-MOM)X2		-
4	A446802	2	BRACKET CONNECTOR DEUTSCH		-
5	A464320	2	BARBED FASTENER D11,0/D5,0 BLACK NYLON		-
6	A442639	1	CABLE TIE 7,6*390 M6 BLACK		-
7	A452923	8	HEXAGONAL NUT M6 DIN 6923		-
8	72116	4	HEXAGONAL SCREW M 6*12 DIN 933 ZN		-
9	A433671	4	SLOTTED COUNTERSUNK HEAD SCREW M6*30 DIN		-
10	74768	4	WASHER CONICAL M6		-
11	A461103	1	CABLE TIE 4,6*165 BLACK		-
12	A461165	1	CABLE ON-BOARD CHARGER E500		-
13	A431967	2	HEXAGONAL SERRATED SCREW M6*16 W. FLANG		-
14	A464712	1	HEXAGONAL SERRATED SCREW M5*16 WITH		-

23.2.2024

A464697 BATTERY CHARGER ON-BOARD WITH TYPE 2



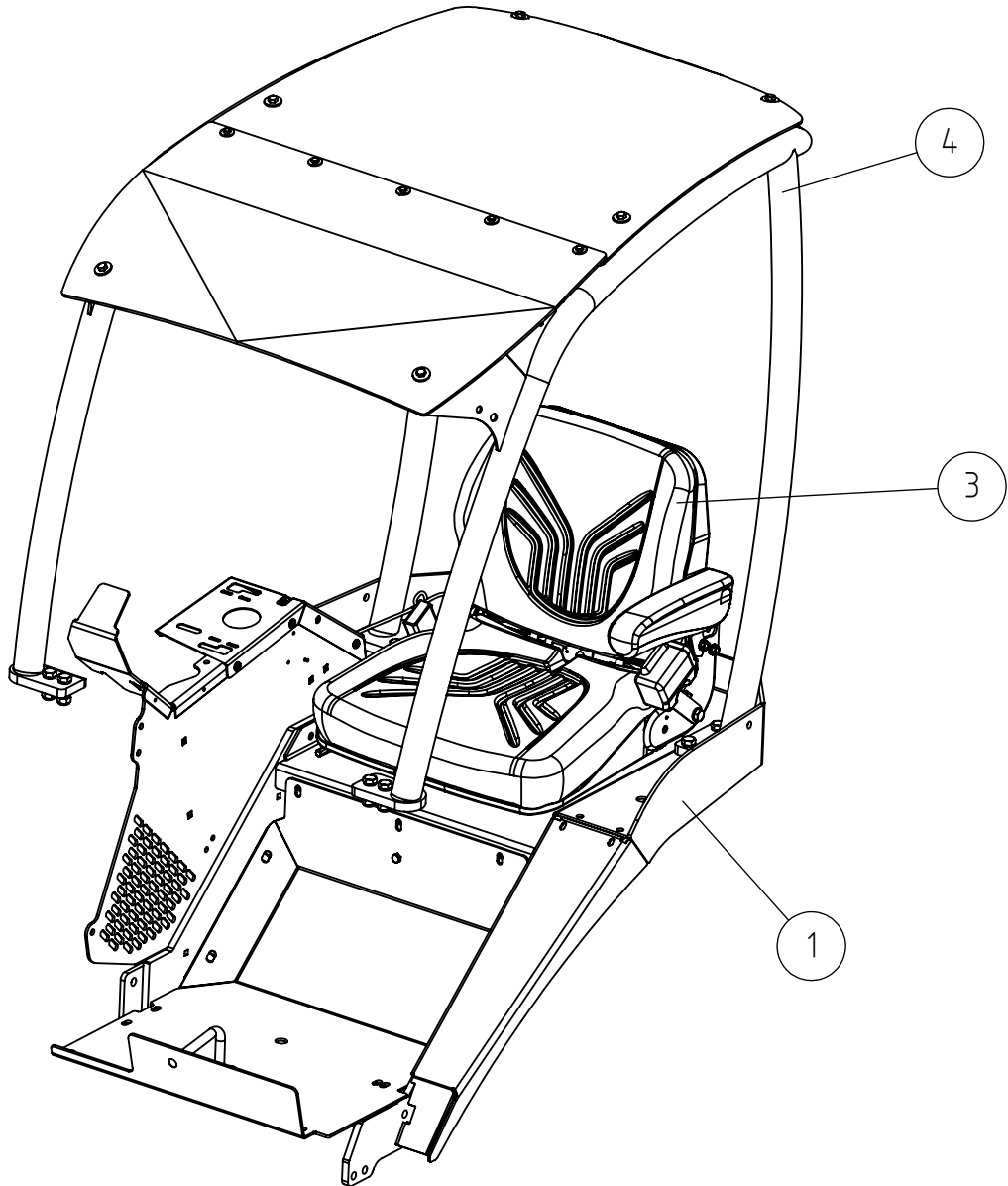
23.2.2024

A464697 BATTERY CHARGER ON-BOARD WITH TYPE 2

REF	PART NO	QTY	DESCRIPTION	NOTES	PAGE
1	A462685	1	BATTERY CHARGER 3000W, 48V 60A IP66		-
2	A462245	1	WIRE HARNESS TYPE 2 WITH CHARGING INLET		-
3	A464356	1	SWITCH, LOCK (OFF-MOM)X2		-
4	A446802	2	BRACKET CONNECTOR DEUTSCH		-
5	A464320	2	BARBED FASTENER D11,0/D5,0 BLACK NYLON		-
6	A442639	1	CABLE TIE 7,6*390 M6 BLACK		-
7	A452923	8	HEXAGONAL NUT M6 DIN 6923		-
8	72116	4	HEXAGONAL SCREW M 6*12 DIN 933 ZN		-
9	A433671	4	SLOTTED COUNTERSUNK HEAD SCREW M6*30 DIN		-
10	74768	4	WASHER CONICAL M6		-
11	A461103	1	CABLE TIE 4,6*165 BLACK		-
12	A461165	1	CABLE ON-BOARD CHARGER E500		-
13	A431967	2	HEXAGONAL SERRATED SCREW M6*16 W. FLANG		-
14	A464712	1	HEXAGONAL SERRATED SCREW M5*16 WITH		-

23.2.2024

A462042 ROPS/FOPS CAB ASSEMBLY



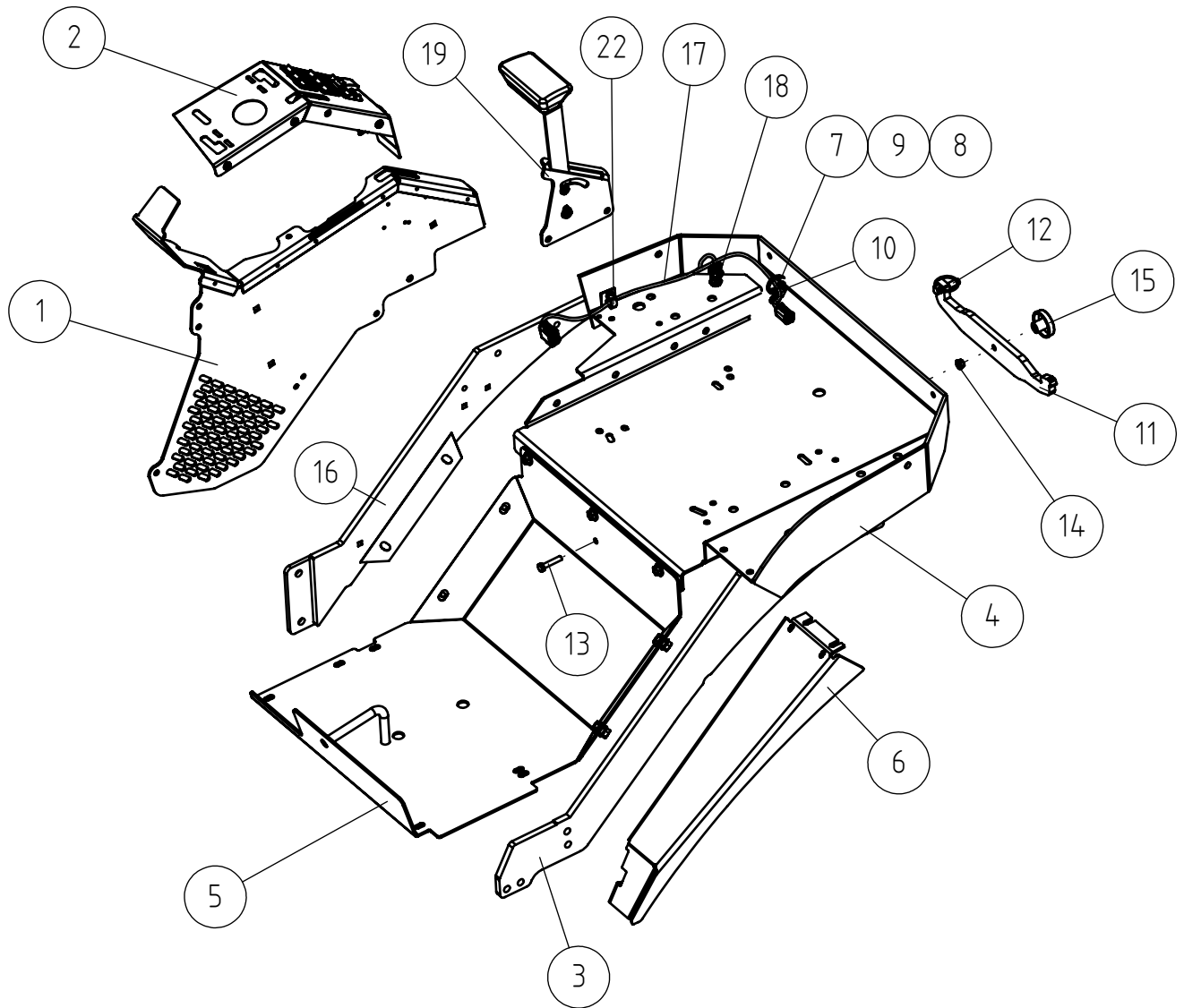
23.2.2024

A462042 ROPS/FOPS CAB ASSEMBLY

REF	PART NO	QTY	DESCRIPTION	NOTES	PAGE
1	A462011	1	SEAT BASE ASSEMBLY 500-700 SERIES		90
2	A450046	4	HEXAGONAL NUT M8 WITH FLANGE		-
3	A449720	1	SEAT WITH SUSPENSION VINYL B12		-
4	A48906	1	ROPS FRAME WITH FOPS CANOPY, 500 SERIES		94

23.2.2024

A462011 SEAT BASE ASSEMBLY 500-700 SERIES



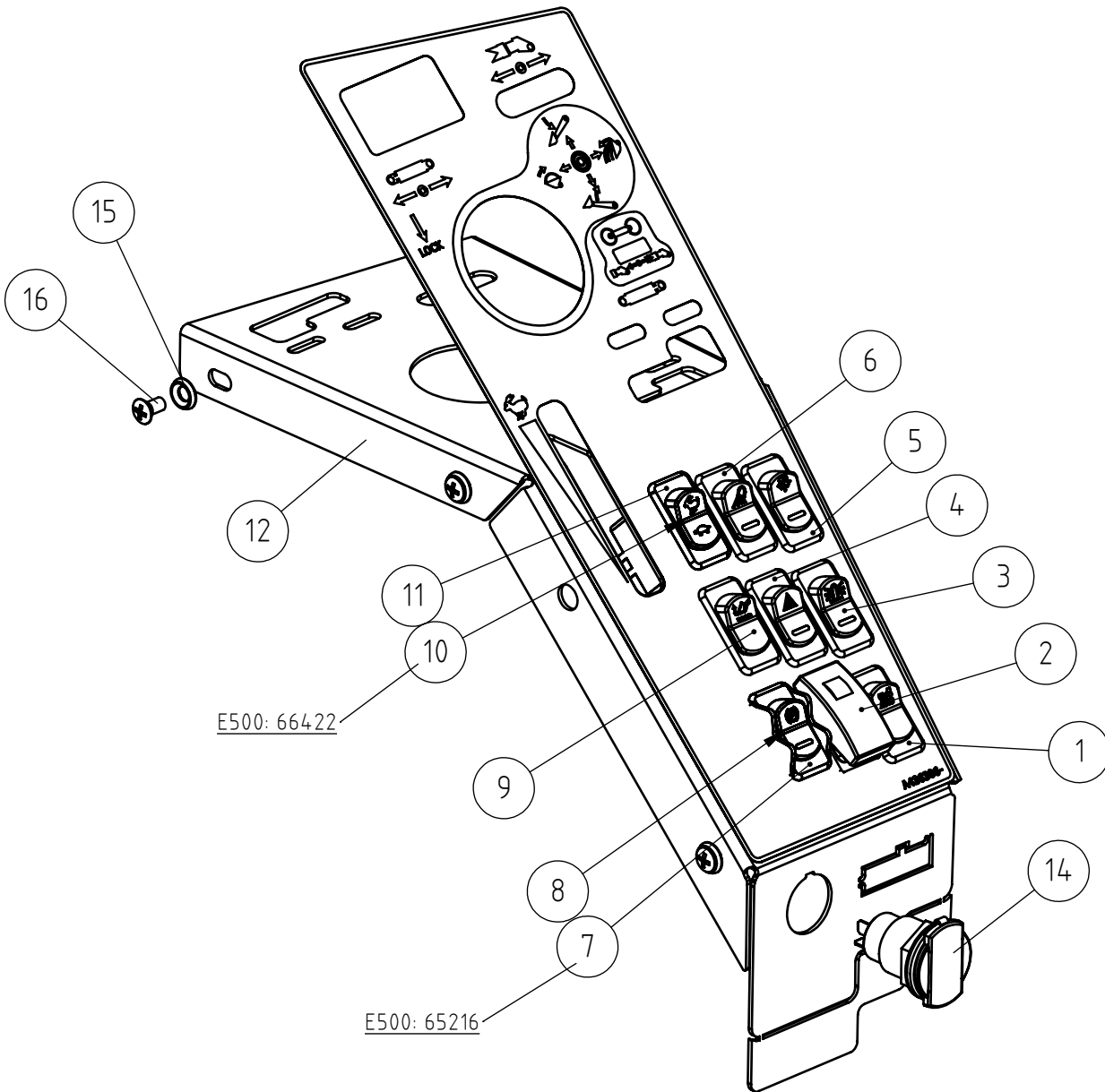
23.2.2024

A462011 SEAT BASE ASSEMBLY 500-700 SERIES

REF	PART NO	QTY	DESCRIPTION	NOTES	PAGE
1	A438092	1	MOUNTING PLATE CONTROL VALVE HDS16		-
2	A439987	1	INSTRUMENT PANEL WITH DECAL 700 / 800		92
3	A47834	1	BAR, LEFT		-
4	A48246	1	SEAT BASE		-
5	A47399	1	FLOOR PLATE		-
6	A47531	1	EDGE PLATE		-
7	74767	1	RAISED COUNTERSUNK HEAD SCREW M6*20		-
8	74768	1	WASHER CONICAL M6		-
9	74781	1	HEXAGONAL NUT M6 WITH FLANGE		-
10	A442639	1	CABLE TIE 7,6*390 M6 BLACK		-
11	A410307	1	FRAME LOCK		-
12	71727	1	LINCH PIN 9,5 MM		-
13	73222	1	HEXAGONAL SCREW M8*40 DIN 933		-
14	74782	1	HEXAGONAL NUT M8 WITH FLANGE		-
15	64188	1	FINGER SCREW R5026M8S		-
16	A47389	1	BAR, RIGHT		-
17	A451202	1	WIRE HARNESS SEAT GRAMMER		-
18	A433798	1	TEMPERATURE SENSOR TF-W		-
19	A454062	1	ARMREST RIGHT 400-700 SERIES ROPS		-
20	A453082	10	HEXAGONAL NUT M10 DIN 6923		-
21	A432196	5	HEXAGONAL SERRATED SCREW M10*20 W. FLANG		-
22	A466189	1			-

23.2.2024

A439987 INSTRUMENT PANEL WITH DECAL 700 / 800



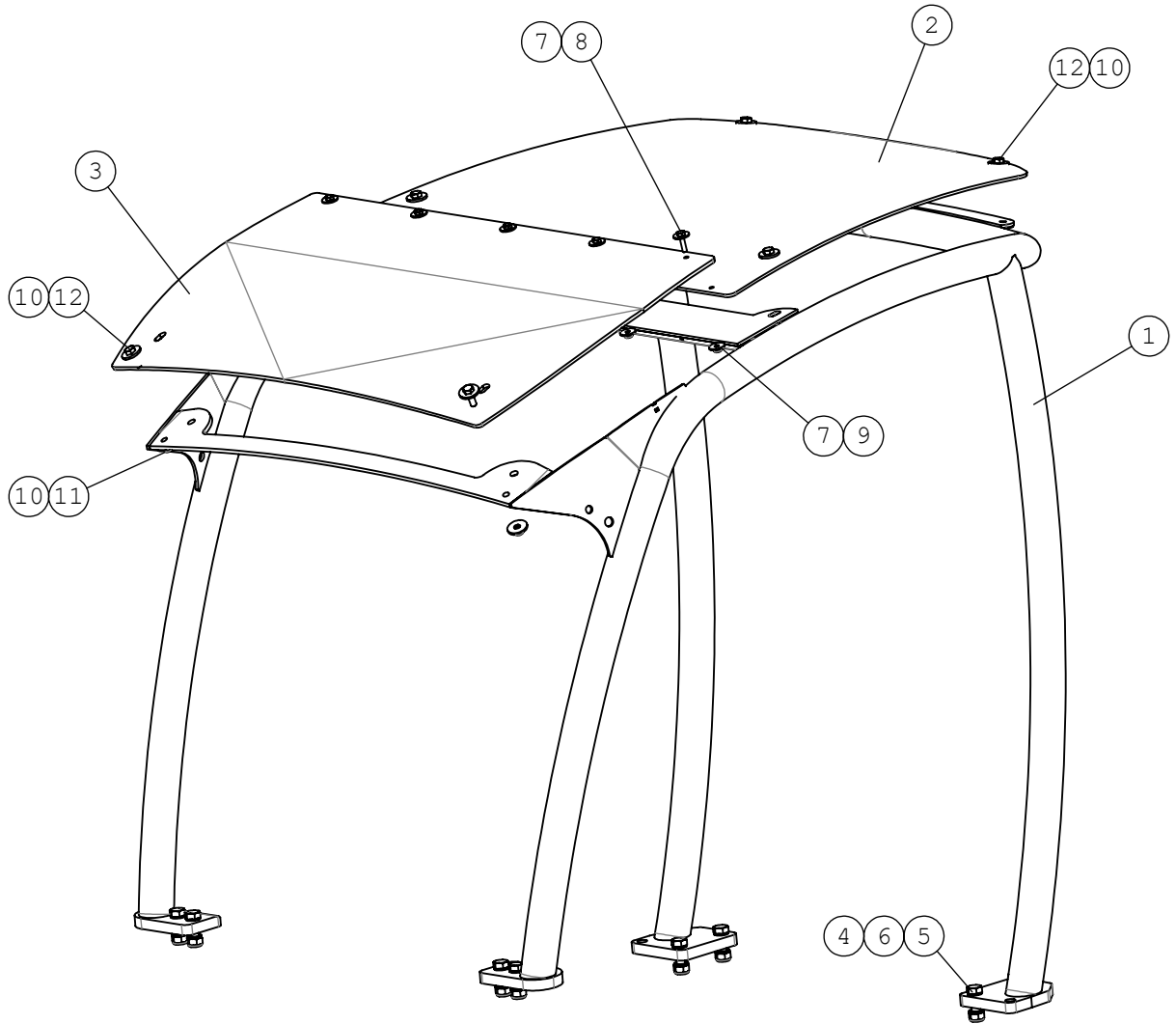
23.2.2024

A439987 INSTRUMENT PANEL WITH DECAL 700 / 800

REF	PART NO	QTY	DESCRIPTION	NOTES	PAGE
1	A437343	1	ROCKER SWITCH OPTICONTROL		-
2	A430996	1	CONTROL SWITCH, HYDR ATTACHMENT COUPLING		-
3	65065	1	SWITCH, BEACON		-
4	65064	1	SWITCH, WARNING BLINKER		-
5	65063	1	SWITCH, WIPER/WASHER		-
6	65066	1	SWITCH, WORK LIGHT		-
7	65216	1	SWITCH, PARKING BRAKE		-
8	A442040	1	SWITCH PARKING BRAKE		-
9	A437190	1	SWITCH SMOOTH DRIVE		-
10	66422	1	SWITCH SLOW-FAST (TURTLE-RABBIT)		-
11	65246	1	SWITCH, DRIVE SPEED AREA (TURTLE-RABBIT)		-
12	A431454	1	PANEL 800 SERIES		-
13	A436386	1	DECAL INSTRUMENT PANEL 800 SERIES		-
14	A436424	1	OUTLET 12V/20A WITH COVER		-
15	74768	3	WASHER CONICAL M6		-
16	75162	3	CROSS HEAD COUNTERS SCREW M6*12		-

23.2.2024

A48906 ROPS FRAME WITH FOPS CANOPY, 500 SERIES

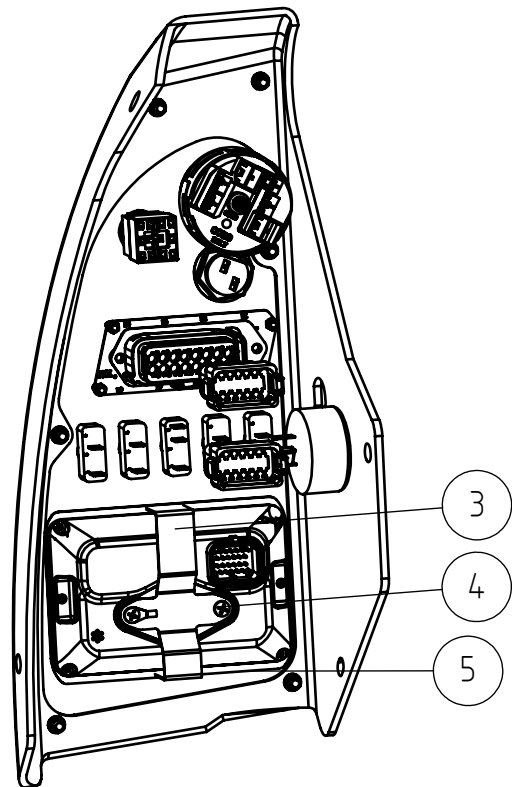
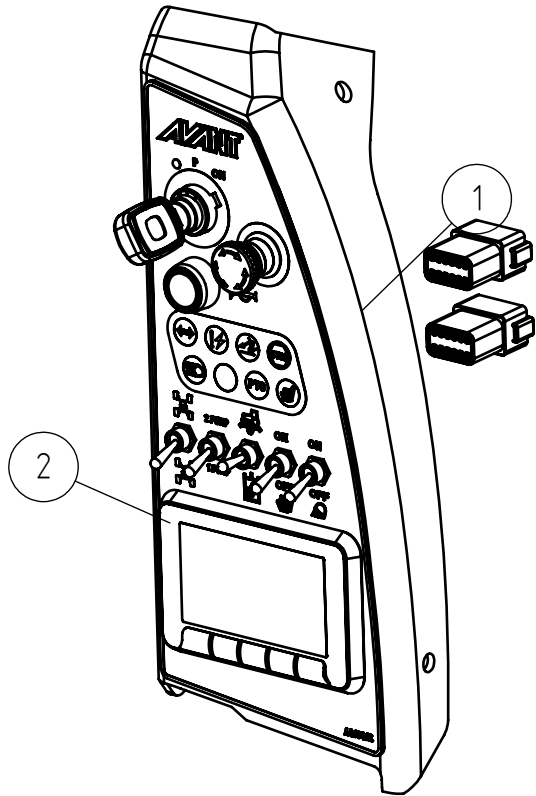


23.2.2024

A48906 ROPS FRAME WITH FOPS CANOPY, 500 SERIES

REF	PART NO	QTY	DESCRIPTION	NOTES	PAGE
1	A33900	1	ROPS FRAME 1040 MM 500 SERIES		-
2	A48905	1	FOPS CANOPY PLATE 500/600/700		-
3	A48909	1	CANOPY, SHORT, POLYCARBONATE (WITH FOPS)		-
4	74532	16	WASHER NORDLOCK NL12		-
5	73322	8	HEXAGONAL SCREW M12*40 DIN 931		-
6	72324	8	HEXAGONAL NUT M 12 NYLOC DIN 985		-
7	71681	10	WASHER M6 DIN 440		-
8	72119	5	HEXAGONAL SCREW M6*25 DIN 933 ZN		-
9	72318	5	HEXAGONAL NUT M 6 DIN 985 NYLOC		-
10	71685	12	WASHER M8 R9 DIN 440 ZN		-
11	72320	6	HEXAGONAL NUT M8 NYLOC DIN 985		-
12	72132	6	HEXAGONAL SCREW M 8*25 DIN 933 ZN		-

A460461 DASHBOARD WITH ACCESSORIES ROPS CAB

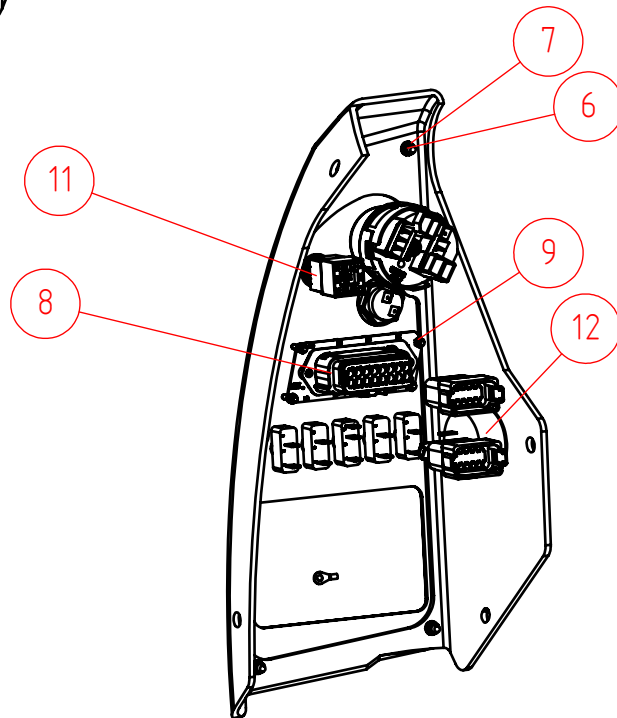
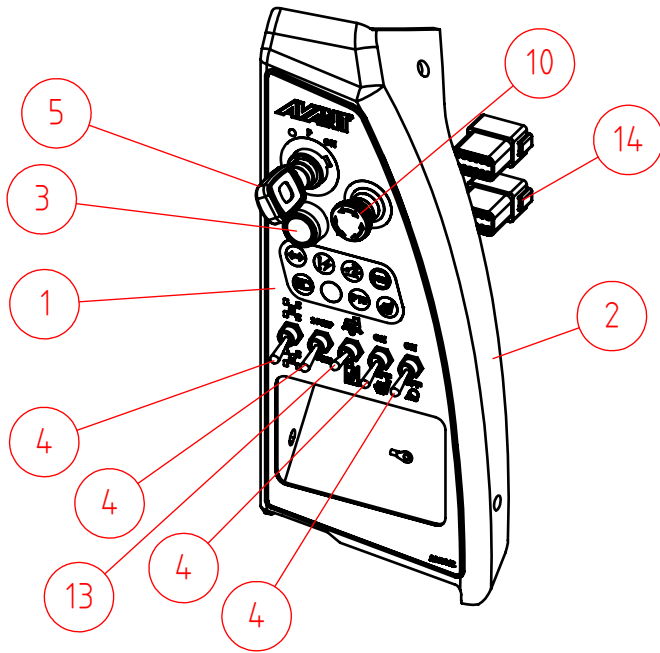


23.2.2024

A460461 DASHBOARD WITH ACCESSORIES ROPS CAB

REF	PART NO	QTY	DESCRIPTION	NOTES	PAGE
1	A460464	1	DASHBOARD FRAME ROPS CAB		98
2	A428466	1	DISPLAY 4,3" COLOUR LED		-
3	A423587	1	MOUNTING PLATE DISPLAY		-
4	A431502	2	PAN HEAD MACHINE SCREW M4*8		-
5	A436780	1	GROUNDING FRAME CANVIEW4 GAUGE PANEL		-

A460464 DASHBOARD FRAME ROPS CAB



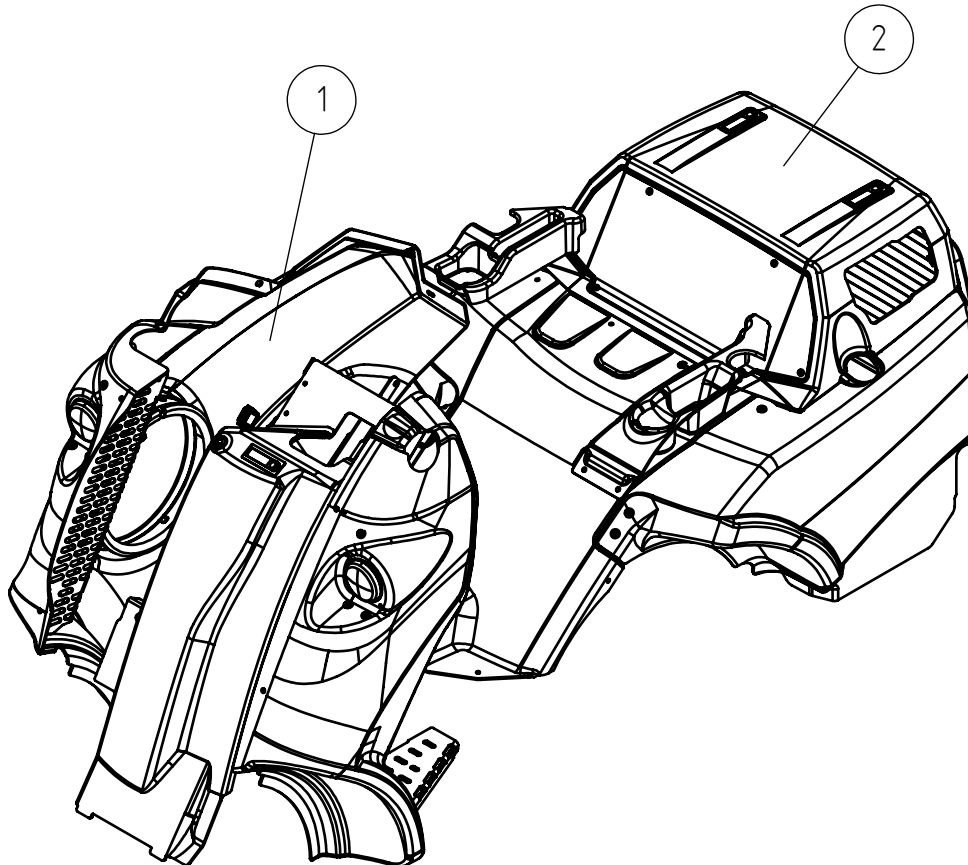
23.2.2024

A460464 DASHBOARD FRAME ROPS CAB

REF	PART NO	QTY	DESCRIPTION	NOTES	PAGE
1	A460465	1	FRAME DASHBOARD		-
2	A418948	1	HOUSING PANEL ABS DASHBOARD		-
3	64074	1	PUSH BUTTON F22,5 SIGNAL HORN		-
4	64602	4	ROCKER SWITCH ON-OFF 2-POLE 250VAC/10A		-
5	A431498	1	IGNITION SWITCH 3 POSITIONS		-
6	72313	6	HEXAGONAL NUT M4 DIN 985 NYLOC		-
7	75097	6	WASHER M4 A4,3 DIN 125		-
8	A425315	1	INDICATOR LIGHTS DASHBOARD		-
9	75151	4	HEXAGONAL NUT M3 DIN 985 NYLOC 2		-
10	A430815	1	EMERGENCY STOP BUTTUN		-
11	A430818	1	CONTACT BLOCK RAFIX 16		-
12	A440326	1	ALARM BEEPER D28,5/D45 -H47		-
13	A442322	1	ROCKER SWITCH ON-OFF-MOM 3-POLE		-
14	A436098	1	WIRE HARNESS DASHBOARD		-

23.2.2024

A465493 COVER PLATES ABS COMPL. KIT E500 SERIES



23.2.2024

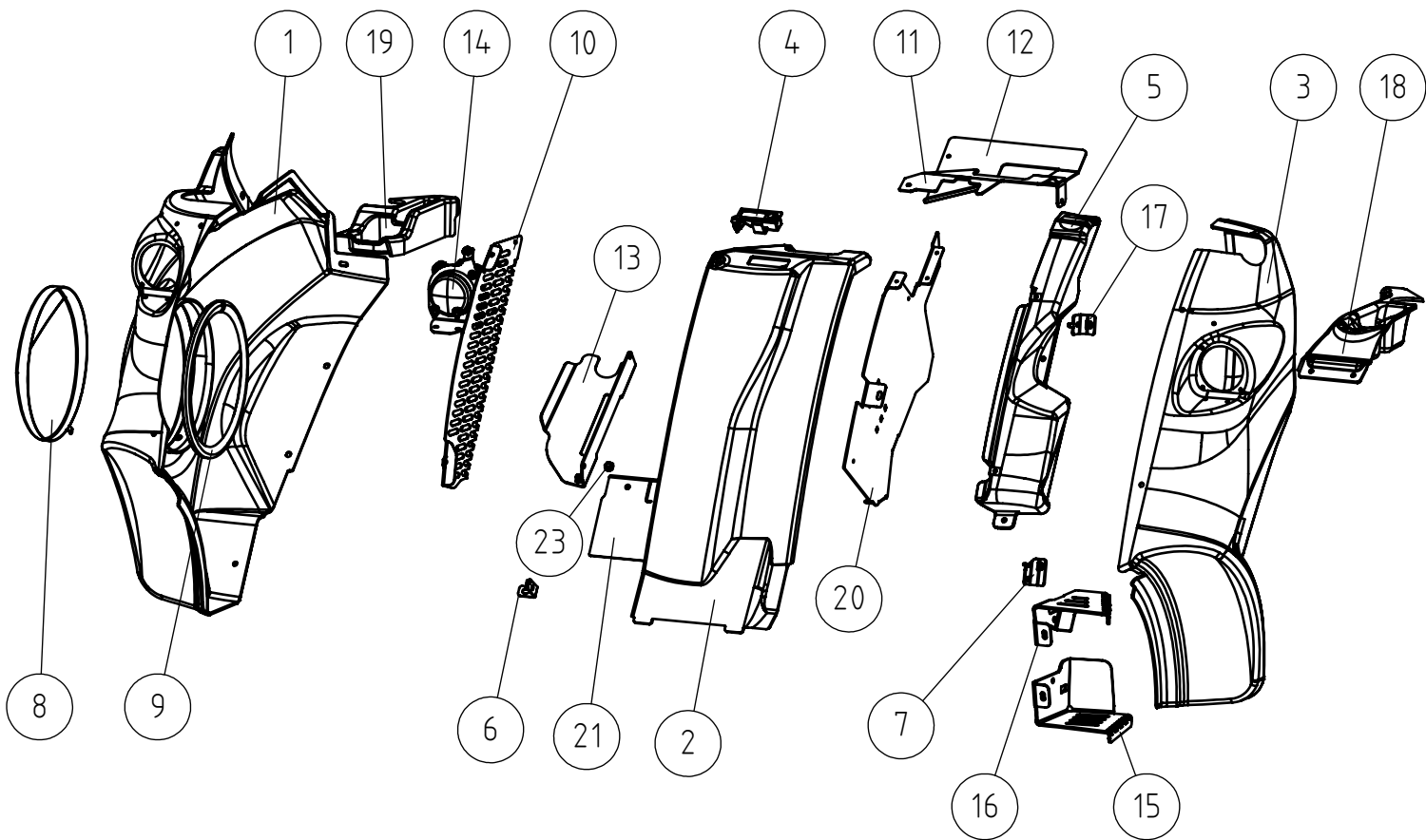
A465493 COVER PLATES ABS COMPL. KIT E500 SERIES

REF	PART NO	QTY	DESCRIPTION	NOTES	PAGE
1*	A446265	1	COVER PLATES FRONT FRAME ABS 500-700	ABS, ROPS	102
1**	A447754	1	COVER PLATES FRONT FRAME POLYCARBONATE	PC/HD (optional extra)	104
1***	A446009	1	COVER PLATES ABS FRONT FRAME CAB GT	ABS	106
2	A464315	1	COVER PLATES ABS REAR FRAME E500		112

23.2.2024

ABS, ROPS

A446265 COVER PLATES FRONT FRAME ABS 500-700



23.2.2024

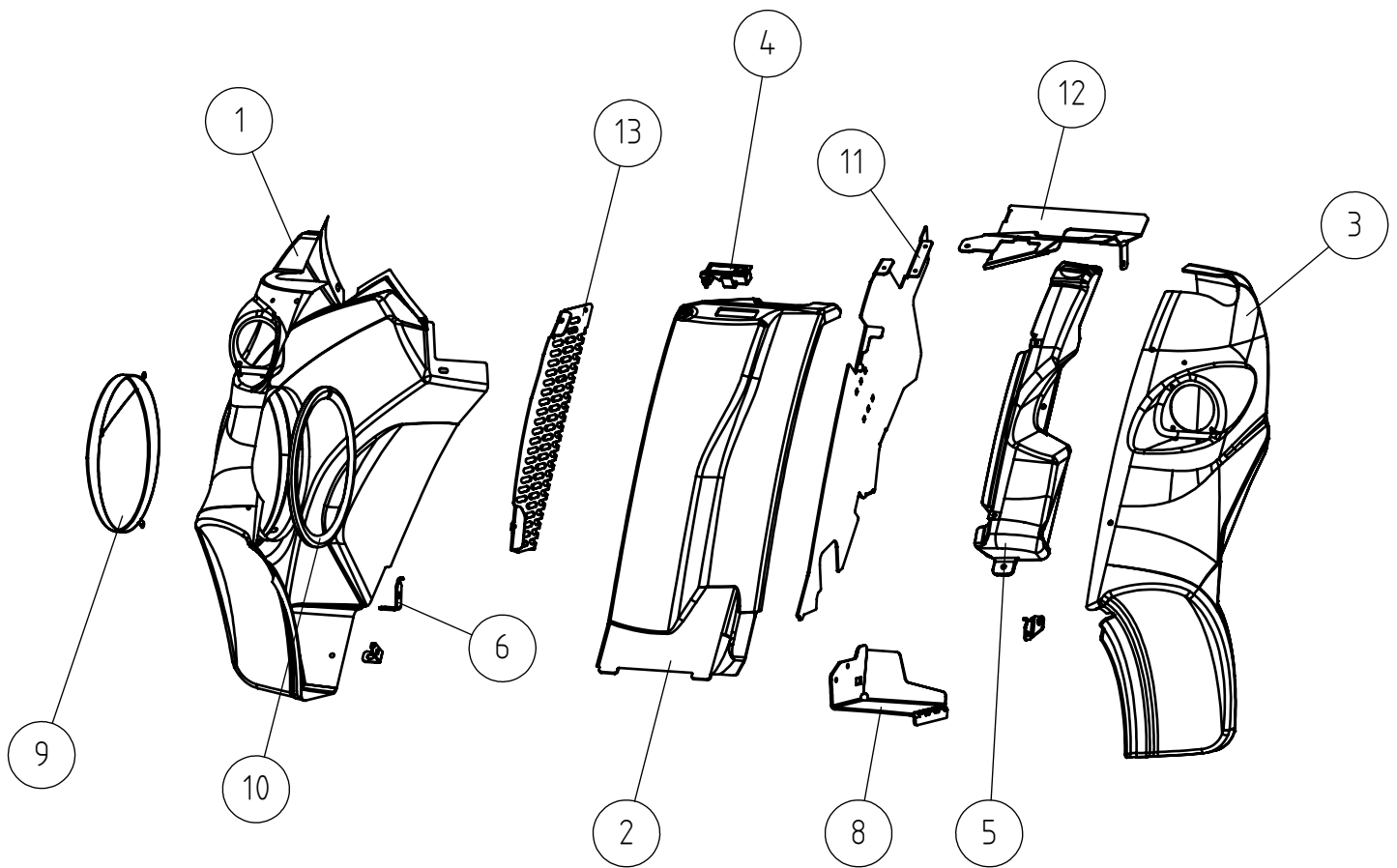
ABS, ROPS

A446265 COVER PLATES FRONT FRAME ABS 500-700

REF	PART NO	QTY	DESCRIPTION	NOTES	PAGE
1	A446215	1	COVER PLATE FRONT RIGHT ABS 500-700		-
2	A445993	1	COVER PLATE FRONT ABS ROPS / GT 500-700		-
3	A446305	1	COVER PLATE FRONT LEFT ABS 500-700		-
4	65085	1	LATCH		-
5	A446048	1	MOUNTING BRACKET COVER PLATE FRONT LEFT		-
6	A446422	1	MOUNTING BRACKET SHORT COVER PLATE		-
7	A450748	1	MOUNTING BRACKET LEFT COVER PLATE		-
8	A431524	1	MESH HYDRAULIC OIL COOLER		-
9	A438435	1	EDGE BANDING, FAN 800 SERIES		-
10	A446221	1	MOUNTING BRACKET COVER PLATE FRONT RIGHT		-
11	A450610	1	MOUNTING BRACKET COVER PLATE FRONT		-
12	A445628	1	MOUNTING BRACKET COVER PLATE FRONT		-
13	A454142	1	MOUNTING BRACKET COVER PLATE FRONT RIGHT		-
14	A450770	1	WORK LIGHTS LED ON FRONT COVERS ASSEMBLY		110
15	A450071	1	STEP, MACHINE WITH ROPS		-
16	A450093	1	STEP, MACHINE WITH ROPS		-
17	A451440	1	MOUNTING BRACKET LEFT COVER PLATE		-
18	A434360	1	CUP HOLDER, LEFT		-
19	A431510	1	CUP HOLDER, RIGHT		-
20	A452905	1	SIDE PLATE		-
21	A452862	1	COVER PLATE DRIVE PEDALS AND ORBITROL		-
22	75069	2	COUPLING NUT M8 DIN 6334		-
23	A429197	2	HEXAGONAL SERRATED SCREW M8*12 W. FLANGE		-

PC/HD (optional extra)

A447754 COVER PLATES FRONT FRAME POLYCARBONATE



23.2.2024

PC/HD (optional extra)

A447754 COVER PLATES FRONT FRAME POLYCARBONATE

REF	PART NO	QTY	DESCRIPTION	NOTES	PAGE
1	A447753	1	COVER PLATE FRONT RIGHT POLYCARBONATE		-
2	A447751	1	COVER PLATE FRONT POLYKARBONAT ROPS / GT		-
3	A447752	1	COVER PLATE FRONT LEFT POLYCARBONATE		-
4	65085	1	LATCH		-
5	A446048	1	MOUNTING BRACKET COVER PLATE FRONT LEFT		-
6	A446422	2	MOUNTING BRACKET SHORT COVER PLATE		-
7	A446430	1	MOUNTING BRACKET LEFT COVER PLATE		-
8	A446412	1	STEP		-
9	A431524	1	MESH HYDRAULIC OIL COOLER		-
10	A438435	1	EDGE BANDING, FAN 800 SERIES		-
11	A445910	1	SIDE PLATE FRONT FRAME RIGHT 500-700		-
12	A445913	1	MOUNTING PLATE UPPER		-
13	A446221	1	MOUNTING BRACKET COVER PLATE FRONT RIGHT		-

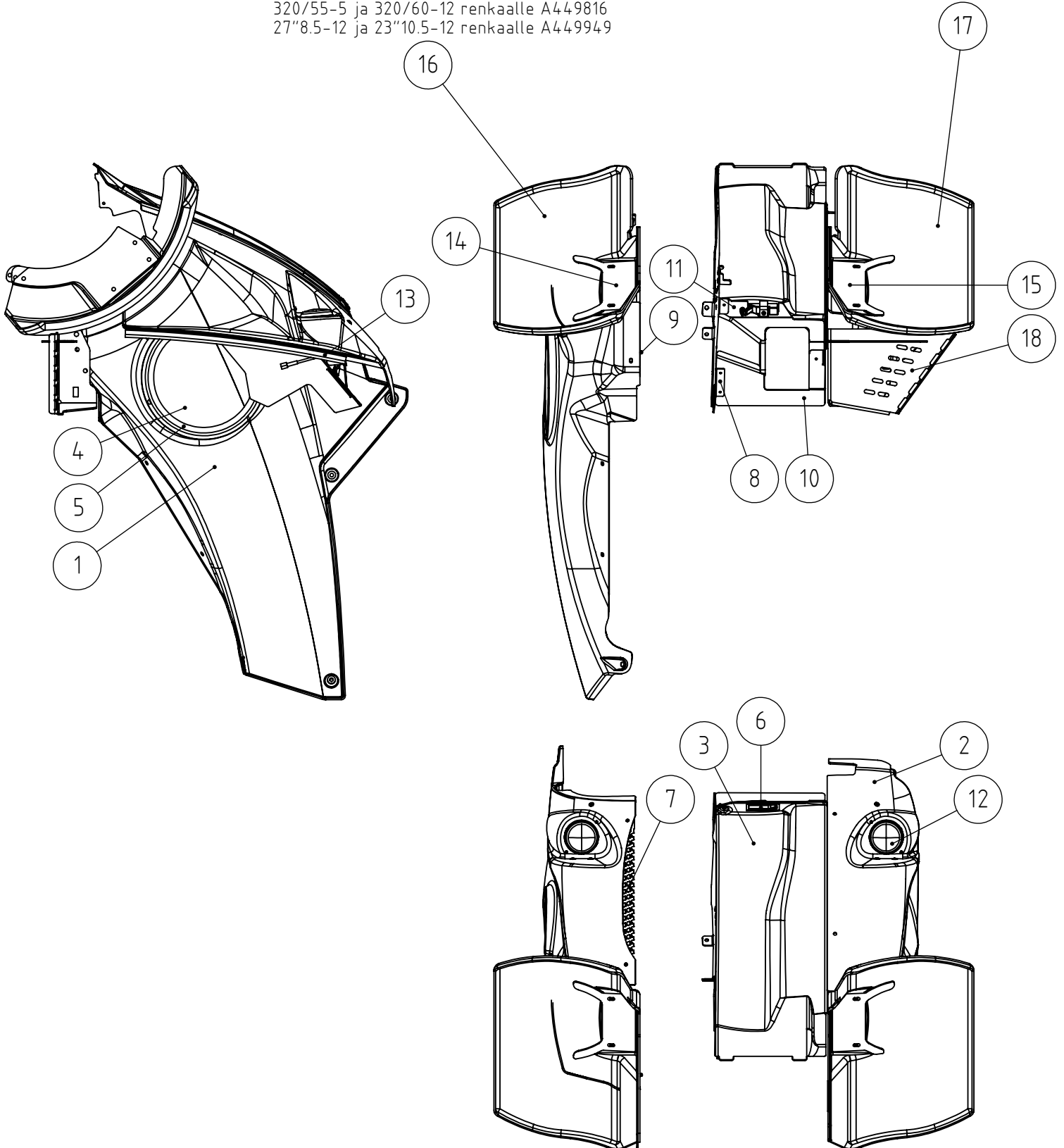
23.2.2024

ABS

A446009 COVER PLATES ABS FRONT FRAME CAB GT

400/50-15 renkaalle
320/55-5 ja 320/60-12 renkaalle A449816
27"8.5-12 ja 23"10.5-12 renkaalle A449949

400/50-15 renkaalle
320/55-5 ja 320/60-12 renkaalle A449817
27"8.5-12 ja 23"10.5-12 renkaalle A449950



23.2.2024

ABS

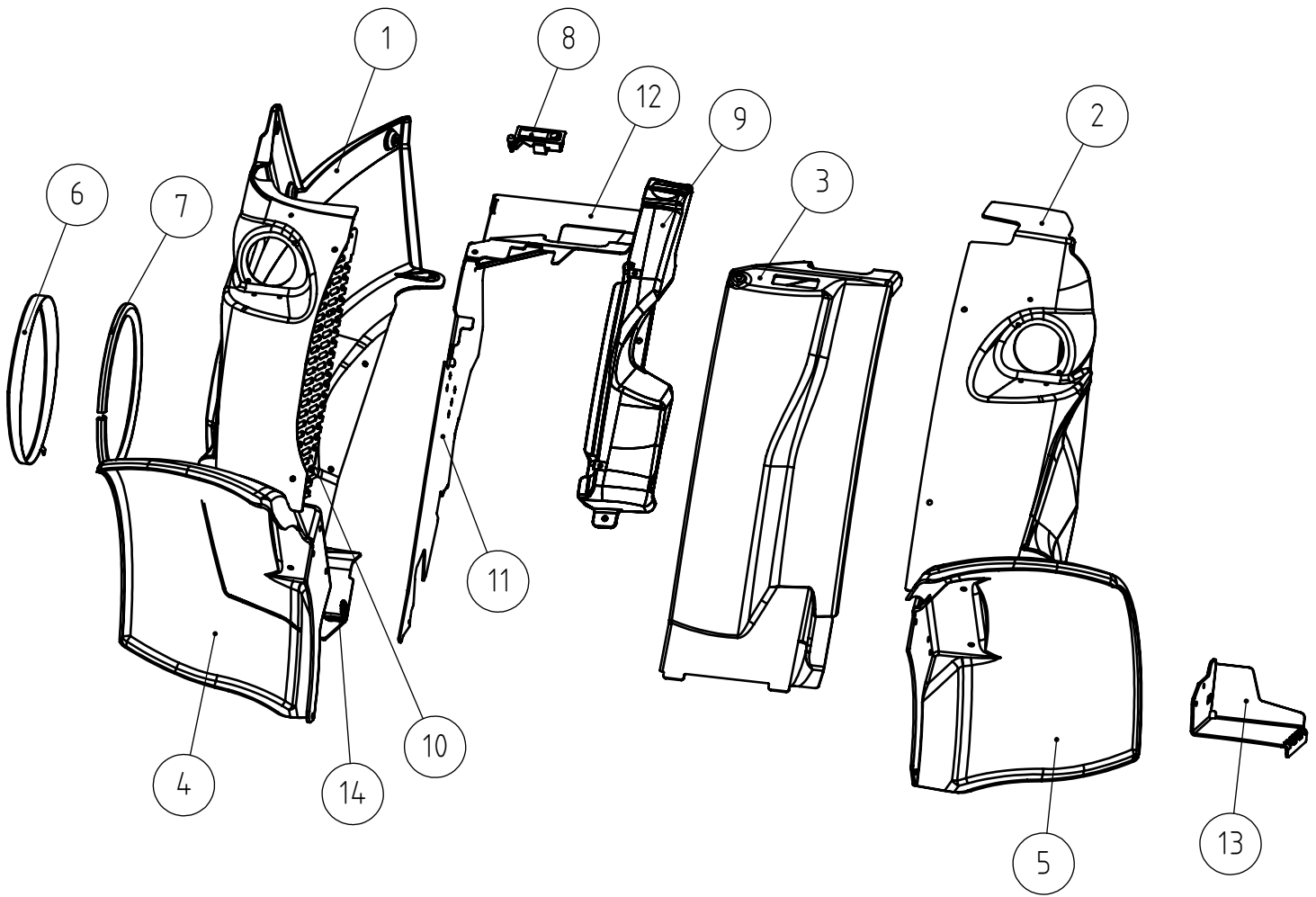
A446009 COVER PLATES ABS FRONT FRAME CAB GT

REF	PART NO	QTY	DESCRIPTION	NOTES	PAGE
1	A446515	1	COVER PLATE FRONT RIGHT ABS CAB GT		-
2	A445992	1	COVER PLATE FRONT LEFT ABS CAB GT		-
3	A445993	1	COVER PLATE FRONT ABS ROPS / GT 500-700		-
4	A431524	1	MESH HYDRAULIC OIL COOLER		-
5	A438435	1	EDGE BANDING, FAN 800 SERIES		-
6	65085	1	LATCH		-
7	A446221	1	MOUNTING BRACKET COVER PLATE FRONT RIGHT		-
8	A445910	1	SIDE PLATE FRONT FRAME RIGHT 500-700		-
9	A446440	1	MOUNTING BRACKET LOWER COVER PLATE FRONT		-
10	A445628	1	MOUNTING BRACKET COVER PLATE FRONT		-
11	A450610	1	MOUNTING BRACKET COVER PLATE FRONT		-
12	A450770	1	WORK LIGHTS LED ON FRONT COVERS ASSEMBLY		110
13	A439852	1	FLIPPER GASKET SINGLE RUBBER L=620 COVER		-
14	A420823	1	BRACKET RIGHT MUDGUARD		-
15	A420824	1	BRACKET LEFT MUDGUARD		-
16	A420821	1	MUDGUARD, FRONT, RIGHT 700 SER 400/50-15		-
17	A420822	1	MUDGUARD, FRONT, LEFT 700 SER 400/50-15		-
18	A451536	1	STEP CAB GT		-

23.2.2024

PC/HD (optional extra)

A447757 COVER PLATES HD POLYCARBONATE FRONT



23.2.2024

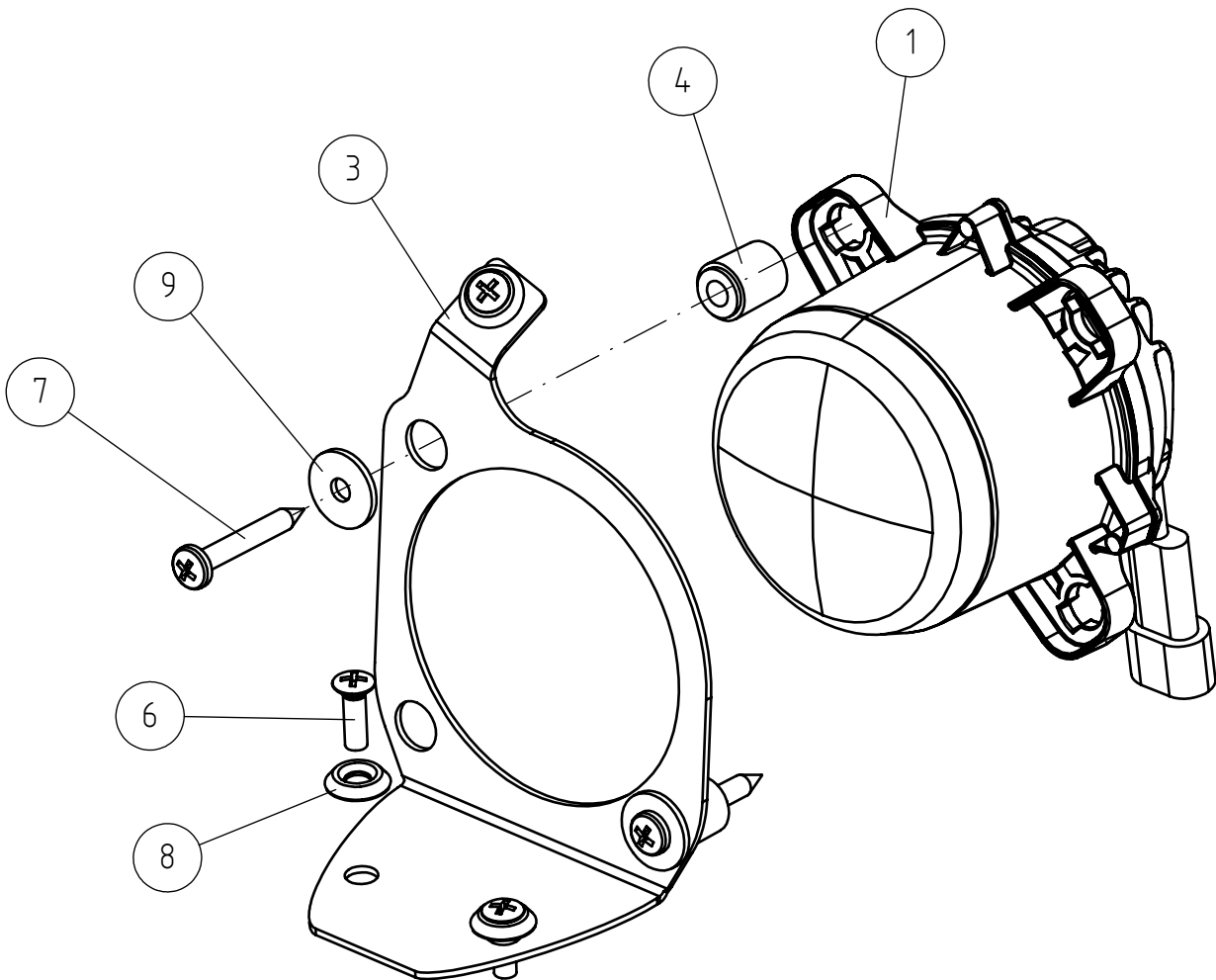
PC/HD (optional extra)

A447757 COVER PLATES HD POLYCARBONATE FRONT

REF	PART NO	QTY	DESCRIPTION	NOTES	PAGE
1	A447750	1	COVER PLATE POLYCARB FRONT RIGHT CAB GT		-
2	A447748	1	COVER PLATE POLYCARB FRONT LEFT CAB GT		-
3	A447751	1	COVER PLATE FRONT POLYKARBONAT ROPS / GT		-
4	A420821	1	MUDGUARD, FRONT, RIGHT 700 SER 400/50-15		-
5	A420822	1	MUDGUARD, FRONT, LEFT 700 SER 400/50-15		-
6	A431524	1	MESH HYDRAULIC OIL COOLER		-
7	A438435	1	EDGE BANDING, FAN 800 SERIES		-
8	65085	1	LATCH		-
9	A446048	2	MOUNTING BRACKET COVER PLATE FRONT LEFT		-
10	A446221	1	MOUNTING BRACKET COVER PLATE FRONT RIGHT		-
11	A445910	1	SIDE PLATE FRONT FRAME RIGHT 500-700		-
12	A445913	1	MOUNTING PLATE UPPER		-
13	A446412	1	STEP		-
14	A446440	1	MOUNTING BRACKET LOWER COVER PLATE FRONT		-

23.2.2024

A450770 WORK LIGHTS LED ON FRONT COVERS ASSEMBLY



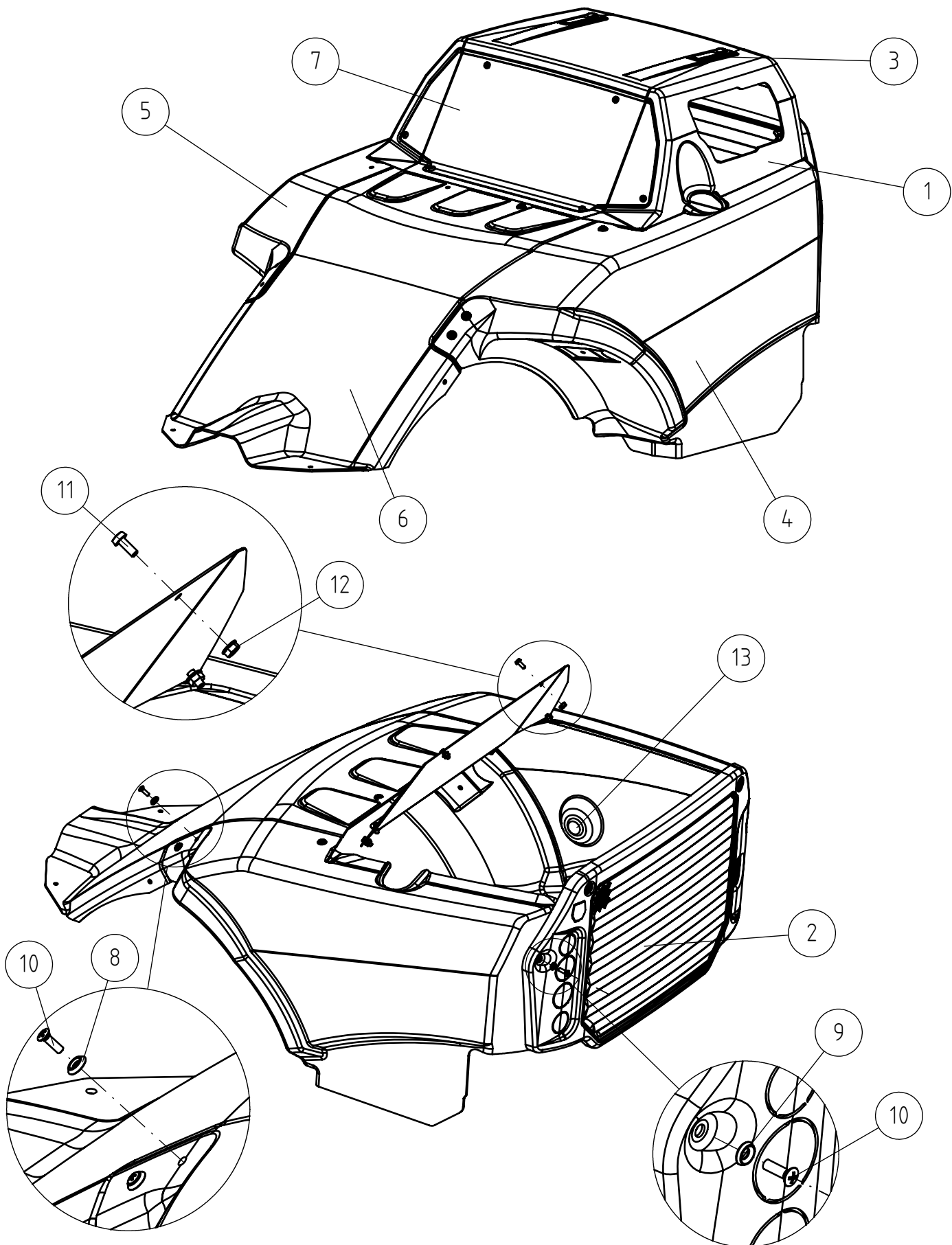
23.2.2024

A450770 WORK LIGHTS LED ON FRONT COVERS ASSEMBLY

REF	PART NO	QTY	DESCRIPTION	NOTES	PAGE
1	A441777	2	WORK LIGHT LED 1000 LUMEN 12V		-
2	A450528	1	MOUNTING BRACKET RIGHT WORK LIGHT LED		-
3	A450553	1	MOUNTING BRACKET LEFT WORK LIGHT LED		-
4	A450763	4	BUSHING FRONT LIGHT		-
5	A436960	1	WIRE HARNESS WORK LIGHTS FRONT		-
6	74767	6	RAISED COUNTERSUNK HEAD SCREW M6*20		-
7	A461980	4	SCREW 6X45		-
8	A422221	6	WASHER M6 GREEN PLASTIC, ANALOG FOR		-
9	71681	4	WASHER M6 DIN 440		-

23.2.2024

A464315 COVER PLATES ABS REAR FRAME E500

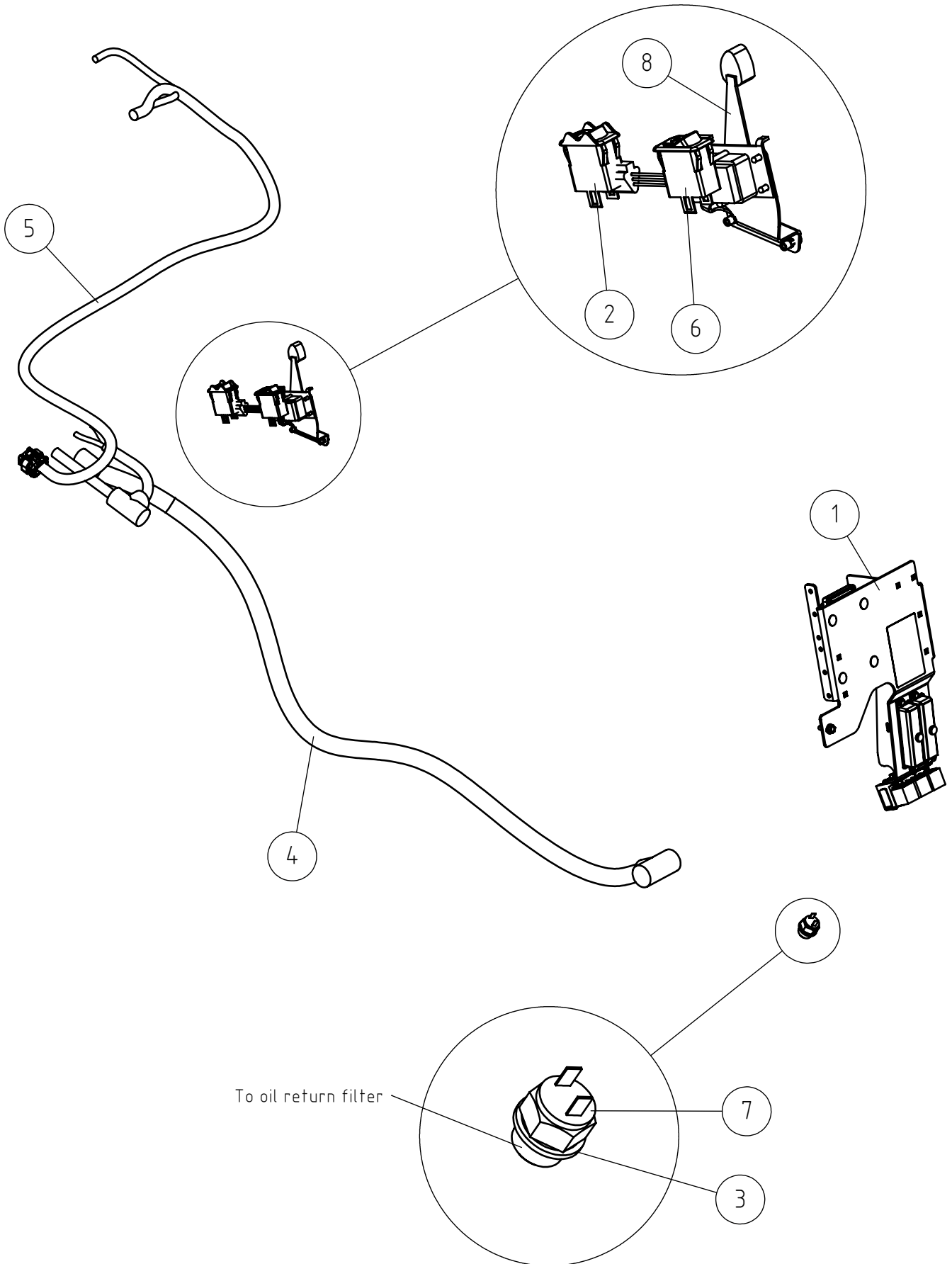


23.2.2024

A464315 COVER PLATES ABS REAR FRAME E500

REF	PART NO	QTY	DESCRIPTION	NOTES	PAGE
1	A462142	1	COVER PLATE MOTORS ABS E500 SERIES		-
2	A446056	1	REAR GRILLE 600 SERIES		-
3	65085	2	LATCH		-
4	A446527	1	COVER PLATE REAR LEFT ABS, 6451/6501		-
5	A446536	1	COVER PLATE REAR RIGHT ABS, 6451/6501		-
6	A446535	1	COVER PLATE REAR FRONT ABS, 6451/6501		-
7	A446779	1	FRONT MESH, COVER PLATE ENGINE 6451/6501		-
8	A422221	4	WASHER M6 GREEN PLASTIC, ANALOG FOR		-
9	74768	4	WASHER CONICAL M6		-
10	74767	8	RAISED COUNTERSUNK HEAD SCREW M6*20		-
11	A437544	6	THREAD-FORMING SCREW BLACK M6*16 DIN		-
12	74781	6	HEXAGONAL NUT M6 WITH FLANGE		-
13	A464570	1	RUBBER PLUG D30X2-4 MM		-

A465507 ELECTRIC COMPONENTS 12V E500



23.2.2024

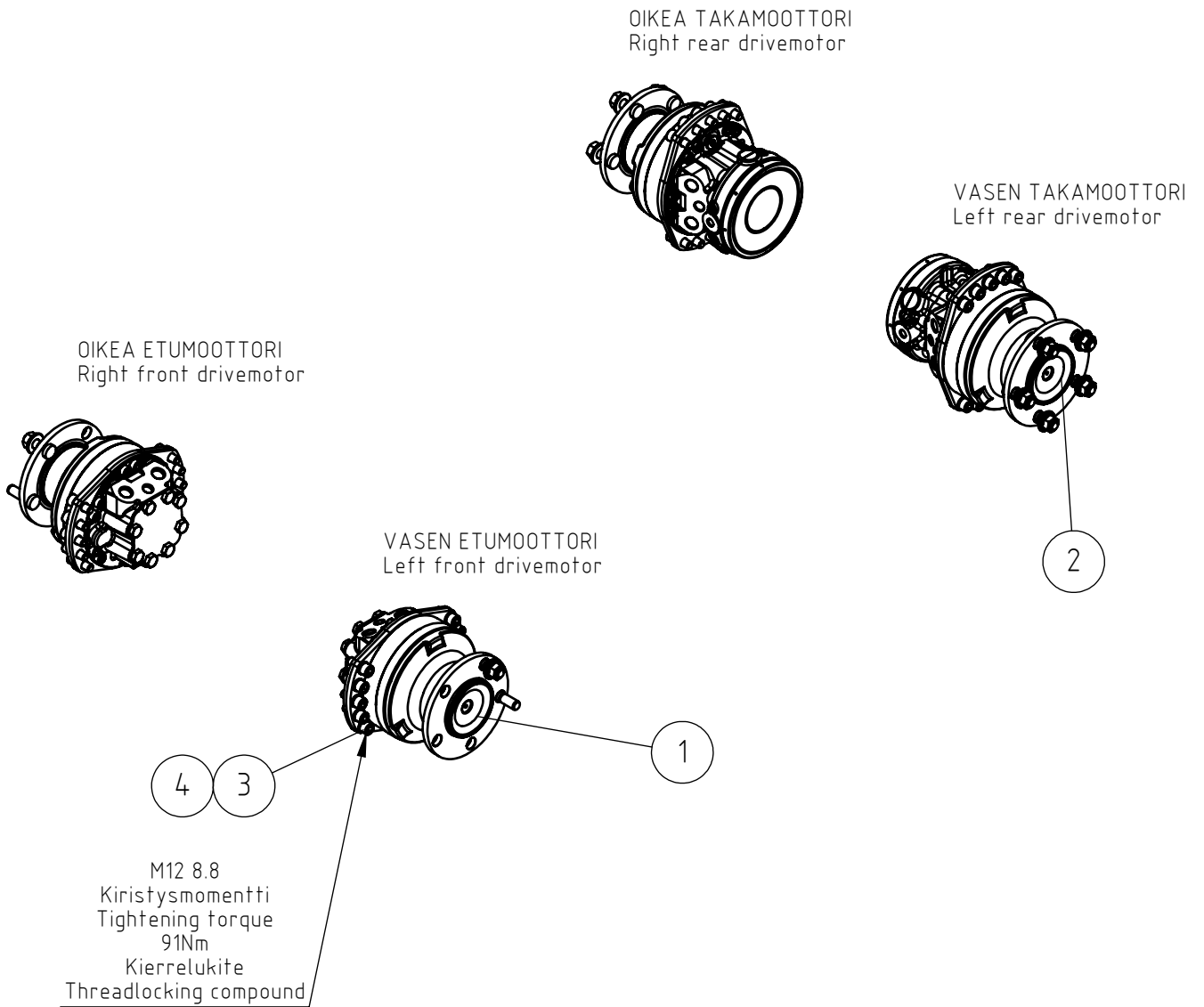
A465507 ELECTRIC COMPONENTS 12V E500

REF	PART NO	QTY	DESCRIPTION	NOTES	PAGE
1	A464835	1	VECU AND FUSE BOXES E500 SERIES		-
2	65216	1	SWITCH, PARKING BRAKE		-
3	73047	1	USIT SEAL RING R/12"		-
4	A458624	1	MAIN WIRE HARNESS E513/E527		-
5	A459893	1	WIRE HARNESS BATTERY-VEHICLE INTERFACE		-
6	66422	1	SWITCH SLOW-FAST (TURTLE-RABBIT)		-
7	64096	1	TEMPERATURE SWITCH 60°C HYDRAULIC OIL		-
8	A452987	1	THROTTLE LEVER ASSEMBLY		-

23.2.2024

Avant 528 (1 speed)

A445134 HYDRAULIC MOTOR ASSEMBLY 364 CCM POCLAIN



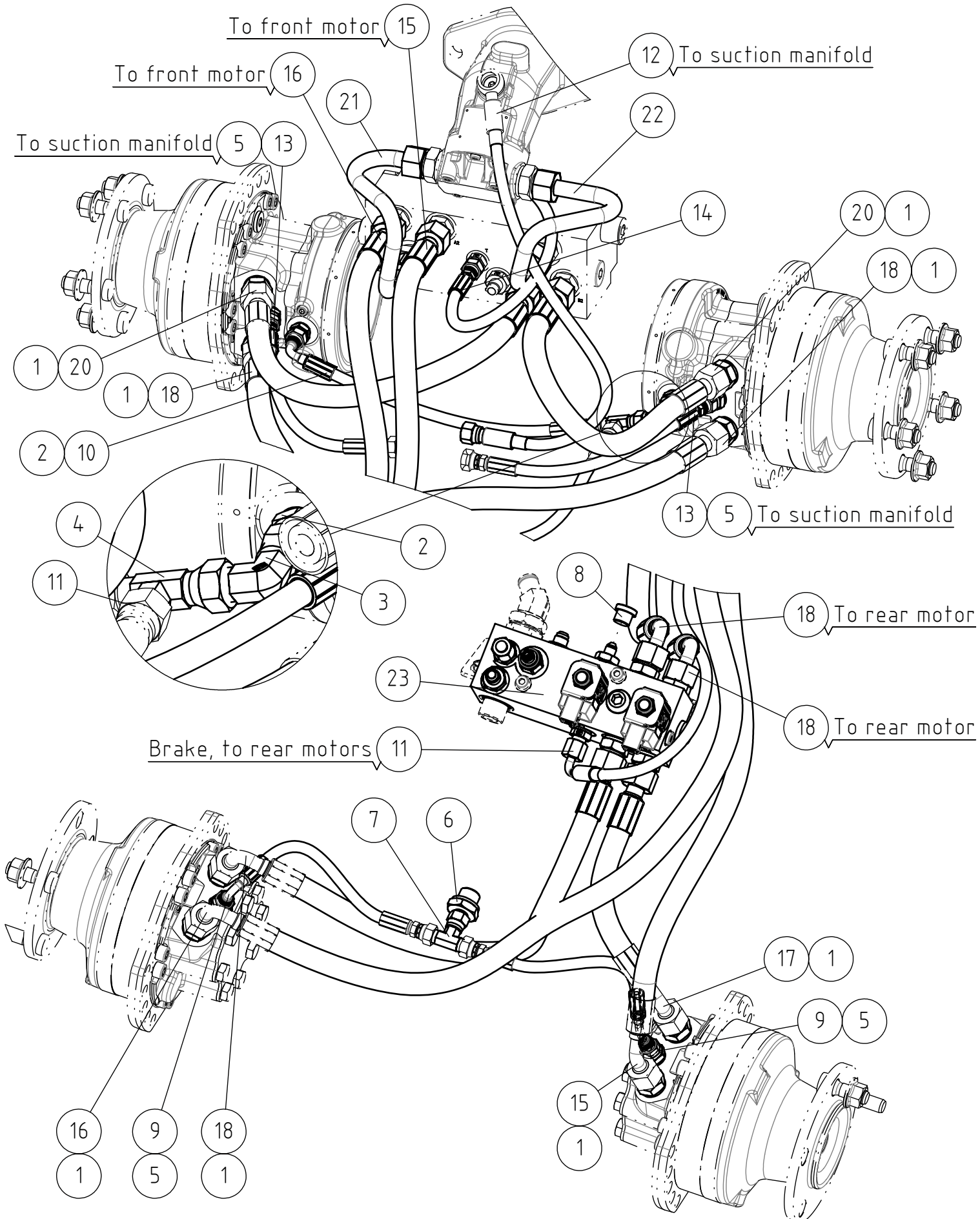
23.2.2024

Avant 528 (1 speed)

A445134 HYDRAULIC MOTOR ASSEMBLY 364 CCM POCLAIN

REF	PART NO	QTY	DESCRIPTION	NOTES	PAGE
1	66011	2	HYDRAULIC MOTOR MSE02 364CCM		-
2	66012	2	HYDRAULIC MOTOR B MSE02 364CCM, W. BRAKE		-
3	74846	40	HEXAGONAL HEAD SCREW M12*30 DIN912		-
4	74532	40	WASHER NORDLOCK NL12		-

A462184 HYDR. HOSES DRIVE E500



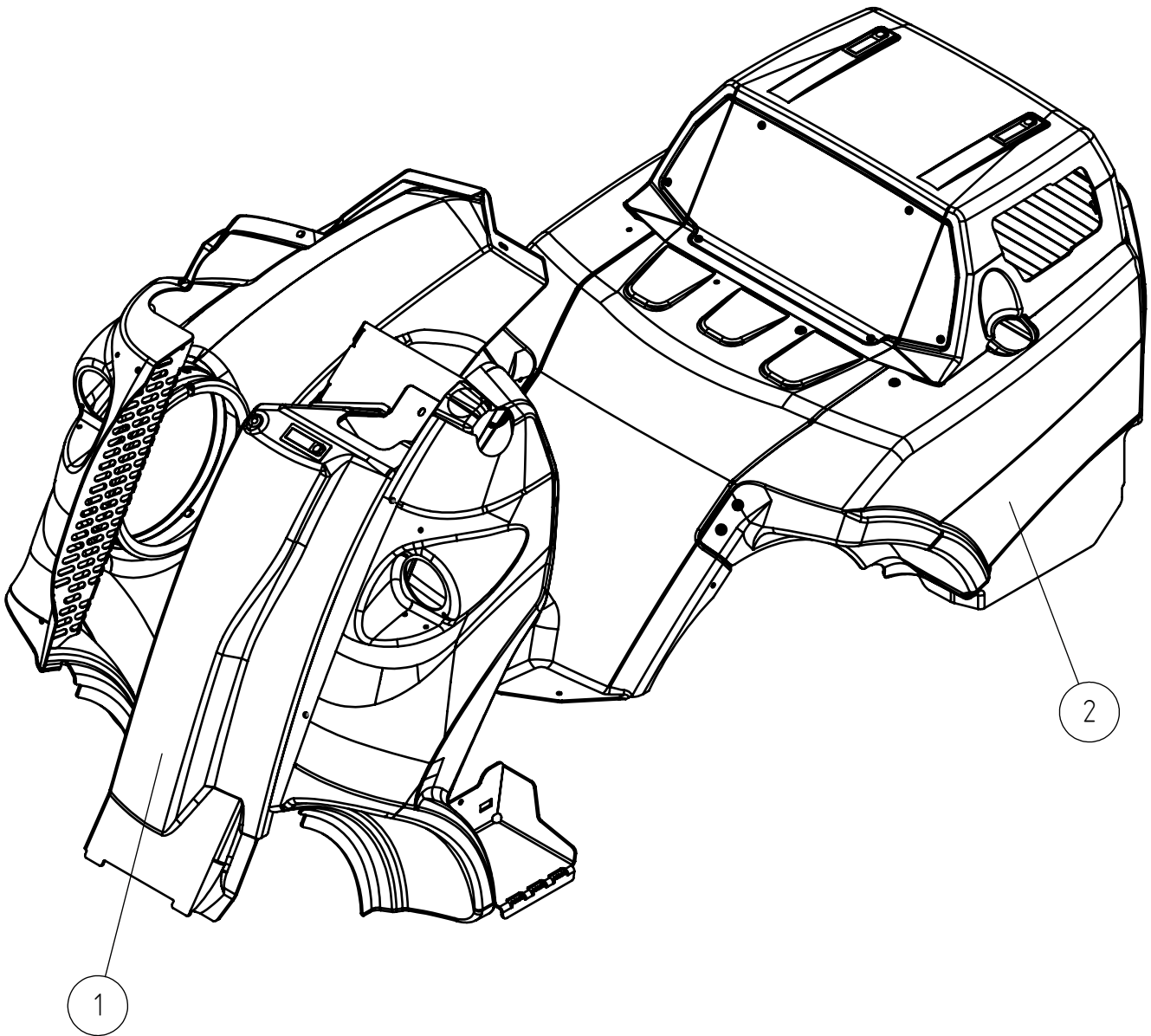
23.2.2024

A462184 HYDR. HOSES DRIVE E500

REF	PART NO	QTY	DESCRIPTION	NOTES	PAGE
1	A449892	8	BASIC FITTING G1/2" M24*1,5		-
2	64059	2	BASIC FITTING F40XS10-1/4		-
3	64043	1	ELBOW FITTING 90° C6XS10		-
4	64078	1	L-FITTING BODY R6XS10		-
5	64041	4	BASIC FITTING F40XS10-3/8 /8		-
6	64040	1	BASIC FITTING F40XS10-1/2 /2		-
7	64070	1	T FITTING S6XS10		-
8	74411	1	HEXAGONAL PLUG HF 3/8" HTUNG		-
9	A410165	2	HYDR. HOSE L=300		-
10	A410094	1	HYDR. HOSE L=350		-
11	A410093	1	HYDR. HOSE L=1200		-
12	A412039	1	HYDR. HOSE L=600		-
13	A428535	2	HYDR. HOSE L=350		-
14	A463497	1	HYDR. HOSE L=400		-
15	A452995	1	HYDR. HOSE L=1260		-
16	A451432	1	HYDR. HOSE L=1660		-
17	A451297	1	HYDR. HOSE L=330		-
18	A451295	1	HYDR. HOSE L=630		-

23.2.2024

A459421 COVER PLATES KIT HD POLYCARBONATE E513



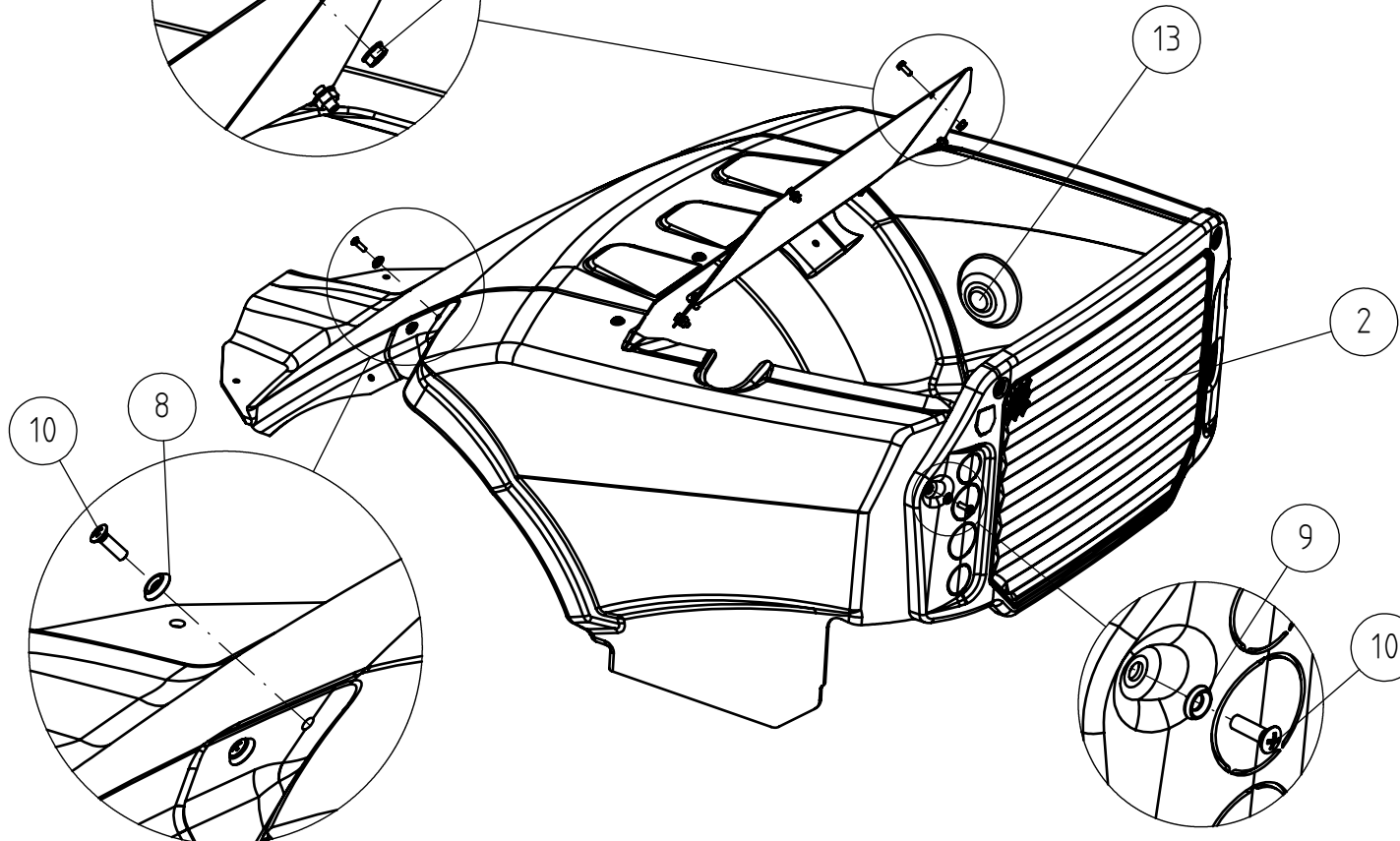
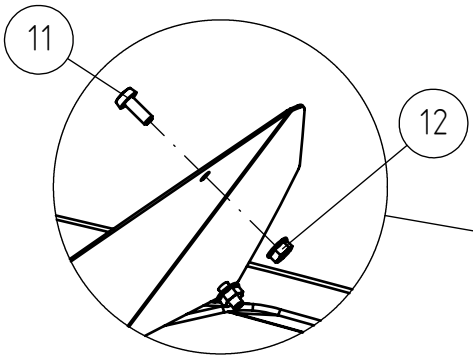
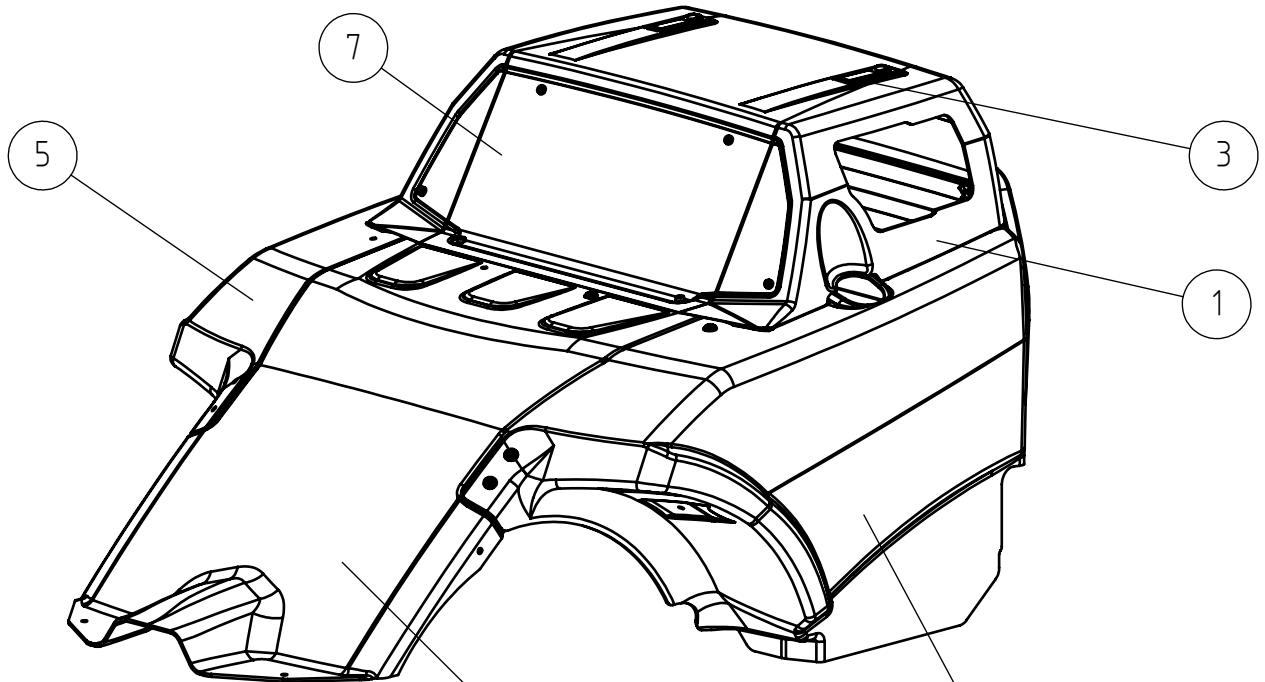
23.2.2024

A459421 COVER PLATES KIT HD POLYCARBONATE E513

REF	PART NO	QTY	DESCRIPTION	NOTES	PAGE
1	A447754	1	COVER PLATES FRONT FRAME POLYCARBONATE	PC/HD (optional extra)	104
2	A464722	1	COVER PLATES HD POLYCARBONATE REAR FRAME		122

23.2.2024

A464722 COVER PLATES HD POLYCARBONATE REAR FRAME



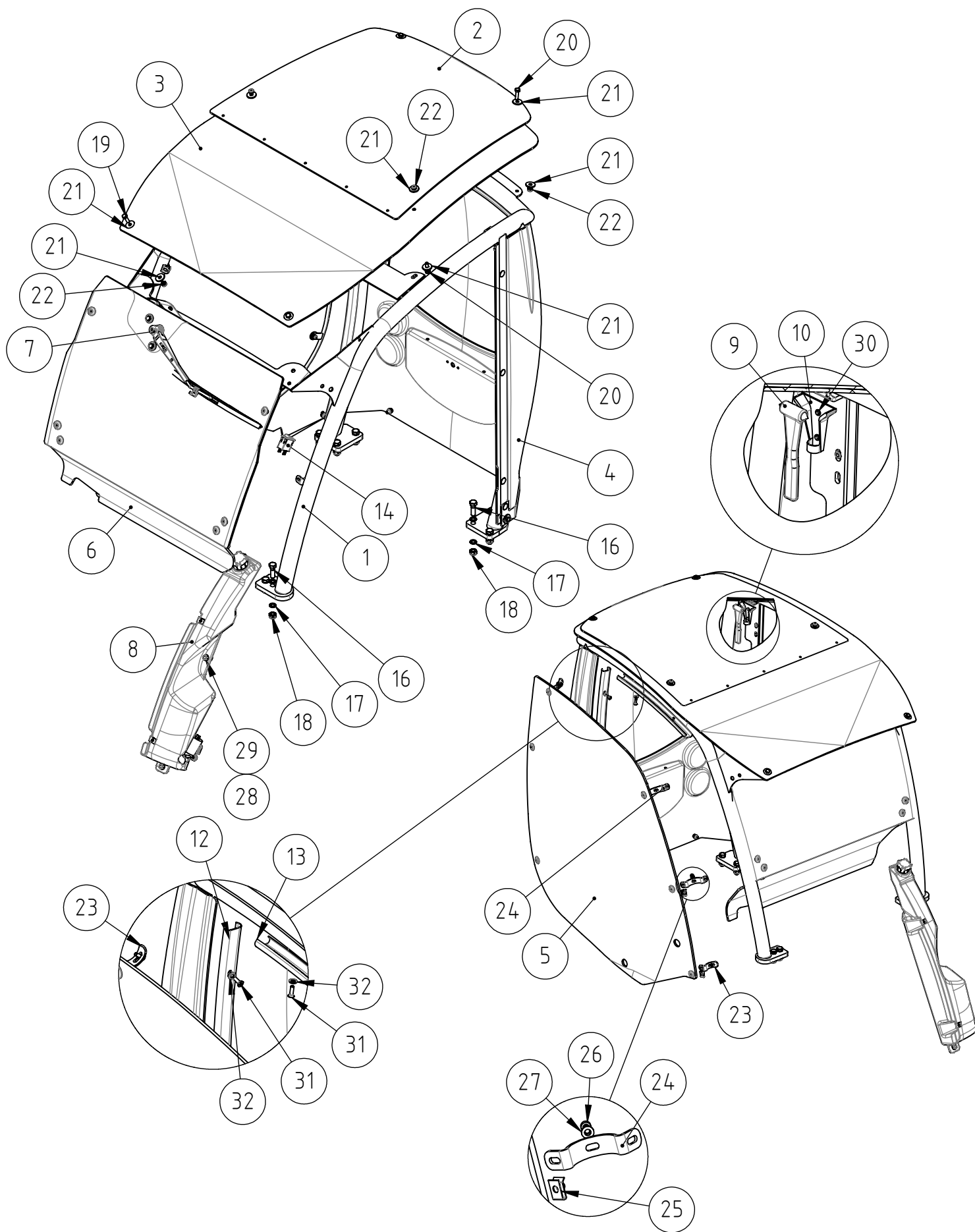
23.2.2024

A464722 COVER PLATES HD POLYCARBONATE REAR FRAME

REF	PART NO	QTY	DESCRIPTION	NOTES	PAGE
1	A465506	1	COVER PLATE MOTORS POLYCARBONATE E500		-
2	A446056	1	REAR GRILLE 600 SERIES		-
3	65085	2	LATCH		-
4	A446575	1	COVER PLATE POLYCARB REAR LEFT 645I/650I		-
5	A446576	1	COVER PLATE POLYCARB REAR RIGHT		-
6	A446535	1	COVER PLATE REAR FRONT ABS, 645I/650I		-
7	A446779	1	FRONT MESH, COVER PLATE ENGINE 645I/650I		-
8	A422221	4	WASHER M6 GREEN PLASTIC, ANALOG FOR		-
9	74768	4	WASHER CONICAL M6		-
10	74767	8	RAISED COUNTERSUNK HEAD SCREW M6*20		-
11	A437544	6	THREAD-FORMING SCREW BLACK M6*16 DIN		-
12	74781	6	HEXAGONAL NUT M6 WITH FLANGE		-
13	A464570	1	RUBBER PLUG D30X2-4 MM		-

23.2.2024

A449937 CAB L



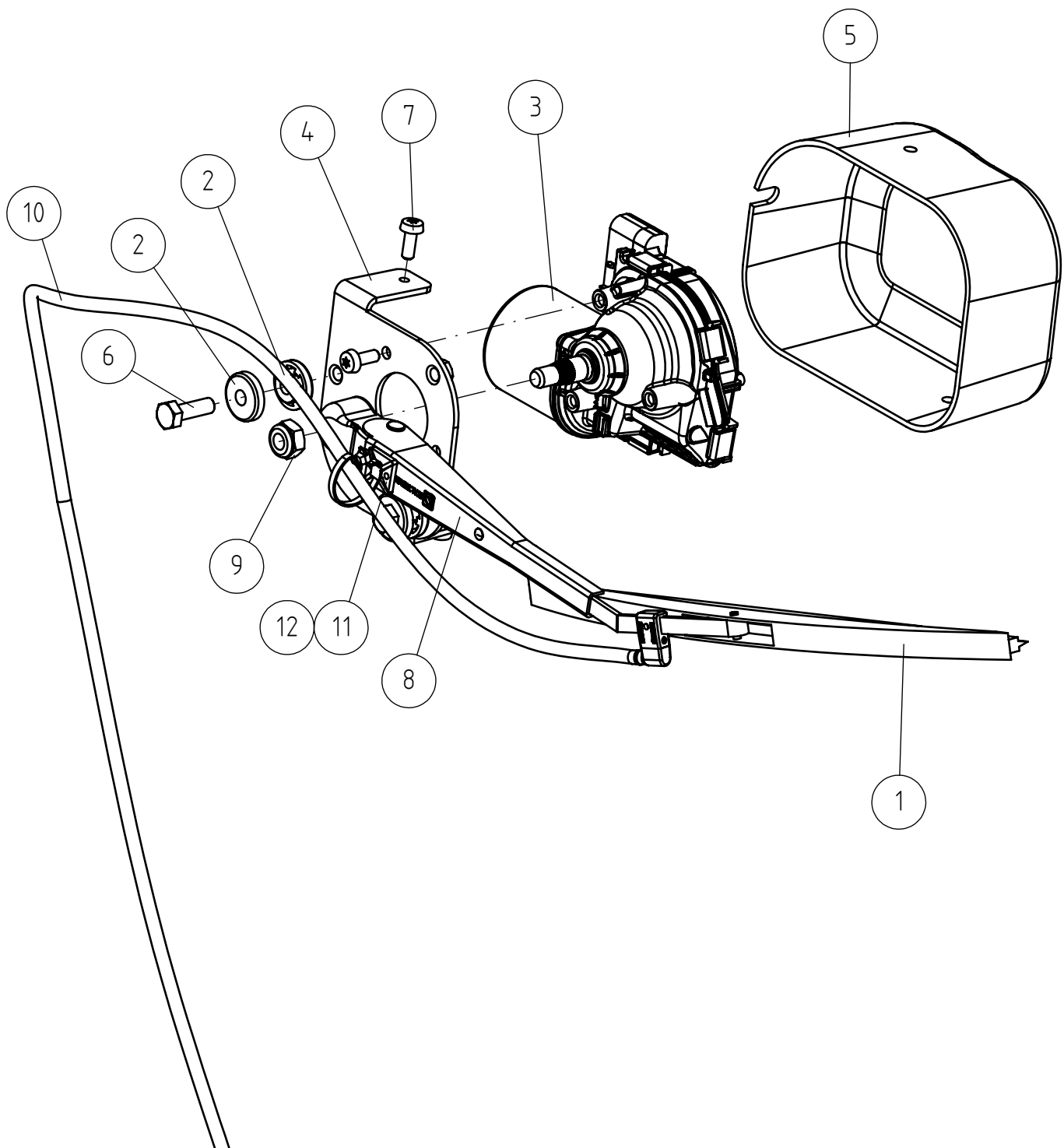
23.2.2024

A449937 CAB L

REF	PART NO	QTY	DESCRIPTION	NOTES	PAGE
1	A33920	1	ROPS FRAME 1090 MM 600/700 SERIES		-
2	A48905	1	FOPS CANOPY PLATE 500/600/700		-
3	A410091	1	CANOPY, POLYCARBONATE		-
4	A49446	1	REAR WALL WITH WINDOW 500/600/700/R/E		-
5	A49451	1	WINDOW, RIGHT, COMPLETE, CAB L 500-700		-
6	A443961	1	WINDSCREEN ASSEMBLY CAB L 500/600/700/E		-
7	A443979	1	WINDSCREEN WIPER ASSEMBLY CAB L 523-7601		126
8	A446010	1	TANK ASSEMBLY WINDSCREEN WASHER		128
9	64986	1	EMERGENCY HAMMER HAPPICH RED		-
10	A432729	1	BRACKET, EMERGENCY HAMMER 64986		-
11	A411021	1	DECAL "EMERGENCY EXIT"		-
12	A49080	1	COVER STRIP, SIDE		-
13	A49079	1	COVER STRIP, MIDDLE		-
14	65063	1	SWITCH, WIPER/WASHER		-
15	A441037	1	WIRE HARNESS CAB L AVANT 700-800		-
16	73322	10	HEXAGONAL SCREW M12*40 DIN 931		-
17	74532	20	WASHER NORDLOCK NL12		-
18	72324	10	HEXAGONAL NUT M 12 NYLOC DIN 985		-
19	72132	2	HEXAGONAL SCREW M 8*25 DIN 933 ZN		-
20	72133	4	HEXAGONAL SCREW M8*30 DIN 933		-
21	71685	12	WASHER M8 R9 DIN 440 ZN		-
22	72320	6	HEXAGONAL NUT M8 NYLOC DIN 985		-
23	A49699	4	MOUNTING BRACKET ONE SIDED		-
24	A49698	2	MOUNTING BRACKET TWO SIDED		-
25	75172	4	SPEED NUT M5 FOR 0.5-4.0 MM PLATE		-
26	73766	6	HEXAGONAL HEAD SCREW M6*16 DIN 912 2 8.8		-
27	71680	6	WASHER M6 DIN 125		-
28	A450046	2	HEXAGONAL NUT M8 WITH FLANGE		-
29	A429202	2	HEXAGONAL SERRATED SCREW M8*25 WITH FLAN		-
30	A429345	2	PAN HEAD MACHINE SCREW M4*10		-
31	74767	5	RAISED COUNTERSUNK HEAD SCREW M6*20		-
32	74768	5	WASHER CONICAL M6		-

23.2.2024

A443979 WINDSCREEN WIPER ASSEMBLY CAB L 523-760I

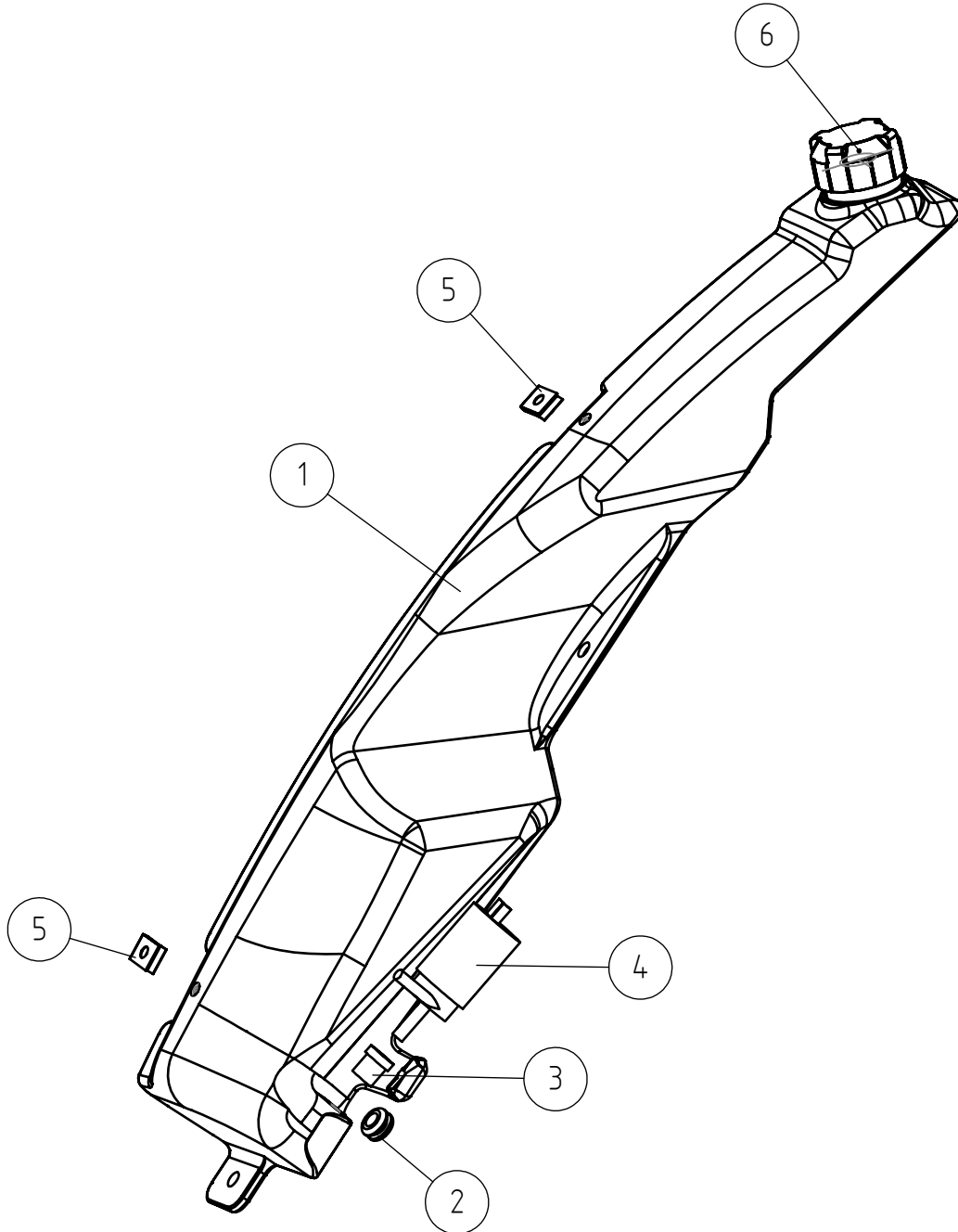


23.2.2024

A443979 WINDSCREEN WIPER ASSEMBLY CAB L 523-760I

REF	PART NO	QTY	DESCRIPTION	NOTES	PAGE
1	A440135	1	WIPER BLADE L=400MM		-
2	A441784	4	BUSHING PLASTIC D16,9/D8 - L8,1		-
3	A446829	1	ELECTRIC MOTOR PROGRAMMED WINDSCREEN		-
4	A440457	1	BRACKET MOTOR WINDSCREEN WIPER		-
5	A440716	1	COVER MOTOR WINDSCREEN WIPER		-
6	A427795	2	HEXAGONAL SCREW M8*25 DIN 933 8.8		-
7	A437544	4	THREAD-FORMING SCREW BLACK M6*16 DIN		-
8	A443799	1	ARM, WINDSCREEN WIPER M10 L=302 WITH		-
9	72322	1	HEXAGONAL NUT M 10 NYLOC DIN 985		-
10	A460684	1	HOSE WINDSCREEN WASHER CAB L		-
11	A455710	1	SOCKET ADHESIVE 19X19 CABLE TIE		-
12	A431459	1	CABLE TIE 3,6*281 BLACK		-

A446010 TANK ASSEMBLY WINDSCREEN WASHER



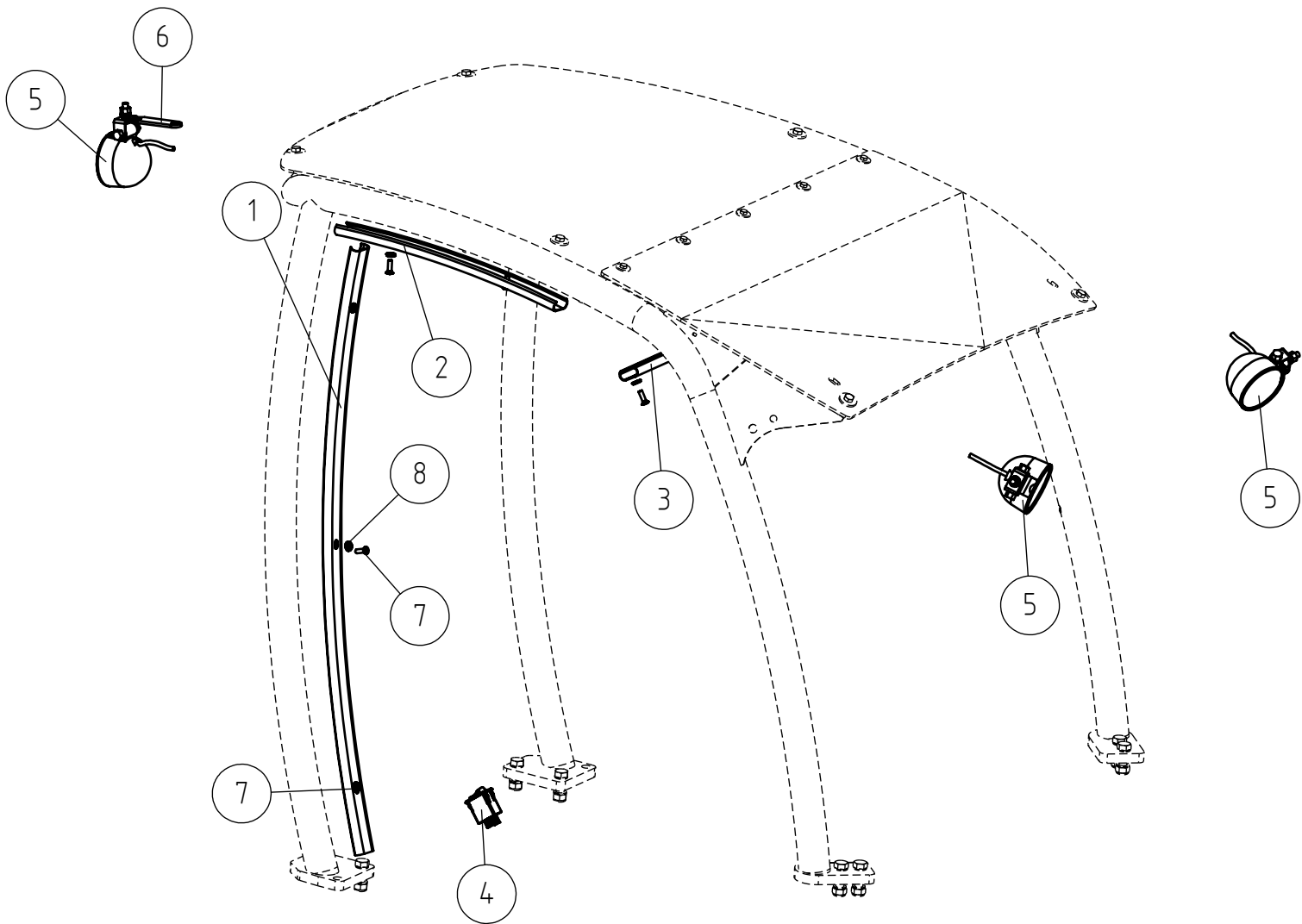
23.2.2024

A446010 TANK ASSEMBLY WINDSCREEN WASHER

REF	PART NO	QTY	DESCRIPTION	NOTES	PAGE
1	A450244	1	TANK WITH CAP WINDSCREEN WASHER		-
2	64865	1	GROMMET F18/12/9,51-3		-
3	64991	1	GROMMET F18/14/6, H14/H5 ,2012306		-
4	65017	1	PUMP 12V, WINDSCREEN WASHER		-
5	74807	2	SPEED NUT M6, FOR 0.5-4.0 MM PLATE		-
6	A436327	1	CAP, TANK WINDSCREEN WASHER 800 SERIES		-

23.2.2024

A438520 WORK LIGHT KIT, 3 LED LIGHTS 700 LUMEN



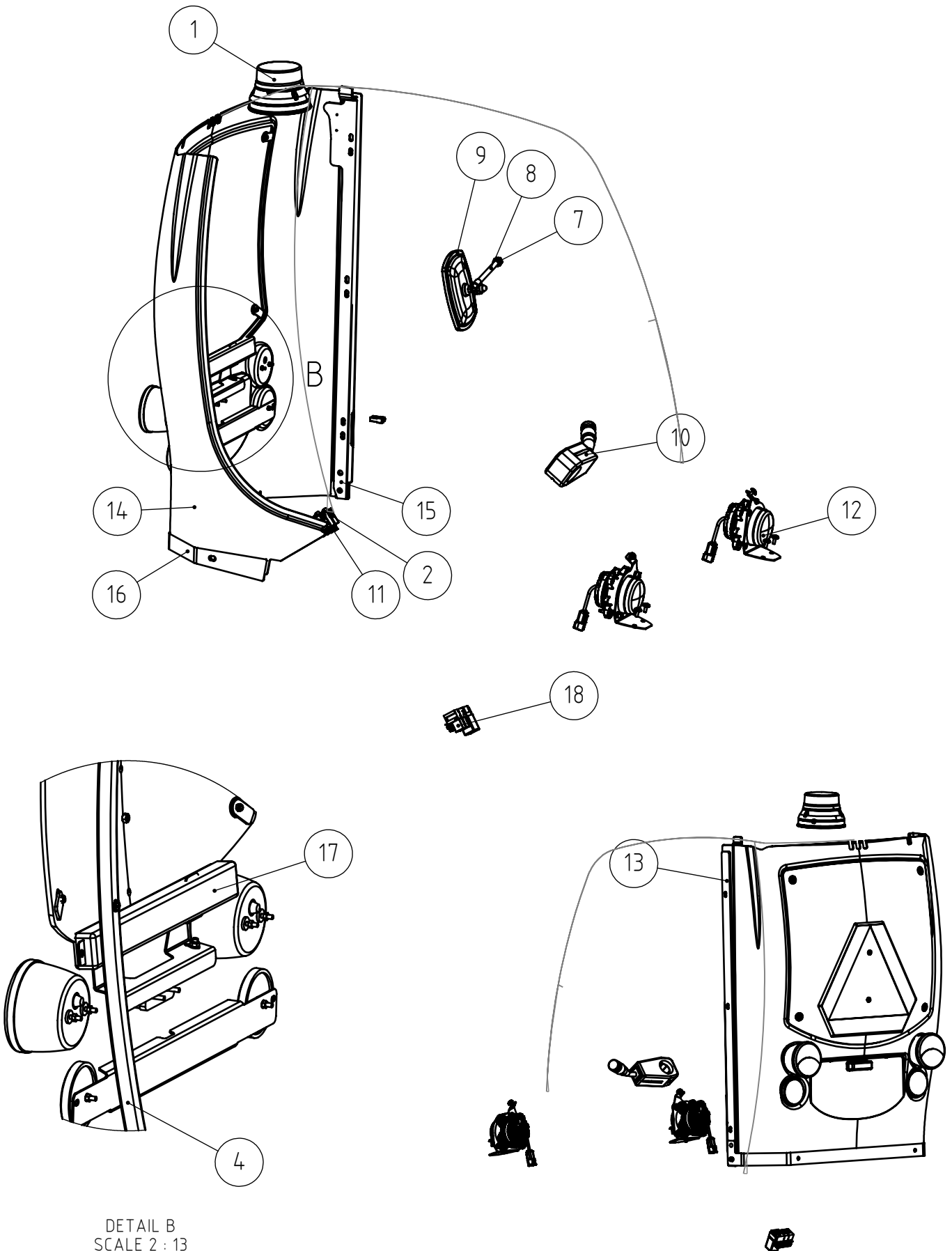
23.2.2024

A438520 WORK LIGHT KIT, 3 LED LIGHTS 700 LUMEN

REF	PART NO	QTY	DESCRIPTION	NOTES	PAGE
1	A49080	1	COVER STRIP, SIDE		-
2	A49079	1	COVER STRIP, MIDDLE		-
3	A49077	1	COVER STRIP, UPPER		-
4	65066	1	SWITCH, WORK LIGHT		-
5*	66068	3	WORK LIGHT LED 700 LUMEN 12V/12W COBO	700 Lumen	-
5**	A419163	3	WORK LIGHT LED 2500 LUMEN WITH CONNECTOR	2500 Lumen	-
6	A412802	1	MOUNTING BRACKET WORK LIGHT LED		-
7	74767	8	RAISED COUNTERSUNK HEAD SCREW M6*20		-
8	74768	8	WASHER CONICAL M6		-
9	A437372	1	WIRE HARNESS WORK LIGHT KIT / BEACON		-

23.2.2024

A459418 ROAD TRAFFIC KIT E513 E527



DETAIL B
SCALE 2 : 13

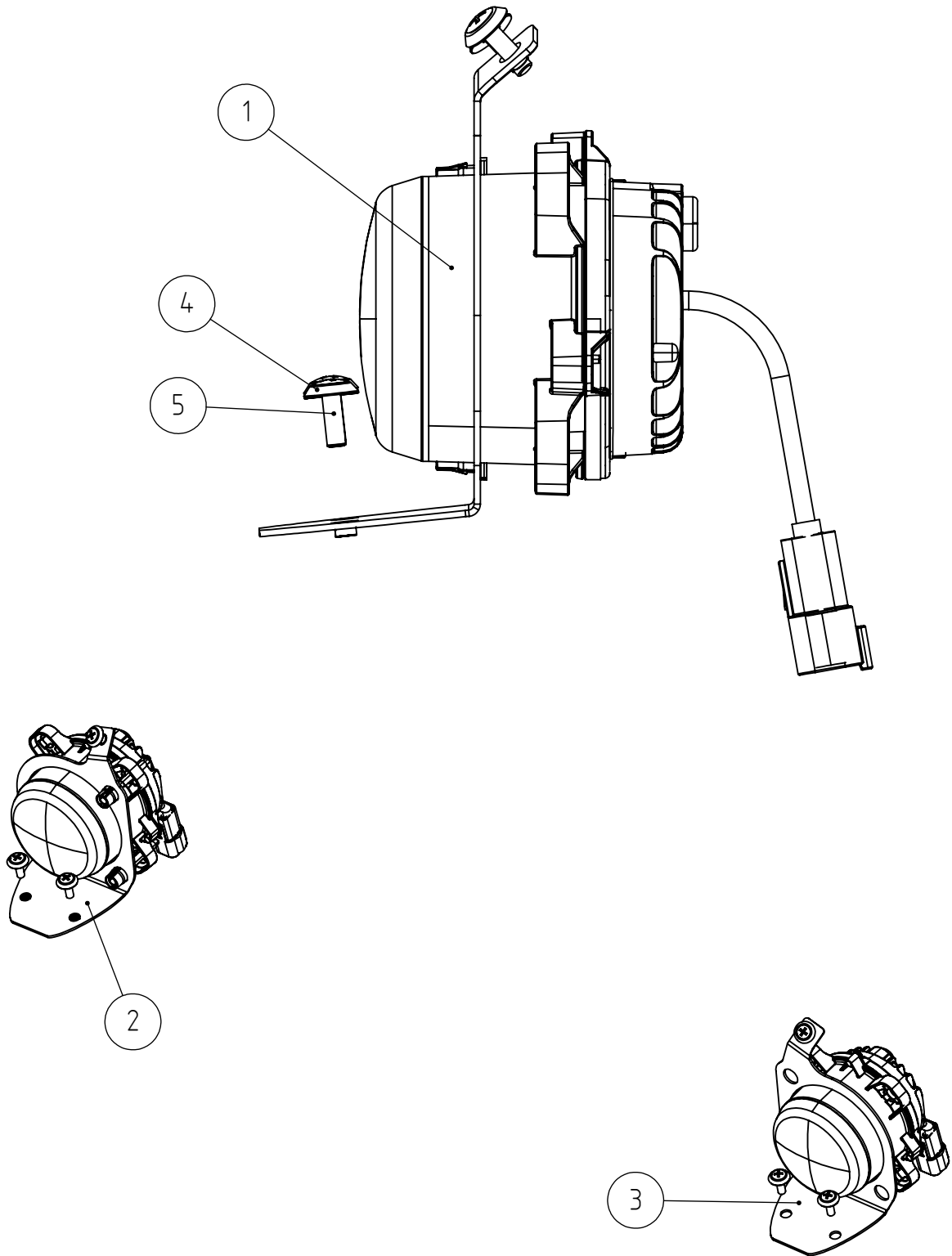
23.2.2024

A459418 ROAD TRAFFIC KIT E513 E527

REF	PART NO	QTY	DESCRIPTION	NOTES	PAGE
1	A438358	1	BEACON, MAGNET MOUNTED, ASSEMBLY KIT		-
2	65065	1	SWITCH, BEACON		-
3	A437372	1	WIRE HARNESS WORK LIGHT KIT / BEACON		-
4	A49080	1	COVER STRIP, SIDE		-
5	74767	2	RAISED COUNTERSUNK HEAD SCREW M6*20		-
6	74768	2	WASHER CONICAL M6		-
7	72323	2	HEXAGONAL NUT M12 DIN 934		-
8	A411594	1	ARM, SIDE MIRROR		-
9	64389	1	SIDE MIRROR CONVEX GLASS 185*135 MM		-
10	64851	1	LIGHTS/BLINKERS LEVER SWITCH		-
11	65064	1	SWITCH, WARNING BLINKER		-
12	A450854	1	HEADLAMPS / PARKING LIGHTS / INDICATOR		134
13	A49353	1	FRAME, OUTER		-
14	A412565	1	REAR WALL FOR ROAD TRAFFIC LIGHTS		136
15	A49354	1	FRAME, INNER		-
16	A49356	1	MOUNTING BRACKET, LOWER		-
17	A435070	1	SLOW MOVING VEHICLE TRIANGLE 430X45X30		-
18	A449798	1	WIRE HARNESS ROAD TRAFFIC KIT FRONT		-
18.1	A438175	2	RELAY 12V/30A		-
18.2	65751	1	INDICATOR RELAY 12V 84W WEH-54 201 102		-
19	A448317	1	WIRE HARNESS ROAD TRAFFIC KIT REAR WALL		-

23.2.2024

A450854 HEADLAMPS / PARKING LIGHTS / INDICATOR



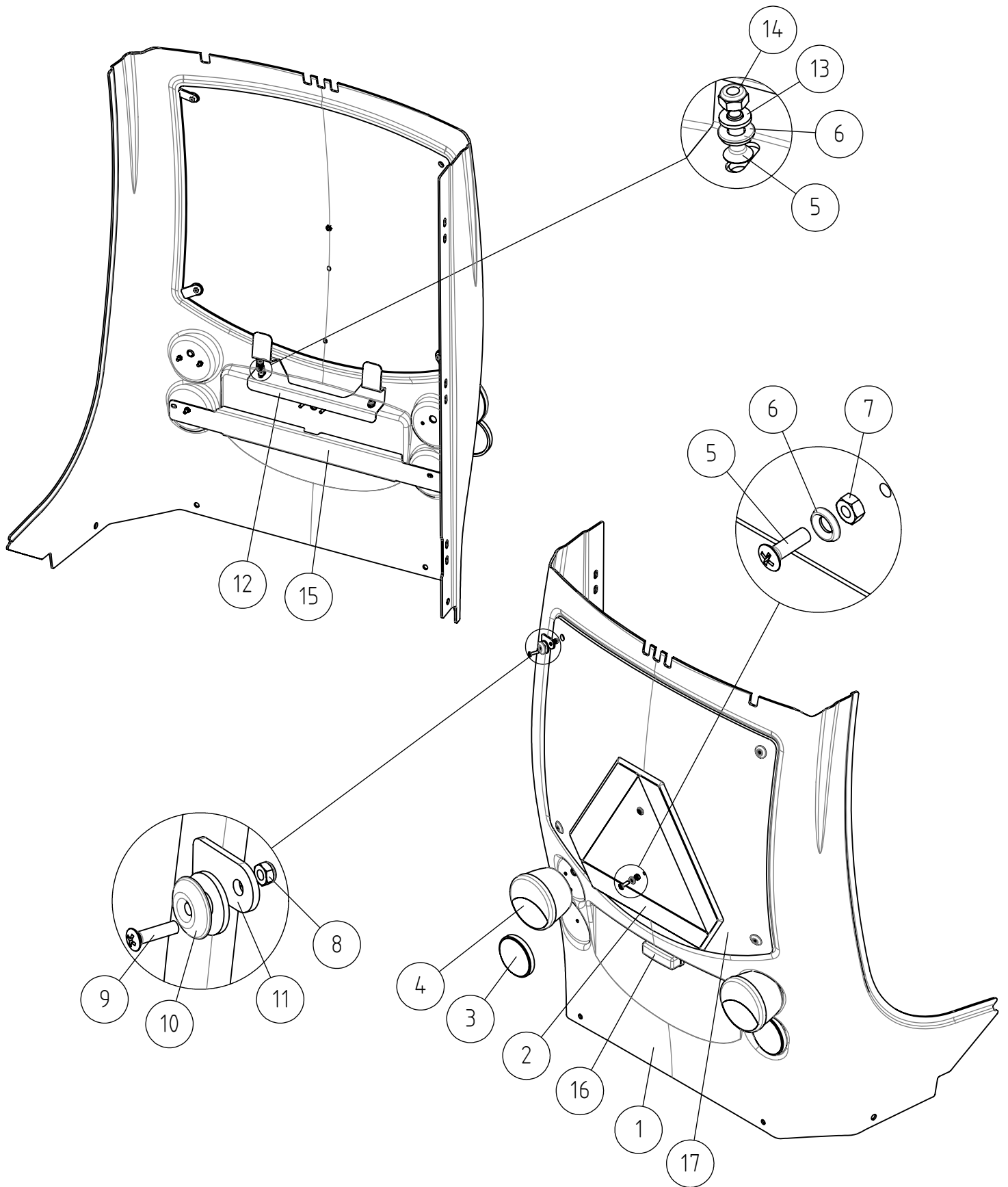
23.2.2024

A450854 HEADLAMPS / PARKING LIGHTS / INDICATOR

REF	PART NO	QTY	DESCRIPTION	NOTES	PAGE
1	A443591	2	HEADLAMP / PARKING LIGHT / INDICATOR LED		-
2	A450528	1	MOUNTING BRACKET RIGHT WORK LIGHT LED		-
3	A450553	1	MOUNTING BRACKET LEFT WORK LIGHT LED		-
4	A422221	6	WASHER M6 GREEN PLASTIC, ANALOG FOR		-
5	74767	6	RAISED COUNTERSUNK HEAD SCREW M6*20		-

23.2.2024

A412565 REAR WALL FOR ROAD TRAFFIC LIGHTS



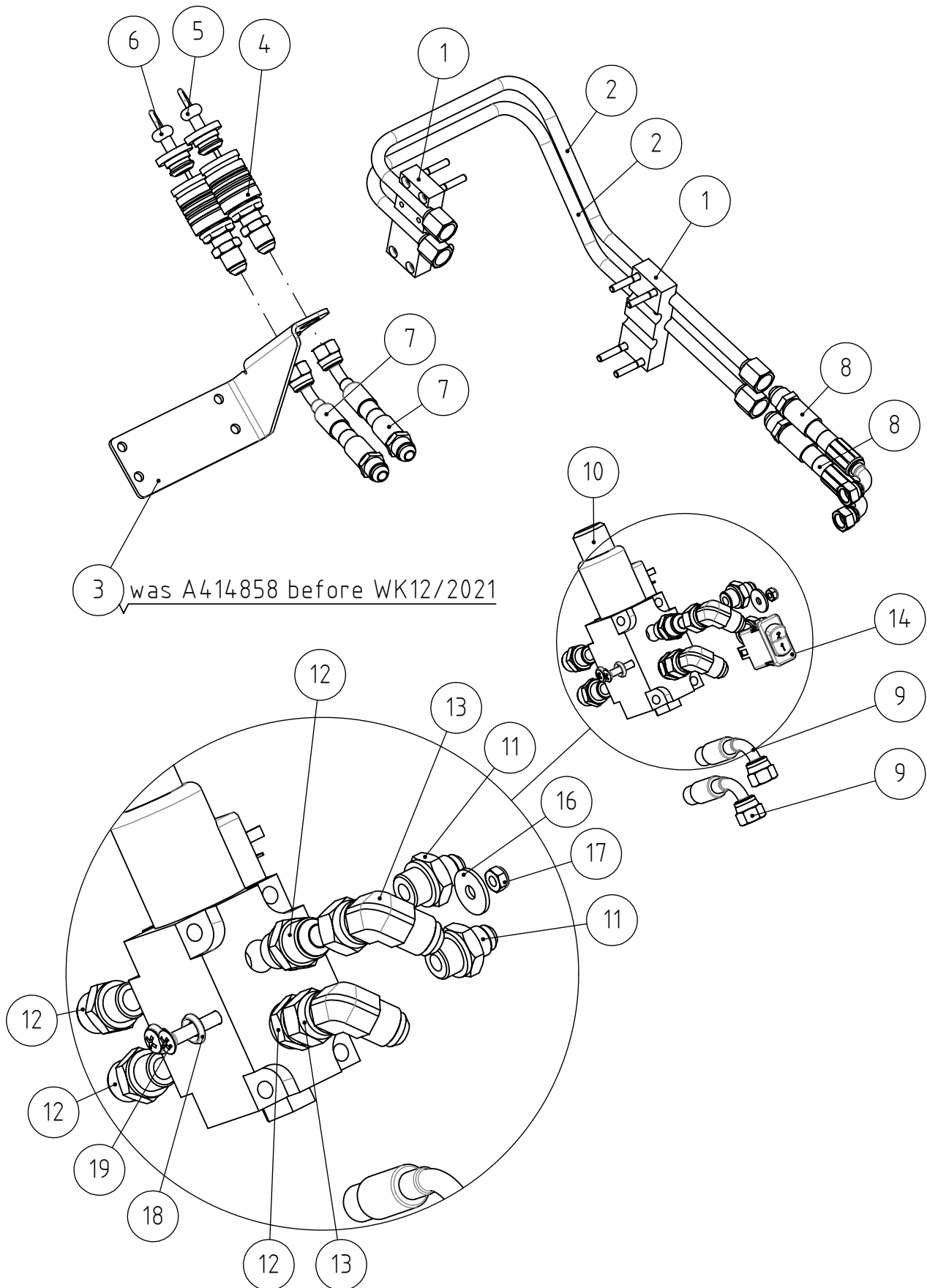
23.2.2024

A412565 REAR WALL FOR ROAD TRAFFIC LIGHTS

REF	PART NO	QTY	DESCRIPTION	NOTES	PAGE
1	A412564	1	COVER PANEL REAR WITHOUT WINDOW		-
2	64733	1	SIGN, SLOW MOVING VEHICLE, RED		-
3	65057	2	REFLECTOR, RED		-
4	65263	2	REAR LIGHT / BLINKER		-
5	74767	4	RAISED COUNTERSUNK HEAD SCREW M6*20		-
6	74768	4	WASHER CONICAL M6		-
7	72317	2	HEXAGONAL NUT M6 DIN 934		-
8	72315	4	HEXAGONAL NUT M5 NYLOC DIN 985		-
9	74787	4	CROSS HEAD SCREW M5*20		-
10	74788	4	FASTENER, WINDOW, F25/F5-13		-
11	A410059	4	HOLDER		-
12	A412146	1	BRACKET, WARNING TRIANGLE		-
13	71680	2	WASHER M6 DIN 125		-
14	72318	2	HEXAGONAL NUT M 6 DIN 985 NYLOC		-
15	A412143	1	CABLE STRIP		-
16	A411791	1	LIGHT, LICENCE PLATE		-
17	A413489	1	REAR WINDOW		-

23.2.2024

A35884 EXTRA AUX. HYDR. OUTLET, FRONT, 500 SERI

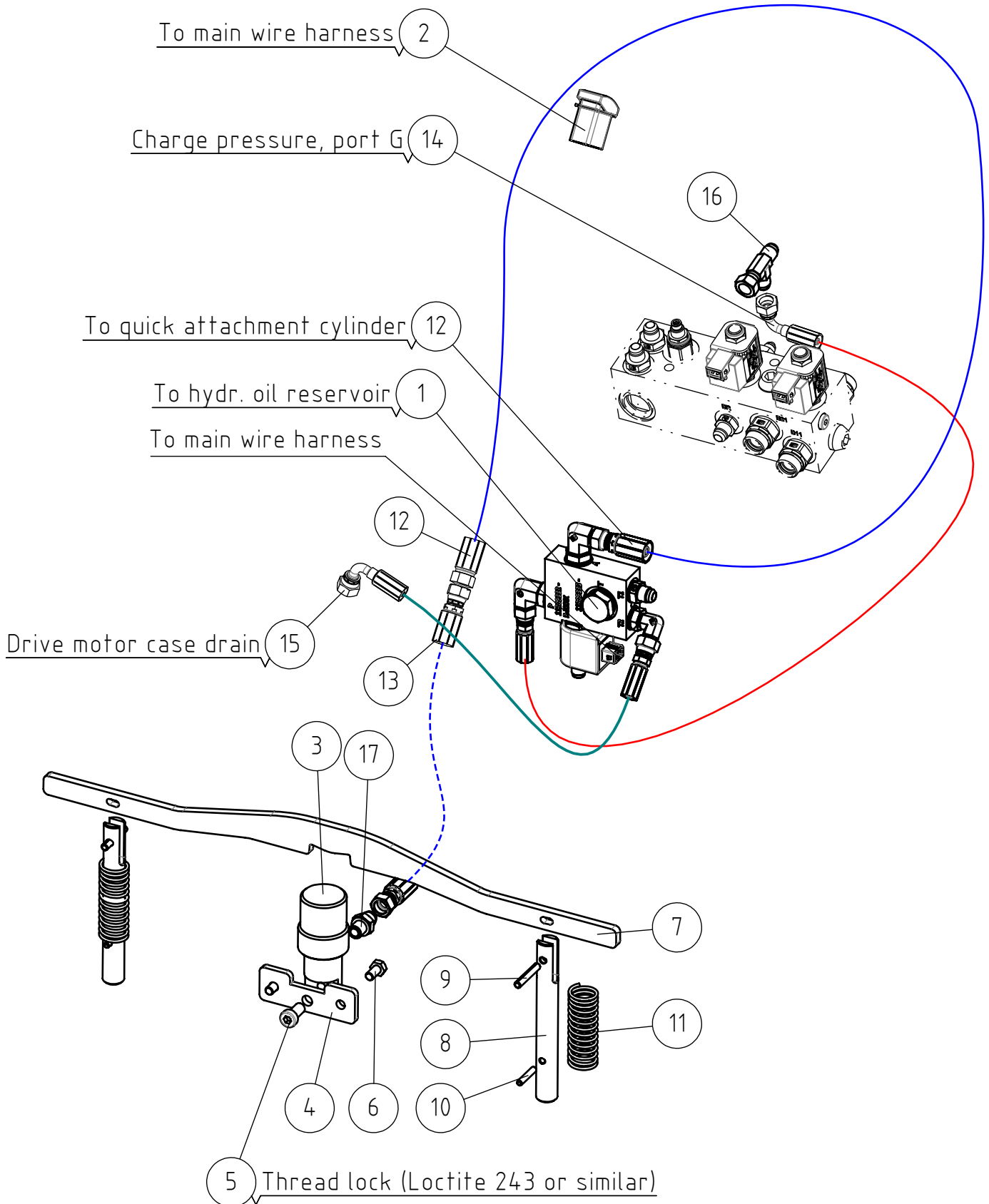


23.2.2024

A35884 EXTRA AUX. HYDR. OUTLET, FRONT, 500 SERI

REF	PART NO	QTY	DESCRIPTION	NOTES	PAGE
1	A414870	2	PIPE CLAMP F12		-
2	A414873	2	HYDRAULIC TUBE F12		-
3	A422154	1	MOUNTING PLATE, QUICK COUPLERS EXTRA		-
4	64190	2	QUICK COUPLING PART 1/2" 2V54-T5X4 FEMAL		-
5	73754	1	RUBBER PLUG 1/2", TO FEMALE QUICK COUPLE		-
6	65566	1	RUBBER PLUG BLUE 1/2", QUICK COUPLING		-
7	A414877	2	HYDR. HOSE L=1300		-
8	A47638	2	HYDR. HOSE L=1610 2LW-06		-
9	A47730	2	HYDR. HOSE L=600 2LW-06 JIC12-JIC12 90DG		-
10	65099	1	SELECTOR VALVE DFE100/6 12VDC		-
10.1	A430809	1	SOLENOID 12VDC		-
11	64041	2	BASIC FITTING F40XS10-3/8 /8		-
12	64042	4	BASIC FITTING F40XS12-3/8 /8		-
13	64134	2	ELBOW FITTING 90 DEGR. C6XS12		-
14	65276	1	ROCKER SWITCH, REAR AUXILIARY HYDRAULICS		-
15	A49452	1	WIRE HARNESS, REAR AUX. HYDRAULICS		-
16	71681	2	WASHER M6 DIN 440		-
17	72318	2	HEXAGONAL NUT M 6 DIN 985 NYLOC		-
18	74768	2	WASHER CONICAL M6		-
19	74861	2	CROSS-SLOT COUNTRS. HEAD SCREW M6*80		-
20	74438	8	HEXAGONAL HEAD SCREW M6*40 DIN 912		-

A450469 HYDRAULIC ATTACHMENT COUPLING PLATE 500,

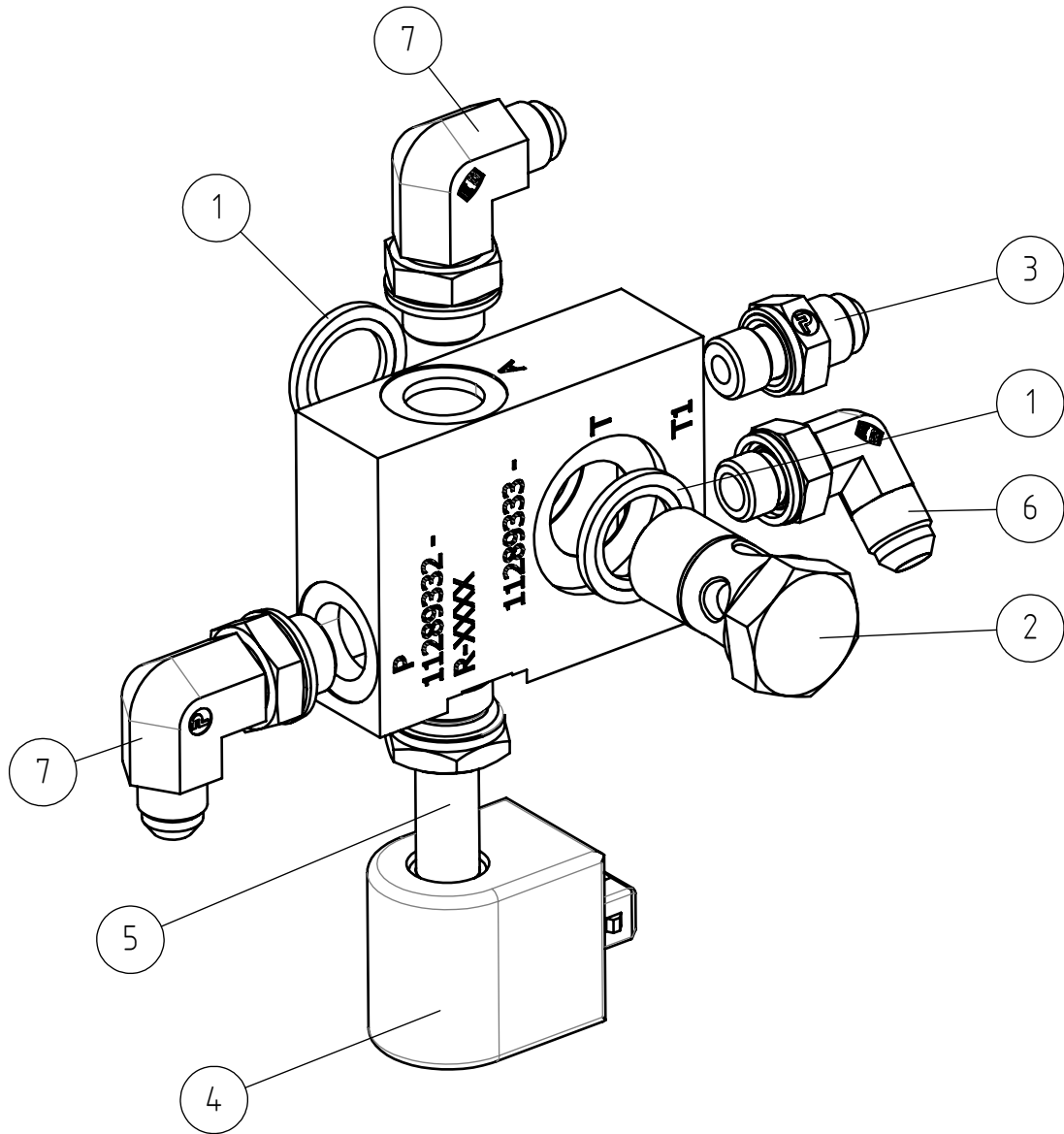


23.2.2024

A450469 HYDRAULIC ATTACHMENT COUPLING PLATE 500,

REF	PART NO	QTY	DESCRIPTION	NOTES	PAGE
1	A449703	1	VALVE ASSEMBLY HYDR. ATTACHMENT COUPLING		142
2	A430996	1	CONTROL SWITCH, HYDR ATTACHMENT COUPLING		-
3	A425700	1	HYDRAULIC CYLINDER F35/F35-30		-
4	A424829	1	MOUNTING BRACKET CYLINDER HYD QUICK ATTA		-
5	74752	1	HEXAGONAL HEAD SCREW M10*20 DIN 7984 ZN		-
6	73039	2	HEXAGONAL SCREW M 8*16 DIN 933 ZN		-
7	A424886	1	ROD HYDR. ATTACHMENT COUPLING		-
8	A410803	2	LOCKING PIN F20, HYDR. ATTACHM COUPLING		-
9	71793	2	SPRING COTTER PIN 6 * 40		-
10	73661	2	SPRING PIN 5*30 DIN 1481		-
11	A430549	2	COMPRESSION SPRING		-
12	A430210	1	HYDR. HOSE L=5600		-
13	A430203	1	HYDR. HOSE L=400		-
14	A415120	1	HYDR. HOSE L=750		-
15	A410017	1	HYDR. HOSE L=400		-
16	64078	1	L-FITTING BODY R6XS10		-
17	64059	1	BASIC FITTING F40XS10-1/4		-

A449703 VALVE ASSEMBLY HYDR. ATTACHMENT COUPLING



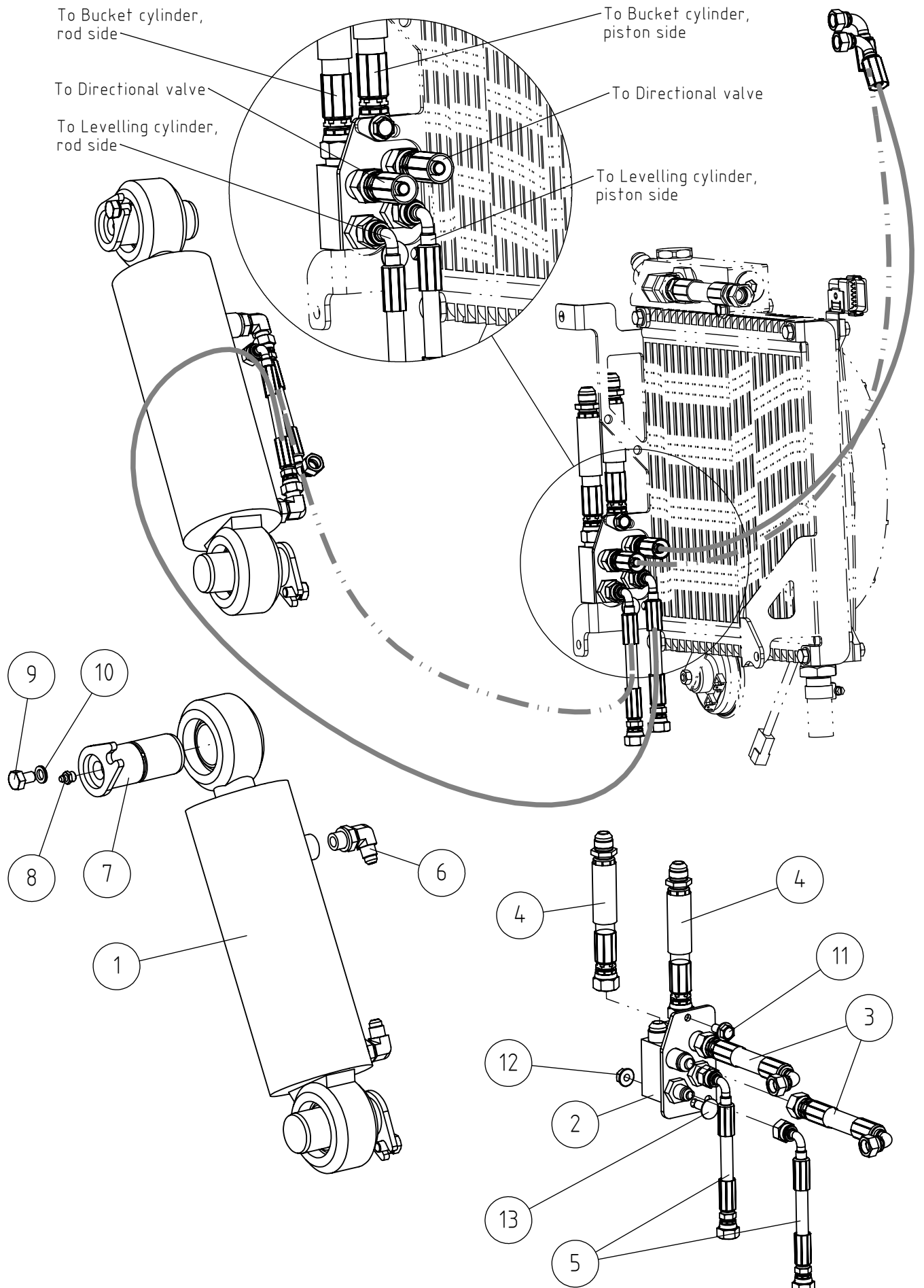
23.2.2024

A449703 VALVE ASSEMBLY HYDR. ATTACHMENT COUPLING

REF	PART NO	QTY	DESCRIPTION	NOTES	PAGE
1	73047	2	USIT SEAL RING R/12"		-
2	73959	1	BANJO BOLT R 1/2"		-
3	64059	1	BASIC FITTING F40XS10-1/4		-
4	A449743	1	SOLENOID 12V/20W		-
5	A449744	1			-
6	64087	1	ELBOW FITTING 90 DEGR. /4#		-
7	64044	2	ELBOW FITTING 90° C40XS10-3/8 /8		-

23.2.2024

A455807 BOOM SELF LEVELLING, 500 & E SERIES



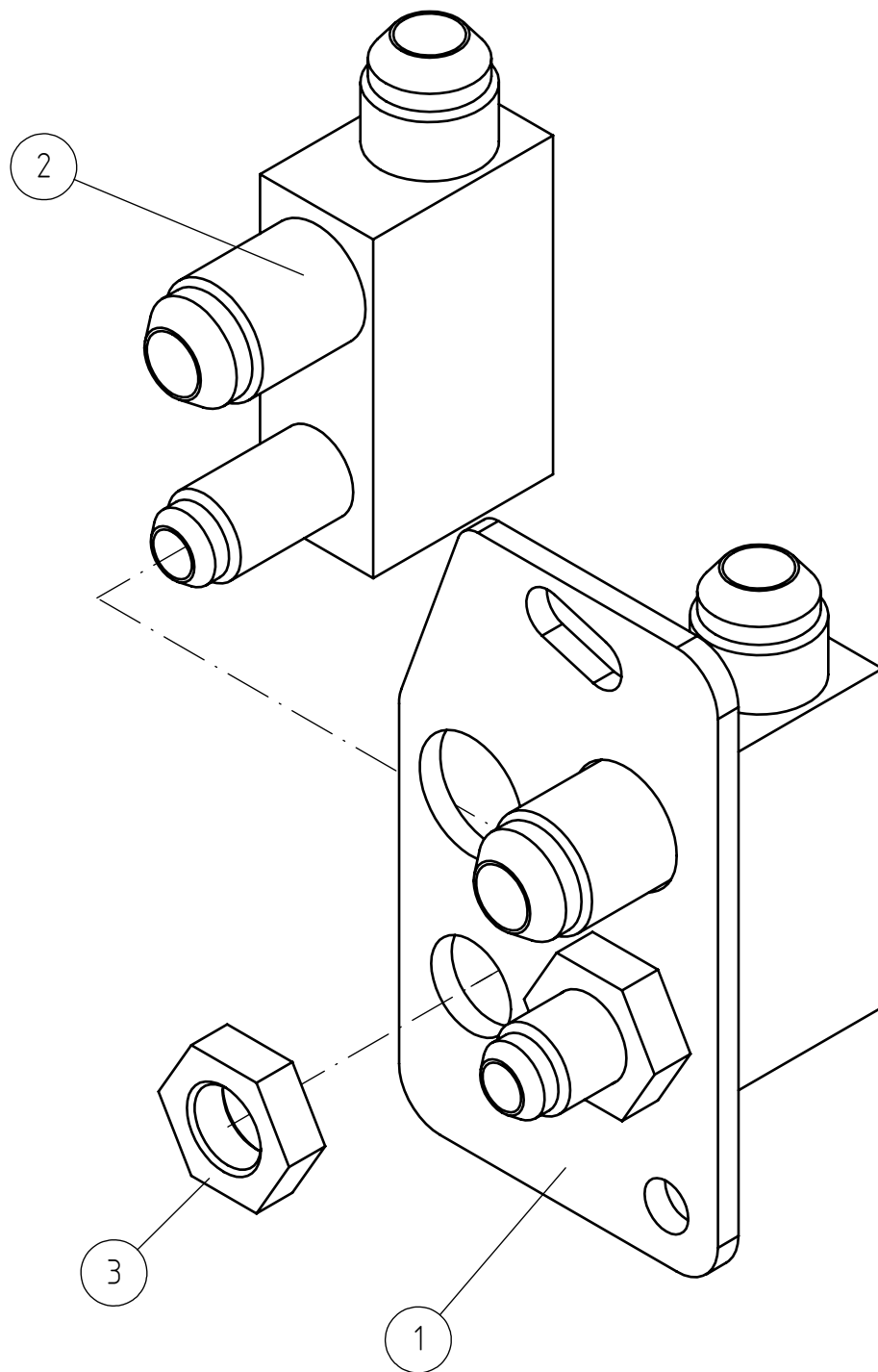
23.2.2024

A455807 BOOM SELF LEVELLING, 500 & E SERIES

REF	PART NO	QTY	DESCRIPTION	NOTES	PAGE
1	A47920	1	HYDR. CYLINDER F90/F40-142		-
1.1	65005	1	SEAL KIT, CYLINDER 90/40 A47920 A47921		-
1.2	64911	2	ARTICUL. BEARING GE40ES F62/40-28(22)		-
2	A458483	1	DIVIDER WITH FITTINGS, HOSES, ASSEMBLY		146
3	A456235	2	HYDR. HOSE L=930		-
4	A456237	2	HYDR. HOSE L=1150		-
5	A436991	2	HYDR. HOSE L=1350		-
6	64044	2	ELBOW FITTING 90° C40XS10-3/8 /8		-
7	A47041	2	PIVON PIN F40-90		-
8	72798	2	GREASE NIPPLE R 1/8" STRAIGHT		-
9	72147	2	HEXAGONAL SCREW M 10*16 DIN 933		-
10	74531	2	SPACER NORDLOCK M10, PAIR		-
11	A429200	1	HEXAGONAL SERRATED SCREW M8*16 WITH		-
12	A450046	1	HEXAGONAL NUT M8 WITH FLANGE		-
13	74836	1	CARRIAGE BOLT M8*20		-

23.2.2024

A458483 DIVIDER WITH FITTINGS, HOSES, ASSEMBLY



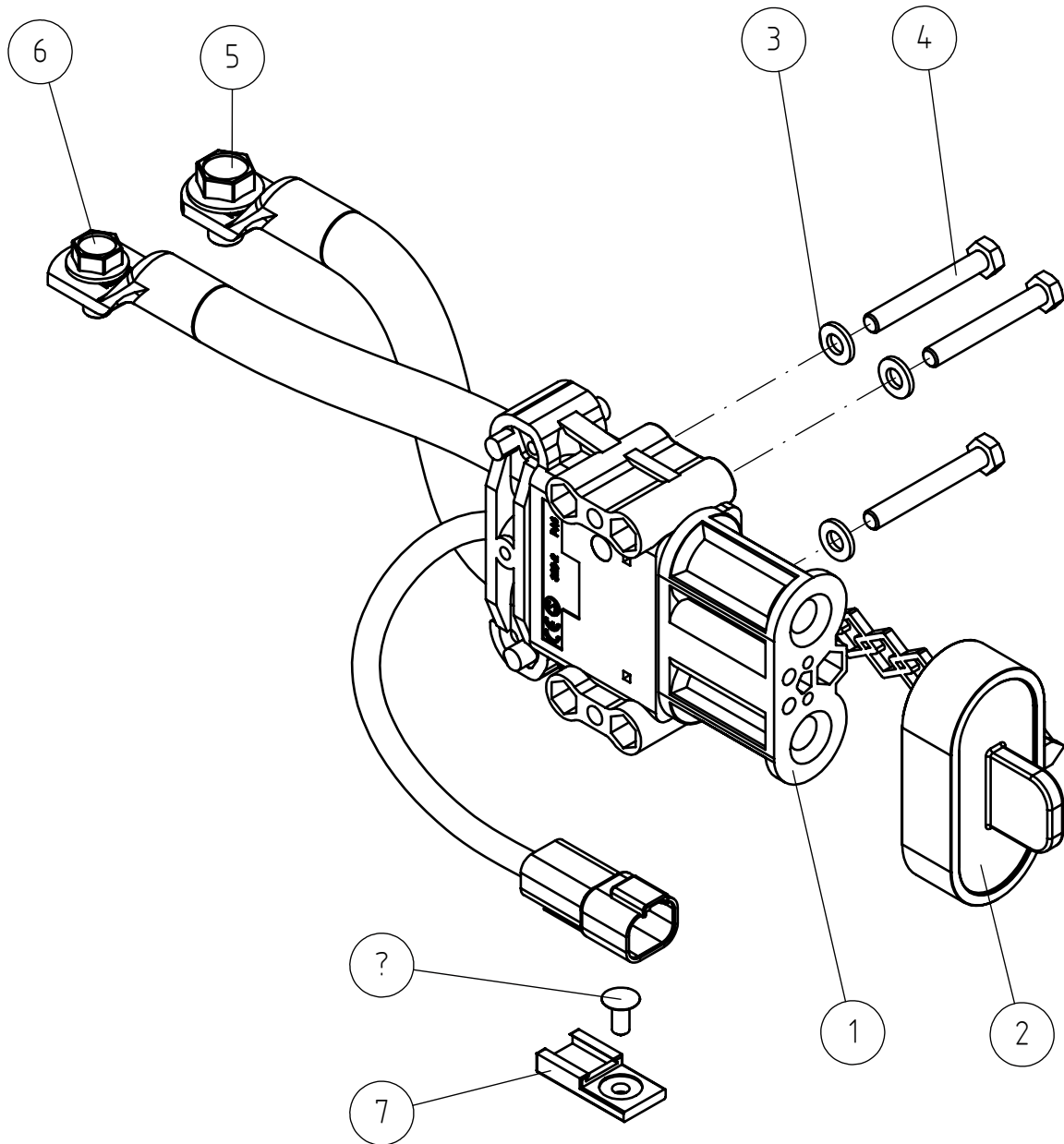
23.2.2024

A458483 DIVIDER WITH FITTINGS, HOSES, ASSEMBLY

REF	PART NO	QTY	DESCRIPTION	NOTES	PAGE
1	A458259	1	MOUNTING PLATE CONNECTORS		-
2	A458127	2	ADAPTOR FOR HOSES		-
3	A458399	2	COUNTER NUT UNF 9/16"-18		-

23.2.2024

A464123 CHARGING INLET 400V DIN 320 ON LOADER



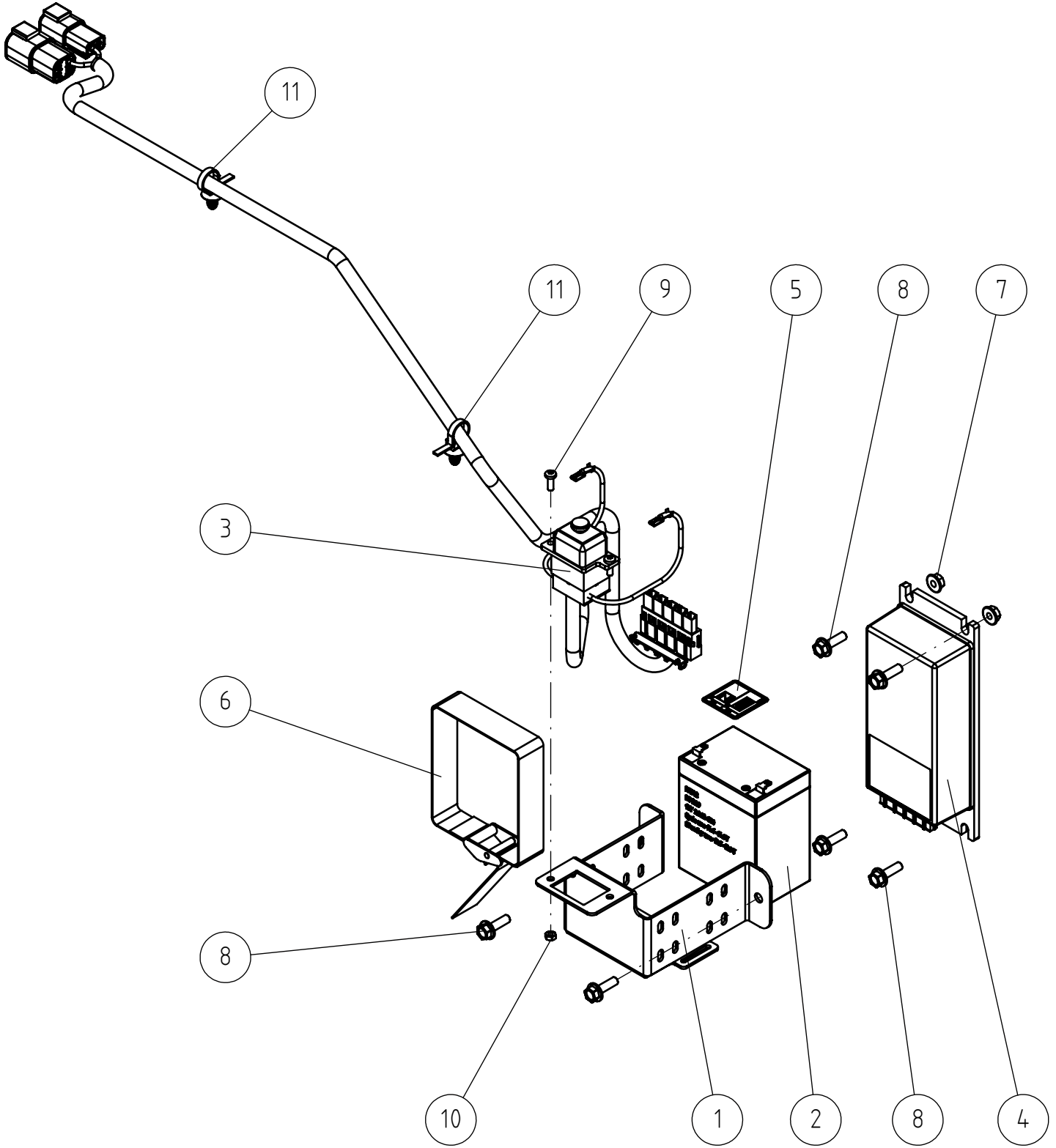
23.2.2024

A464123 CHARGING INLET 400V DIN 320 ON LOADER

REF	PART NO	QTY	DESCRIPTION	NOTES	PAGE
1	A462758	1	CHARGING INLET, KIT, DC 400V DIN 320		-
2	A463670	1	DUST CAP SOCKET CHARGING INLET 400V DIN		-
3	71680	3	WASHER M6 DIN 125		-
4	74515	3	HEXAGONAL SCREW M 6*45 DIN 933 ZN		-
5	A457766	1	HEXAGONAL SERRATED SCREW M10*16 WITH		-
6	A429200	1	HEXAGONAL SERRATED SCREW M8*16 WITH		-
7	A446802	1	BRACKET CONNECTOR DEUTSCH		-
8	A464320	1	BARBED FASTENER D11,0/D5,0 BLACK NYLON		-

23.2.2024

A459419 EXTRA 12V POWER KIT E513 E527



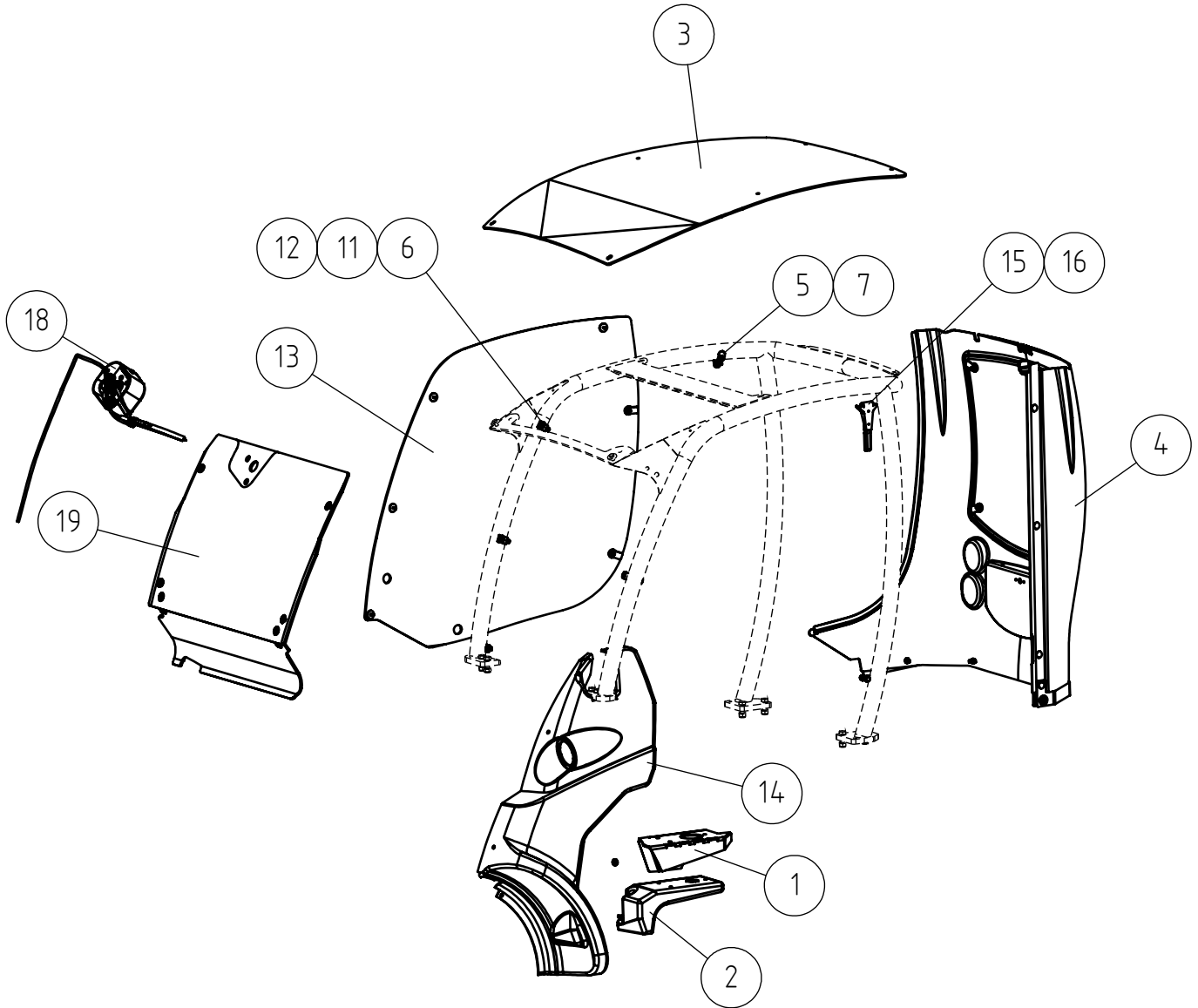
23.2.2024

A459419 EXTRA 12V POWER KIT E513 E527

REF	PART NO	QTY	DESCRIPTION	NOTES	PAGE
1	A437093	1	MOUNTING BRACKET BATTERY		-
2	A437091	1	BATTERY 12V 2.9AH 56X79X98		-
3	A439869	1	WIRE HARNESS EXTRA 12V POWER KIT E		-
4	66384	1	DC/DC CONVERTER 300W		-
5	A441235	1	DECAL FUSE BOX EXTRA 12V POWER E SERIES		-
6	A441257	1	LASHING BELT WITH CLAMPING LOCK L=500		-
7	A452923	2	HEXAGONAL NUT M6 DIN 6923		-
8	A431349	6	HEXAGONAL SERRATED SCREW M6*20 W. FLANG		-
9	A430277	2	TORX SCREW M4*12		-
10	74868	2	HEXAGONAL NUT M4 DIN 934		-
11	A461103	2	CABLE TIE 4,6*165 BLACK		-

23.2.2024

A443905 CAB L, 500-700 SERIES

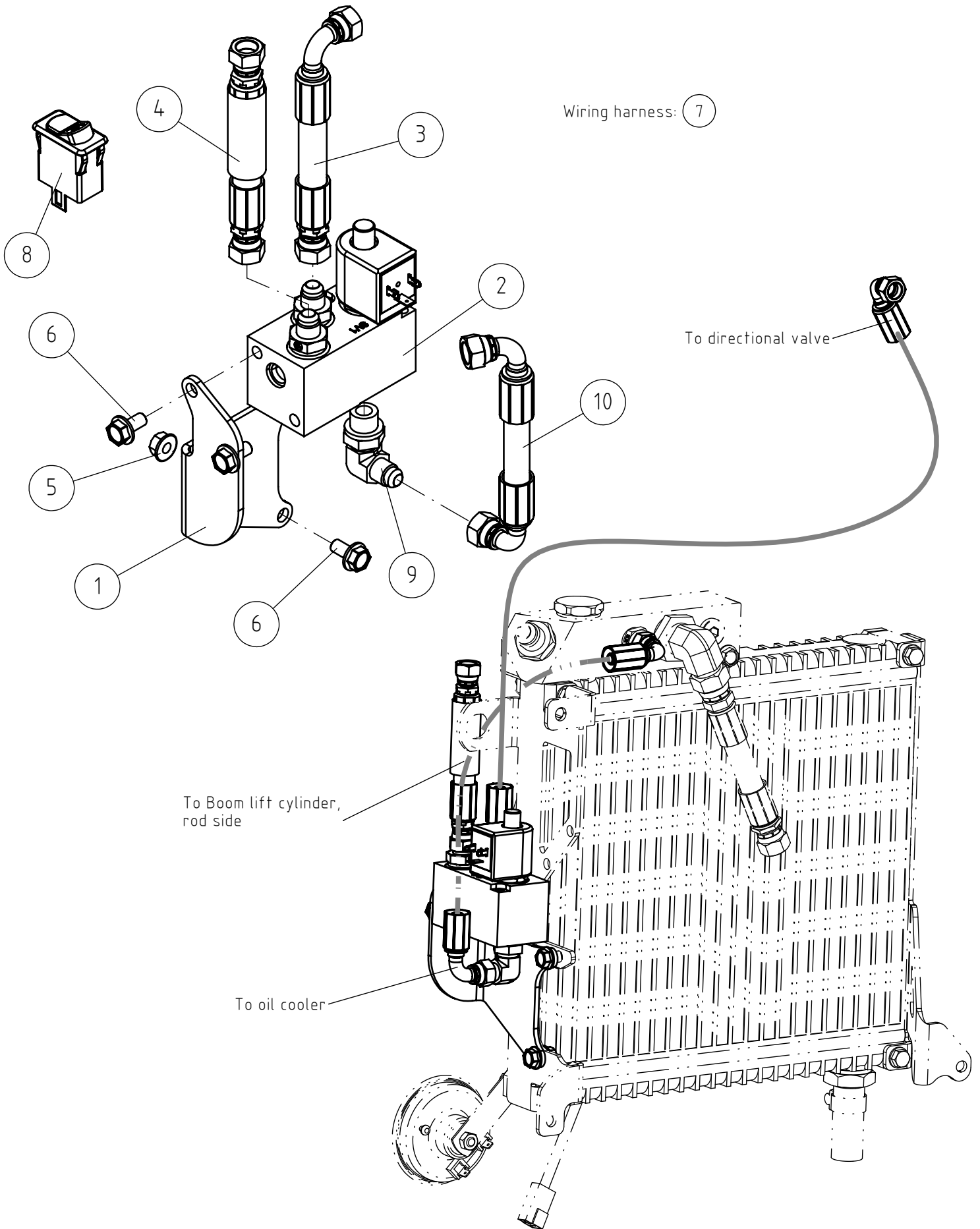


23.2.2024

A443905 CAB L, 500-700 SERIES

REF	PART NO	QTY	DESCRIPTION	NOTES	PAGE
1	A415799	1	STEP, CAB L, 500-700 SERIES		-
2	A33448	1	WINDSCREEN WASHER		-
3	A410091	1	CANOPY, POLYCARBONATE		-
4	A49446	1	REAR WALL WITH WINDOW 500/600/700/R/E		-
5	A49699	4	MOUNTING BRACKET ONE SIDED		-
6	A49698	2	MOUNTING BRACKET TWO SIDED		-
7	75172	4	SPEED NUT M5 FOR 0.5-4.0 MM PLATE		-
8	72320	1	HEXAGONAL NUT M8 NYLOC DIN 985		-
9	72133	1	HEXAGONAL SCREW M8*30 DIN 933		-
10	73122	2	WASHER M8 A8,4 DIN 125 ZN		-
11	73766	6	HEXAGONAL HEAD SCREW M6*16 DIN 912 2 8.8		-
12	71680	6	WASHER M6 DIN 125		-
13	A49451	1	WINDOW, RIGHT, COMPLETE, CAB L 500-700		-
14	A416315	1	COVER PLATE, FRONT LEFT, L CAB		-
15	64986	1	EMERGENCY HAMMER HAPPICH RED		-
16	A432729	1	BRACKET, EMERGENCY HAMMER 64986		-
17	A411021	1	DECAL "EMERGENCY EXIT"		-
18	A443979	1	WINDSCREEN WIPER ASSEMBLY CAB L 523-760I		126
19	A443961	1	WINDSCREEN ASSEMBLY CAB L 500/600/700/E		-
20	A441037	1	WIRE HARNESS CAB L AVANT 700-800		-

A455802 BOOM FLOATING, MACHINE WITHOUT SELF



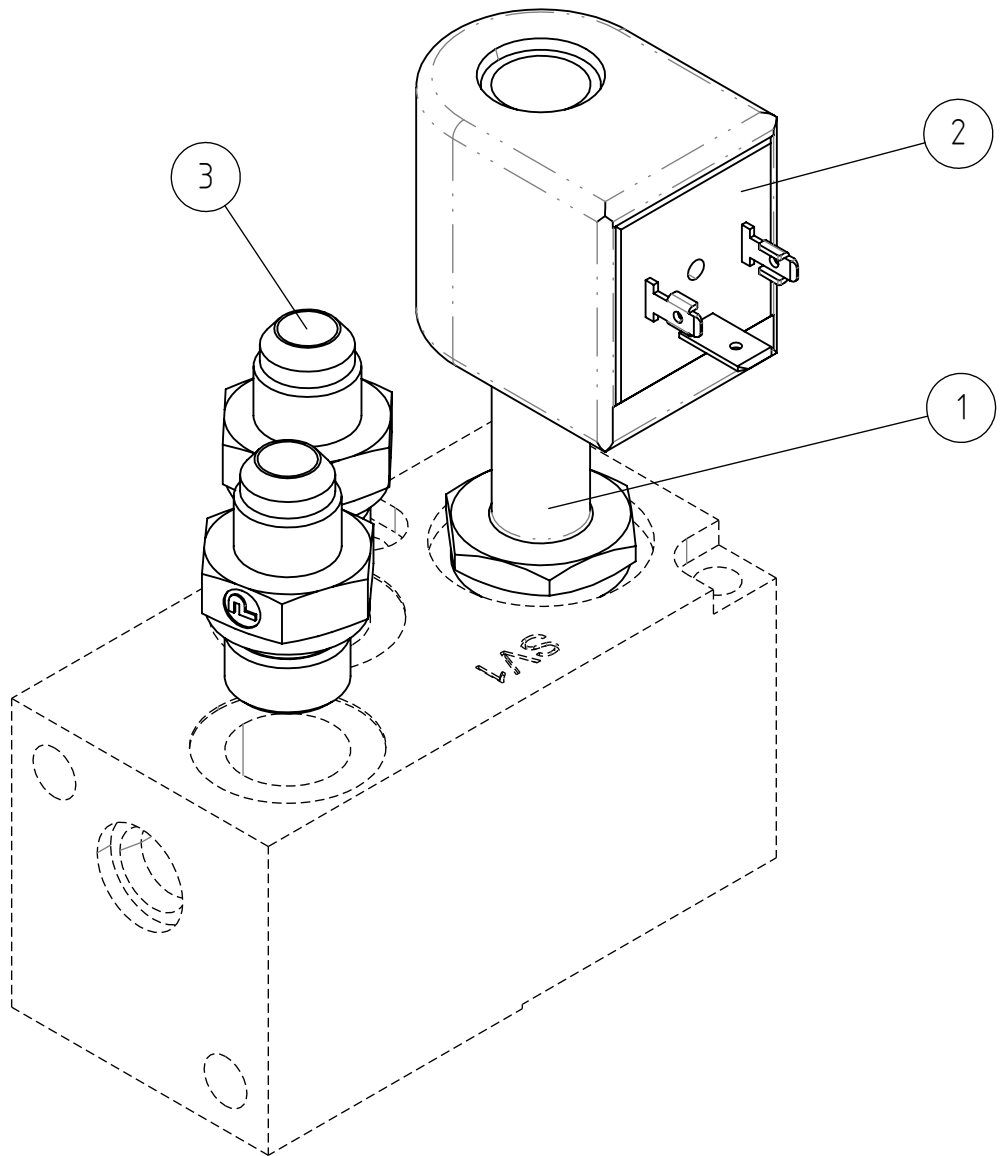
23.2.2024

A455802 BOOM FLOATING, MACHINE WITHOUT SELF

REF	PART NO	QTY	DESCRIPTION	NOTES	PAGE
1	A456654	1	MOUNTING BRACKET SOLENOID VALVE		-
2	A449669	1	SOLENOID VALVE 2/2		156
3	A445095	1	HYDR. HOSE L=880		-
4	A450402	1	HYDR. HOSE L=1270		-
5	A450046	2	HEXAGONAL NUT M8 WITH FLANGE		-
6	A429200	4	HEXAGONAL SERRATED SCREW M8*16 WITH		-
7	A454254	1	WIRE HARNESS BOOM FLOATING WITH SELF		-
8	A437190	1	SWITCH SMOOTH DRIVE		-
9	64044	1	ELBOW FITTING 90° C40XS10-3/8 /8		-
10	A450400	1	HYDR. HOSE L=500		-

23.2.2024

A449669 SOLENOID VALVE 2/2

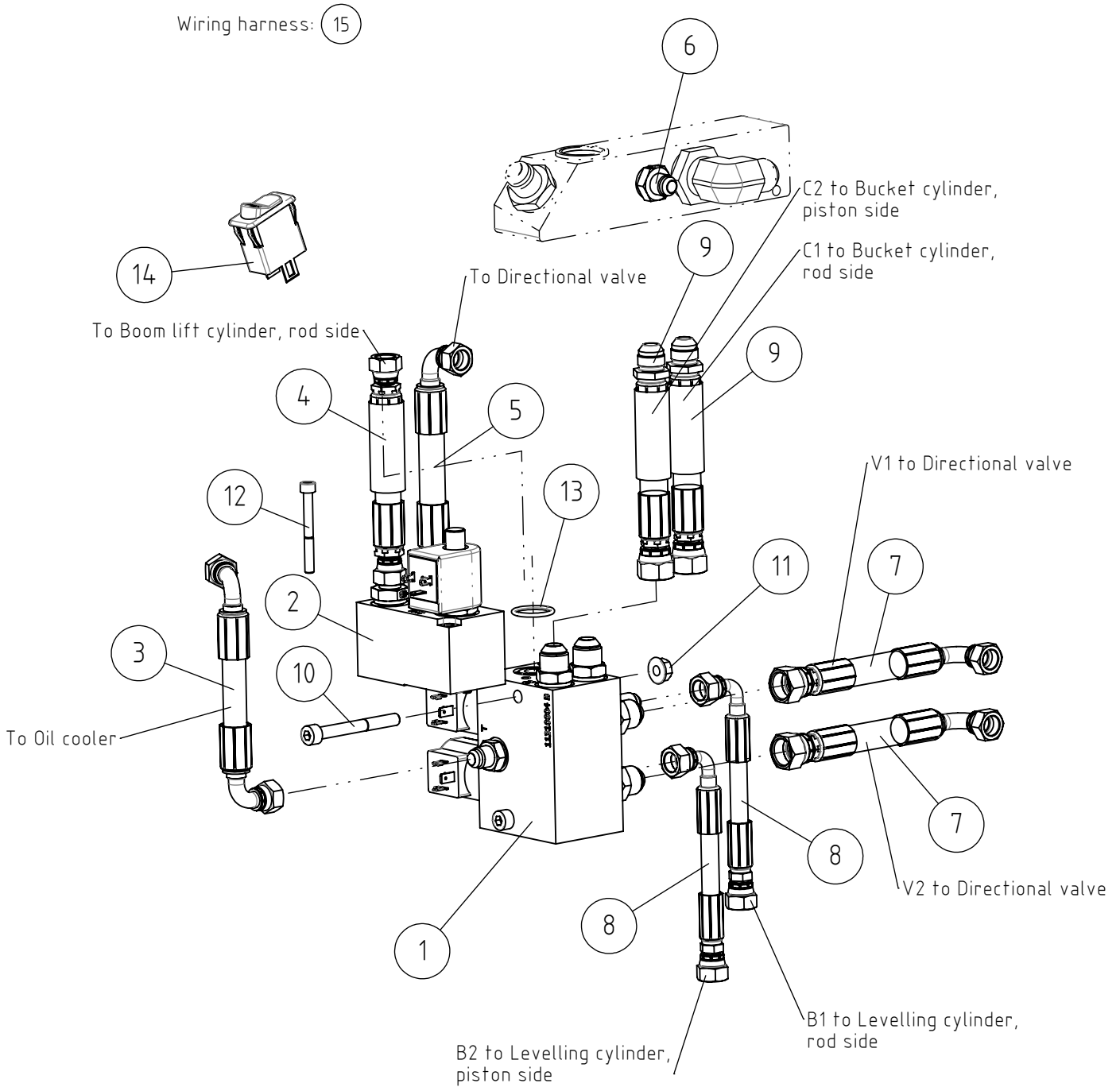


23.2.2024

A449669 SOLENOID VALVE 2/2

REF	PART NO	QTY	DESCRIPTION	NOTES	PAGE
1	A449737	1			-
2	A449739	1			-
3	64041	2	BASIC FITTING F40XS10-3/8 /8		-

A455803 BOOM FLOATING, WHEN SELF LEVELLING



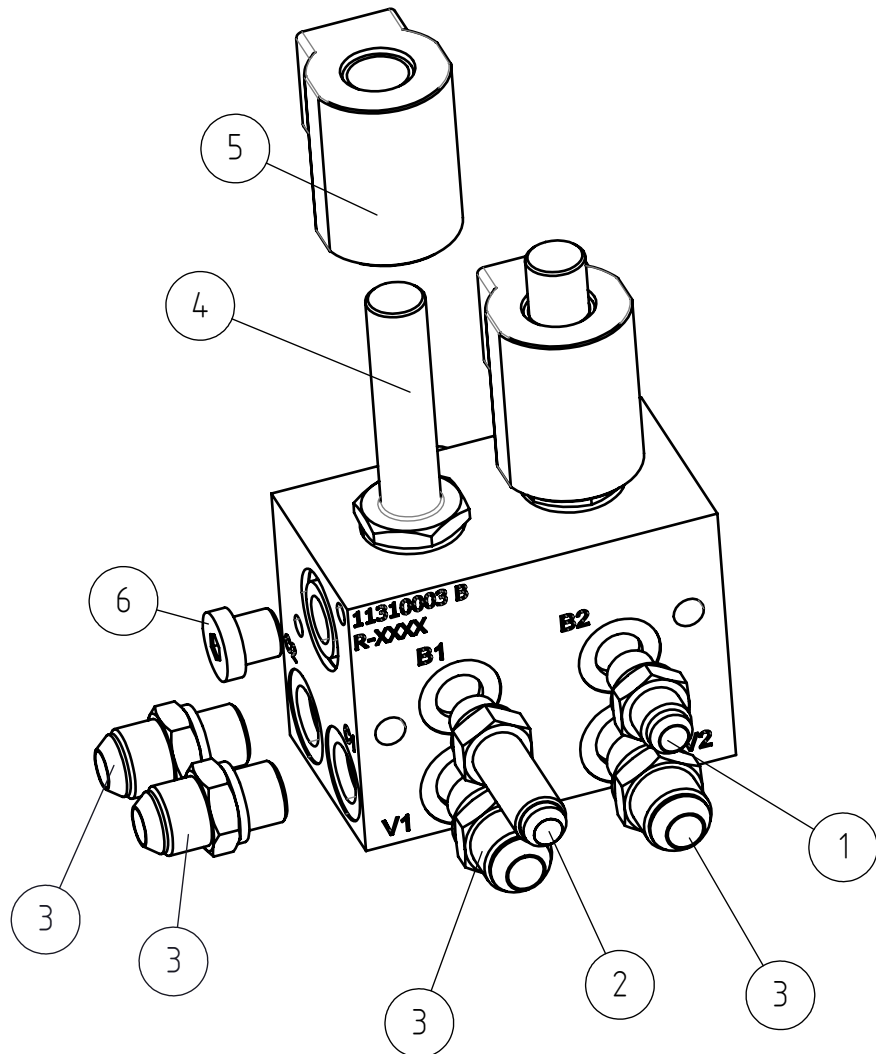
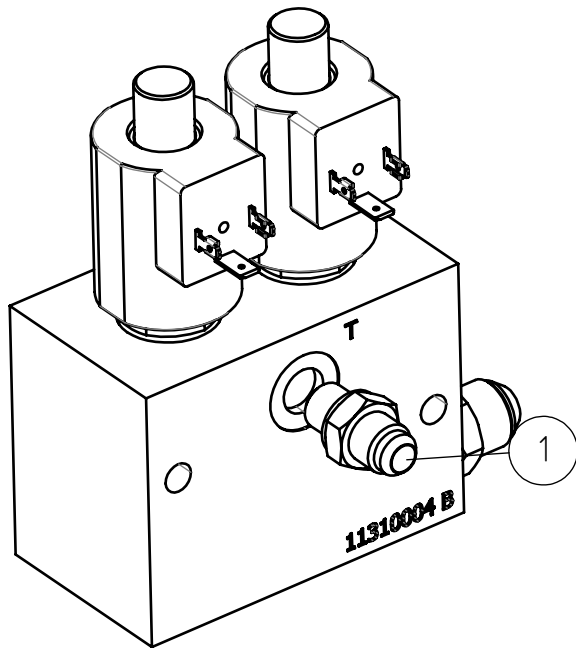
23.2.2024

A455803 BOOM FLOATING, WHEN SELF LEVELLING

REF	PART NO	QTY	DESCRIPTION	NOTES	PAGE
1	A449741	1	DIRECTIONAL VALVE ASSEMBLY BOOM FLOAT &		160
2	A449669	1	SOLENOID VALVE 2/2		156
3	A450400	1	HYDR. HOSE L=500		-
4	A450402	1	HYDR. HOSE L=1270		-
5	A445095	1	HYDR. HOSE L=880		-
6	64041	1	BASIC FITTING F40XS10-3/8 /8		-
7	A456235	2	HYDR. HOSE L=930		-
8	A450417	2	HYDR. HOSE L=1250		-
9	A456237	2	HYDR. HOSE L=1150		-
10	A442472	2	HEXAGONAL HEAD SCREW M8*70 DIN 912 8.8		-
11	A450046	2	HEXAGONAL NUT M8 WITH FLANGE		-
12	74478	2	HEXAGONAL HEAD SCREW M6* 55		-
13	A450398	1	O-RING D23.47X2.62		-
14	A437190	1	SWITCH SMOOTH DRIVE		-
15	A440277	1	WIRE HARNESS SMOOTH DRIVE, TO VALVES		-

23.2.2024

A449741 DIRECTIONAL VALVE ASSEMBLY BOOM FLOAT &

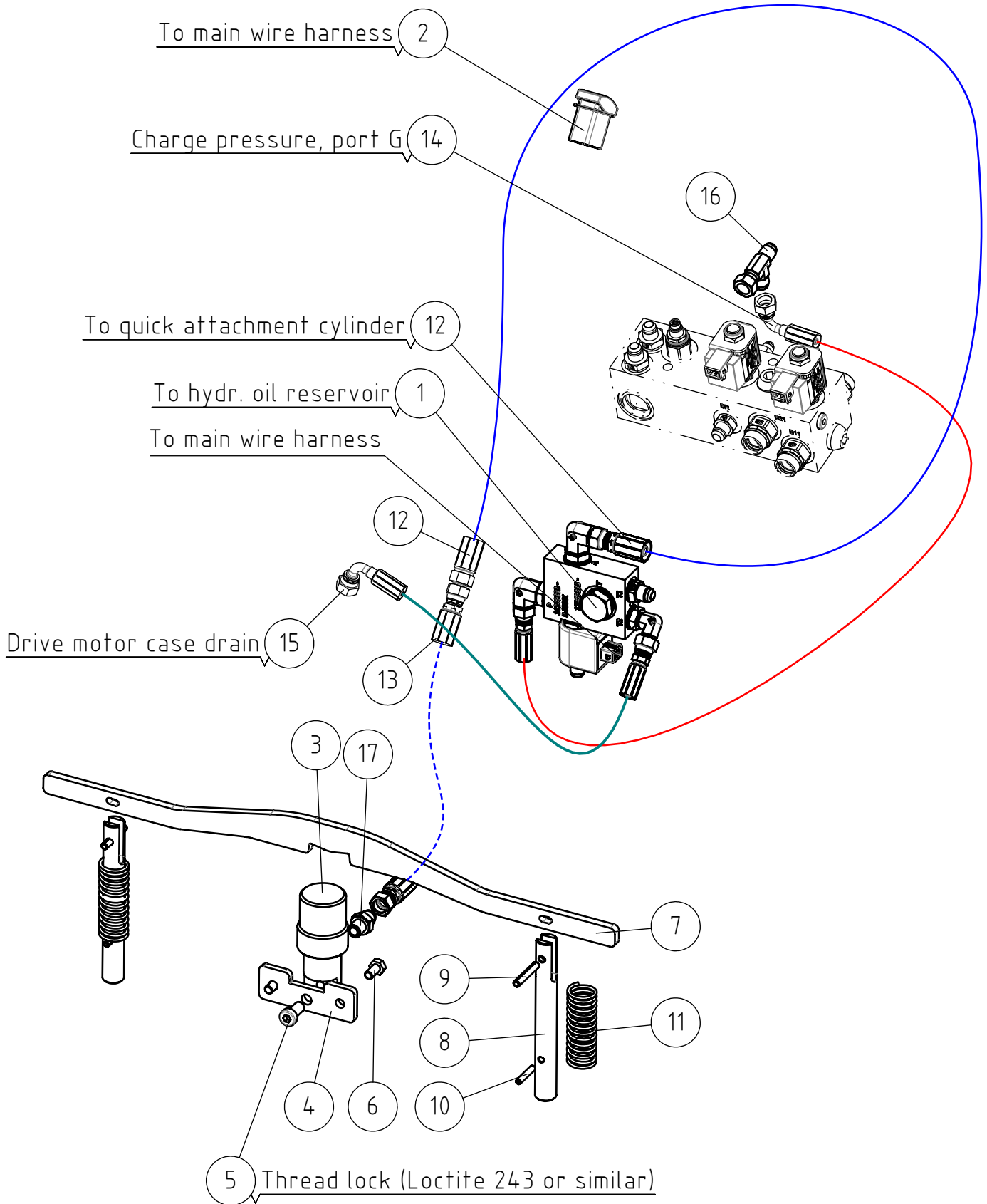


23.2.2024

A449741 DIRECTIONAL VALVE ASSEMBLY BOOM FLOAT &

REF	PART NO	QTY	DESCRIPTION	NOTES	PAGE
1	64059	2	BASIC FITTING F40XS10-1/4		-
2	A453598	1	BASIC FITTING G1/4" OUTSIDE THREAD		-
3	64042	4	BASIC FITTING F40XS12-3/8 /8		-
4	A432527	2	VALVE CARTRIDGE 3/2 CONTROL VALVE		-
5	A432544	2	SOLENOID 12V / 26W		-
6	64700	1	HEXAGONAL PLUG R 1/4"		-

A450469 HYDRAULIC ATTACHMENT COUPLING PLATE 500,

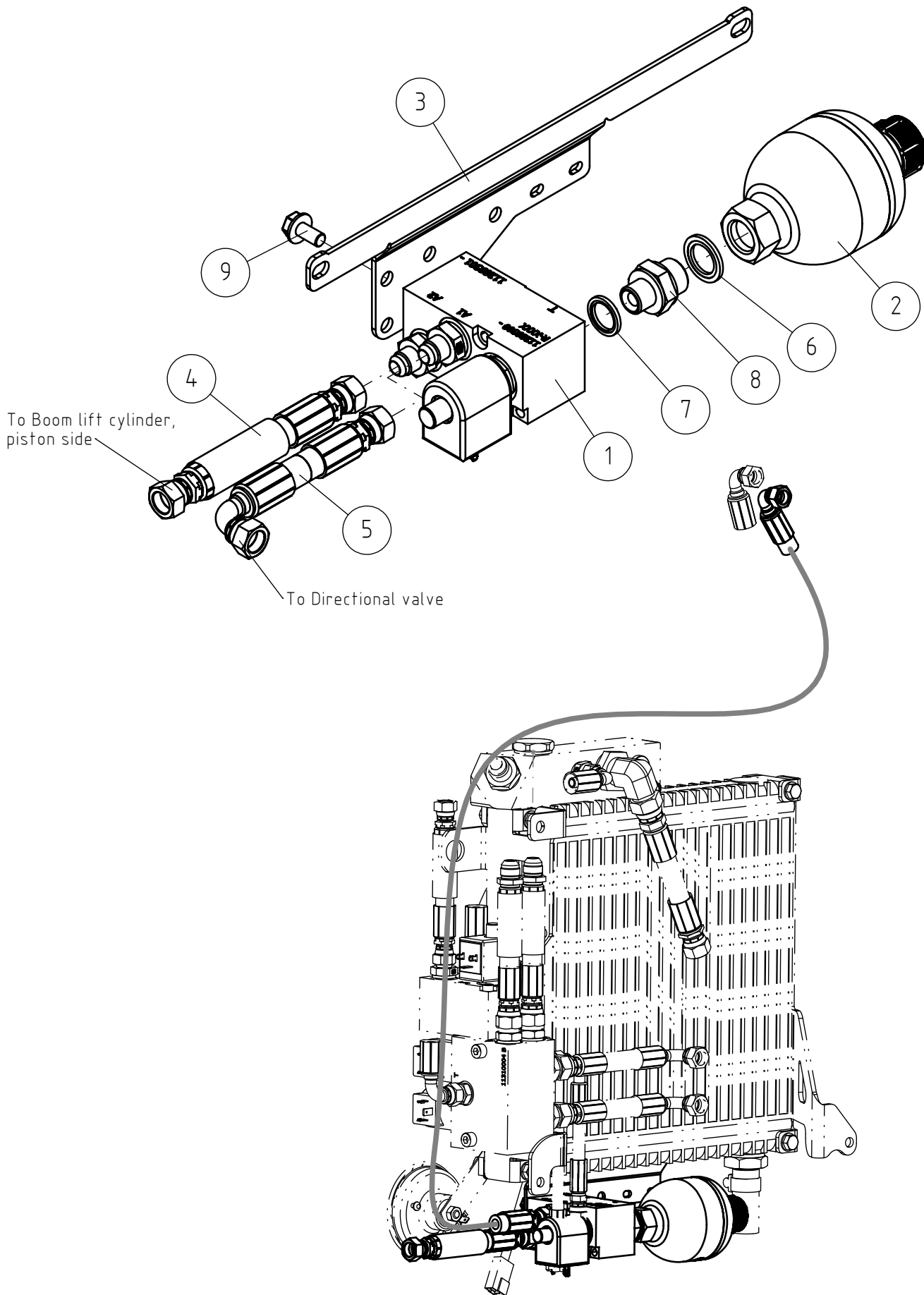


23.2.2024

A450469 HYDRAULIC ATTACHMENT COUPLING PLATE 500,

REF	PART NO	QTY	DESCRIPTION	NOTES	PAGE
1	A449703	1	VALVE ASSEMBLY HYDR. ATTACHMENT COUPLING		142
2	A430996	1	CONTROL SWITCH, HYDR ATTACHMENT COUPLING		-
3	A425700	1	HYDRAULIC CYLINDER F35/F35-30		-
4	A424829	1	MOUNTING BRACKET CYLINDER HYD QUICK ATTA		-
5	74752	1	HEXAGONAL HEAD SCREW M10*20 DIN 7984 ZN		-
6	73039	2	HEXAGONAL SCREW M 8*16 DIN 933 ZN		-
7	A424886	1	ROD HYDR. ATTACHMENT COUPLING		-
8	A410803	2	LOCKING PIN F20, HYDR. ATTACHM COUPLING		-
9	71793	2	SPRING COTTER PIN 6 * 40		-
10	73661	2	SPRING PIN 5*30 DIN 1481		-
11	A430549	2	COMPRESSION SPRING		-
12	A430210	1	HYDR. HOSE L=5600		-
13	A430203	1	HYDR. HOSE L=400		-
14	A415120	1	HYDR. HOSE L=750		-
15	A410017	1	HYDR. HOSE L=400		-
16	64078	1	L-FITTING BODY R6XS10		-
17	64059	1	BASIC FITTING F40XS10-1/4		-

A455808 SMOOTH DRIVE, 500 SERIES



23.2.2024

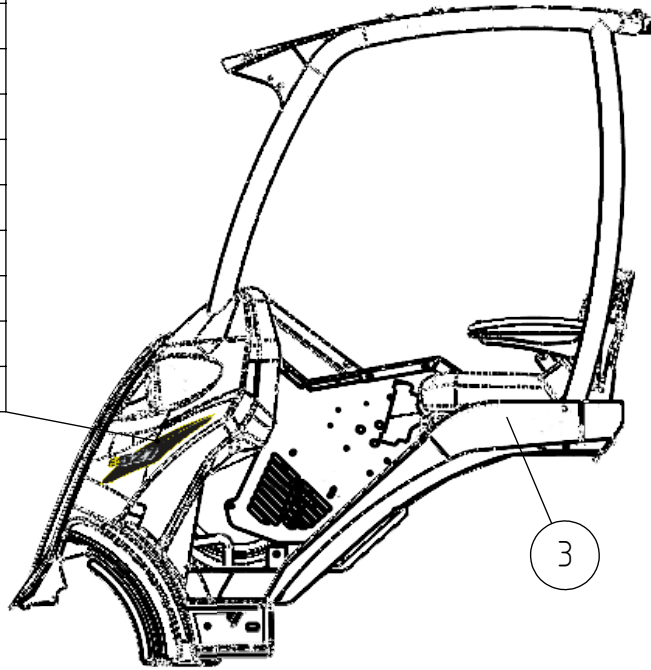
A455808 SMOOTH DRIVE, 500 SERIES

REF	PART NO	QTY	DESCRIPTION	NOTES	PAGE
1	A449669	1	SOLENOID VALVE 2/2		156
2	A427043	1	ACCUMULATOR 0,16L 40 BAR, ASSEMBLY		-
3	A449902	1	MOUNTING BRACKET ACCUMULATOR		-
4	A446813	1	HYDR. HOSE L=1650		-
5	A414045	1	HYDR. HOSE L=1300		-
6	73047	1	USIT SEAL RING R/12"		-
7	73379	1	USIT-COMPRESSION 3/8"		-
8	73408	1	REDUCTOR NIPPLE R3/8"-1/2"		-
9	A429200	2	HEXAGONAL SERRATED SCREW M8*16 WITH		-

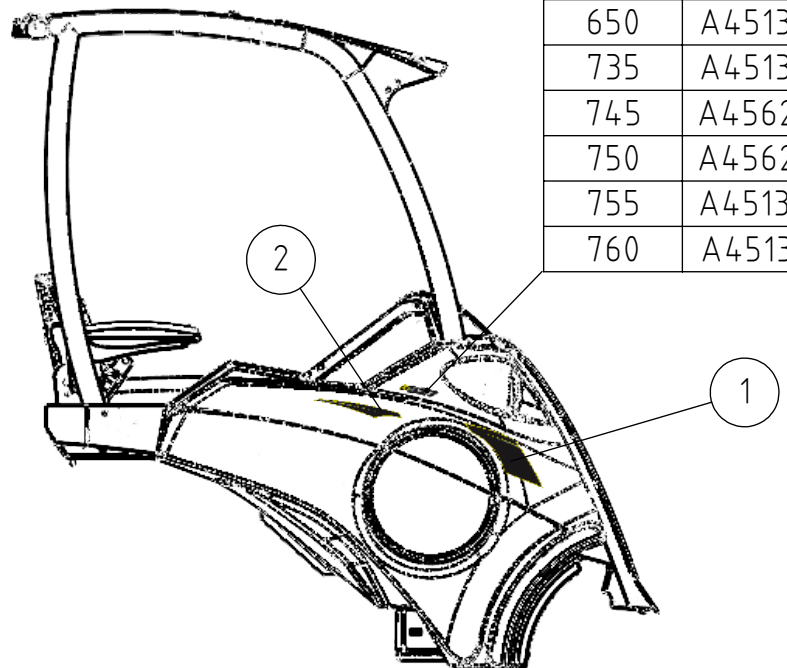
23.2.2024

A463671 DECAL KIT FRONT FRAME E513/E527 ROPS

Avant	Sticker
520	A457029
523	A456300
528	A456284
530	A456286
630	A456289
635	A456291
635i	A457019
640	A456294
640i	A457023
645	A451345
650	A451346
735	A451347
745	A456296
750	A456298
755	A451348
760	A451314



Avant	Tarra
520	A457028
523	A456299
528	A456283
530	A456285
630	A456288
635	A456290
635i	A457018
640	A456292
640i	A457022
645	A451322
650	A451342
735	A451343
745	A456295
750	A456297
755	A451344
760	A451325



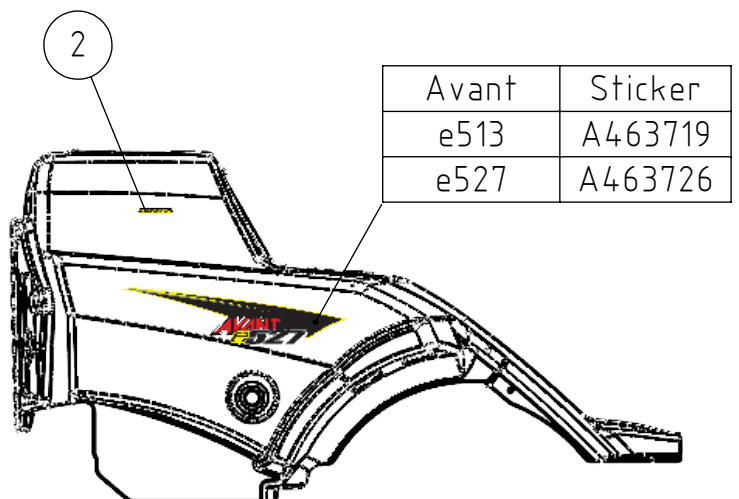
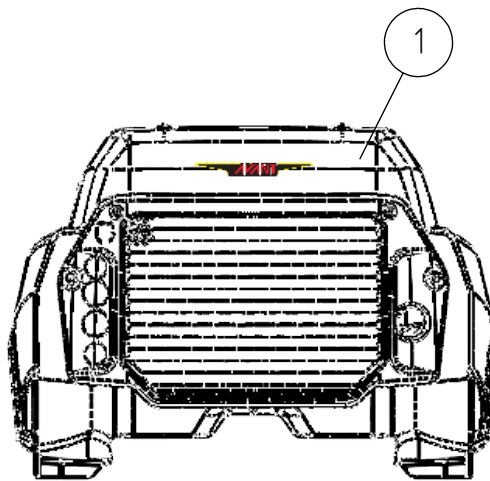
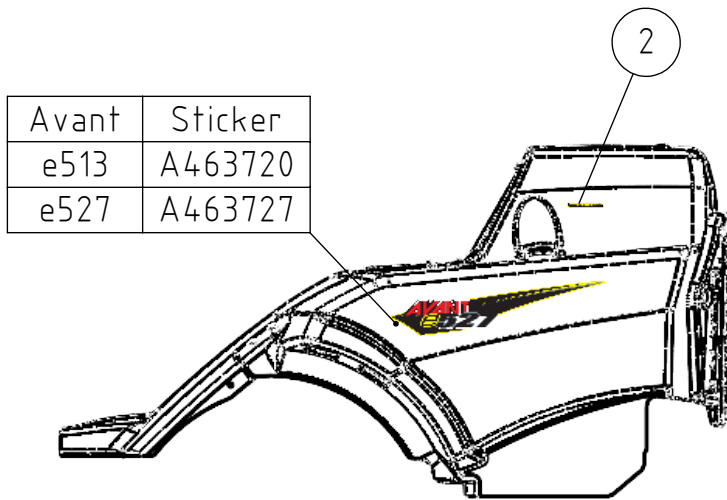
23.2.2024

A463671 DECAL KIT FRONT FRAME E513/E527 ROPS

REF	PART NO	QTY	DESCRIPTION	NOTES	PAGE
1	A463678	1			-
2	A463680	1			-
3	A451318	1	DECAL "OPTIDRIVE" LEFT SIDE FRONT FRAME		-
4	A463688	1	DECAL "E513" FRONT FRAME RIGHT		-
5	A463683	1	DECAL "E513" FRONT FRAME LEFT		-
6	A463696	1	DECAL "E527" FRONT FRAME RIGHT		-
7	A463695	1	DECAL "E527" FRONT FRAME LEFT		-

23.2.2024

A463699 DECAL KIT REAR FRAME E513/E527



23.2.2024

A463699 DECAL KIT REAR FRAME E513/E527

REF	PART NO	QTY	DESCRIPTION	NOTES	PAGE
1	A463698	1			-
2	A463728	2			-
3	A463719	1	DECAL "E513" REAR FRAME RIGHT		-
4	A463720	1	DECAL "E513" REAR FRAME LEFT		-
5	A463726	1	DECAL "E527" REAR FRAME RIGHT		-
6	A463727	1	DECAL "E527" REAR FRAME LEFT		-

AVANT[®]

Varaosat Spare parts

Manufacturer:

AVANT[®]

AVANT TECNO OY

e-mail: sales@avanttecho.com

Ylötie 1

33470 Ylöjärvi

FINLAND

Tel. +358 3 347 8800

Fax +358 3 348 5511