

AVANT[®] 850

**Varaosakirja
Parts Manual
Dellista
Ersatzteilliste**



**Serial numbers: XXXXXX2112 - XXXXXX2332
Series 2**

8/2023

Table Of Contents

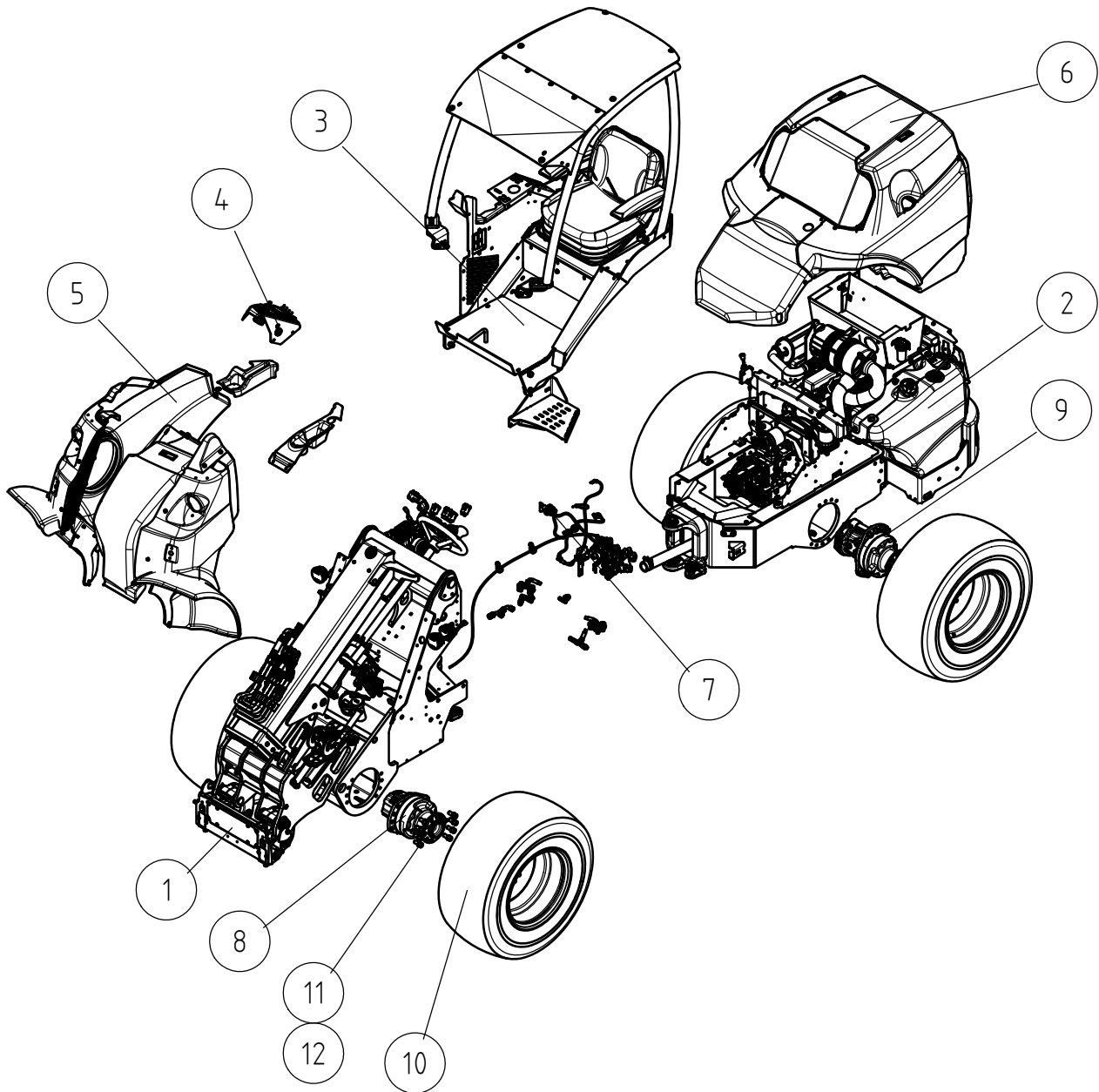
A444529	AVANT 850 SERIES 2	4
A21733	FRONT CHASSIS, ASSEMBLY, 800 SERIES	6
A430593	TELESCOPIC BOOM ASSEMBLY 800 SERIES	8
A430596	INNER BOOM ASSEMBLY 800 SERIES	10
A436965	ATTACHMENT COUPLING PLATE 800 SERIES	12
A436614	LOCKING PIN ASSEMBLY ATTACHM COUPL PLATE	14
A436687	LINKAGE PIECE "BOOMERANG" CAST STEEL	16
65252	MULTI CONNECTOR, ON LOADER	18
A459054	HYDRAULIC HOSES AND TUBES BOOM 800	20
A456514	HYDRAULIC TUBES BOOM 800 SERIES	22
A431028	CONTROL VALVE ASSEMBLY 800 SERIES	24
A429030	CONTROL VALVE HDS16	26
A435563	JOYSTICK ASSEMBLY	28
A436748	CONTROL LEVER AUX. HYDR. FRONT ASSEMBLY	30
A435446	STEERING COLUMN ASSEMBLY	32
A436850	HYDR. HOSES ORBITROL 800 SERIES	34
A438996	DRIVE PEDAL ASSEMBLY	36
A429318	HYDRAULIC OIL COOLER ASSEMBLY	38
A444530	REAR FRAME ASSEMBLY 850 SER2 KUBOTA	40
A442111	REAR CHASSIS ASSEMBLY 800 SERIES TIER 4	42
A37449	ARTICULATION JOINT ASSEMBLY REAR FRAME	44
A415984	LOAD SENSOR SYSTEM, COMPLETE ASSEMBLY	46
A429342	REAR WEIGHT/BUMPER 275 KG ASSEMBLY	48
A441285	ENGINE V2403 ASSEMBLY 745 / 750	50
65206	ENGINE V2403-M-E3B-AVN-1 *EU EXPORT ONLY	52
A441275	ACCESSORIES ENGINE KOHLER KUBOTA V2403	54
A451362	RADIATOR ASSEMBLY KUBOTA V1505/V2403 735	56
A441523	EXHAUST MUFFLER + PIPE ASSEMBLY 745/750	58
A441676	FUEL SYSTEM ASSEMBLY WITH FILTER 700/800	60
A429273	HYDRAULIC PUMPS ASSEMBLY 745/750 OPTIDRI	62
A439111	ENGINE BAY KUBOTA STG5 T4F 700-800	64
A436129	FUEL TANK ASSEMBLY 66L	66
A436989	HYDRAULIC MANIFOLD & HOSES 800 SERIES	68
A429045	ROPS CAB ASSEMBLY 800 SERIES	70
A426681	ROPS+FOPS CANOPY 800 SERIES, ASSEMBLY	72
A439987	INSTRUMENT PANEL WITH DECAL 700 / 800	74
A423593	DASHBOARD ASSEMBLY	76

22.8.2023

A429275	COVER PLATES, KIT, FRONT FRAME, 800 ROPS	*ABS	78
A438618	COVER PLATES HD KIT FRONT FRAME 800 ROPS	*PC/HD, optional extraA429275	80
A442266	COVER PLATES REAR FRAME ABS 700/800	*ABS	82
A445553	COVER PLATES REAR FRAME HD POLYCARBONATE	*PC/HD, optional extra	84
A437518	MUDGUARDS REAR 700/800 STAGE 5	*Mud guards	86
A441357	ELECTRIC SYSTEM ASSEMBLY AVANT 700		88
A451291	HYDR. HOSES DRIVE, WITH ANTI SLIP 860I	*DKOS fittings from 2022 week 26	90
A431829	HYDR. HOSES, DRIVE, 800 SER WITH ANTI-SL	*E03 fittings before 2022 week 26	92
A421617	HYDRAULIC MANIFOLD, ANTI SLIP VALVE	*E03 fittings before 2022 week 26	94
A421615	HYDRAULIC MANIFOLD DRIVE RELEASE &	*E03 fittings before 2022 week 26	96
A454024	HYDRAULIC MANIFOLD ANTI SLIP VALVE	*DKOS fittings from 2022 week 26	98
A454022	HYDRAULIC MANIFOLD 2-SPEED	*DKOS fittings from 2022 week 26	100
A428313	DECAL KIT 400-800 SERIES		102
A434866	SMOOTH DRIVE - BOOM SUSPENSION 800 SERIE		104
A433694	VALVE ASSEMBLY BOOM FLOAT/SELF LEVELLING		106
A430622	HYDRAULIC ATTACHMENT COUPLING PLATE		108
A36878	ATTACHMENT CONTROL SWITCH PACK		110
A434872	AUX. HYDR. OUTLET REAR DOUBLE ACTING 800		112
A434868	ANTI SLIP VALVE 800 SERIES OPTIDRIVE		114
A435400	JOYSTICK 8 FUNCTION WITH ANTI SLIP		116
A433228	ROAD TRAFFIC KIT 800 SERIES ROPS STAGE V		118
A439264	CAB L, 800 SERIES		120
A436328	TANK WINDSCREEN WASHER, ASSEMBLY		122
A436732	CAB GT, 800 SERIES		124
A434206	CONTROLS ASSEMBLY CAB GT		126
A423600	DASHBOARD CAB DLX ASSEMBLY	*Stage 3b	128
A436635	AIR DUCTS ASSEMBLY CAB GT		130
A436637	WINDSCREEN ASSEMBLY CAB GT		132
A437375	WINDSCREEN WIPER ASSEMBLY CAB GT		134
A434952	WINDOW RIGHT ASSEMBLY CAB GT		136
A434950	DOOR ASSEMBLY CAB GT		138
A438246	HEATER ASSEMBLY CAB GT		140
A438326	AIR CONDITIONING CAB GT		142
A434047	HEATER MODULE CAB GT		144
A438524	ROAD TRAFFIC KIT CAB GT 860I		146
A438326	AIR CONDITIONING CAB GT		142
A438525	REVERSE BEEPER, KIT, 755I/760I/860I		150

22.8.2023

A444529 AVANT 850 SERIES 2



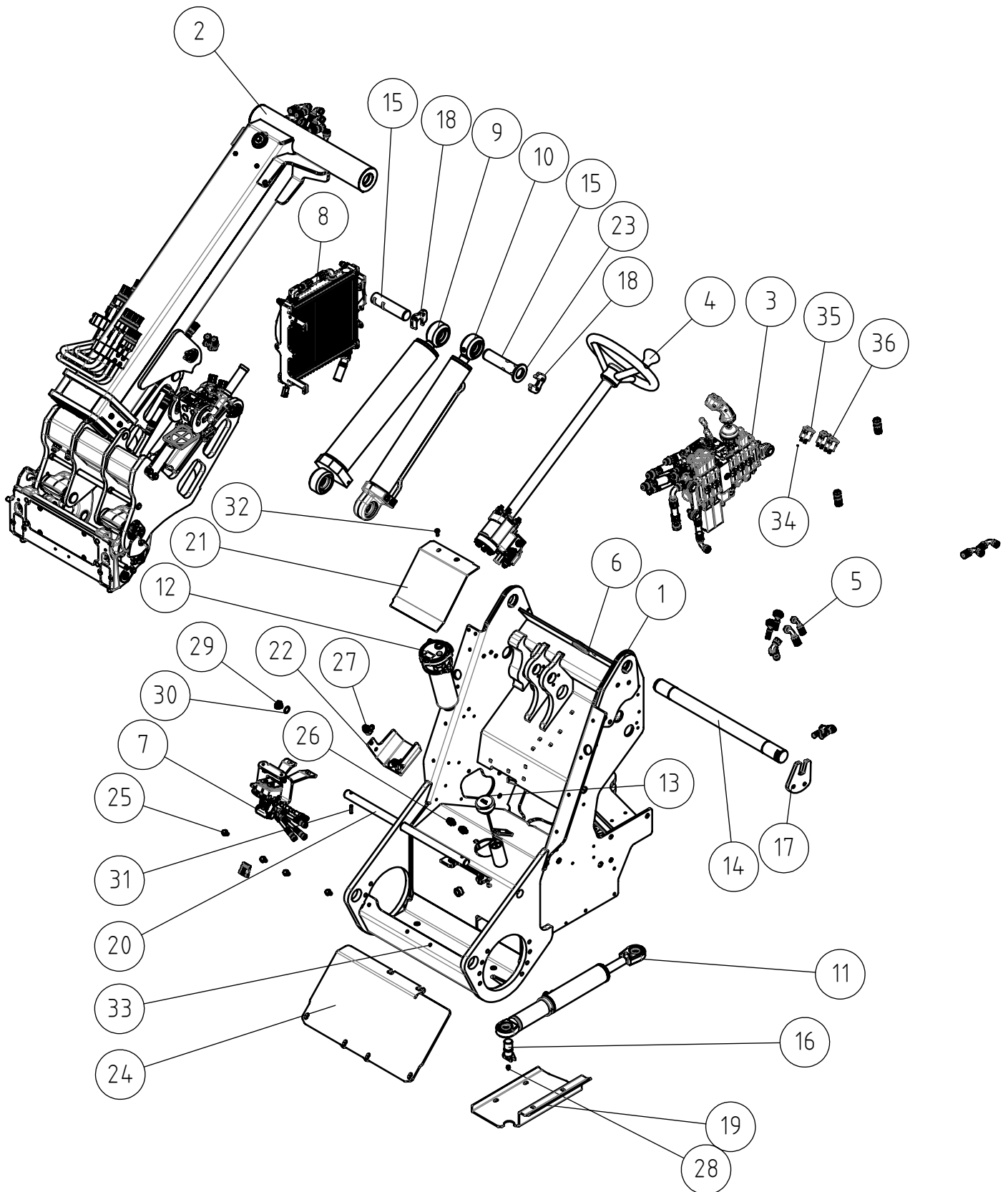
22.8.2023

A444529 AVANT 850 SERIES 2

REF	PART NO	QTY	DESCRIPTION	NOTES	PAGE
1	A21733	1	FRONT CHASSIS, ASSEMBLY, 800 SERIES		6
2	A444530	1	REAR FRAME ASSEMBLY 850 SER2 KUBOTA		40
3	A429045	1	ROPS CAB ASSEMBLY 800 SERIES		70
4	A423593	1	DASHBOARD ASSEMBLY		76
5*	A429275	1	COVER PLATES, KIT, FRONT FRAME, 800 ROPS	ABS	78
5**	A438618	1	COVER PLATES HD KIT FRONT FRAME 800 ROPS	PC/HD, optional extraA429275	80
6*	A442266	1	COVER PLATES REAR FRAME ABS 700/800	ABS	82
6***	A445553	1	COVER PLATES REAR FRAME HD POLYCARBONATE	PC/HD, optional extra	84
6****	A437518	1	MUDGUARDS REAR 700/800 STAGE 5	Mud guards	86
7	A441357	1	ELECTRIC SYSTEM ASSEMBLY AVANT 700		88
8	A428462	2	HYDRAULIC MOTOR MSE05 688/344 CM3 FRONT		-
8.1	A449480	10	WHEEL BOLT M14X1.5 L=50 10.9		-
9	A428463	2	HYDRAULIC MOTOR MSE05 688/344 CM3 REAR		-
9.1	A449480	10	WHEEL BOLT M14X1.5 L=50 10.9		-
10	66505	4	WHEEL (TYRE+RIM) 380/55-17 TRACTOR		-
10	A442475	4	WHEEL (TYRE+RIM) 380/55-17 GRASS PROFILE		-
11	A442920	32	HEXAGONAL HEAD SCREW M16*35 DIN 912 8.8		-
12	74533	32	WASHER, PAIR, M16 NL16 NORDLOCK		-
13*****	A451291	1	HYDR. HOSES DRIVE, WITH ANTI SLIP 860I	DKOS fittings from 2022 week 26	90
13*****	A431829	1	HYDR. HOSES, DRIVE, 800 SER WITH ANTI-SL	E03 fittings before 2022 week 26	92

22.8.2023

A21733 FRONT CHASSIS, ASSEMBLY, 800 SERIES



22.8.2023

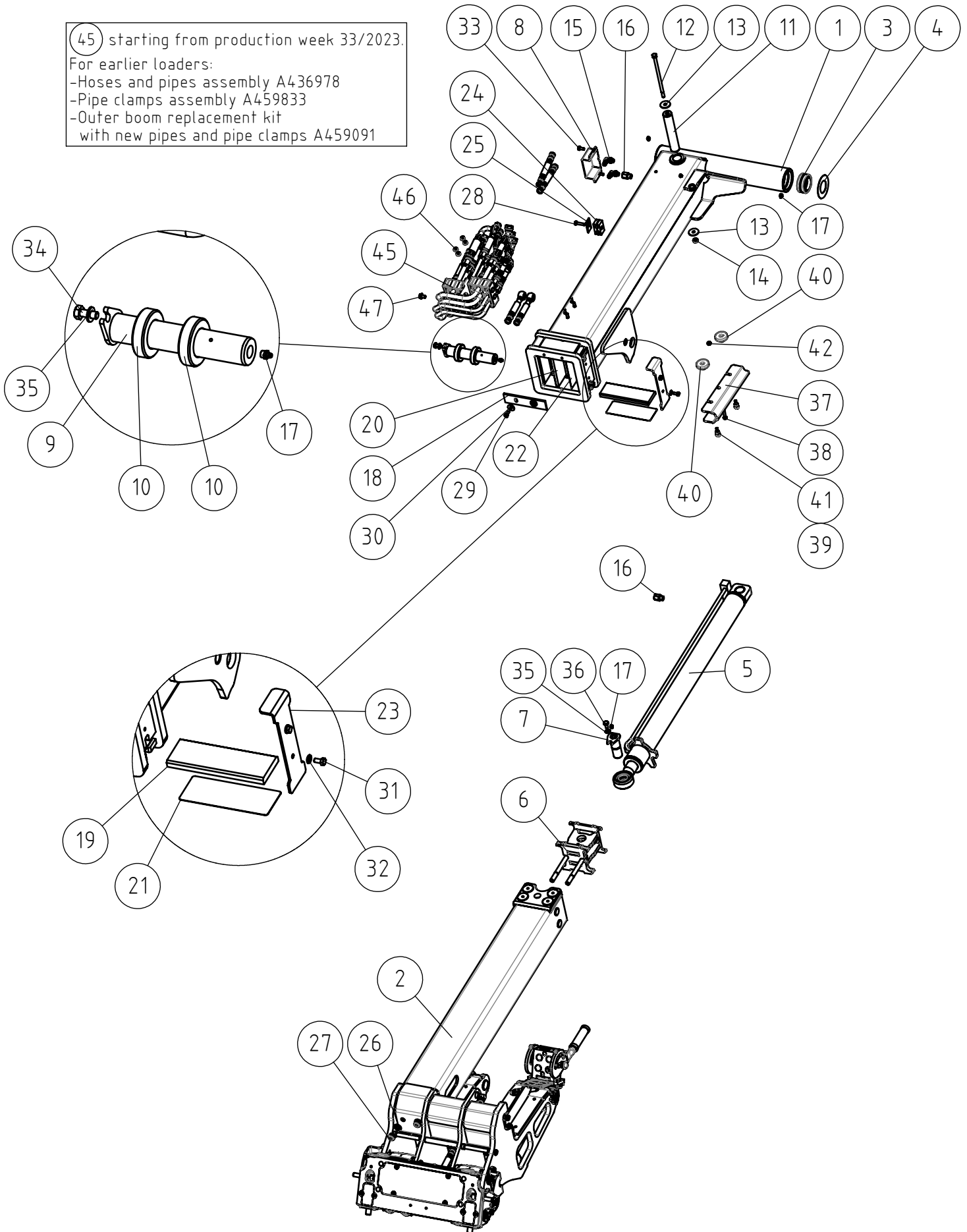
A21733 FRONT CHASSIS, ASSEMBLY, 800 SERIES

REF	PART NO	QTY	DESCRIPTION	NOTES	PAGE
1	A21732	1	FRONT FRAME 800 SERIES		-
2	A430593	1	TELESCOPIC BOOM ASSEMBLY 800 SERIES		8
2.1	A444453	1	SERVICE KIT BOOM 800 SERIES		-
2.2	A443340	1	SLIDE PAD KIT TELESCOPIC BOOM A430593		-
3	A431028	1	CONTROL VALVE ASSEMBLY 800 SERIES		24
4	A435446	1	STEERING COLUMN ASSEMBLY		32
5	A436850	1	HYDR. HOSES ORBITROL 800 SERIES		34
6	A428827	1	RUBBER BUSHING STEERING COLUMN		-
7	A438996	1	DRIVE PEDAL ASSEMBLY		36
8	A429318	1	HYDRAULIC OIL COOLER ASSEMBLY		38
9	A423143	1	HYDRAULIC CYLINDER 90/45-450		-
9.1	A446918	1	SEAL KIT, HYDR. CYLINDER F90/45 AMA		-
10	A424365	1	HYDRAULIC CYLINDER 70/35-450		-
10.1	A446917	1	SEAL KIT, HYDR. CYLINDER F70/35 AMA		-
11	A428384	1	HYDRAULIC CYLINDER 60/30-172		-
11.1	A443663	1	SEAL KIT, HYDR. CYLINDER F60/30 AMA		-
11.2	A443667	1	REPAIR KIT HYDR. CYLINDER A428384		-
11.3	A443666	1	VENT, HYDR. CYLINDER A428384		-
12	65205	1	HYDR. OIL FILTER RETURN, COMPLETE		-
12.1	65227	1	HYDR. OIL FILTER CARTRIDGE, RETURN		-
12.2	A427821	1	SEAL KIT HYDRAULIC RETURN OIL FILTER		-
12.3	A430808	1	FILTER BOWL LONG, HYDR. RETURN OIL		-
13	A48010	1	DIPSTICK L=230 HYDR. OIL R1 1/4"		-
14	A430647	1	PIVOT PIN 50-654		-
15	A428791	2	PIVOT PIN 40-167		-
16	A47655	1	PIVOT PIN F30-60		-
17	A430656	1	LOCKING PLATE 30MM + 2XM12		-
18	A428823	2	LOCKING PLATE 30MM + 2XM10		-
19	A410452	1	BOTTOM PLATE		-
20	A431489	1	ROD 29-628		-
21	A432186	1	PROTECTIVE PLATE, PEDAL VALVE		-
22	A433014	1	PROTECTIVE PLATE HOSES		-
23	A411429	3	SPACER S=6		-
24	A431611	1	COVER DRIVE MOTORS FRONT		-
25	A442181	6	HEXAGONAL SCREW M10*20 DIN 6921		-
26	64041	2	BASIC FITTING F40XS10-3/8 /8		-
27	64044	2	ELBOW FITTING 90° C40XS10-3/8 /8		-
28	72798	1	GREASE NIPPLE R 1/8" STRAIGHT		-
29	64352	1	HEXAGONAL DRAIN PLUG, MAGNETIC R 1/2		-
30	75117	1	SEAL RING F26/F21*1,5		-
31	71773	2	SPRING COTTER PIN 8* 32 DIN 1481		-
32	A435496	2	THREAD-FORMING SCREW M8*20 DIN 7500C		-
33	74783	6	HEXAGONAL NUT M10 WITH FLANGE		-
34	A49452	1	WIRE HARNESS, REAR AUX. HYDRAULICS		-
35	65276	1	ROCKER SWITCH, REAR AUXILIARY HYDRAULICS		-
36	A37231	1	WIRE HARNESS PARKING BRAKE/2-SPEED		-

22.8.2023

A430593 TELESCOPIC BOOM ASSEMBLY 800 SERIES

45 starting from production week 33/2023.
 For earlier loaders:
 -Hoses and pipes assembly A436978
 -Pipe clamps assembly A459833
 -Outer boom replacement kit
 with new pipes and pipe clamps A459091

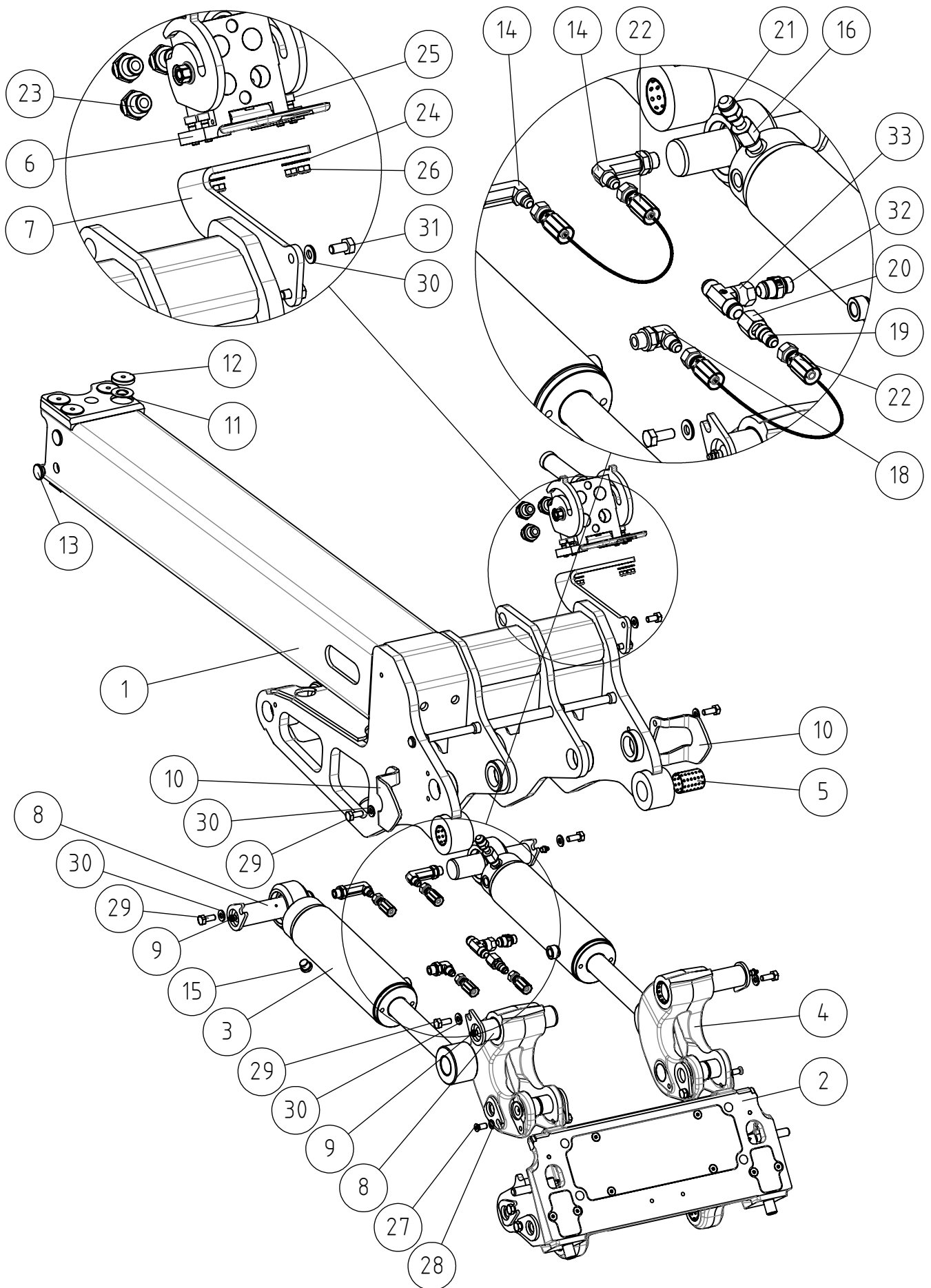


A430593 TELESCOPIC BOOM ASSEMBLY 800 SERIES

REF	PART NO	QTY	DESCRIPTION	NOTES	PAGE
1	A37280	1	OUTER BOOM, TELESCOPIC BOOM 800 SERIES		-
2	A430596	1	INNER BOOM ASSEMBLY 800 SERIES		10
3	A430590	2	ARTICUL. BEARING GE50S F75/50		-
4	A431962	2	WASHER 51/95 - 1		-
5	A428366	1	HYDRAULIC CYLINDER 70/45-825		-
6	A430637	1	BRACKET TELESCOPING CYLINDER		-
7	A412814	1	PIVOT PIN F35-98		-
8	A433203	1	PROTECTIVE PLATE HOSES TELESCOPE		-
9	A430882	1	PIVOT PIN 40-210		-
10	A430910	2	BUSHING 69/40 L=18		-
11	A430884	1	PIVOT PIN 35-196		-
12	A430906	1	HEXAGONAL SCREW M10*220 DIN 931		-
13	A430908	2	WASHER 40/11		-
14	72322	1	HEXAGONAL NUT M 10 NYLOC DIN 985		-
15	64087	2	ELBOW FITTING 90 DEGR. /4#		-
16	64324	2	REDUCER FITTING RI 3/8"-EDX 1/4"		-
17	72798	7	GREASE NIPPLE R 1/8" STRAIGHT		-
18	A430927	1	SCRAPER TELESCOPIC BOOM		-
19	A430928	2	SLIDE PAD 15X72X216 TELESCOPIC BOOM		-
20	A430929	2	SLIDE PAD 15X72X157 TELESCOPIC BOOM		-
21	A430931	4	ADJUSTMENT PLATE 198X72 1MM		-
22	A430932	4	ADJUSTMENT PLATE 157X72 1MM		-
23	A430934	2	COVER PLATE SLIDE PAD		-
24	64886	2	PIPE CLAMP 214/14		-
25	73767	2	COVER PLATE GD2-D, PIPE CLAMP		-
26	A430193	2	WASHER M16 A17 DIN 125		-
27	72330	2	HEXAGONAL NUT M16 NYLOC DIN 985		-
28	73443	2	HEXAGONAL SCREW M8*35		-
29	72130	2	HEXAGONAL SCREW M8*20		-
30	71685	2	WASHER M8 R9 DIN 440 ZN		-
31	73039	4	HEXAGONAL SCREW M 8*16 DIN 933 ZN		-
32	63944	4	WASHER, PAIR, NORD-LOCK M8		-
33	A435496	2	THREAD-FORMING SCREW M8*20 DIN 7500C		-
34	72150	1	HEXAGONAL SCREW M10*25 DIN 933 ZN		-
35	75102	2	SPACER NORDLOCK M10 NL10SP, PAIR		-
36	73040	1	HEXAGONAL SCREW M10*20 DIN 933 ZN		-
37	A431796	1	SERVICE SUPPORT, LIFT CYLINDER L=300		-
38	72141	1	HEXAGONAL SCREW M8*70 DIN 931		-
39	A429203	2	HEXAGONAL SERRATED SCREW M8*30 WITH FLAN		-
40	64188	2	FINGER SCREW R5026M8S		-
41	72320	2	HEXAGONAL NUT M8 NYLOC DIN 985		-
42	72319	1	HEXAGONAL NUT M8 DIN 934		-
43	A441791	1	WASHER 51/95 - 1,5		-
44	A441792	1	WASHER 51/95 - 2,0		-
45	A459054	1	HYDRAULIC HOSES AND TUBES BOOM 800		20
46	A450046	4	HEXAGONAL NUT M8 WITH FLANGE		-
47	A443858	1	HEXAGONAL SCREW M10*16 DIN 6921		-
-	A444453	1	SERVICE KIT BOOM 800 SERIES		-
-	A443340	1	SLIDE PAD KIT TELESCOPIC BOOM A430593		-

22.8.2023

A430596 INNER BOOM ASSEMBLY 800 SERIES



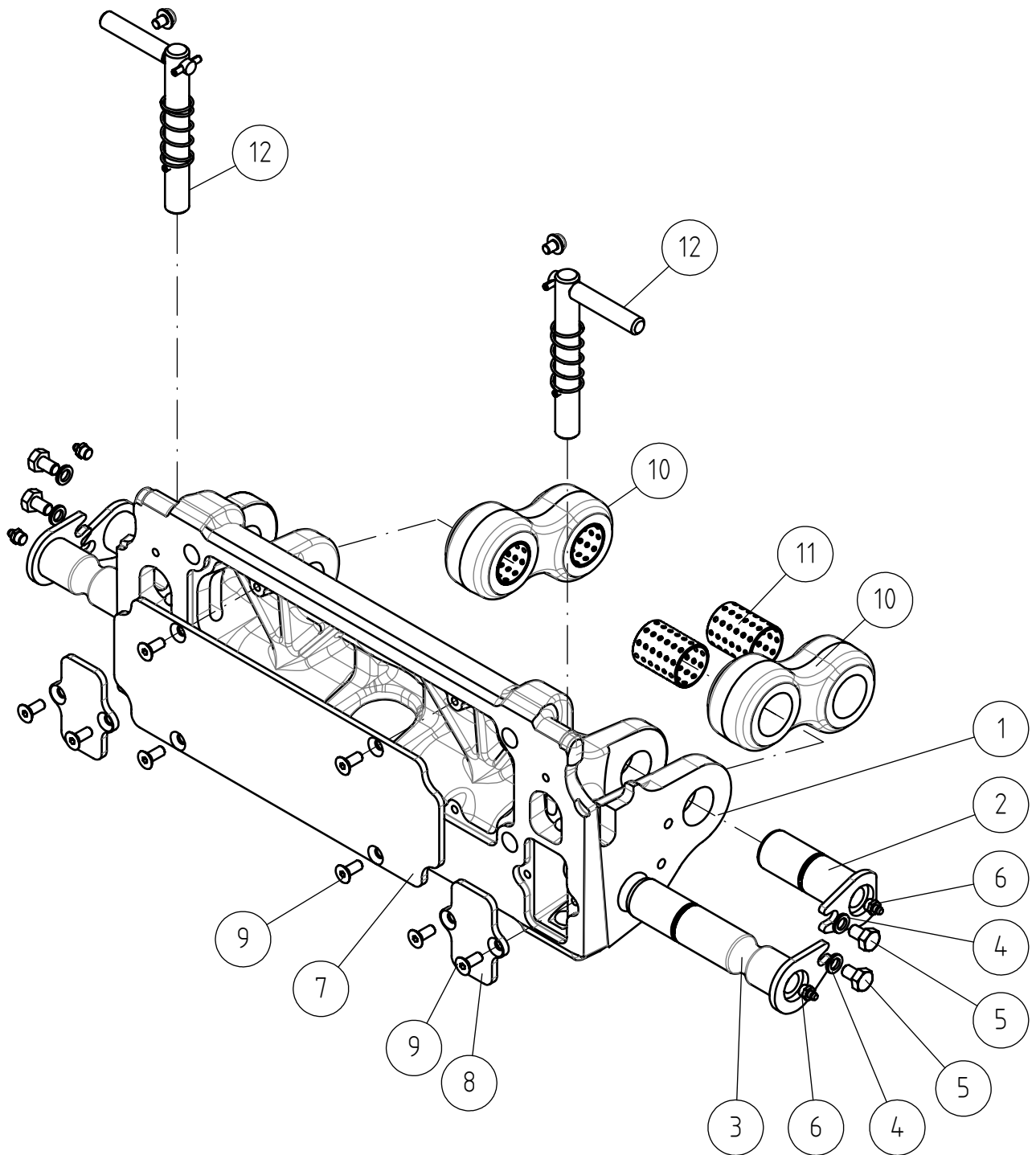
22.8.2023

A430596 INNER BOOM ASSEMBLY 800 SERIES

REF	PART NO	QTY	DESCRIPTION	NOTES	PAGE
1	A430529	1	INNER BOOM 800 SERIES		-
2	A436965	1	ATTACHMENT COUPLING PLATE 800 SERIES		12
3	A424320	2	HYDRAULIC CYLINDER 80/40-204		-
3.1	65002	1	SEAL KIT, 80/40CYLINDER		-
4	A436687	2	LINKAGE PIECE "BOOMERANG" CAST STEEL		16
5	64913	2	SLIDE BEARING BRM-80 F39/F35-50		-
6	65252	1	MULTI CONNECTOR, ON LOADER		18
7	A434393	1	MOUNTING BRACKET MULTI CONNECTOR		-
8	A412810	4	PIVOT PIN F40-167		-
9	72798	4	GREASE NIPPLE R 1/8" STRAIGHT		-
10	A430655	2	RELEASE PLATE		-
11	A47941	4	SLIDE PLATE		-
12	A47922	4	ROLLER, BOOM		-
13	A48343	4	ROLLER, BOOM		-
14	64111	2	ELBOW FITTING 90 DEGR. COA-10-3/8" LONG		-
15	74411	1	HEXAGONAL PLUG HF 3/8" HTUNG		-
16	64324	1	REDUCER FITTING RI 3/8"-EDX 1/4"		-
17	64069	1	T-FITTING BODY S40XS12-3/8		-
18	64044	1	ELBOW FITTING 90° C40XS10-3/8 /8		-
19	64051	1	REDUCER FITTING TRTXS12-10		-
20	64052	1	BINDING NUT BTXS12		-
21	65918	1	BASIC FITTING F40XS12-1/4		-
22	A436623	2	HYDR. HOSE L=400		-
23	65060	3	BASIC FITTING F40XS16-1/2		-
24	73122	4	WASHER M8 A8,4 DIN 125 ZN		-
25	71884	4	HEXAGONAL HEAD SCREW M 8*25 DIN 912 2		-
26	72320	4	HEXAGONAL NUT M8 NYLOC DIN 985		-
27	A433054	2	HEXAGONAL HEAD SCREW M10*20 10.9 2		-
28	74531	2	SPACER NORDLOCK M10, PAIR		-
29	72150	6	HEXAGONAL SCREW M10*25 DIN 933 ZN		-
30	75102	8	SPACER NORDLOCK M10 NL10SP, PAIR		-
31	73040	2	HEXAGONAL SCREW M10*20 DIN 933 ZN		-
32	64042	1	BASIC FITTING F40XS12-3/8 /8		-
33	64307	1	T FITTING BODY S6XS12 UNF3/4"JIC-2*UNF3/		-

22.8.2023

A436965 ATTACHMENT COUPLING PLATE 800 SERIES



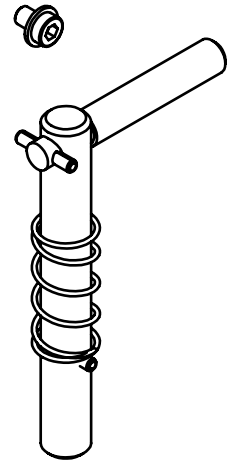
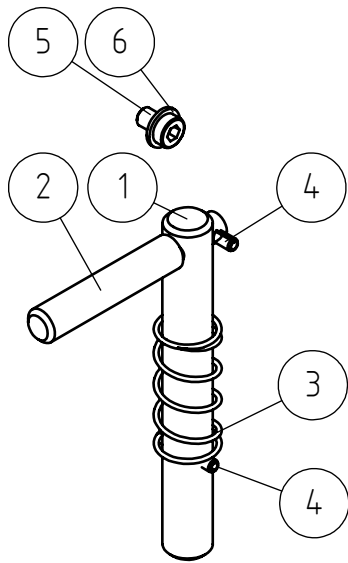
22.8.2023

A436965 ATTACHMENT COUPLING PLATE 800 SERIES

REF	PART NO	QTY	DESCRIPTION	NOTES	PAGE
1	A435467	1	ATTACHMENT COUPLING PLATE ADI CAST STEEL		-
2	A412814	2	PIVOT PIN F35-98		-
3	A427469	2	PIVOT PIN 35-175		-
4	74531	4	SPACER NORDLOCK M10, PAIR		-
5	72147	4	HEXAGONAL SCREW M 10*16 DIN 933		-
6	72798	4	GREASE NIPPLE R 1/8" STRAIGHT		-
7	A427458	1	COVERING PLATE 378X127 ATTACHM COUPL PLA		-
8	A427464	2	COVERING PLATE 87X47 ATTACHM COUPL PLATE		-
9	72052	8	COUNTERSUNK SOCKET HEAD SCREW M8*20 DIN		-
10	A430007	2	LINKAGE PIECE 700/800 SERIES		-
11	64913	4	SLIDE BEARING BRM-80 F39/F35-50		-
12	A436614	1	LOCKING PIN ASSEMBLY ATTACHM COUPL PLATE		14

22.8.2023

A436614 LOCKING PIN ASSEMBLY ATTACHM COUPL PLATE



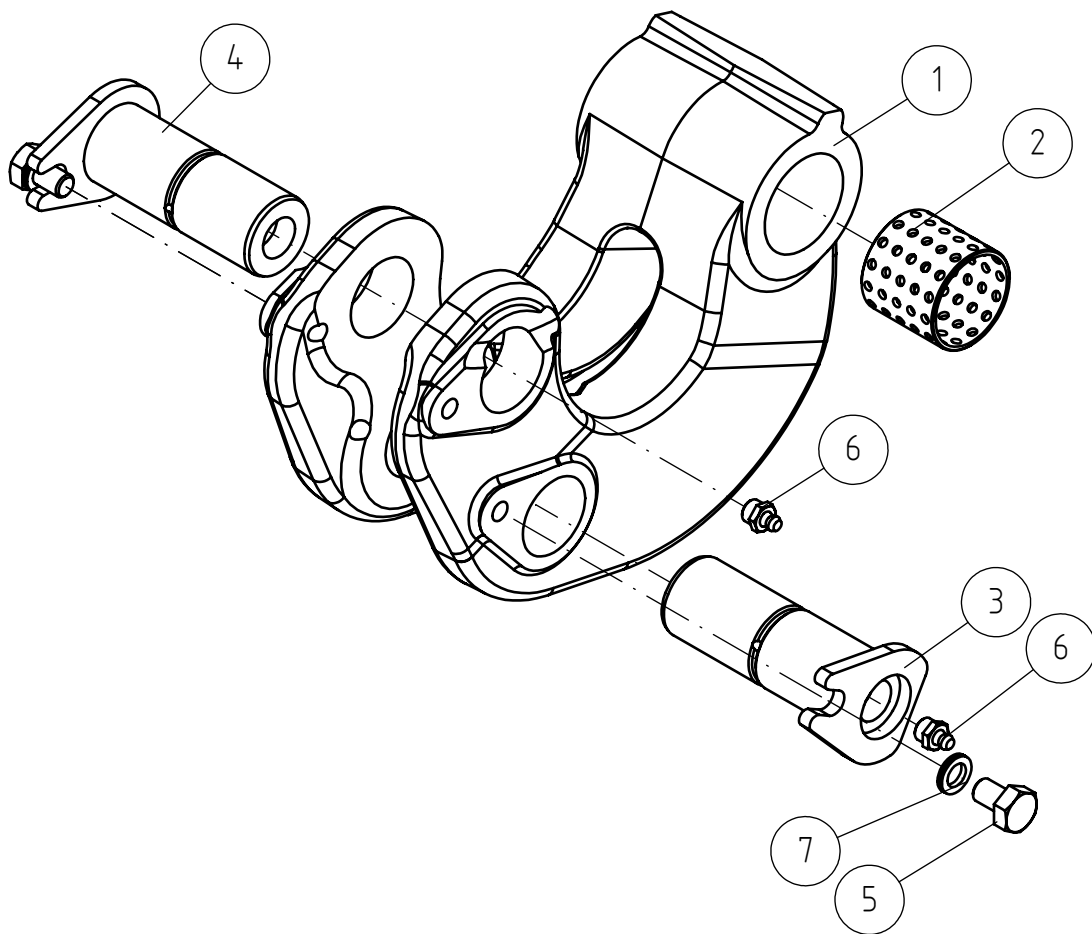
22.8.2023

A436614 LOCKING PIN ASSEMBLY ATTACHM COUPL PLATE

REF	PART NO	QTY	DESCRIPTION	NOTES	PAGE
1	A47687	2	LOCKING PIN F20		-
2	A47688	2	LATCH PIN		-
3	64138	2	COMPRESSION SPRIG DIN 2098 2*25*135		-
4	73661	4	SPRING PIN 5*30 DIN 1481		-
5	74932	2	HEXAGONAL HEAD SCREW M8*12		-
6	73122	2	WASHER M8 A8,4 DIN 125 ZN		-

22.8.2023

A436687 LINKAGE PIECE "BOOMERANG" CAST STEEL



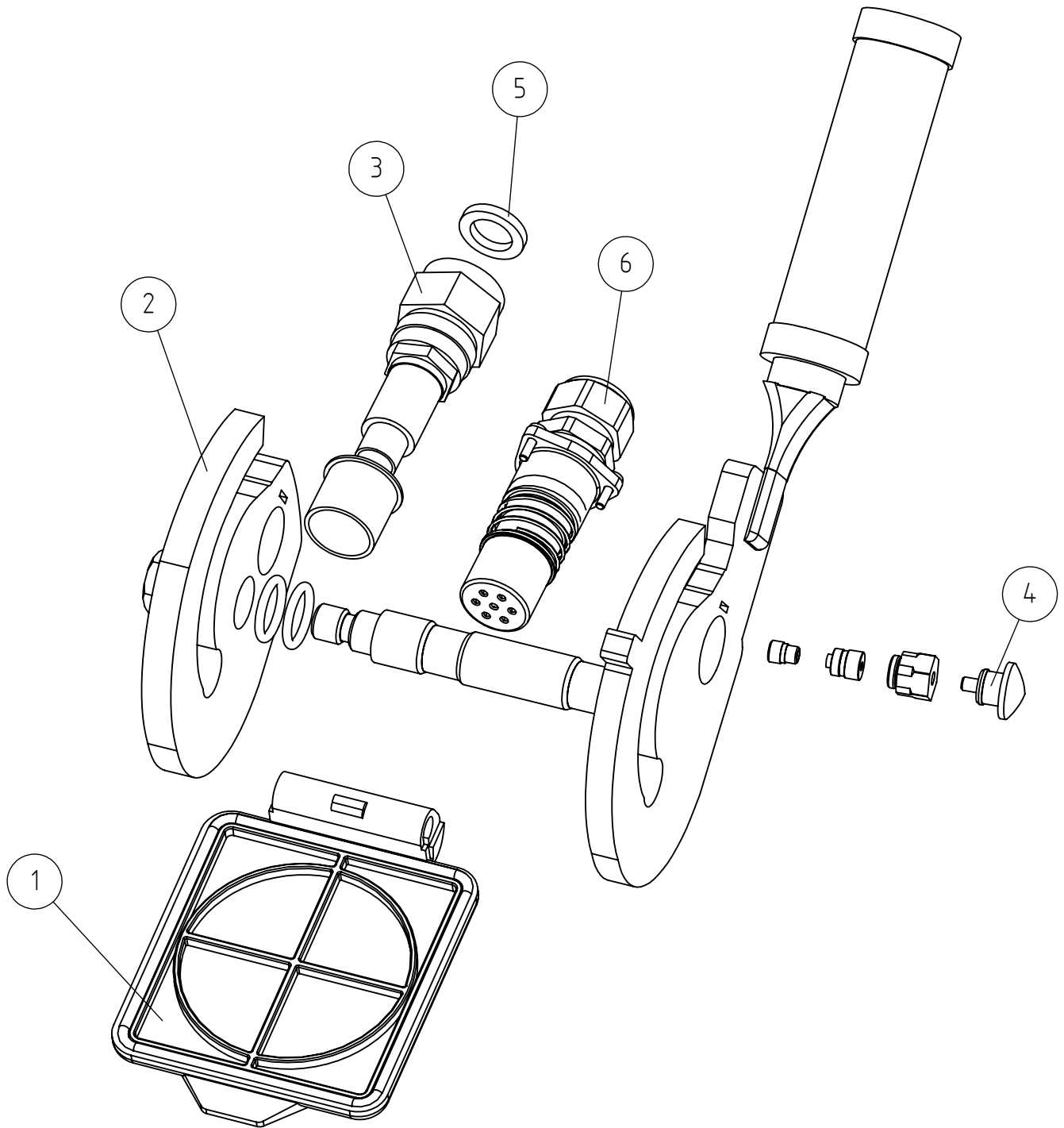
22.8.2023

A436687 LINKAGE PIECE "BOOMERANG" CAST STEEL

REF	PART NO	QTY	DESCRIPTION	NOTES	PAGE
1	A435456	1	LINKAGE PIECE "BOOMERANG" CAST STEEL		-
2	64912	2	SLIDE BEARING BRM-80 TF44/F40-40		-
3	A430579	1	PIVOT PIN 35-103		-
4	A430582	1	PIVOT PIN 35-92		-
5	72147	2	HEXAGONAL SCREW M 10*16 DIN 933		-
6	72798	2	GREASE NIPPLE R 1/8" STRAIGHT		-
7	74531	2	SPACER NORDLOCK M10, PAIR		-

22.8.2023

65252 MULTI CONNECTOR, ON LOADER



22.8.2023

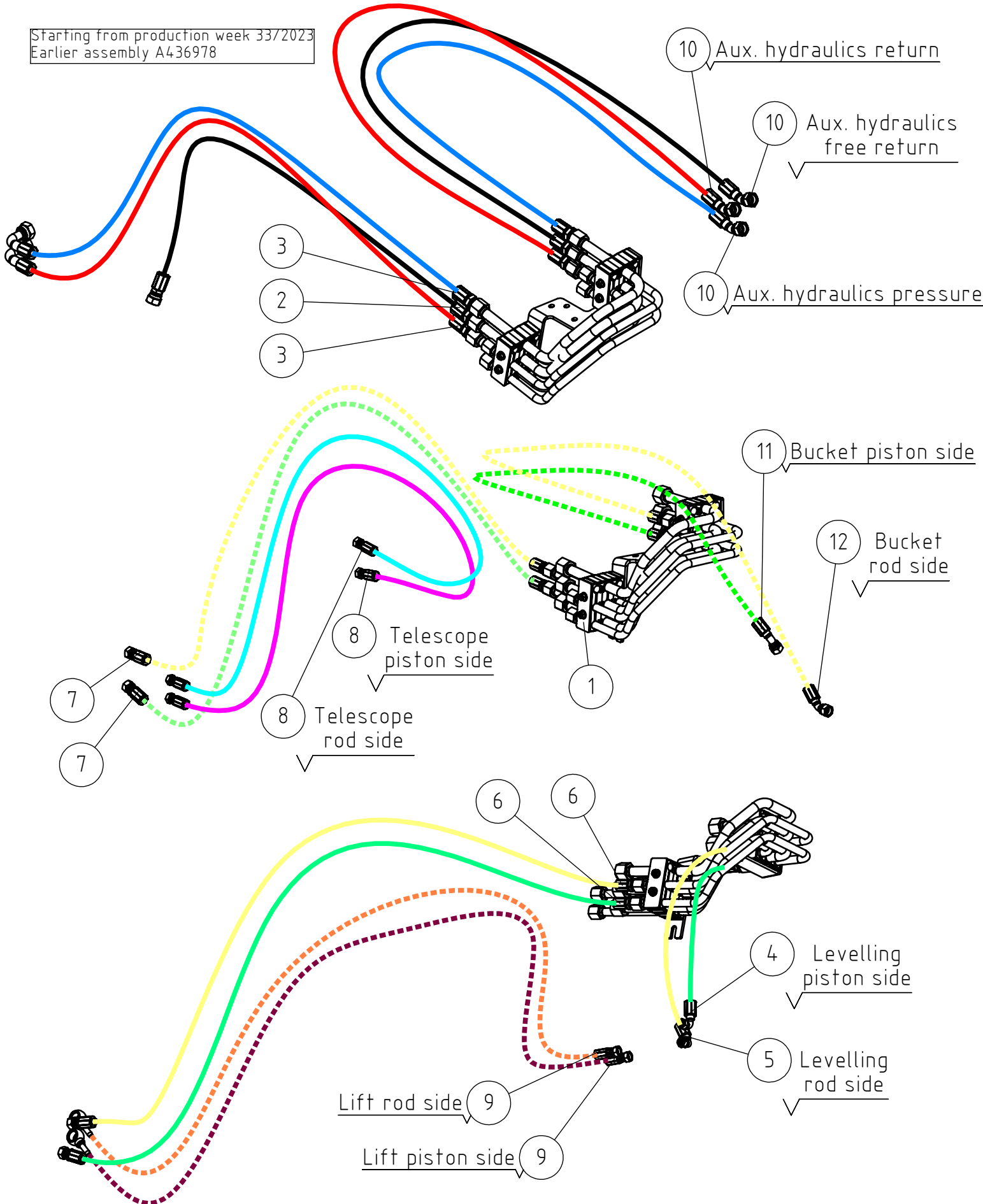
65252 MULTI CONNECTOR, ON LOADER

REF	PART NO	QTY	DESCRIPTION	NOTES	PAGE
1	65882	1	CAP PLATE, KIT, MULTI CONNECTOR		-
2	65884	1	HANDLE, KIT, MULTI CONNECTOR ON LOADER		-
3	65881	1	QUICK COUPLER, ON MULTI CONNECTOR		-
4	65883	1	SAFETY BUTTON, KIT, MULTI CONNECTOR		-
5	65880	1	SEAL RING, MULTI CONNECTOR SK MF 12		-
6	75035	1	ELECTRIC CONNECTOR FEMININE, FASTER		-

22.8.2023

A459054 HYDRAULIC HOSES AND TUBES BOOM 800

Starting from production week 33/2023
Earlier assembly A436978



22.8.2023

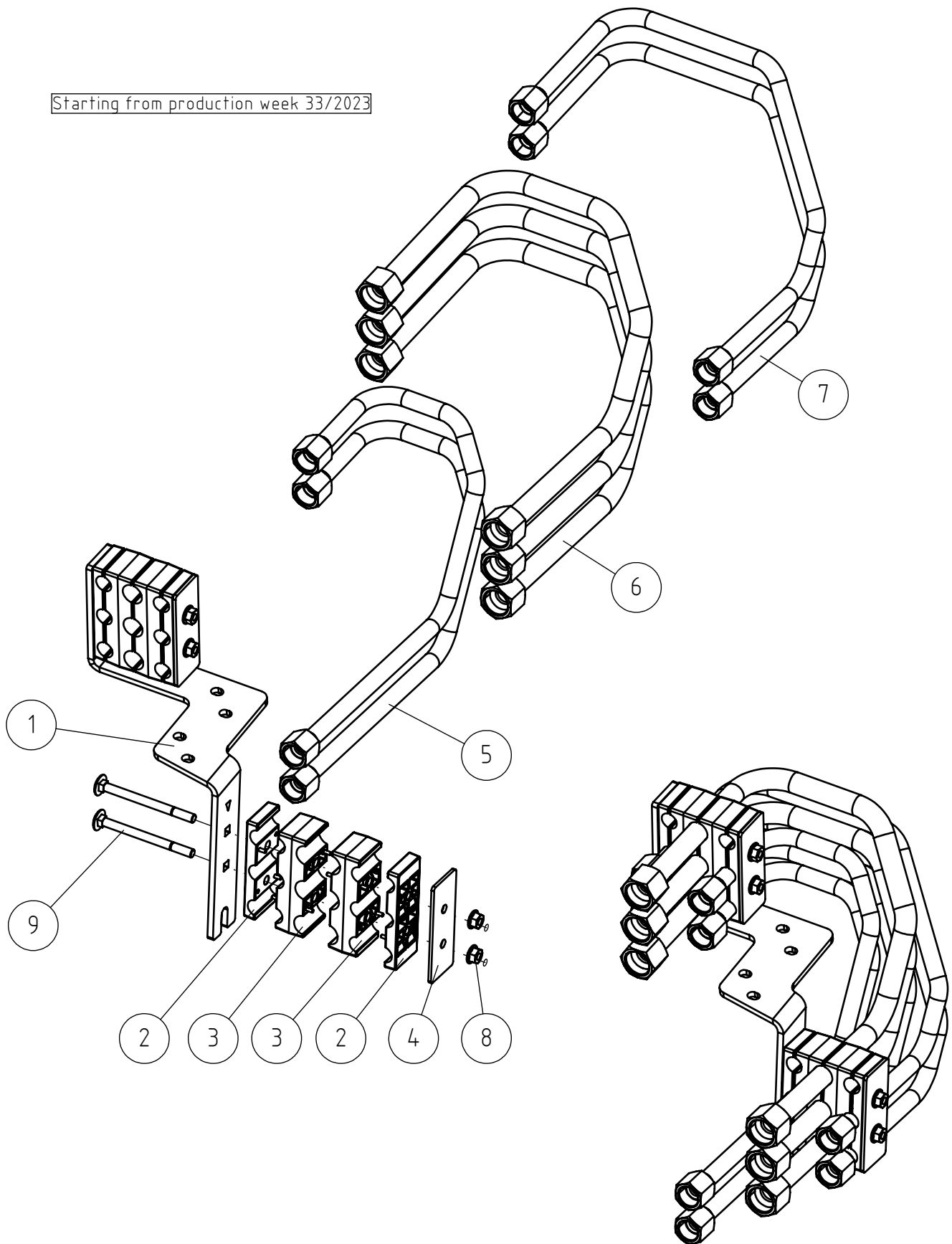
A459054 HYDRAULIC HOSES AND TUBES BOOM 800

REF	PART NO	QTY	DESCRIPTION	NOTES	PAGE
1	A456514	1	HYDRAULIC TUBES BOOM 800 SERIES		22
2	A450709	1	HYDR. HOSE L=1200		-
3	A434563	2	HYDR. HOSE L=1490		-
4	A434608	2	HYDR. HOSE L=490		-
5	A434609	2	HYDR. HOSE L=570		-
6	A445693	4	HYDR. HOSE L=1650		-
7	A445695	4	HYDR. HOSE L=1550		-
8	A438500	2	HYDR. HOSE L=1650		-
9	A445691	2	HYDR. HOSE L=1690		-
10	A434564	3	HYDR. HOSE L=1550		-
11	A434614	1	HYDR. HOSE L=1730		-
12	A434615	1	HYDR. HOSE L=2030		-

22.8.2023

A456514 HYDRAULIC TUBES BOOM 800 SERIES

Starting from production week 33/2023



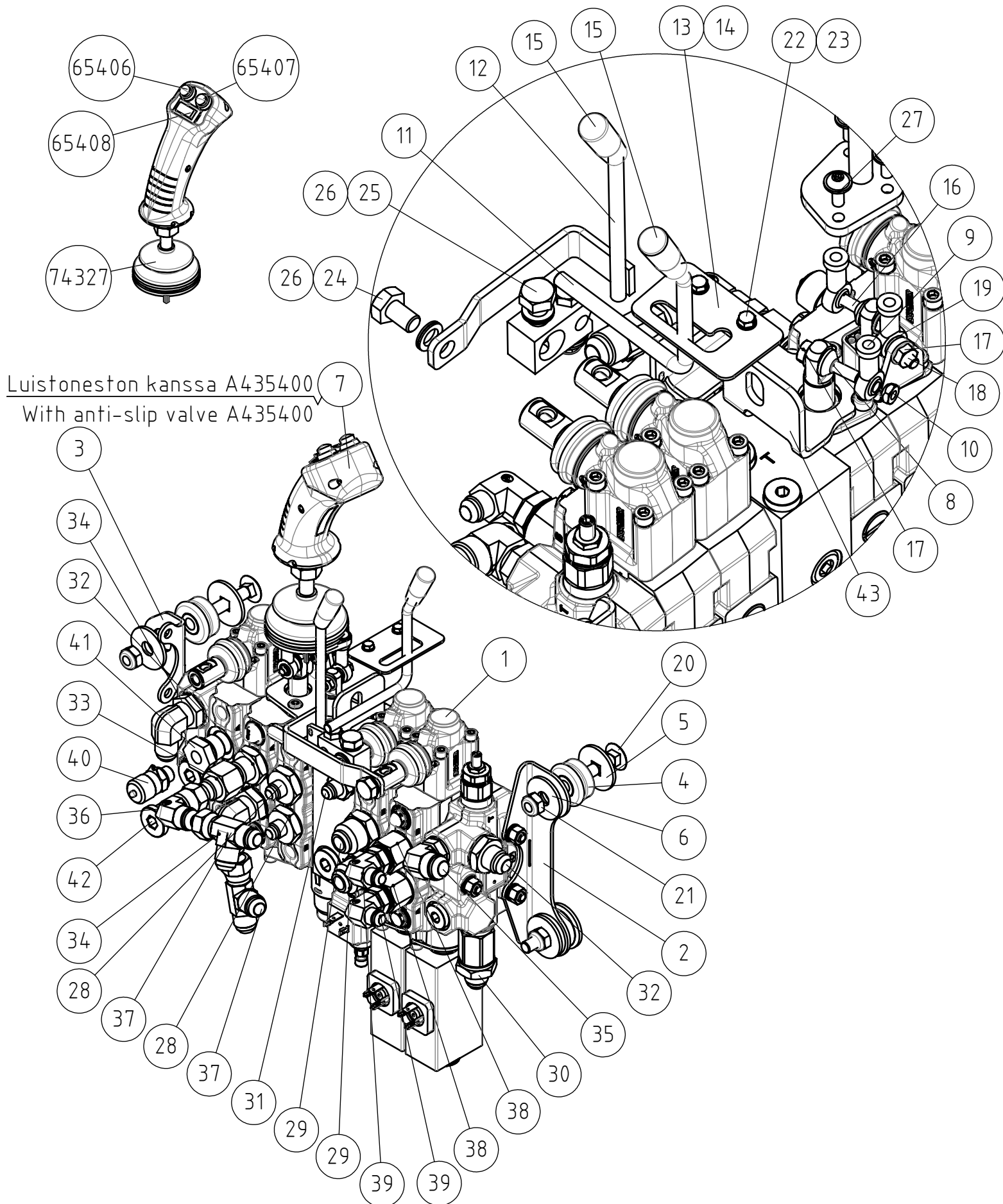
22.8.2023

A456514 HYDRAULIC TUBES BOOM 800 SERIES

REF	PART NO	QTY	DESCRIPTION	NOTES	PAGE
1	A459049	1	MOUNTING BRACKET HYDR. TUBES		-
2	A455308	4	PIPE CLAMP 3X16		-
3	A455319	4	PIPE CLAMP 3X20+3X16		-
4	A455307	2	COVER PLATE PIPE CLAMP		-
5	A457626	2	HYDRAULIC PIPE F16X2.0 INNER		-
6	A457631	3	HYDRAULIC PIPE F20X2.0		-
7	A457632	2	HYDRAULIC PIPE F16X2.0 OUTER		-
8	A450046	4	HEXAGONAL NUT M8 WITH FLANGE		-
9	A455434	4	CARRIAGE BOLT M8*100 DIN 603		-

22.8.2023

A431028 CONTROL VALVE ASSEMBLY 800 SERIES



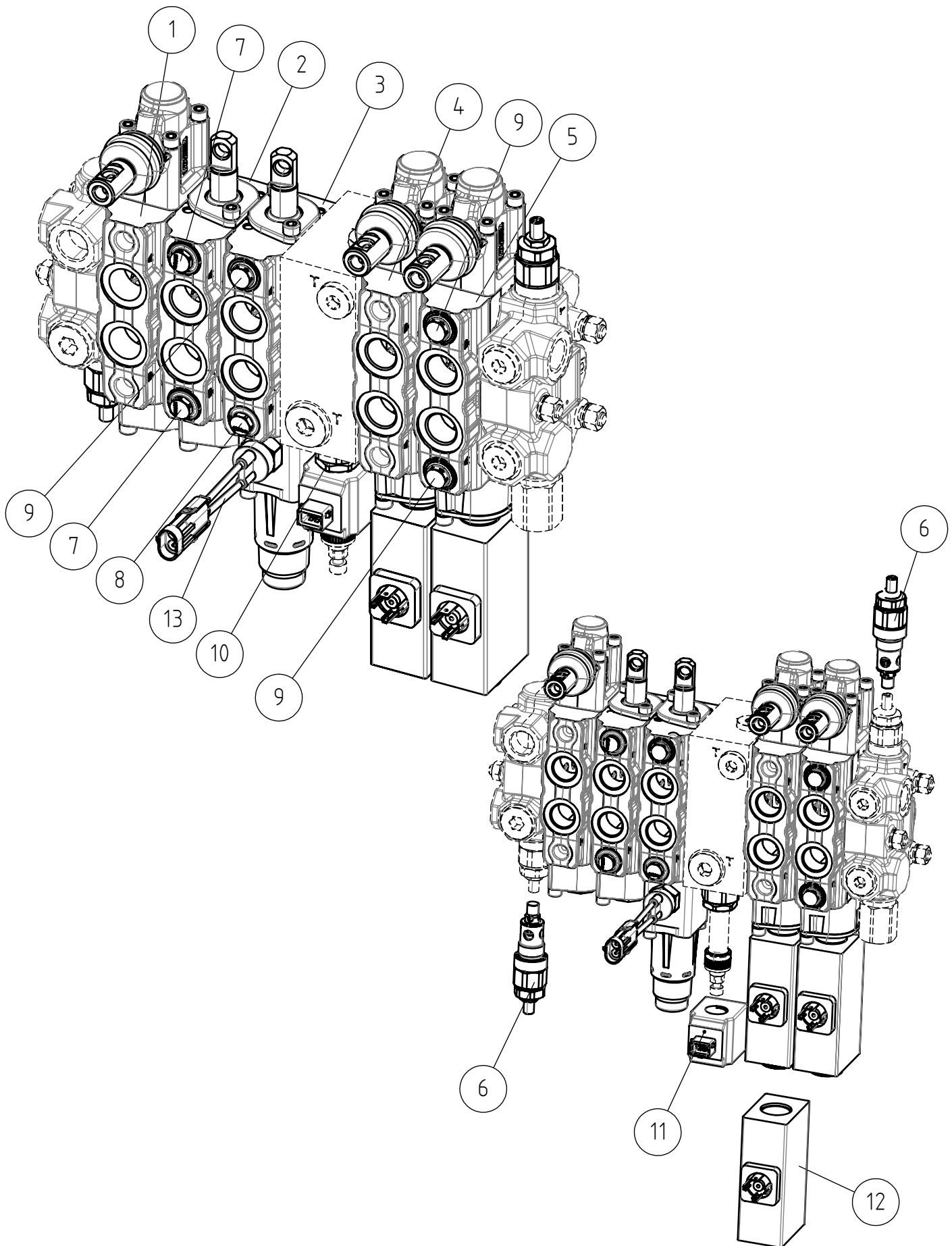
22.8.2023

A431028 CONTROL VALVE ASSEMBLY 800 SERIES

REF	PART NO	QTY	DESCRIPTION	NOTES	PAGE
1	A429030	1	CONTROL VALVE HDS16		26
1.1	A439953	1	VALVE SECTION WITH BOOM FLOATING CONTROL		-
1.2	A447990	1	SEAL KIT CONTROL VALVE BUCHER A429030		-
2	A431030	1	MOUNTING BRACKET FRONT, CONTROL VALVE		-
3	A431032	1	MOUNTING BRACKET REAR, CONTROL VALVE		-
4	A431033	3	VIBRATION DAMPER SCBR 45SH		-
5	A431029	3	SPACER 3MM		-
6	A431034	3	WASHER Ø38/12,5, S=3 SCBR 38		-
7	A435563	1	JOYSTICK ASSEMBLY		28
7.1	65406	1	PUSHBUTTON, RED, AUX. HYDR. JOYSTICK		-
7.2	65407	1	PUSHBUTTON, BLUE, JOYSTICK, AUX. HYDR.		-
7.3	65408	1	ROCKER SWITCH, BLACK, JOYSTICK		-
8	A431066	1	PIN LONG CONTROL LEVERS M6 THREAD		-
9	65501	3	ROD END JAF 6		-
10	A41822	1	LEVERAGE NUT M 6		-
11	A436748	1	CONTROL LEVER AUX. HYDR. FRONT ASSEMBLY		30
12	A442075	1	CONTROL LEVER TELEBOOM 800 SERIES		-
13	A410901	1	LOCKING PLATE, CONTROL LEVER		-
14	A48360	1	LOCKING PIECE		-
15	74761	2	KNOB, CONTROL LEVER		-
16	A450523	1	BOLT CONTROL LEVER		-
17	74781	4	HEXAGONAL NUT M6 WITH FLANGE		-
18	A450520	1	HEXAGONAL HEAD SCREW M6*25 10.9		-
19	71680	1	WASHER M6 DIN 125		-
20	A437458	3	CARRIAGE BOLT M10*50 DIN603		-
21	72322	3	HEXAGONAL NUT M 10 NYLOC DIN 985		-
22	72110	2	HEX. SCREW M5*16 DIN 933		-
23	74448	2	WASHER M5 A5,3 DIN 125 ZN		-
24	72147	1	HEXAGONAL SCREW M 10*16 DIN 933		-
25	72151	1	HEXAGONAL SCREW M10*30 DIN 933 ZN		-
26	74531	2	SPACER NORDLOCK M10, PAIR		-
27	A442149	3	THREAD-FORMING SCREW M6*16 BN219-8.8		-
28	64040	2	BASIC FITTING F40XS10-1/2 /2		-
29	64156	2	BASIC FITTING F40XS20-1/2"		-
30	64058	1	BASIC FITTING F40XS12-1/2		-
31	64041	1	BASIC FITTING F40XS10-3/8 /8		-
32	65060	2	BASIC FITTING F40XS16-1/2		-
33	64909	1	REDUCER FITTING TRTXS16-12		-
34	64045	2	ELBOW FITTING 90° C40XS12-1/2 /2		-
35	65714	1	ELBOW FITTING 90 DEGR. C40XS16-3/8"		-
36	64134	1	ELBOW FITTING 90 DEGR. C6XS12		-
37	64050	2	L-FITTING BODY R6XS12		-
38	73958	2	REDUCER FITTING RI 1/2" - EDX 3/8"		-
39	64044	2	ELBOW FITTING 90° C40XS10-3/8 /8		-
40	64196	1	MANOMETER FITTING M16*2		-
41	64743	1	REDUCER FITTING R1/2" - EDX 1/4"		-
42	64174	1	HEXAGONAL DRAIN PLUG HF 1/2" WITH SEAL		-
43	A444398	1	MOUNTING PLATE CONTROL LEVERS		-

22.8.2023

A429030 CONTROL VALVE HDS16



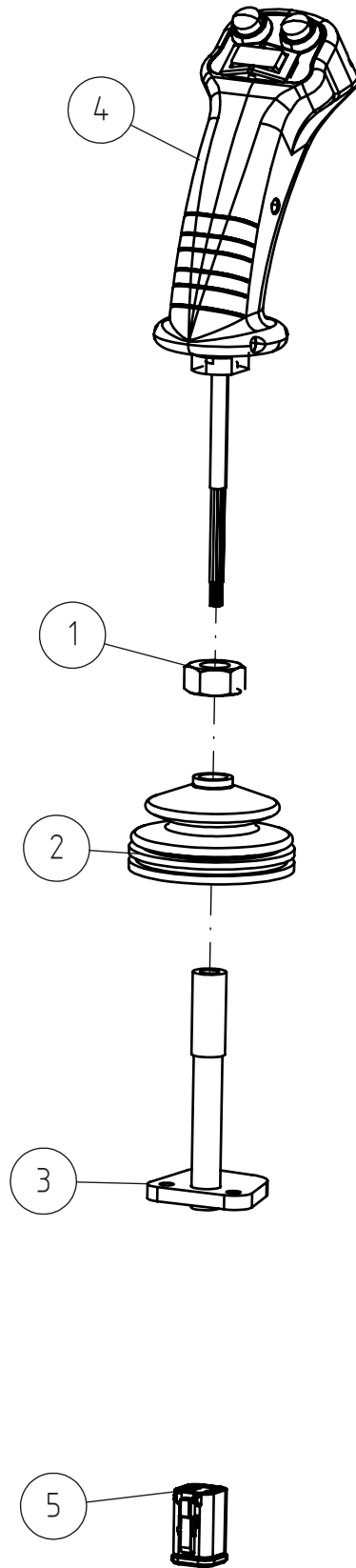
22.8.2023

A429030 CONTROL VALVE HDS16

REF	PART NO	QTY	DESCRIPTION	NOTES	PAGE
1	A449639	1	VALVE SECTION REAR AUX. HYDR., CONTROL		-
2	A449637	1	VALVE SECTION TILT CYLINDER CONTROL		-
3	A439953	1	VALVE SECTION WITH BOOM FLOATING CONTROL		-
4	A449636	1	VALVE SECTION EXTRA FRONT AUX. HYDR.,		-
5	A443909	1	VALVE SECTION TELESCOPE, CONTROL VALVE		-
6	A449641	2	PRESSURE RELIEF VALVE CARTRIDGE 150-250		-
7	A449642	2	SHOCK- SUCTION VALVE CARTRIDGE 280 BAR		-
8	A449644	1	SHOCK- SUCTION VALVE CARTRIDGE 320 BAR		-
9	A449645	3	SUCTION VALVE CARTRIDGE HDS16		-
10	A449647	1	VALVE CARTRIDGE 2/2 PUMP SELECTION HDS16		-
11	A441534	1	SOLENOID 12V/21W + DIODE		-
12	A434106	1	SOLENOID 12VDC/60W PUSH-PULL		-
13	A449646	1	MICROSWITCH SAE 6 TO CONTROL VALVE HDS16		-
14	A447990	1	SEAL KIT CONTROL VALVE BUCHER A429030		-
-	A439953	1	VALVE SECTION WITH BOOM FLOATING CONTROL		-
-	A447990	1	SEAL KIT CONTROL VALVE BUCHER A429030		-

22.8.2023

A435563 JOYSTICK ASSEMBLY



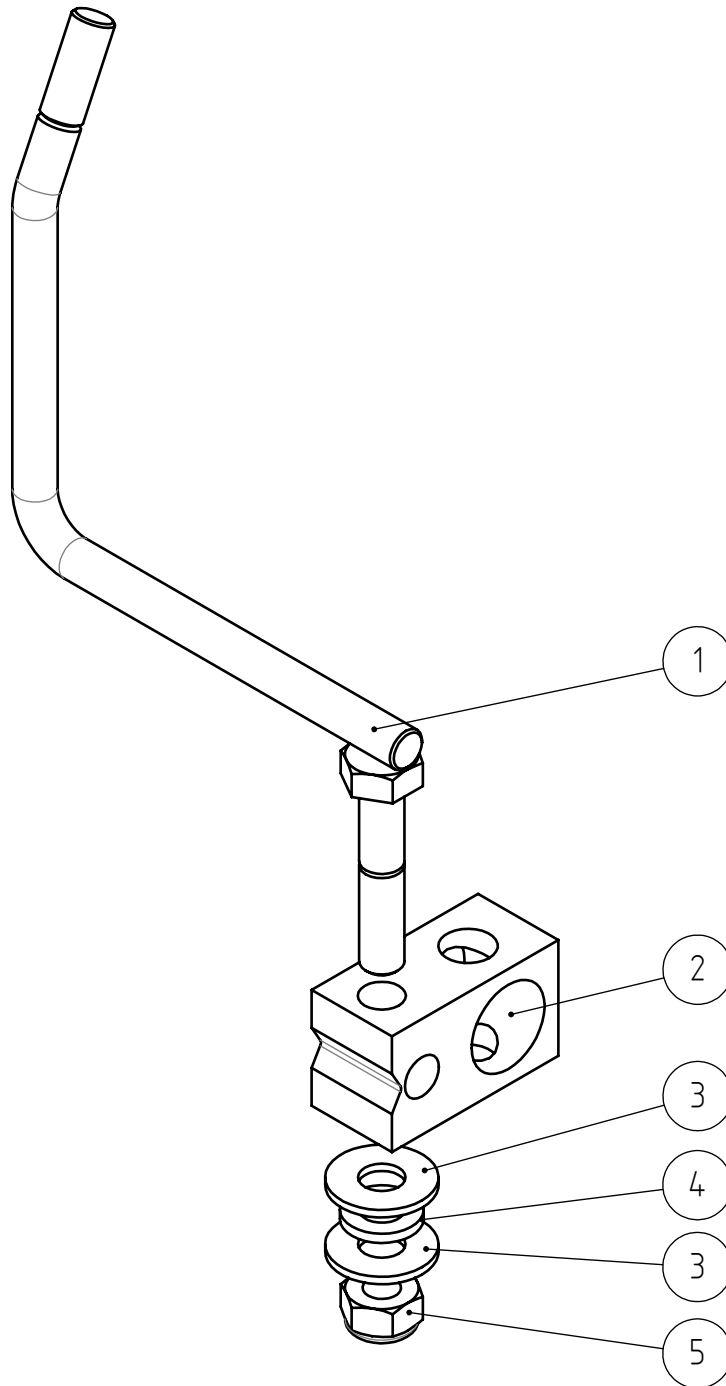
22.8.2023

A435563 JOYSTICK ASSEMBLY

REF	PART NO	QTY	DESCRIPTION	NOTES	PAGE
1	74676	1	HEXAGONAL NUT M 14*1,5 DIN 934 ZN		-
2	74327	1	RUBBER COVER, CONTROL LEVER, F12/56*40		-
3	A410614	1	BRACKET ROD, CONTROL LEVER		-
4	64641	1	JOYSTICK HANDLE 8-FUNCTION		-
5	A426057	1	CONNECTOR PLUG DT06-6S DEUTSCH		-
-	65406	1	PUSHBUTTON, RED, AUX. HYDR. JOYSTICK		-
-	65407	1	PUSHBUTTON, BLUE, JOYSTICK, AUX. HYDR.		-
-	65408	1	ROCKER SWITCH, BLACK, JOYSTICK		-

22.8.2023

A436748 CONTROL LEVER AUX. HYDR. FRONT ASSEMBLY



22.8.2023

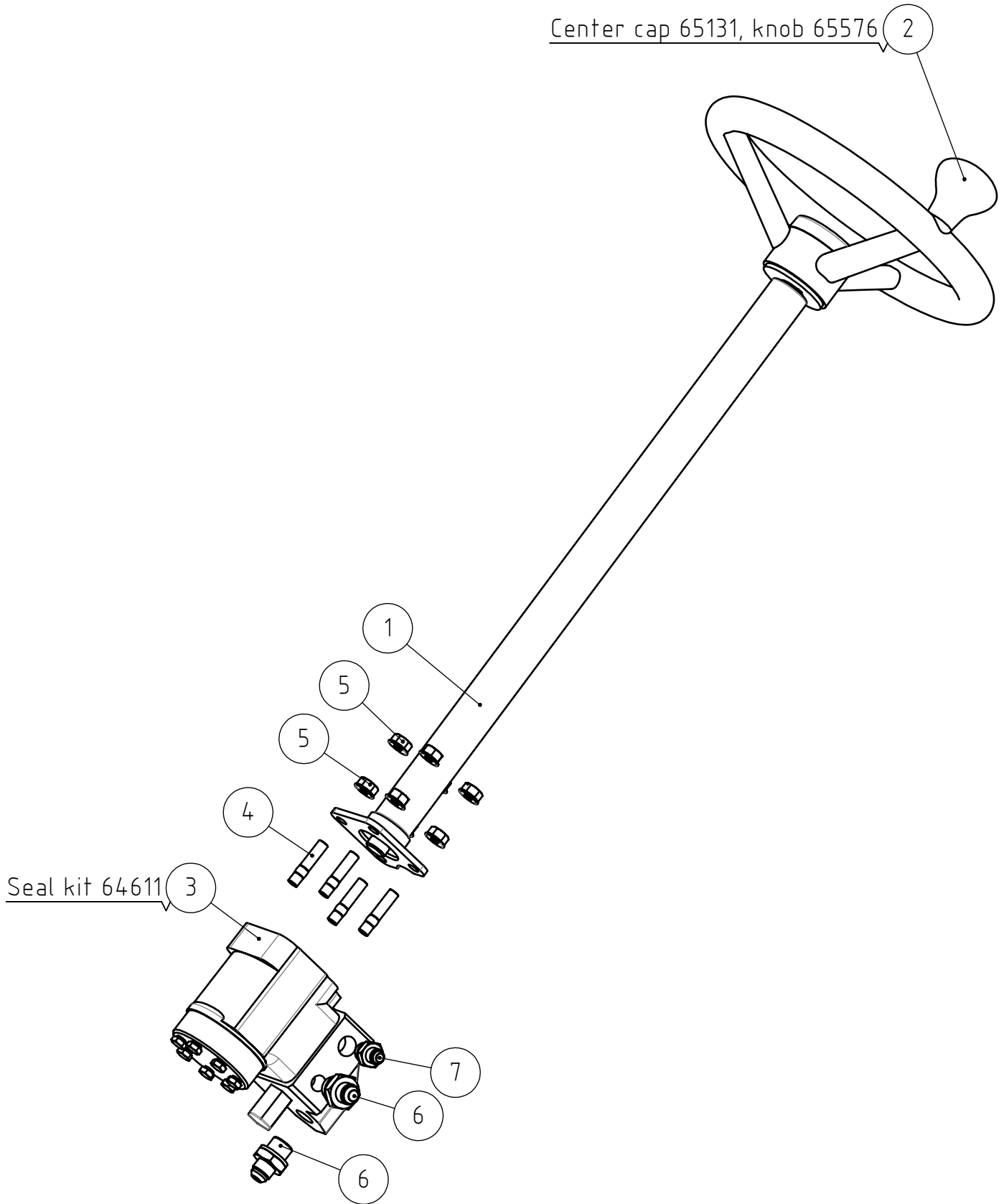
A436748 CONTROL LEVER AUX. HYDR. FRONT ASSEMBLY

REF	PART NO	QTY	DESCRIPTION	NOTES	PAGE
1	A431076	1	CONTROL LEVER AUXILIARY HYDRAULICS FRONT		-
2	A431074	1	MOUNTING PIECE, CROSS, CONTROL LEVERS		-
3	74525	2	WASHER M8 8,4*20*1,25 ZN		-
4	73962	1	WASHER M 8 DIN 127		-
5	72320	1	HEXAGONAL NUT M8 NYLOC DIN 985		-

22.8.2023

A435446 STEERING COLUMN ASSEMBLY

Center cap 65131, knob 65576 2



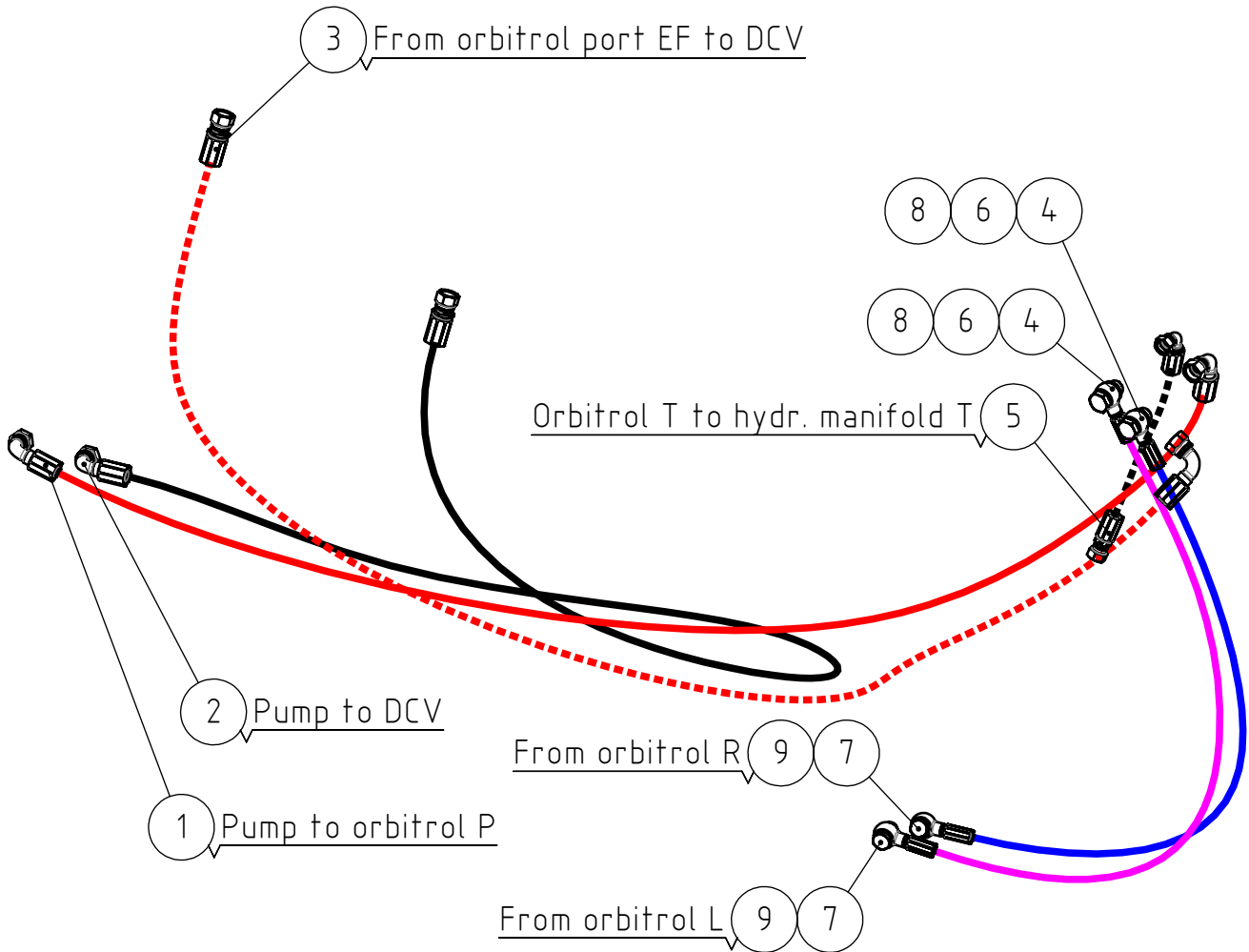
22.8.2023

A435446 STEERING COLUMN ASSEMBLY

REF	PART NO	QTY	DESCRIPTION	NOTES	PAGE
1	66233	1	STEERING WHEEL ROD M+S KK650 -I		-
2	65076	1	STEERING WHEEL "AVANT" F320		-
2.1	65131	1	CENTER CAP, STEERING WHEEL		-
2.2	65576	1	KNOB, STEERING WHEEL, COBO 0034.1130		-
3	64178	1	CONTROL BLOCK M+S HKUS 80/5-140+PRDD80/7		-
3.1	A430819	1	HEXAGONAL HEAD SCREW M10*1*45 ORBITROL		-
3.2	64611	1	SEAL KIT 41 5137 0130 M+S HKUS ORBITROL		-
3.3	64612	1	SEAL KIT, PRIORITY VALVE / ORBITROL M+S		-
4	74587	4	STUD M10* 35 DIN 939		-
5	74783	8	HEXAGONAL NUT M10 WITH FLANGE		-
6	64058	2	BASIC FITTING F40XS12-1/2		-
7	64041	1	BASIC FITTING F40XS10-3/8 /8		-

22.8.2023

A436850 HYDR. HOSES ORBITROL 800 SERIES



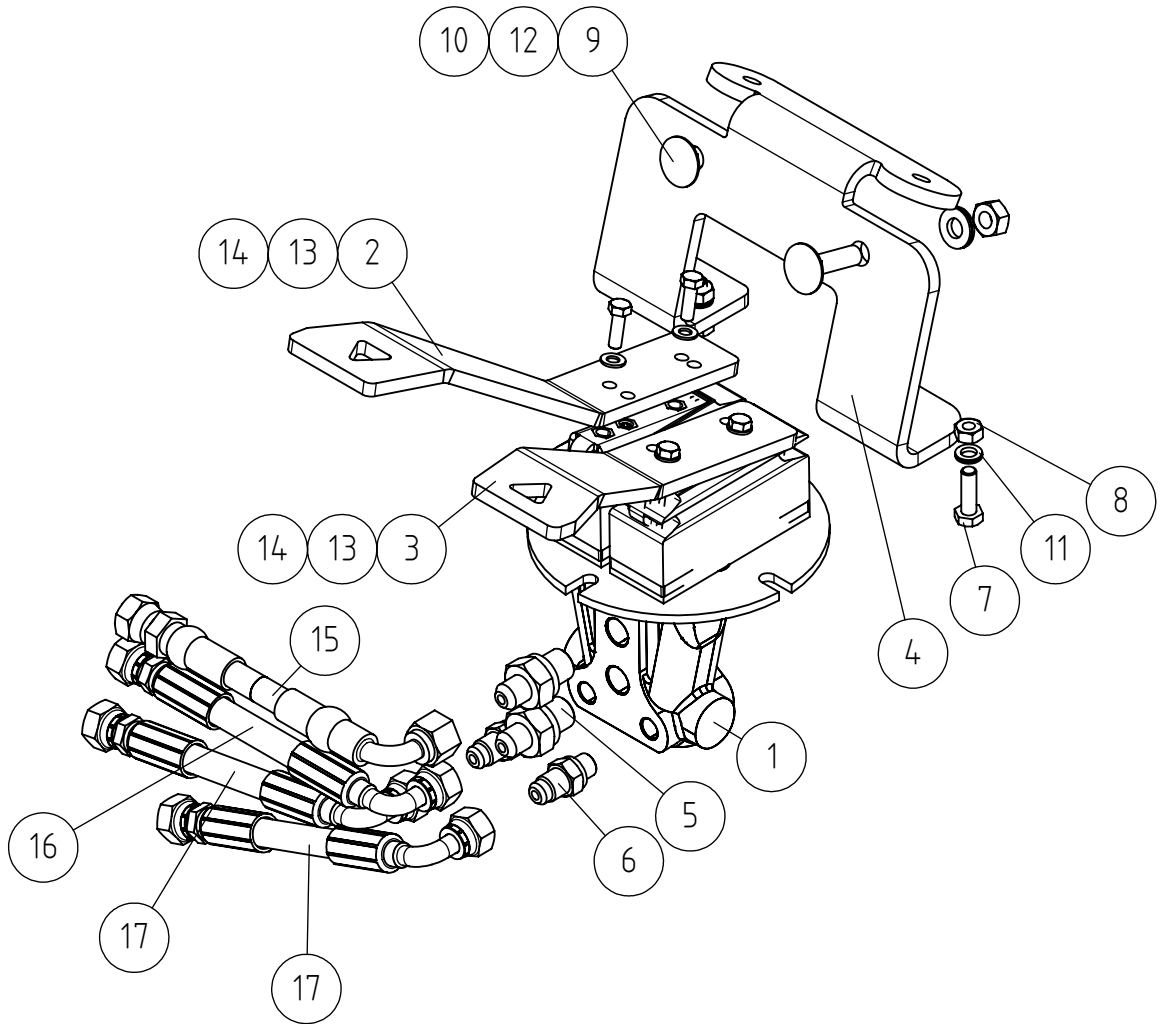
22.8.2023

A436850 HYDR. HOSES ORBITROL 800 SERIES

REF	PART NO	QTY	DESCRIPTION	NOTES	PAGE
1	A434549	1	HYDR. HOSE L=1450		-
2	A434548	1	HYDR. HOSE L=1780		-
3	A434550	1	HYDR. HOSE L=1900		-
4	A434560	2	HYDR. HOSE L=1450		-
5	A434556	1	HYDR. HOSE L=500		-
6	73954	2	BANJO BOLT R3/8" L=29		-
7	64557	2	BANJO BOLT R 1/4"		-
8	73379	4	USIT-COMPRESSION 3/8"		-
9	73757	4	USIT COMPRESSION R1/4"		-

22.8.2023

A438996 DRIVE PEDAL ASSEMBLY



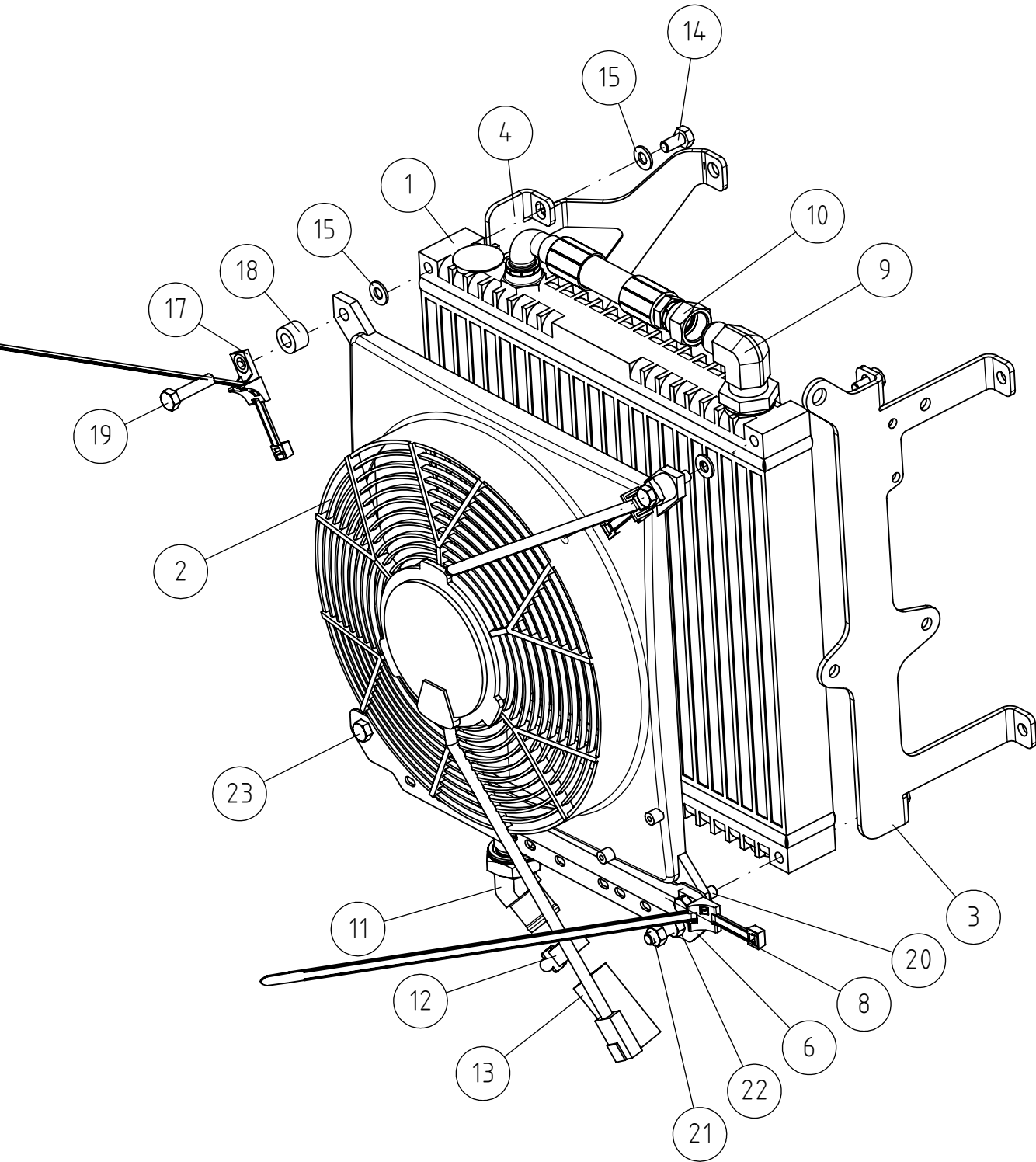
22.8.2023

A438996 DRIVE PEDAL ASSEMBLY

REF	PART NO	QTY	DESCRIPTION	NOTES	PAGE
1	A432973	1	HYDRAULIC PEDALS 2-16BAR MICROSWITCH 5A		-
1.1	A451022	2	PROTECTIVE RUBBER DRIVE PEDALS		-
1.2	A445449	2	MICROSWITCH 5A WITH WIRE		-
2	A47550	1	DRIVE PEDAL, LEFT		-
3	A47551	1	DRIVE PEDAL, RIGHT		-
4	A426708	1	MOUNTING BRACKET DRIVE PEDALS		-
5	64678	2	BASIC FITTING F40XS6-1/4"		-
6	64793	2	BASIC FITTING F40XS6-1/8"		-
7	72118	2	HEXAGONAL SCREW M6*20 DIN 933		-
8	72317	2	HEXAGONAL NUT M6 DIN 934		-
9	74874	2	CARRIAGE BOLT M8*30 DIN603		-
10	72319	2	HEXAGONAL NUT M8 DIN 934		-
11	74530	2	WASHER NORDLOCK NL6		-
12	63944	2	WASHER, PAIR, NORD-LOCK M8		-
13	72110	4	HEX. SCREW M5*16 DIN 933		-
14	74448	4	WASHER M5 A5,3 DIN 125 ZN		-
15	A47643	1	HYDR. HOSE L=430 TYPE 087-3/16" JIC6-		-
16	A434547	1	HYDR. HOSE L=1200		-
17	A434546	2	HYDR. HOSE L=1500		-

22.8.2023

A429318 HYDRAULIC OIL COOLER ASSEMBLY



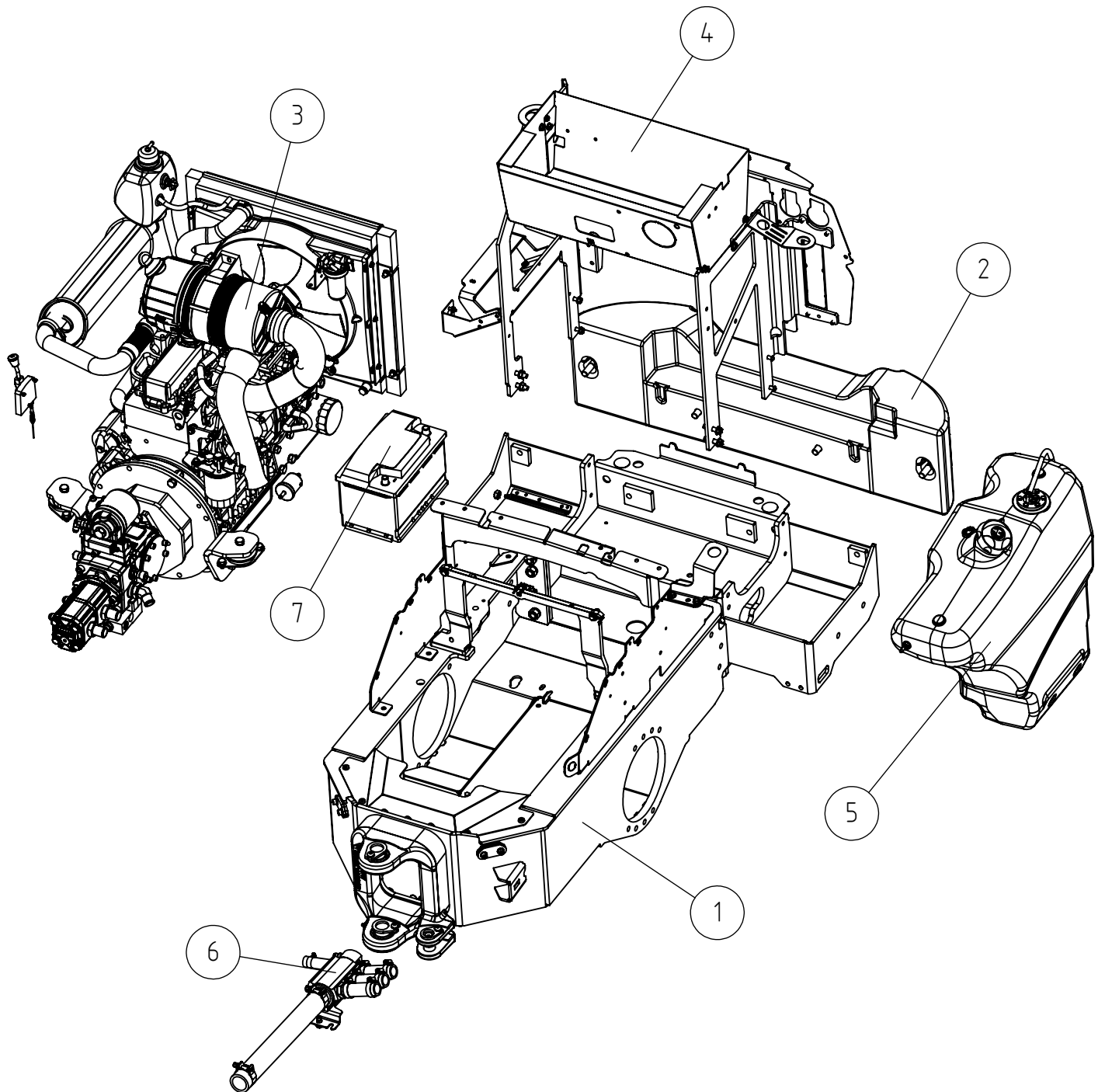
22.8.2023

A429318 HYDRAULIC OIL COOLER ASSEMBLY

REF	PART NO	QTY	DESCRIPTION	NOTES	PAGE
1	64934	1	OIL COOLER CELL ASA 350*350*45		-
2	65568	1	FAN, HYDRAULIC OIL COOLER COMEX F48-		-
3	A429316	1	MOUNTING BRACKET HYDRAULIC OIL COOLER		-
4	A429324	1	BRACKET HYDRAULIC OIL COOLER		-
5	A412927	2	RELAY MOUNTING RAIL		-
6	A440802	1	RELAY MOUNTING RAIL FOR MINI AND MICRO		-
7	A413994	1	DECAL, RELAYS		-
8	A440983	1	DECAL, RELAY MOUNTING RAIL		-
9	64693	1	ELBOW FITTING 90 DEGR. C40XS16-3/4"		-
10	A436811	1	HYDR. HOSE L=600		-
11	66362	1	HOSE BARB 45° R3/4"UK - 25MM		-
12	73530	1	HOSE CLAMP 22-32 MM		-
13	A438755	1	INLET HOSE L=730 D=20		-
14	73039	4	HEXAGONAL SCREW M 8*16 DIN 933 ZN		-
15	73122	9	WASHER M8 A8,4 DIN 125 ZN		-
16	75172	1	SPEED NUT M5 FOR 0.5-4.0 MM PLATE		-
17	A442641	3	CABLE TIE 7,6*390 M8 BLACK		-
18	A413262	2	BUSHING F19/F10, FLOOR RAISING, 700 SERI		-
19	73443	2	HEXAGONAL SCREW M8*35		-
20	72132	1	HEXAGONAL SCREW M 8*25 DIN 933 ZN		-
21	72133	1	HEXAGONAL SCREW M8*30 DIN 933		-
22	72319	2	HEXAGONAL NUT M8 DIN 934		-
23	72130	1	HEXAGONAL SCREW M8*20		-

22.8.2023

A444530 REAR FRAME ASSEMBLY 850 SER2 KUBOTA



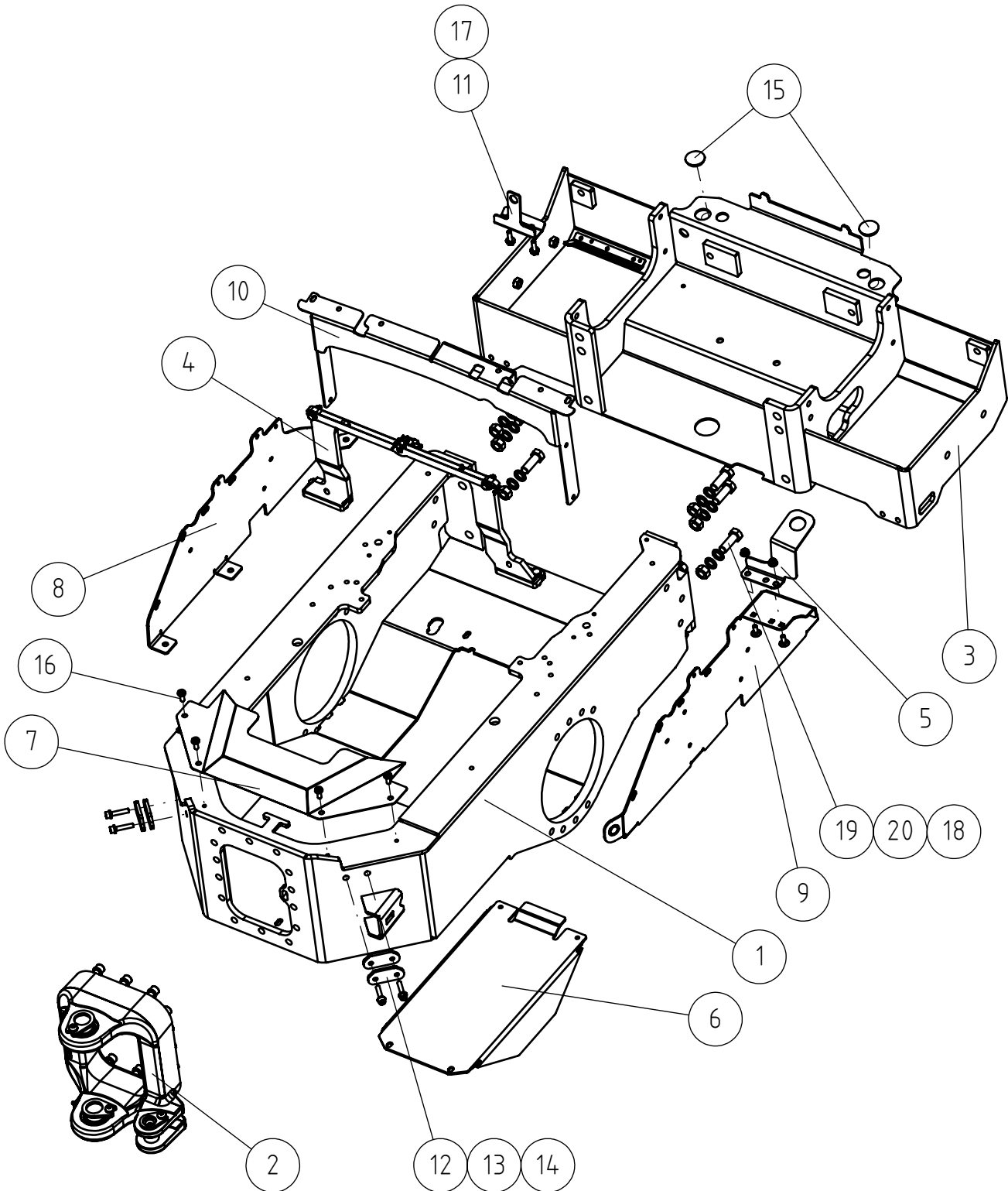
22.8.2023

A444530 REAR FRAME ASSEMBLY 850 SER2 KUBOTA

REF	PART NO	QTY	DESCRIPTION	NOTES	PAGE
1	A442111	1	REAR CHASSIS ASSEMBLY 800 SERIES TIER 4		42
2	A429342	1	REAR WEIGHT/BUMPER 275 KG ASSEMBLY		48
3	A441285	1	ENGINE V2403 ASSEMBLY 745 / 750		50
4	A439111	1	ENGINE BAY KUBOTA STG5 T4F 700-800		64
5	A436129	1	FUEL TANK ASSEMBLY 66L		66
6	A436989	1	HYDRAULIC MANIFOLD & HOSES 800 SERIES		68
7	A438875	1	BATTERY 12V 77AH, 760A		-

22.8.2023

A442111 REAR CHASSIS ASSEMBLY 800 SERIES TIER 4



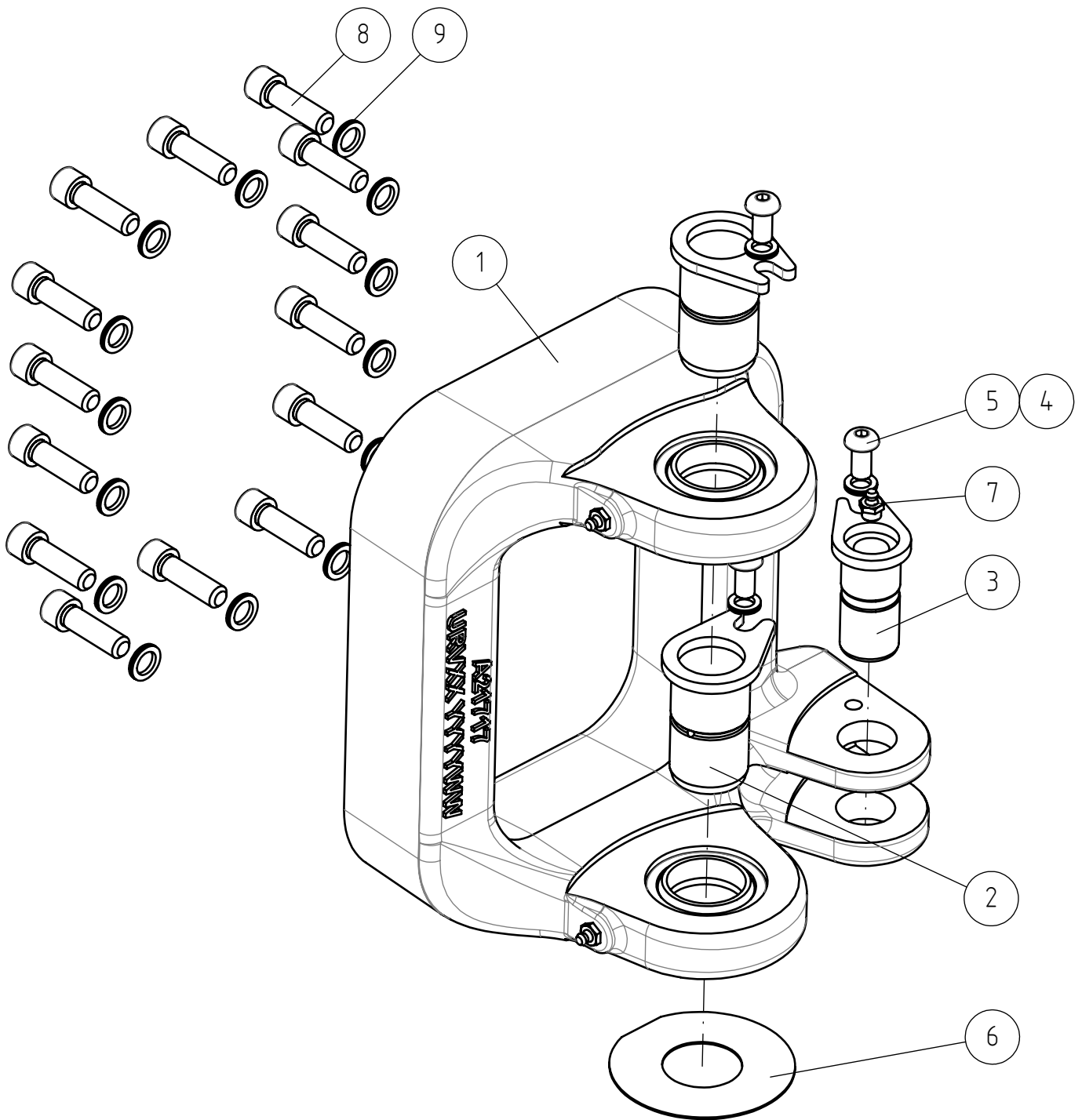
22.8.2023

A442111 REAR CHASSIS ASSEMBLY 800 SERIES TIER 4

REF	PART NO	QTY	DESCRIPTION	NOTES	PAGE
1	A21720	1	REAR FRAME, FRONT PART		-
2	A37449	1	ARTICULATION JOINT ASSEMBL REAR FRAME		44
3	A446037	1	REAR FRAME, MIDDLE PART 700/800 SERIES		-
4	A415984	1	LOAD SENSOR SYSTEM, COMPLETE ASSEMBLY		46
5	A437442	1	BRACKET FUEL TANK STAGE 5 700-800 SER		-
6	A449549	1	SERVICE HATCH 800 SERIES		-
7	A431001	1	PROTECTIVE PLATE REAR CHASSIS 800		-
8	A437435	1	SIDE PLATE RIGHT REAR FRAME 800 STAGE 5		-
9	A437437	1	SIDE PLATE LEFT REAR FRAME 800 STAGE 5		-
10	A437460	1	BRACKET COVER PLATES REAR STG5 700-800		-
11	A437653	1	BRACKET, BATTERY 700-800 SER		-
12	A442049	4	STOP PLATE STEERING		-
13	74918	4	HEXAGONAL HEAD SCREW M8*40 DIN 912		-
14	63944	4	WASHER, PAIR, NORD-LOCK M8		-
15	65944	2	RUBBER PLUG F40/F32-12 S=5		-
16	A435496	4	THREAD-FORMING SCREW M8*20 DIN 7500C		-
17	A429202	2	HEXAGONAL SERRATED SCREW M8*25 WITH FLAN		-
18	A439252	6	HEXAGONAL NUT M16 10.9 DIN 934		-
19	A439220	6	HEXAGONAL SCREW M16*45 10.9 DIN 933		-
20	74533	12	WASHER, PAIR, M16 NL16 NORDLOCK		-
21	74836	2	CARRIAGE BOLT M8*20		-
22	74782	2	HEXAGONAL NUT M8 WITH FLANGE		-

22.8.2023

A37449 ARTICULATION JOINT ASSEMBL REAR FRAME



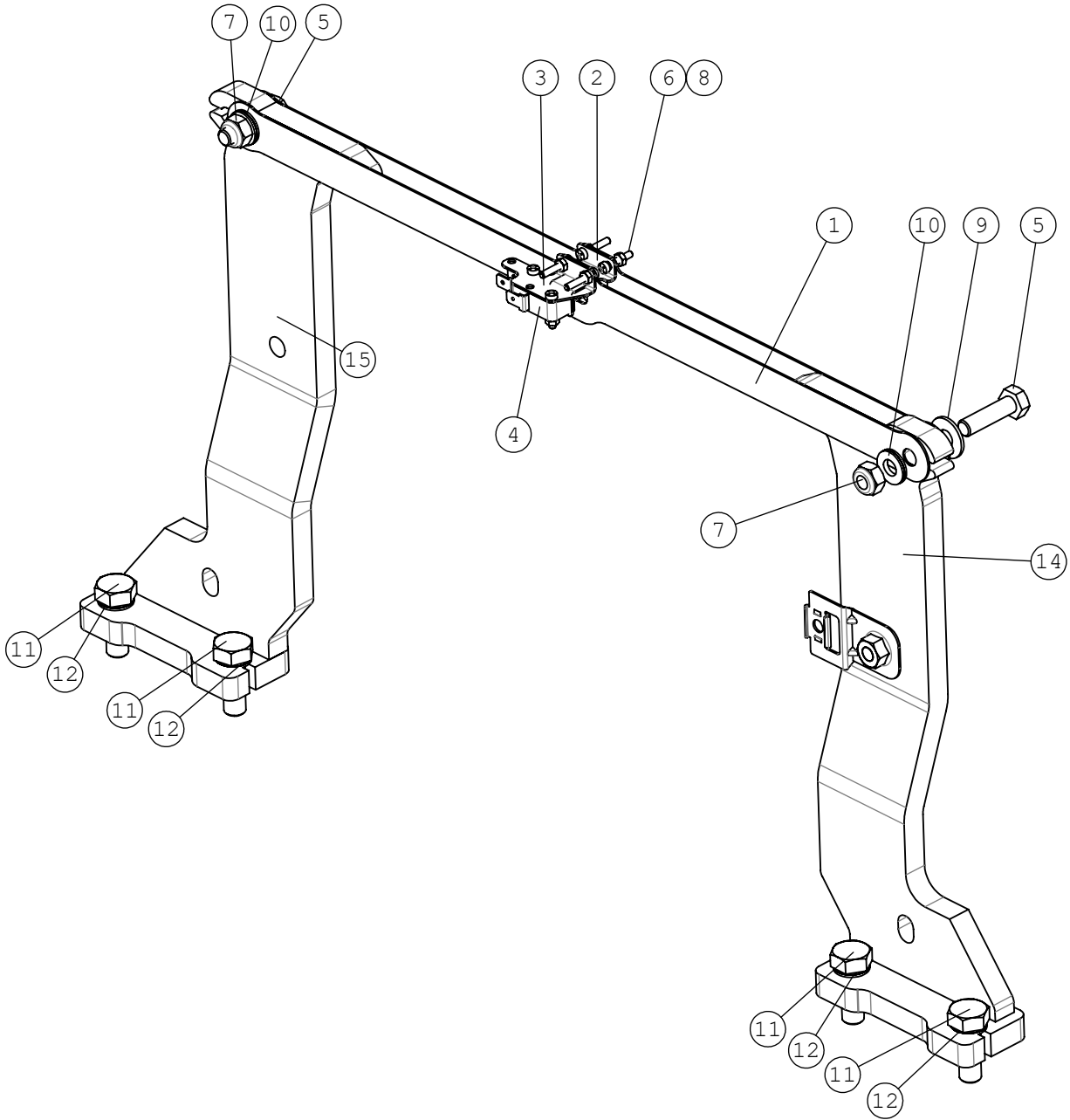
22.8.2023

A37449 ARTICULATION JOINT ASSEMBL REAR FRAME

REF	PART NO	QTY	DESCRIPTION	NOTES	PAGE
1	A444363	1	ARTICULATION JOINT CAST STEEL, ASSEMBLY		-
1.1	64911	2	ARTICUL. BEARING GE40ES F62/40-28(22)		-
2	72798	1	GREASE NIPPLE R 1/8" STRAIGHT		-
3	A47043	2	PIVOT PIN F40-63		-
4	A47655	1	PIVOT PIN F30-60		-
5	74531	3	SPACER NORDLOCK M10, PAIR		-
6	A437915	3	HEXAGONAL HEAD SCREW M10*20 10.9 2		-
7	A48263	1	SHIM RING S=1 MM, ARTICULATION JOINT		-
8	A437018	14	HEXAGONAL HEAD SCREW M12*40 12.9		-
9	74532	14	WASHER NORDLOCK NL12		-

22.8.2023

A415984 LOAD SENSOR SYSTEM, COMPLETE ASSEMBLY



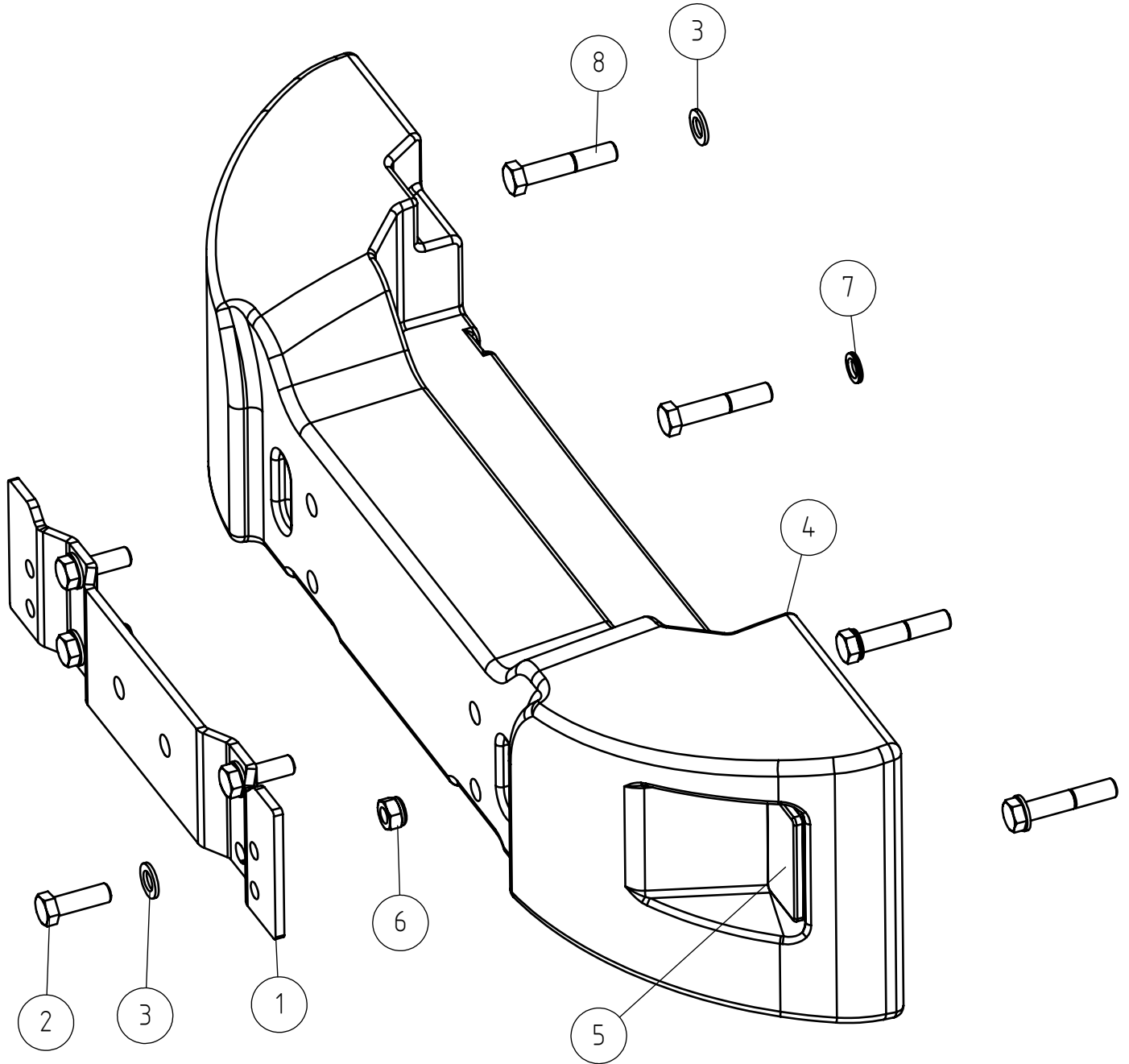
22.8.2023

A415984 LOAD SENSOR SYSTEM, COMPLETE ASSEMBLY

REF	PART NO	QTY	DESCRIPTION	NOTES	PAGE
1	A47912	2	BAND		-
2	A47908	1	CLAW		-
3	A47909	1	BRACKET, MICROSWITCH		-
4	64504	1	MICROSWITCH		-
5	72133	2	HEXAGONAL SCREW M8*30 DIN 933		-
6	74576	6	PAN HEAD MACHINE SCREW M3*16		-
7	72320	2	HEXAGONAL NUT M8 NYLOC DIN 985		-
8	74535	6	HEXAGONAL NUT M3		-
9	74525	2	WASHER M8 8,4*20*1,25 ZN		-
10	63944	2	WASHER, PAIR, NORD-LOCK M8		-
11	72151	4	HEXAGONAL SCREW M10*30 DIN 933 ZN		-
12	74531	4	SPACER NORDLOCK M10, PAIR		-
13	A417623	2	MOUNTING PLATE LOAD SENSOR SYSTEM		-
14	A417622	1	BRACKET, LEFT, LOAD SENSOR SYSTEM		-
15	A417621	1	BRACKET, RIGHT, LOAD SENSOR SYSTEM		-
16	A451560	1	BRACKET CONNECTOR PLUG		-
17	A450046	1	HEXAGONAL NUT M8 WITH FLANGE		-
18	A429201	1	HEXAGONAL SERRATED SCREW M8*20 WITH FLAN		-

22.8.2023

A429342 REAR WEIGHT/BUMPER 275 KG ASSEMBLY



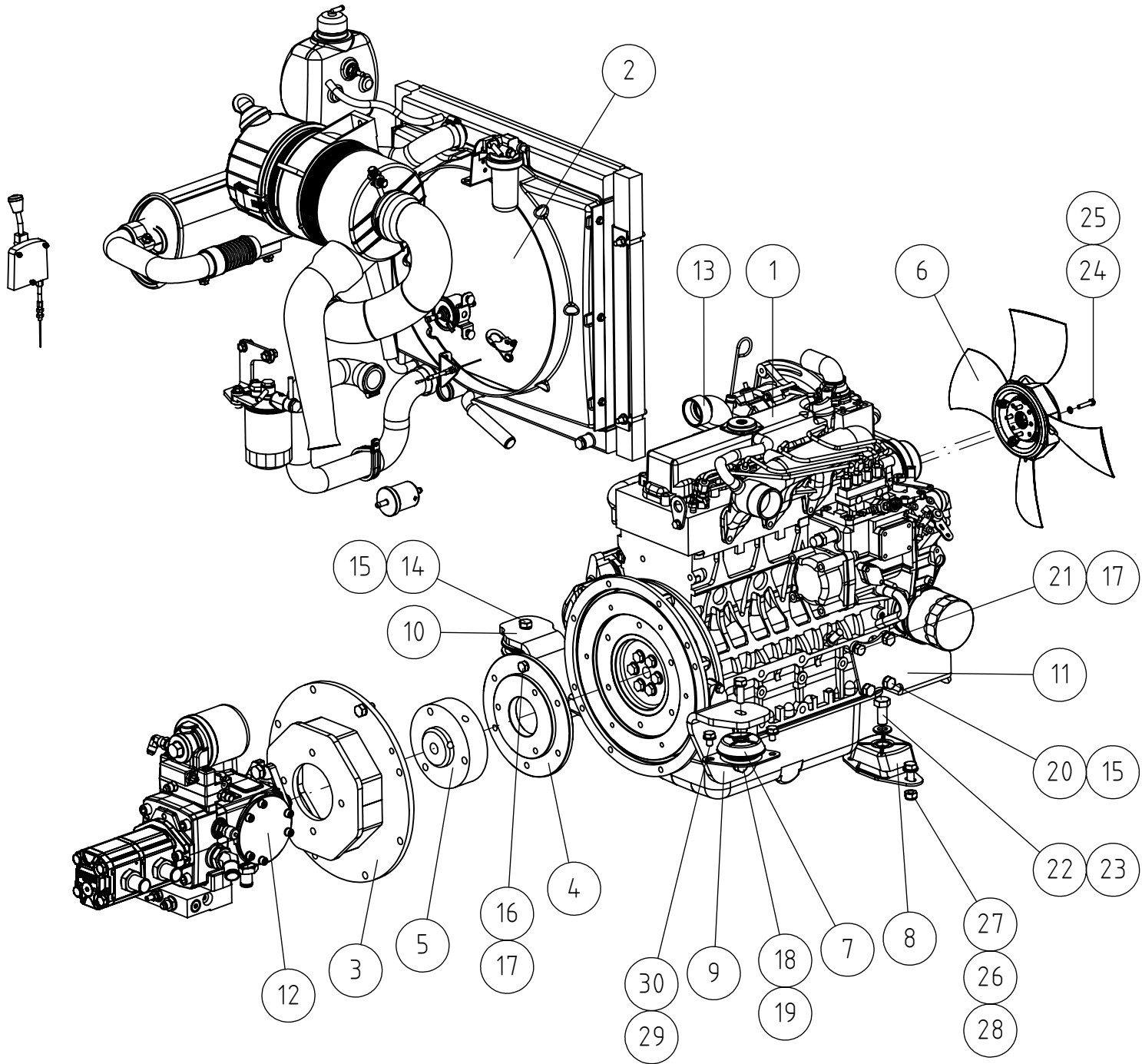
22.8.2023

A429342 REAR WEIGHT/BUMPER 275 KG ASSEMBLY

REF	PART NO	QTY	DESCRIPTION	NOTES	PAGE
1	A419683	1	MOUNTING PLATE, BACK WEIGHT 29 KG		-
2	72193	4	HEXAGONAL SCREW M16* 50 DIN 933		-
3	73461	6	WASHER M16 18 DIN 126 ZN		-
4	A429341	1	REAR WEIGHT/BUMPER 275 KG 800 SERIES		-
5	A429366	2	REFLECTOR, RED 105X55X9MM		-
6	72330	4	HEXAGONAL NUT M16 NYLOC DIN 985		-
7	74533	2	WASHER, PAIR, M16 NL16 NORDLOCK		-
8	75105	4	HEXAGONAL SCREW M16*85 DIN931		-

22.8.2023

A441285 ENGINE V2403 ASSEMBLY 745 / 750



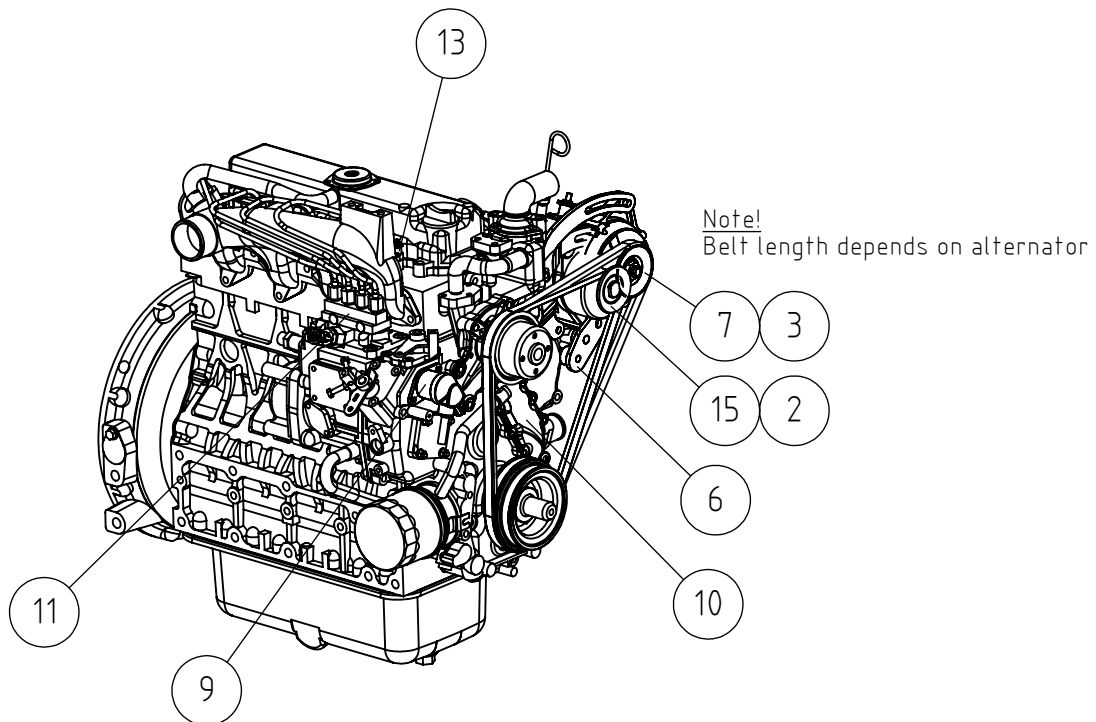
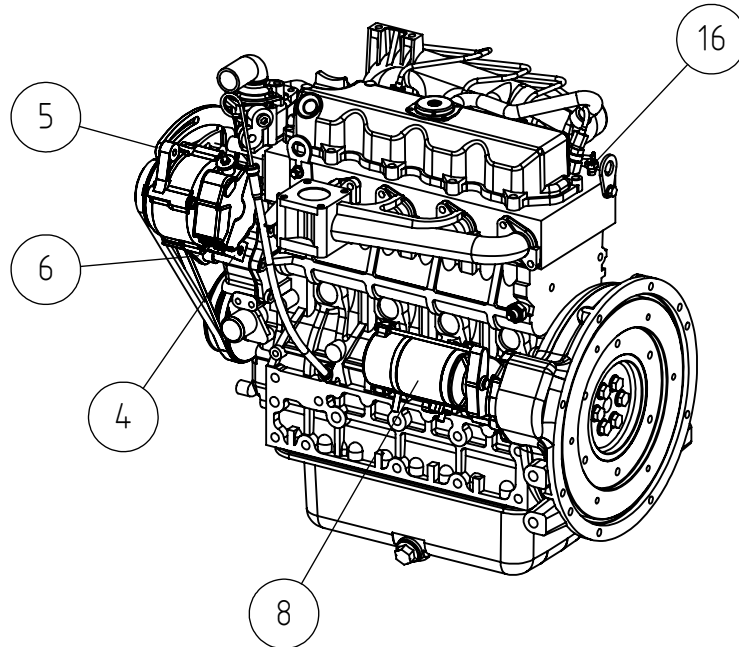
22.8.2023

A441285 ENGINE V2403 ASSEMBLY 745 / 750

REF	PART NO	QTY	DESCRIPTION	NOTES	PAGE
1	65206	1	ENGINE V2403-M-E3B-AVN-1 *EU EXPORT ONLY		52
1.1	A444459	1	TEMPERATURE SWITCH 115° C KUBOTA		-
2	A441275	1	ACCESSORIES ENGINE KOHLER KUBOTA V2403		54
3	A49842	1	FLYWHEEL HOUSING		-
4	A410076	1	ADAPTER CENTA 16 / 700 SERIES		-
5	65182	1	COUPLING CENTAFLEX A016-1		-
6	66451	1	FAN F390 4 BLADE		-
7	66381	2	ENGINE MOUNT RUBBER 60SH M12 AMC BRB		-
8	66512	1	ANTI VIBRATION MOUNT M16 F13/30-F13/22		-
9	A421535	1	MOUNTING BRACKET, ENGINE, LEFT 745/750		-
10	A421549	1	MOUNTING BRACKET ENGINE,RIGHT T 745/750		-
11	A426067	1	MOUNTING BRACKET, REAR, ENGINE		-
12	A429273	1	HYDRAULIC PUMPS ASSEMBLY 745/750 OPTIDRI		62
13	A410183	1	ADAPTER 90 DEGREES		-
14	73042	2	HEX. SCREW M12*35 DIN 933 ZN		-
15	74532	17	WASHER NORDLOCK NL12		-
16	73936	6	HEXAGONAL SCREW M10*1,25-25		-
17	74531	7	SPACER NORDLOCK M10, PAIR		-
18	74800	4	HEXAGONAL SCREW M14*1,5 -30 DIN 961		-
19	74690	4	WASHER NORDLOCK M14 NL14		-
20	73935	15	HEXAGONAL SCREW M12*1,25 -25 DIN 961		-
21	74789	1	HEXAGONAL SCREW M10*1,25-20		-
22	74799	1	HEXAGONAL SCREW M16*35 DIN 933		-
23	75103	1	SPACER NORDLOCK M16 NL16SP, PAIR		-
24	73199	4	HEXAGONAL SCREW M6*30 DIN 933		-
25	74530	4	WASHER NORDLOCK NL6		-
26	72167	2	HEXAGONAL SCREW M12*30 DIN 933		-
27	72324	2	HEXAGONAL NUT M 12 NYLOC DIN 985		-
28	A430999	2	WASHER, PAIR, M12 NORDLOCK		-
29	75102	4	SPACER NORDLOCK M10 NL10SP, PAIR		-
30	72147	4	HEXAGONAL SCREW M 10*16 DIN 933		-

22.8.2023

65206 ENGINE V2403-M-E3B-AVN-1 *EU EXPORT ONLY

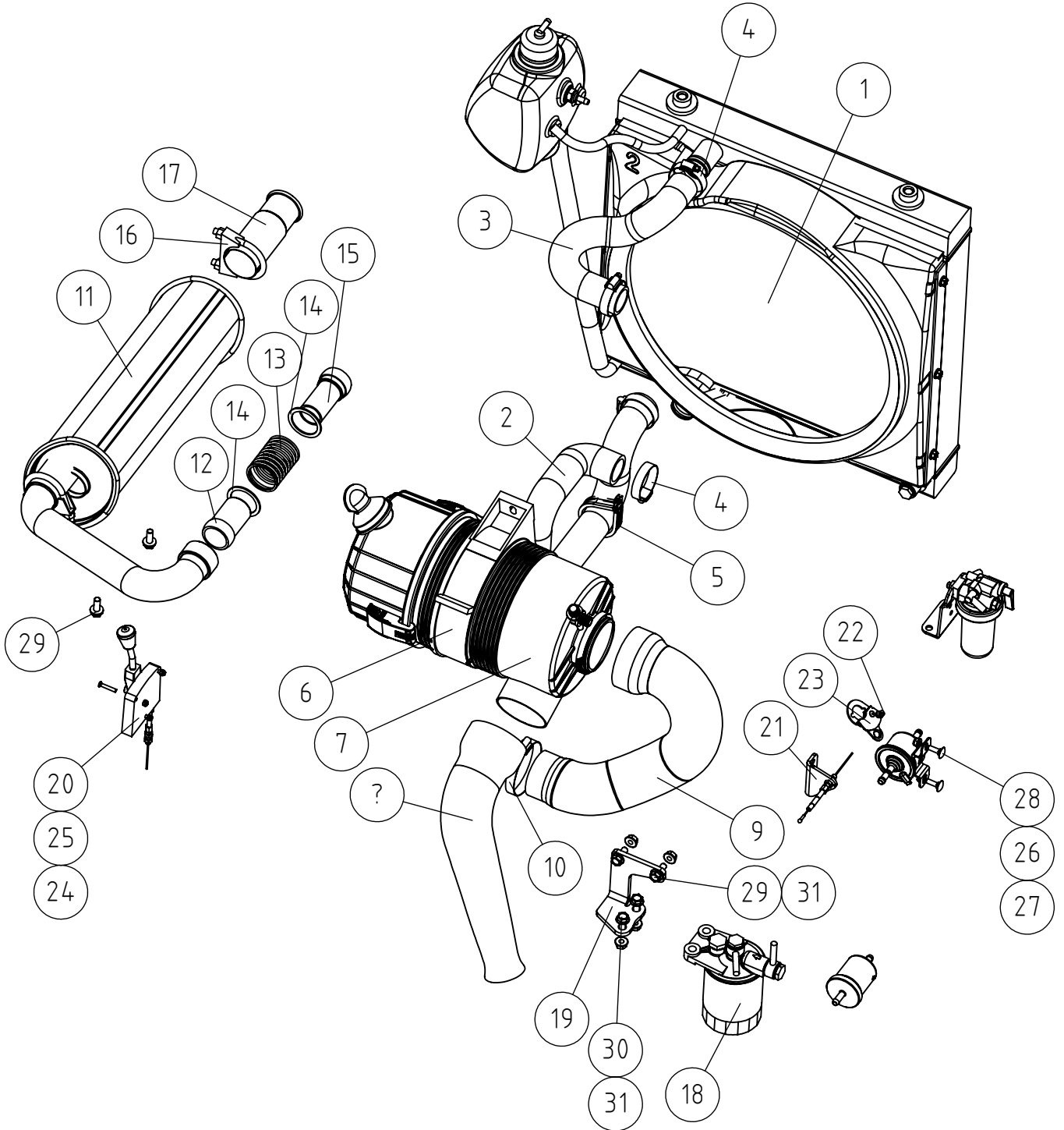


22.8.2023

65206 ENGINE V2403-M-E3B-AVN-1 *EU EXPORT ONLY

REF	PART NO	QTY	DESCRIPTION	NOTES	PAGE
1	65206	1	ENGINE V2403-M-E3B-AVN-1 *EU EXPORT ONLY		52
2	A429585	1	FAN BELT		-
3	A451542	1	V-BELT L=1067 (42") KUBOTA V2403		-
4	A424915	1	MOUNTING BRACKET FRONT LOWER ALTERNATOR		-
5	A424916	1	ADJUSTMENT BRACKET ALTERNATOR KUBOTA		-
6	A424917	1	MOUNTING BRACKET REAR LOWER ALTERNATOR		-
7	65535	1	ALTERNATOR KUBOTA 70A		-
8	A429582	1	STARTER MOTOR KUBOTA V2403		-
9	A429583	1	STOP SOLENOID		-
10	A429584	1	WATER PUMP KUBOTA V2403		-
11	A429598	1	INJECTION PUMP KUBOTA V2403		-
12	A429622	1	THERMOSTAT KUBOTA V2403		-
13	A429857	1	GLOW PLUG KUBOTA V2403		-
14	A432254	1	GASKET KIT ENGINE LOWER PART KUBOTA		-
15	65145	1	ALTERNATOR KUBOTA 40A		-
16	A444459	1	TEMPERATURE SWITCH 115° C KUBOTA		-
-	A444459	1	TEMPERATURE SWITCH 115° C KUBOTA		-

A441275 ACCESSORIES ENGINE KOHLER KUBOTA V2403



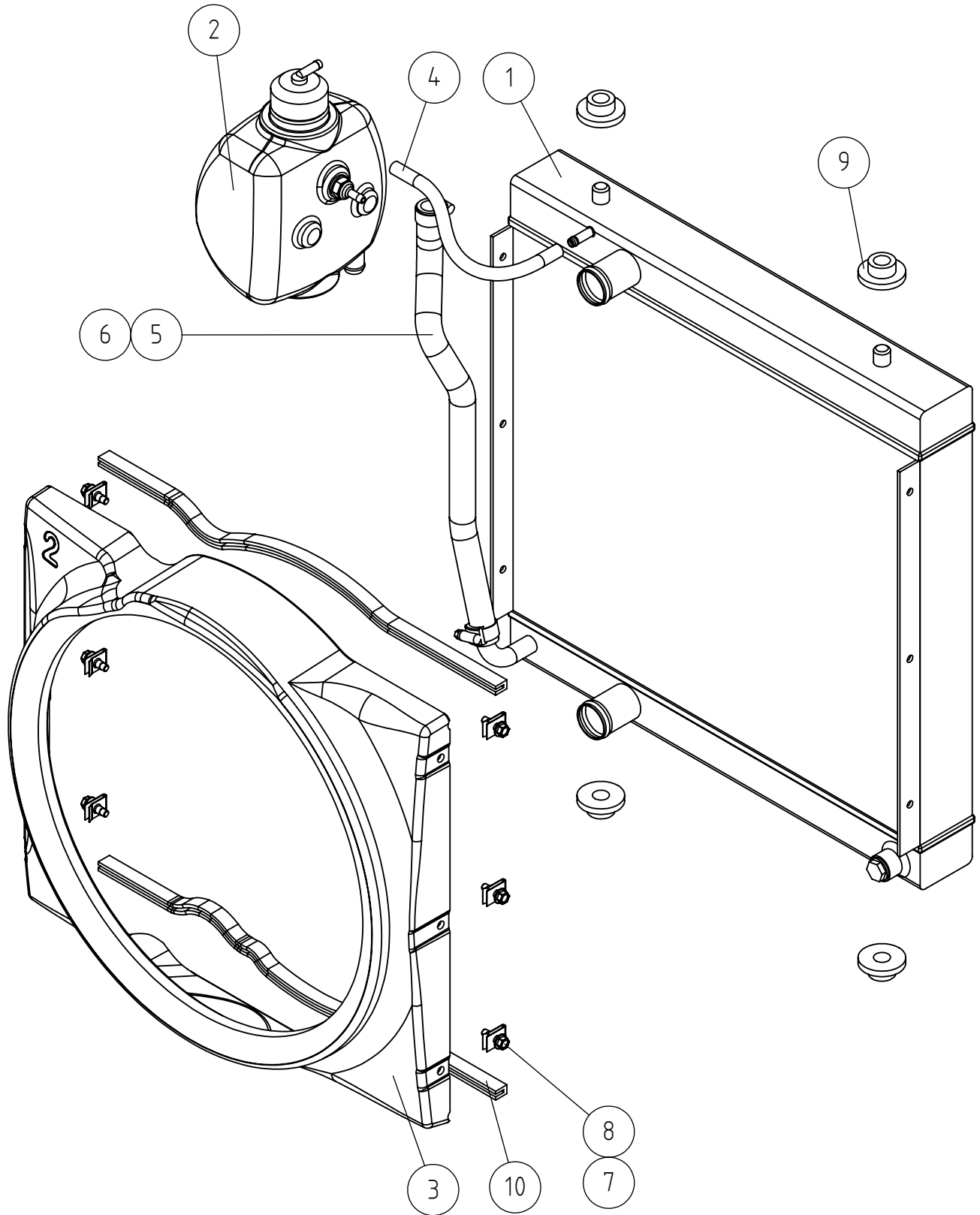
22.8.2023

A441275 ACCESSORIES ENGINE KOHLER KUBOTA V2403

REF	PART NO	QTY	DESCRIPTION	NOTES	PAGE
1	A451362	1	RADIATOR ASSEMBLY KUBOTA V1505/V2403 735		56
2	A416545	1	WATER HOSE, LOWER, AIR CONDITIONING 700		-
3	A419202	1	RADIATOR HOSE UPPER V2403 745/750		-
4	64338	4	HOSE CLAMP ABA 44-56 MM		-
5	74875	1	PIPE CLAMP F51 MM		-
6	65946	1	CLAMP, AIR FILTER 65941		-
7	65941	1	AIR FILTER COMPLETE AVANT 760I VIRGIS FR		-
7.1	66060	1	AIR FILTER CARTRIDGE, 760I VIRGIS CH07		-
7.2	66061	1	AIR FILTER, INNER SCREEN ELEMENT, 760I		-
8	A442202	1	AIR INTAKE SILENCER KUBOTA V2403 700/800		-
9	A419184	1	INLET HOSE 745/750		-
10	64339	1	HOSE CLAMP ABA 68-85 MM		-
11	A441523	1	EXHAUST MUFFLER + PIPE ASSEMBLY 745/750		58
12	A46004	1	EXHAUST PIPE, OUTER		-
13	A46005	1	SPRING 3*41*140 NT 8,5		-
14	A46002	2	RING		-
15	A46003	1	EXHAUST PIPE, INNER		-
16	74853	1	CLAMP, EXHAUST MUFFLER		-
17	65598	1	EXHAUST TRIM, MUFFLER, CHROME FINISH		-
18	A441676	1	FUEL SYSTEM ASSEMBLY WITH FILTER 700/800		60
19	A441663	1	BRACKET FUEL FILTER 700-800 SERIES		-
20	A420562	1	HAND THROTTLE WITH GAS WIRE 3000MM		-
20.1	A410290	1	THROTTLE WIRE 3000/3300 MM		-
21	A49818	1	BRACKET, THROTTLE WIRE		-
22	74415	1	SCREW NIPPLE 128.244 S&N 2.35.0000.208		-
23	A418425	1	THROTTLE LEVER 745/750		-
24	74582	3	CROSS-SLOT COUNTERSUNK HEAD SCREW M4*25		-
25	72313	3	HEXAGONAL NUT M4 DIN 985 NYLOC		-
26	71680	2	WASHER M6 DIN 125		-
27	72318	2	HEXAGONAL NUT M 6 DIN 985 NYLOC		-
28	74913	2	CARRIAGE BOLT M6*20 DIN603		-
29	A429201	4	HEXAGONAL SERRATED SCREW M8*20 WITH FLAN		-
30	A429203	2	HEXAGONAL SERRATED SCREW M8*30 WITH FLAN		-
31	74782	4	HEXAGONAL NUT M8 WITH FLANGE		-

22.8.2023

A451362 RADIATOR ASSEMBLY KUBOTA V1505/V2403 735



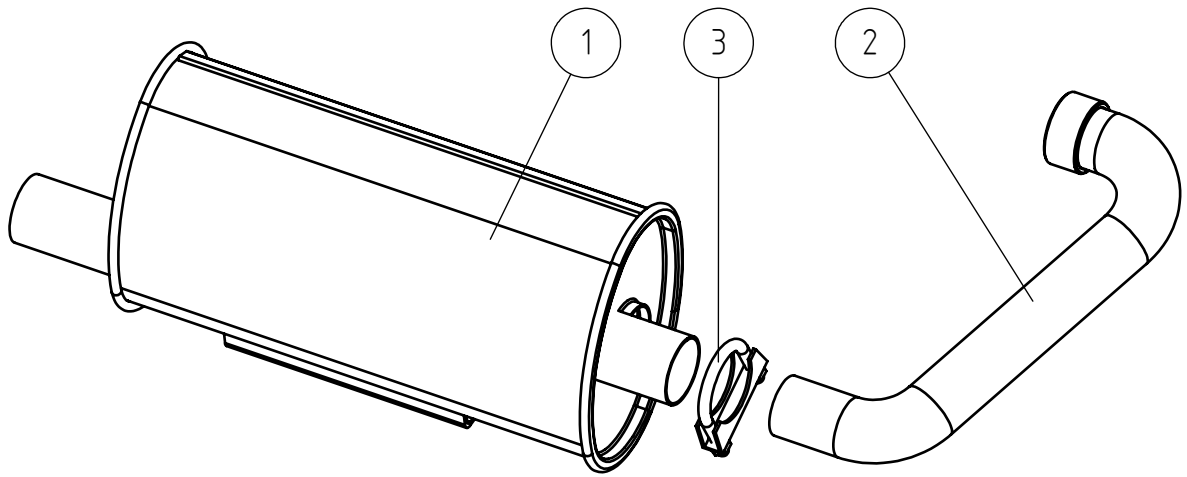
22.8.2023

A451362 RADIATOR ASSEMBLY KUBOTA V1505/V2403 735

REF	PART NO	QTY	DESCRIPTION	NOTES	PAGE
1	A443473	1	RADIATOR KUBOTA/KOHLER 635-800		-
2	A417223	1	OVERFLOW TANK WITH CAP 745-760I		-
2.1	66448	1	CAP EXPANSION TANK		-
3	A443060	1	WIND TUNNEL 635 640 735 745 750		-
4	A419237	1	RADIATOR HOSE L=250 700 SERIES		-
5	A450939	1	WATER HOSE OVERFLOW TANK 700/800		-
6	64337	2	HOSE CLAMP 19-28 MM ABA		-
7	74807	6	SPEED NUT M6, FOR 0.5-4.0 MM PLATE		-
8	A431349	6	HEXAGONAL SERRATED SCREW M6*20 W. FLANG		-
9	A420381	4	VIBRATION DAMPER RUBBER RADIATOR		-
10	A438764	1	EDGE STRIP WIND TUNNEL KOHLER KDI		-

22.8.2023

A441523 EXHAUST MUFFLER + PIPE ASSEMBLY 745/750



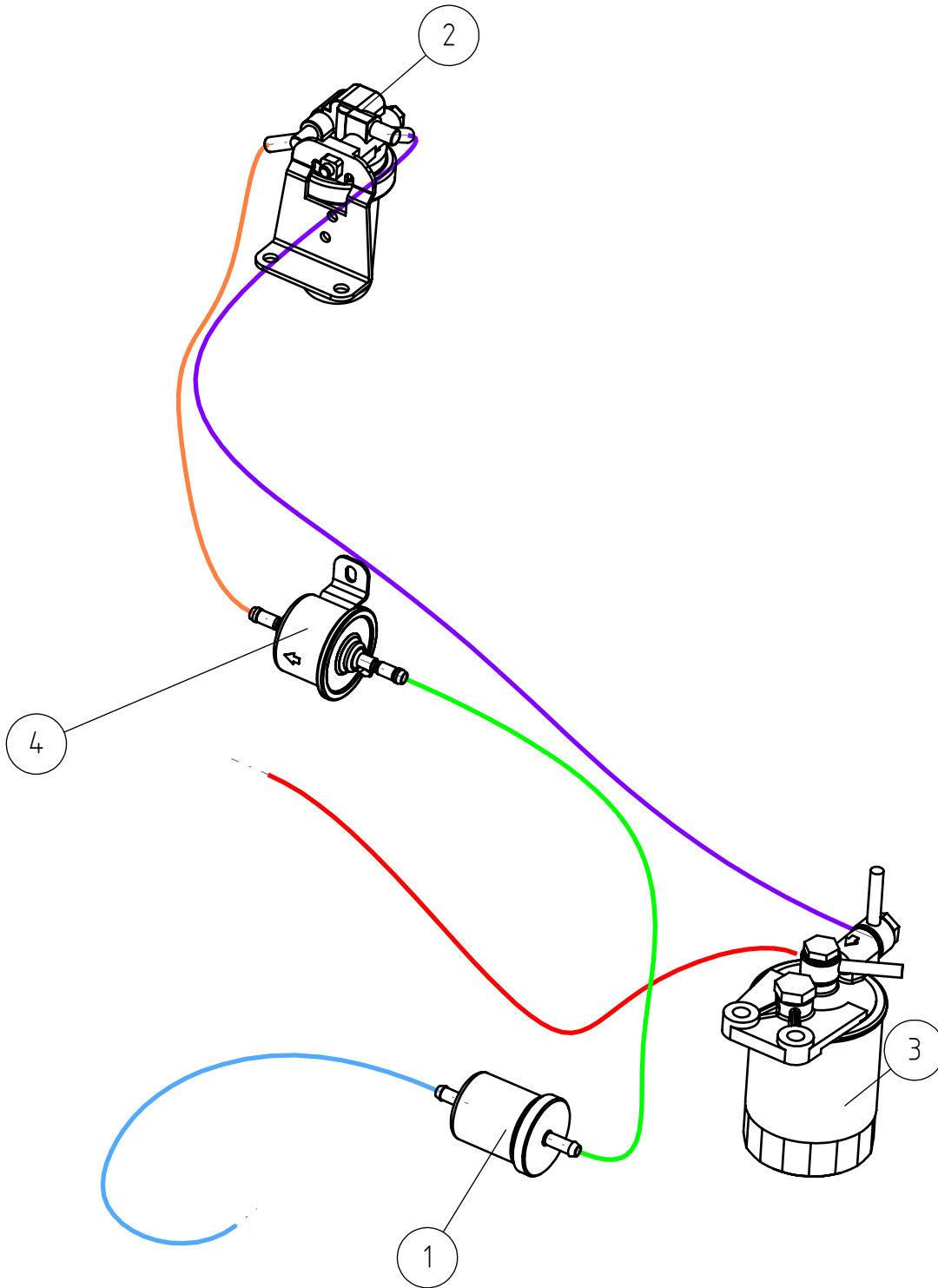
22.8.2023

A441523 EXHAUST MUFFLER + PIPE ASSEMBLY 745/750

REF	PART NO	QTY	DESCRIPTION	NOTES	PAGE
1	A439181	1	EXHAUST MUFFLER 735 745 750		-
2	A445814	1	EXHAUST PIPE FRONT PART BEND 745/750/850		-
3	A445764	1	CLAMP EXHAUST PIPE D=48 M8		-

22.8.2023

A441676 FUEL SYSTEM ASSEMBLY WITH FILTER 700/800



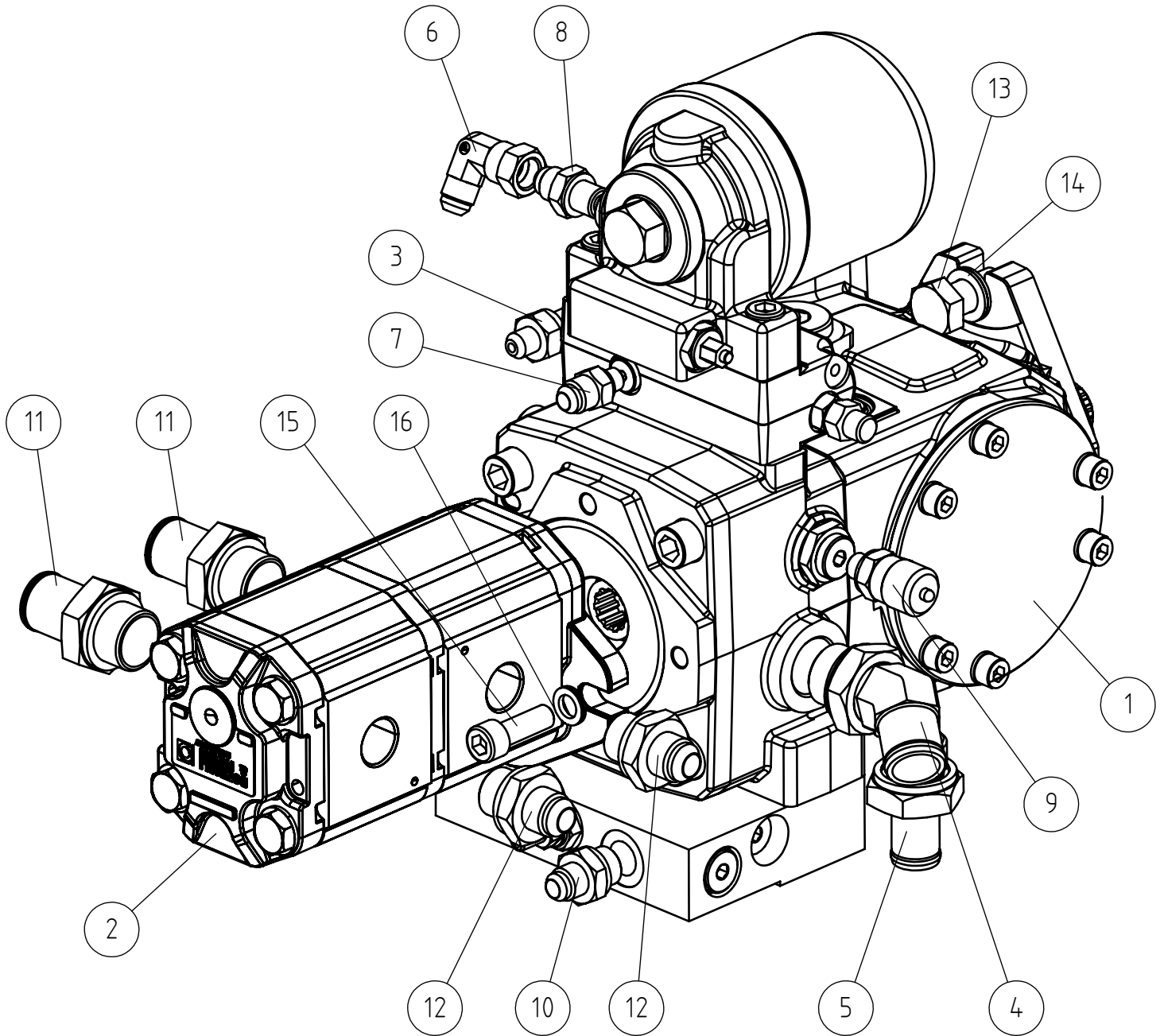
22.8.2023

A441676 FUEL SYSTEM ASSEMBLY WITH FILTER 700/800

REF	PART NO	QTY	DESCRIPTION	NOTES	PAGE
1	64657	1	FUEL FILTER IN HOSE 12581-43012 D1105		-
2	64920	1	WATER SEQUESTER, KIT, KUBOTA 16614-43001		-
3	65189	1	FUEL FILTER, KIT, V2403		-
3.1	64626	1	FUEL FILTER CARTRIDGE 15221-4308-0		-
4	64625	1	FUEL PUMP ELECTR.		-

22.8.2023

A429273 HYDRAULIC PUMPS ASSEMBLY 745/750 OPTIDRI



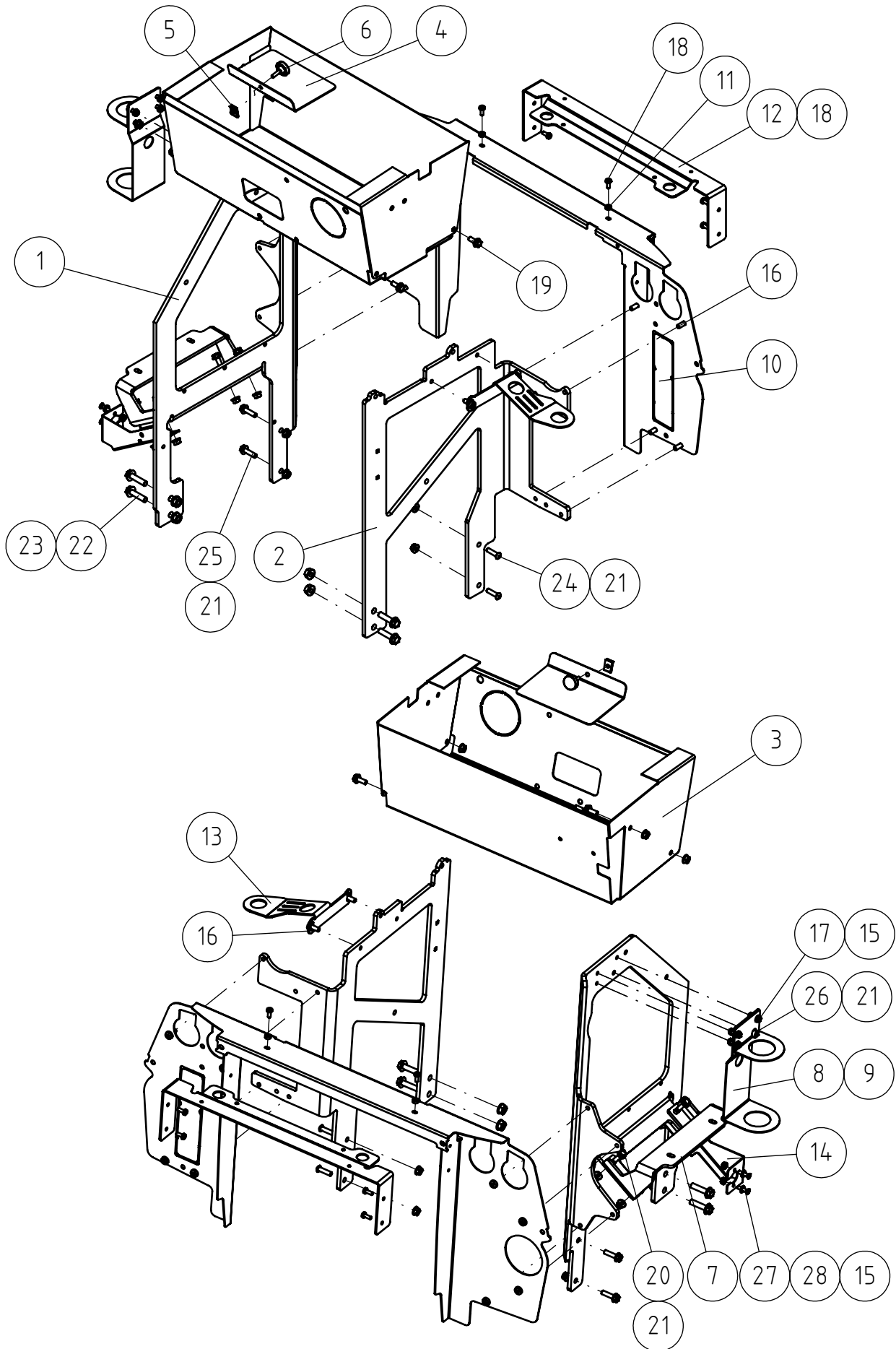
22.8.2023

A429273 HYDRAULIC PUMPS ASSEMBLY 745/750 OPTIDRI

REF	PART NO	QTY	DESCRIPTION	NOTES	PAGE
1	66354	1	VARIABLE DISPL. PUMP 745/750 HP P4 034		-
2	65142	1	HYDRAULIC PUMP HPLPB214/211		-
3	64678	2	BASIC FITTING F40XS6-1/4"		-
4	66362	1	HOSE BARB 45° R3/4"UK - 25MM		-
5	66427	1	HOSE BARB R3/4"UK - 20MM		-
6	64043	1	ELBOW FITTING 90° C6XS10		-
7	64346	1	BASIC FITTING F40XS10-1/8"		-
8	64059	1	BASIC FITTING F40XS10-1/4"		-
9	65559	2	MANOMETER FITTING M16*2		-
10	64041	1	BASIC FITTING F40XS10-3/8 /8		-
11	66107	2	HOSE BARB R3/4"UK - 25 MM L=58		-
12	64058	2	BASIC FITTING F40XS12-1/2"		-
13	74511	2	HEXAGONAL SCREW M14* 30 DIN 933		-
14	74690	2	WASHER NORDLOCK M14 NL14		-
15	74467	2	HEXAGONAL HEAD SCREW M10* 30 DIN 912		-
16	74531	2	SPACER NORDLOCK M10, PAIR		-

22.8.2023

A439111 ENGINE BAY KUBOTA STG5 T4F 700-800



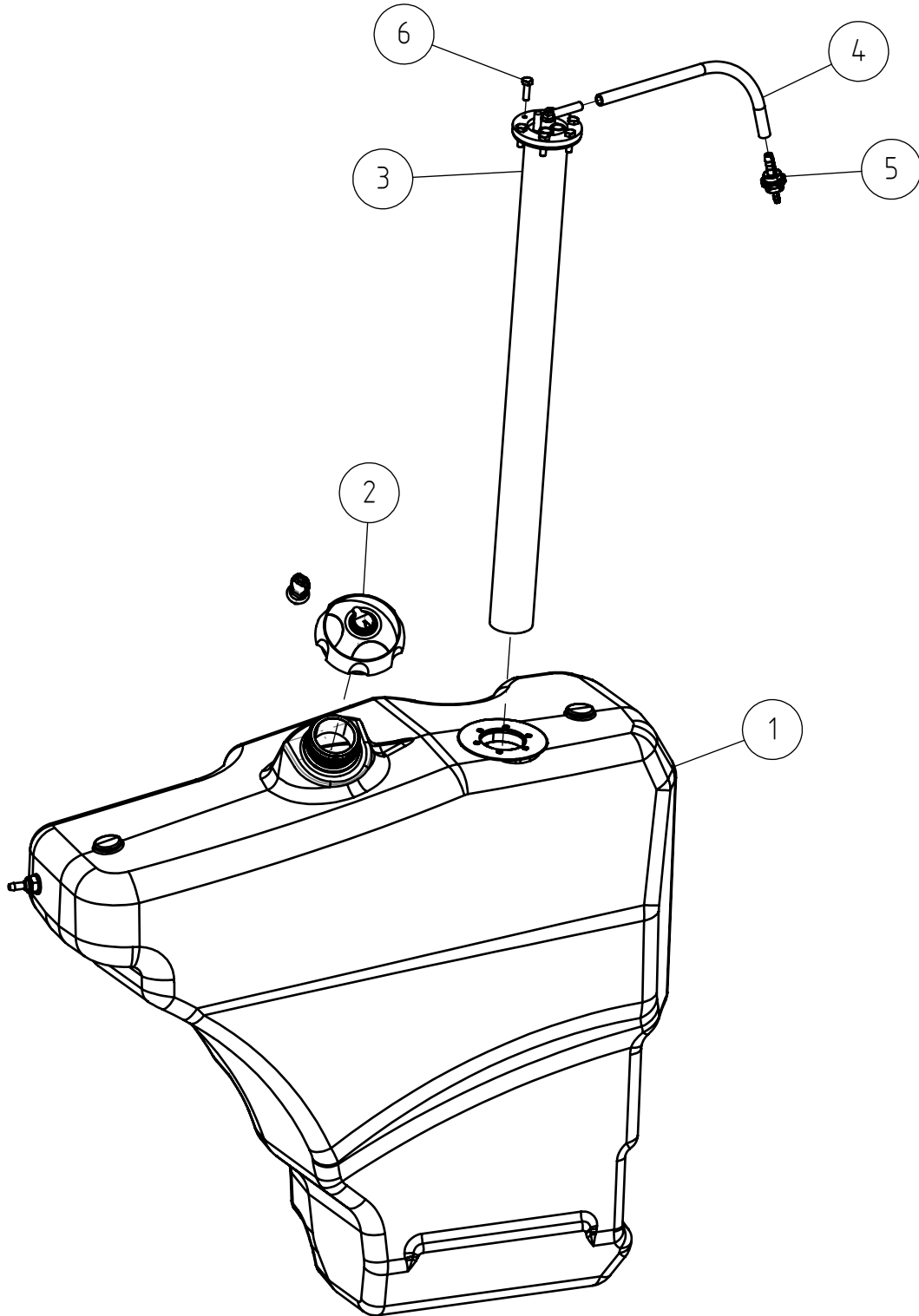
22.8.2023

A439111 ENGINE BAY KUBOTA STG5 T4F 700-800

REF	PART NO	QTY	DESCRIPTION	NOTES	PAGE
1	A439288	1	MOUNTING BRACKET, RIGHT		-
2	A450958	1	MOUNTING BRACKET LEFT 8MM 700-800 SER		-
3	A439122	1	TOOL BOX REAR FRAME 700-800 SERIES		-
4	A419234	1	HATCH		-
5	74807	1	SPEED NUT M6, FOR 0.5-4.0 MM PLATE		-
6	64941	1	FINGER SCREW M6*20 R3015RM620S		-
7	A441478	1	BRACKET EXHAUST MUFFLER 735 745 750		-
8	A417250	1	BRACKET		-
9	A417251	1	BRACKET, UPPER		-
10	A447575	1	COUNTER PLATE REAR GRILLE 700/800 SERIES		-
11	A413429	2	SPACER		-
12	A446715	1	BRACKET UPPER RADIATOR 700/800 SERIES		-
13	A437344	1	MOUNTING BRACKET FUEL TANK		-
14	A437721	1	BRACKET BATTERY DISCONNECT SWITCH		-
15	74781	5	HEXAGONAL NUT M6 WITH FLANGE		-
16	A435496	10	THREAD-FORMING SCREW M8*20 DIN 7500C		-
17	A431349	3	HEXAGONAL SERRATED SCREW M6*20 W. FLANG		-
18	75129	6	THREAD-FORMING SCREW M6*16 DIN 7500C		-
19	A429201	4	HEXAGONAL SERRATED SCREW M8*20 WITH FLAN		-
20	A429202	4	HEXAGONAL SERRATED SCREW M8*25 WITH FLAN		-
21	74782	13	HEXAGONAL NUT M8 WITH FLANGE		-
22	A432192	4	HEXAGONAL SERRATED SCREW M10*40 W. FLANG		-
23	74783	4	HEXAGONAL NUT M10 WITH FLANGE		-
24	A439829	2	HEXAGONAL HEAD SCREW M8*30 10.9 2		-
25	A429203	2	HEXAGONAL SERRATED SCREW M8*30 WITH FLAN		-
26	74481	1	HEXAGONAL HEAD SCREW M8*20 DIN 912 ZN		-
27	A426199	2	CROSS-SLOT COUNTRS. HEAD SCREW M6*25		-
28	74768	2	WASHER CONICAL M6		-

22.8.2023

A436129 FUEL TANK ASSEMBLY 66L



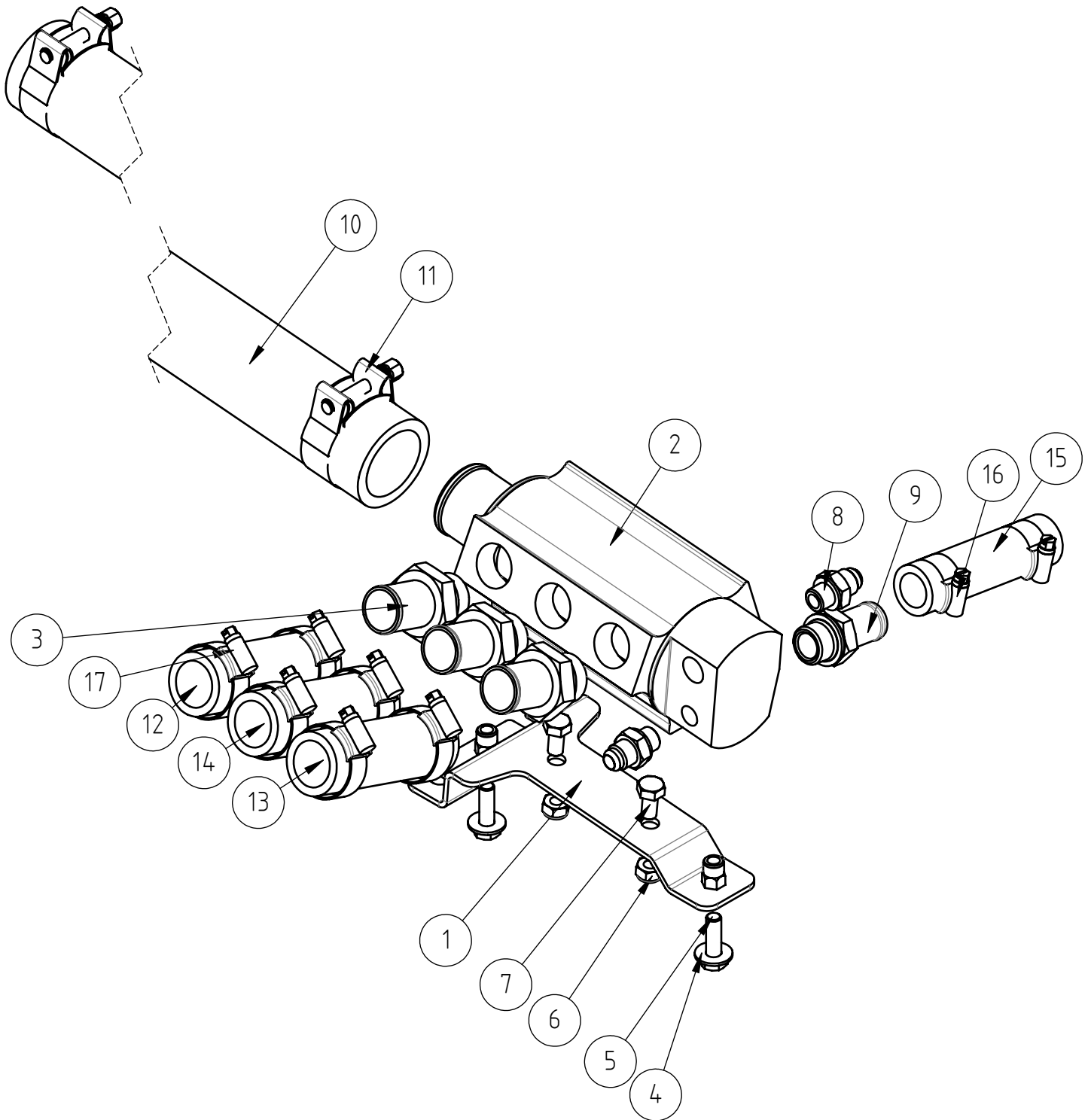
22.8.2023

A436129 FUEL TANK ASSEMBLY 66L

REF	PART NO	QTY	DESCRIPTION	NOTES	PAGE
1	A436127	1	FUEL TANK 66 LITRES		-
2	A410521	1	FUEL TANK CAP, LOCKABLE		-
3	A436296	1	SENSOR FUEL GAUGE		-
4	A422532	1	FUEL HOSE L=350		-
5	A422526	1	CHECK VALVE FUEL TANK		-
6	72118	6	HEXAGONAL SCREW M6*20 DIN 933		-

22.8.2023

A436989 HYDRAULIC MANIFOLD & HOSES 800 SERIES

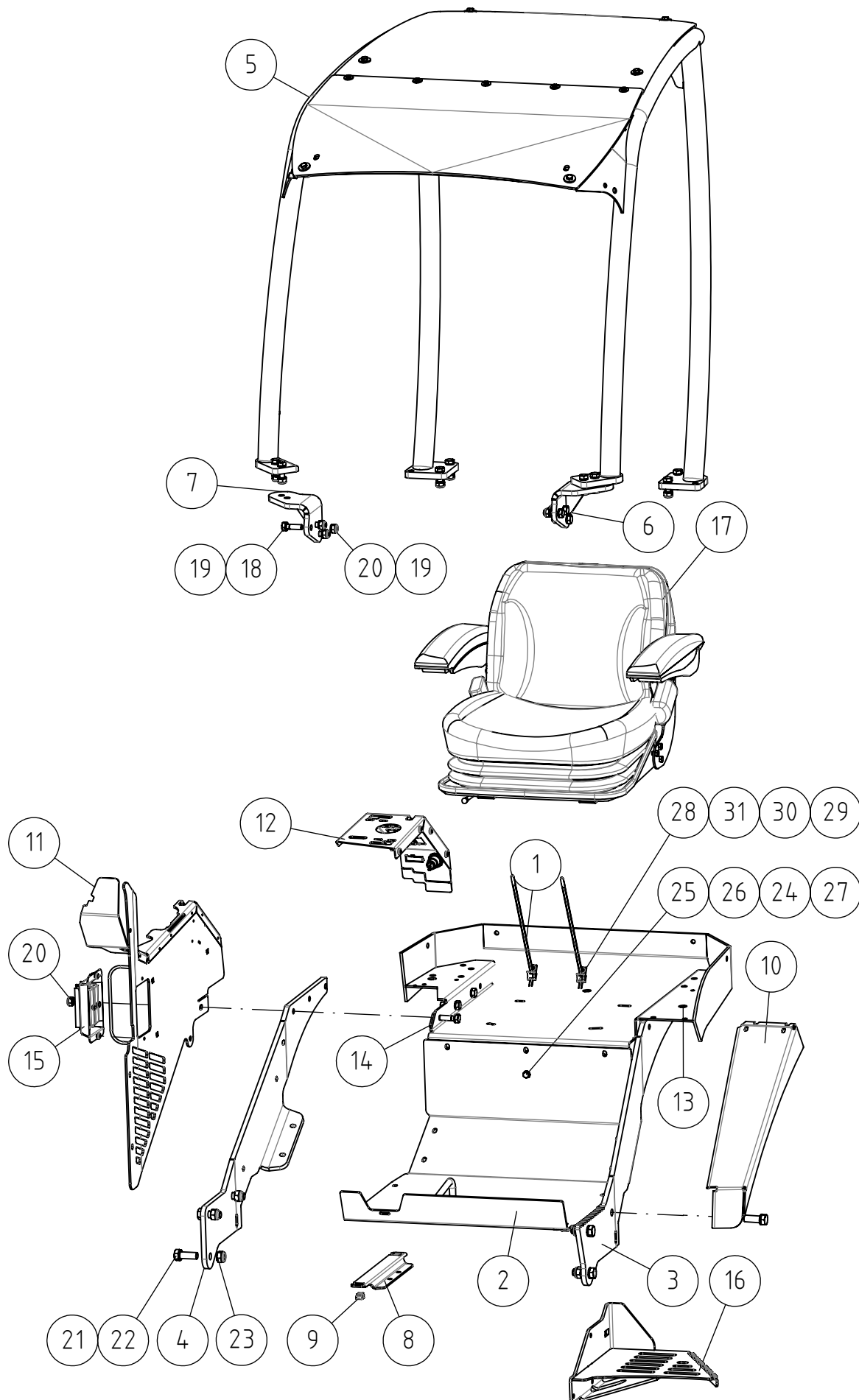


22.8.2023

A436989 HYDRAULIC MANIFOLD & HOSES 800 SERIES

REF	PART NO	QTY	DESCRIPTION	NOTES	PAGE
1	A429660	1	MOUNTING BRACKET HYDRAULIC MANIFOLD		-
2	A37587	1	HYDRAULIC MANIFOLD ASSEMBLY 400-700 SER		-
3	66107	3	HOSE BARB R3/4"UK - 25 MM L=58		-
4	74525	2	WASHER M8 8,4*20*1,25 ZN		-
5	72132	2	HEXAGONAL SCREW M 8*25 DIN 933 ZN		-
6	72320	2	HEXAGONAL NUT M8 NYLOC DIN 985		-
7	73039	2	HEXAGONAL SCREW M 8*16 DIN 933 ZN		-
8	64059	2	BASIC FITTING F40XS10-1/4		-
9	66428	1	HOSE BARB R1/2"UK - 20MM		-
10	A410028	1	INLET HOSE F53/F40-440		-
11	66013	2	PIPE CLAMP POWER-FLEX S-048-		-
12	A436987	1	INLET HOSE D25 L=660		-
13	A436983	1	INLET HOSE D25 L=480		-
14	A436985	1	INLET HOSE D25 L=590		-
15	A436981	1	HOSE D19 L=800		-
16	73530	2	HOSE CLAMP 22-32 MM		-
17	73809	6	HOSE CLAMP 32-44 MM		-

A429045 ROPS CAB ASSEMBLY 800 SERIES



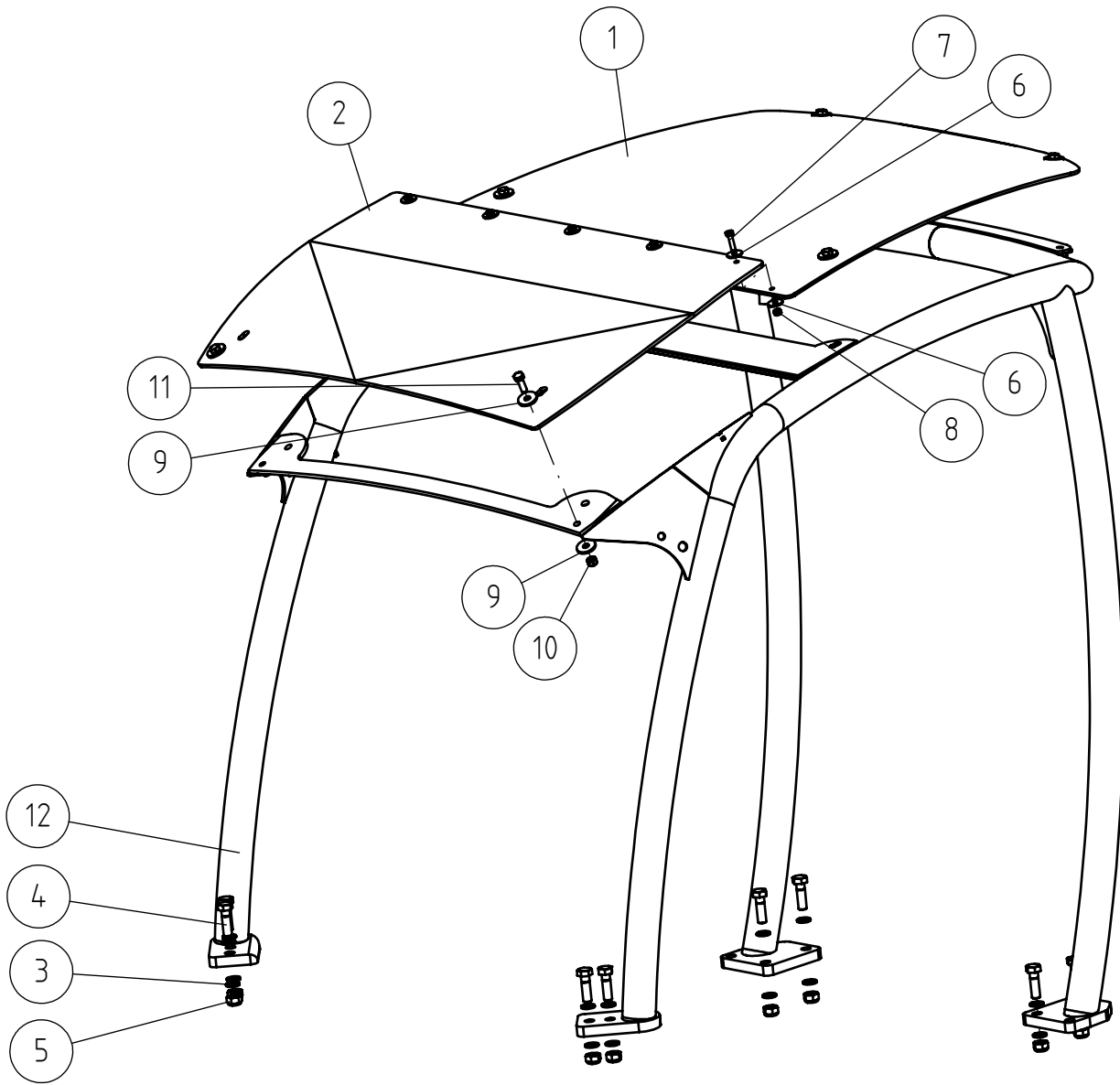
22.8.2023

A429045 ROPS CAB ASSEMBLY 800 SERIES

REF	PART NO	QTY	DESCRIPTION	NOTES	PAGE
1	A48246	1	SEAT BASE		-
2	A426699	1	FLOOR PLATE		-
3	A426647	1	BAR, LEFT		-
4	A426629	1	BAR, RIGT		-
5	A426681	1	ROPS+FOPS CANOPY 800 SERIES, ASSEMBLY		72
6	A431765	1	MOUNTING BRACKET LEFT, ROPS		-
7	A431768	1	MOUNTING BRACKET RIGHT, ROPS		-
8	A428785	2	SUPPORT, FLOOR PLATE		-
9	A428786	4	CAGE NUT M8 S=3		-
10	A426712	1	EDGE PLATE SEAT BASE		-
11	A426646	1	SIDE PLATE		-
12	A439987	1	INSTRUMENT PANEL WITH DECAL 700 / 800		74
13	A431718	1	SUPPORT PLATE LEFT		-
14	A431720	1	SUPPORT PLATE RIGHT		-
15	A438552	1	FUSE BOX ASSEMBLY 700/800 SERIES		-
16	A431776	1	STEP, AVANT 800		-
17	66155	1	SEAT FULL SUSPENSION HEATER OP MANUAL BOX		-
17.1	A435848	1	SEAT RAILS, PAIR		-
17.2	65726	1	SEAT CUSHION, BLACK, WITH HEATER		-
17.3	64816	1	ARMRESTS, PAIR, SUSPENSION SEAT ACC980		-
17.4	66375	1	SEAT BELT WITH MICROSWITCH		-
18	73322	9	HEXAGONAL SCREW M12*40 DIN 931		-
19	74532	18	WASHER NORDLOCK NL12		-
20	72324	9	HEXAGONAL NUT M 12 NYLOC DIN 985		-
21	74533	6	WASHER, PAIR, M16 NL16 NORDLOCK		-
22	72192	6	HEXAGONAL SCREW M16*45 DIN 933		-
23	72330	6	HEXAGONAL NUT M16 NYLOC DIN 985		-
24	72320	1	HEXAGONAL NUT M8 NYLOC DIN 985		-
25	73222	1	HEXAGONAL SCREW M8*40 DIN 933		-
26	63944	1	WASHER, PAIR, NORD-LOCK M8		-
27	64188	1	FINGER SCREW R5026M8S		-
28	A442639	2	CABLE TIE 7,6*390 M6 BLACK		-
29	74781	2	HEXAGONAL NUT M6 WITH FLANGE		-
30	74768	2	WASHER CONICAL M6		-
31	74767	2	RAISED COUNTERSUNK HEAD SCREW M6*20		-

22.8.2023

A426681 ROPS+FOPS CANOPY 800 SERIES, ASSEMBLY



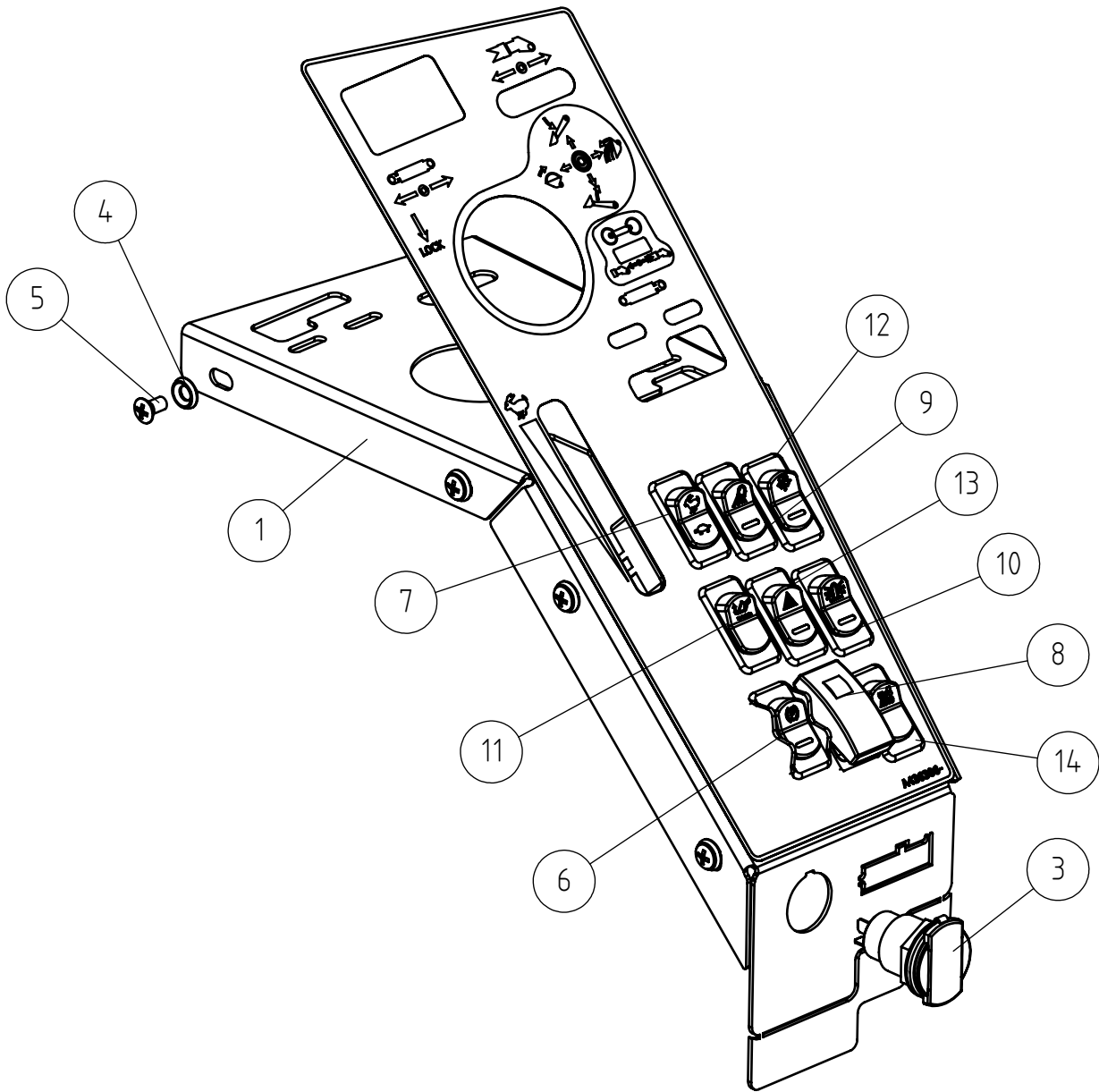
22.8.2023

A426681 ROPS+FOPS CANOPY 800 SERIES, ASSEMBLY

REF	PART NO	QTY	DESCRIPTION	NOTES	PAGE
1	A48905	1	FOPS CANOPY PLATE 500/600/700		-
2	A48909	1	CANOPY, SHORT, POLYCARBONATE (WITH FOPS)		-
3	74532	16	WASHER NORDLOCK NL12		-
4	73322	8	HEXAGONAL SCREW M12*40 DIN 931		-
5	72324	8	HEXAGONAL NUT M 12 NYLOC DIN 985		-
6	71681	10	WASHER M6 DIN 440		-
7	72119	5	HEXAGONAL SCREW M6*25 DIN 933 ZN		-
8	72318	5	HEXAGONAL NUT M 6 DIN 985 NYLOC		-
9	71685	12	WASHER M8 R9 DIN 440 ZN		-
10	72320	6	HEXAGONAL NUT M8 NYLOC DIN 985		-
11	72132	6	HEXAGONAL SCREW M 8*25 DIN 933 ZN		-
12	A426668	1	ROPS FRAME 800 SERIES		-

22.8.2023

A439987 INSTRUMENT PANEL WITH DECAL 700 / 800



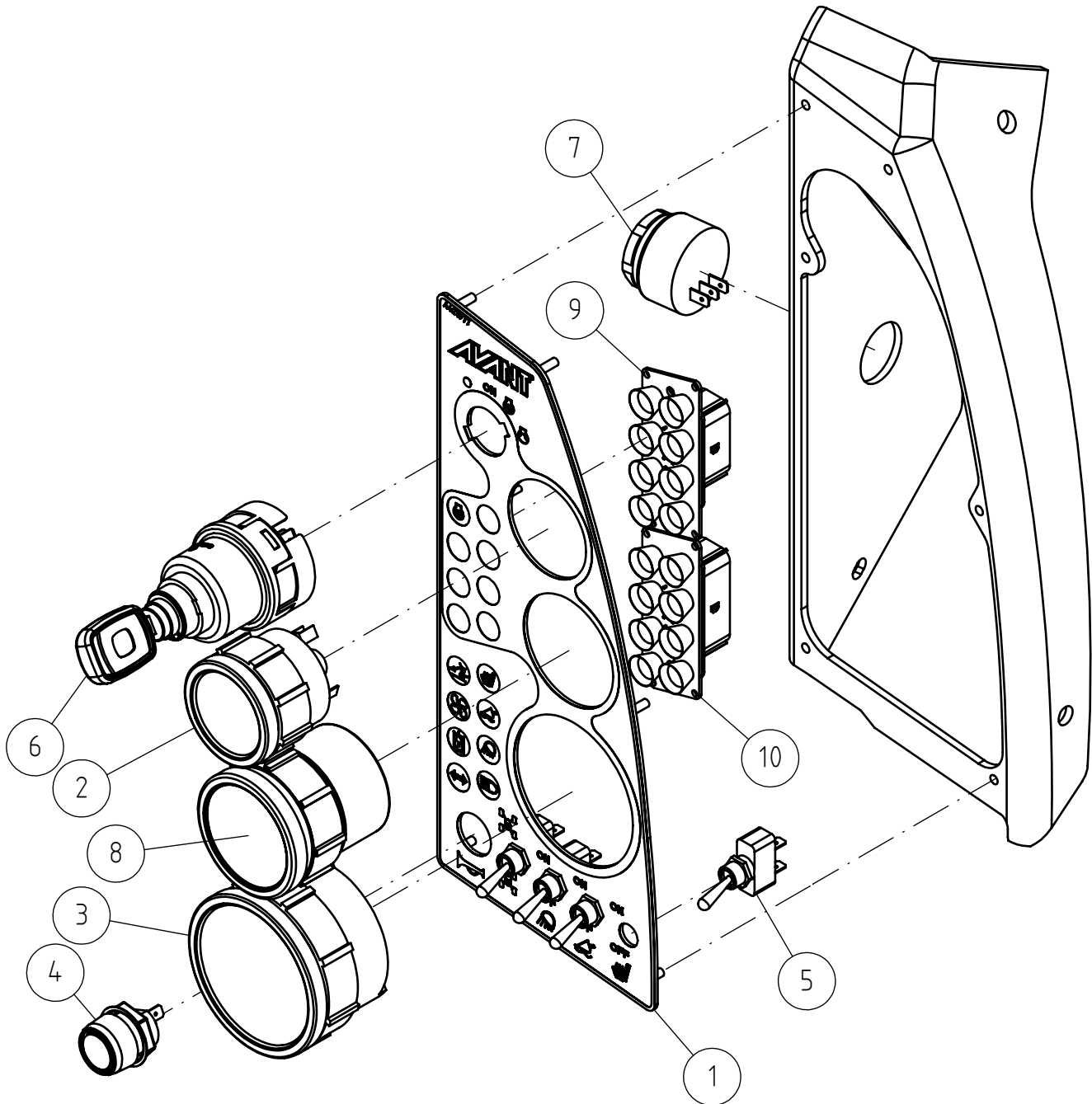
22.8.2023

A439987 INSTRUMENT PANEL WITH DECAL 700 / 800

REF	PART NO	QTY	DESCRIPTION	NOTES	PAGE
1	A431454	1	PANEL 800 SERIES		-
2	A436386	1	DECAL INSTRUMENT PANEL 800 SERIES		-
3	A436424	1	OUTLET 12V/20A WITH COVER		-
4	74768	4	WASHER CONICAL M6		-
5	75162	4	CROSS HEAD COUNTERS SCREW M6*12		-
6	65216	1	SWITCH, PARKING BRAKE		-
7	65246	1	SWITCH, DRIVE SPEED AREA, 750		-
8	A430996	1	CONTROL SWITCH, HYDR ATTACHMENT COUPLING		-
9	65066	1	SWITCH, WORK LIGHT		-
10	65065	1	SWITCH, BEACON		-
11	A437190	1	SWITCH SMOOTH DRIVE		-
12	65063	1	SWITCH, WIPER/WASHER		-
13	65064	1	SWITCH, WARNING BLINKER		-
14	A437343	1	ROCKER SWITCH OPTICONTROL		-

22.8.2023

A423593 DASHBOARD ASSEMBLY



22.8.2023

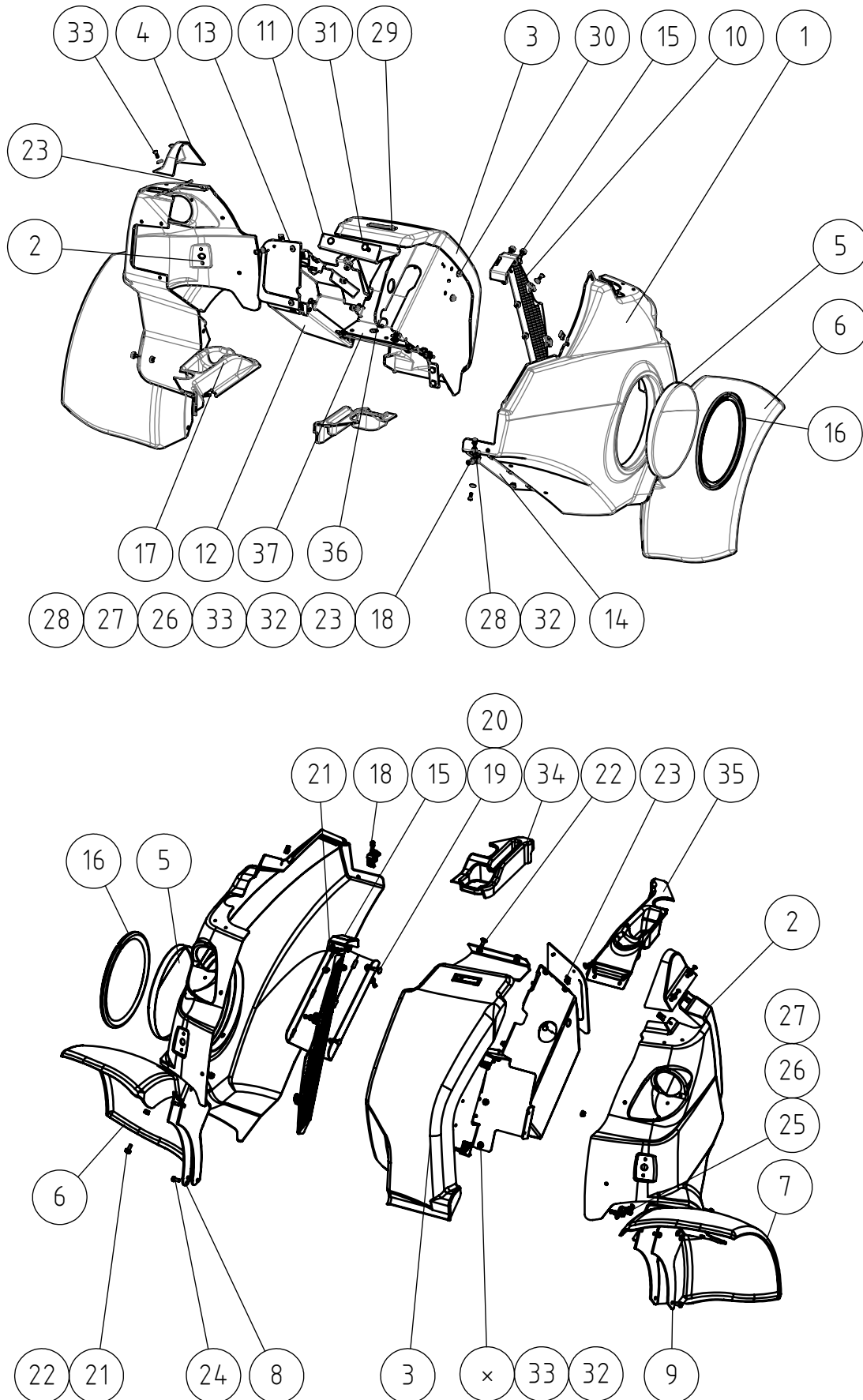
A423593 DASHBOARD ASSEMBLY

REF	PART NO	QTY	DESCRIPTION	NOTES	PAGE
1	A423592	1	MOUNTING PLATE INDICATORS&GAUGES WITH OI		-
2	65122	1	FUEL GAUGE		-
3	65123	1	HOUR METER/TACHOMETER 500/600 SERIES		-
4	64074	1	PUSH BUTTON F22,5 SIGNAL HORN		-
5	64602	4	ROCKER SWITCH ON-OFF 2-POLE 250VAC/10A		-
6	66156	1	IGNITION SWITCH 12V/30A/60A IP65 COBO		-
6.1	64214	1	IGNITION KEY		-
7	A440326	1	ALARM BEEPER D28,5/D45 -H47		-
8	A430775	1	THERMOMETER WATER/HYDRAULIC OIL		-
9	A425304	1	INDICATOR LIGHTS DIESEL ENGINE KOHLER		-
10	A425315	1	INDICATOR LIGHTS E SERIES		-

22.8.2023

ABS

A429275 COVER PLATES, KIT, FRONT FRAME, 800 ROPS



22.8.2023

ABS

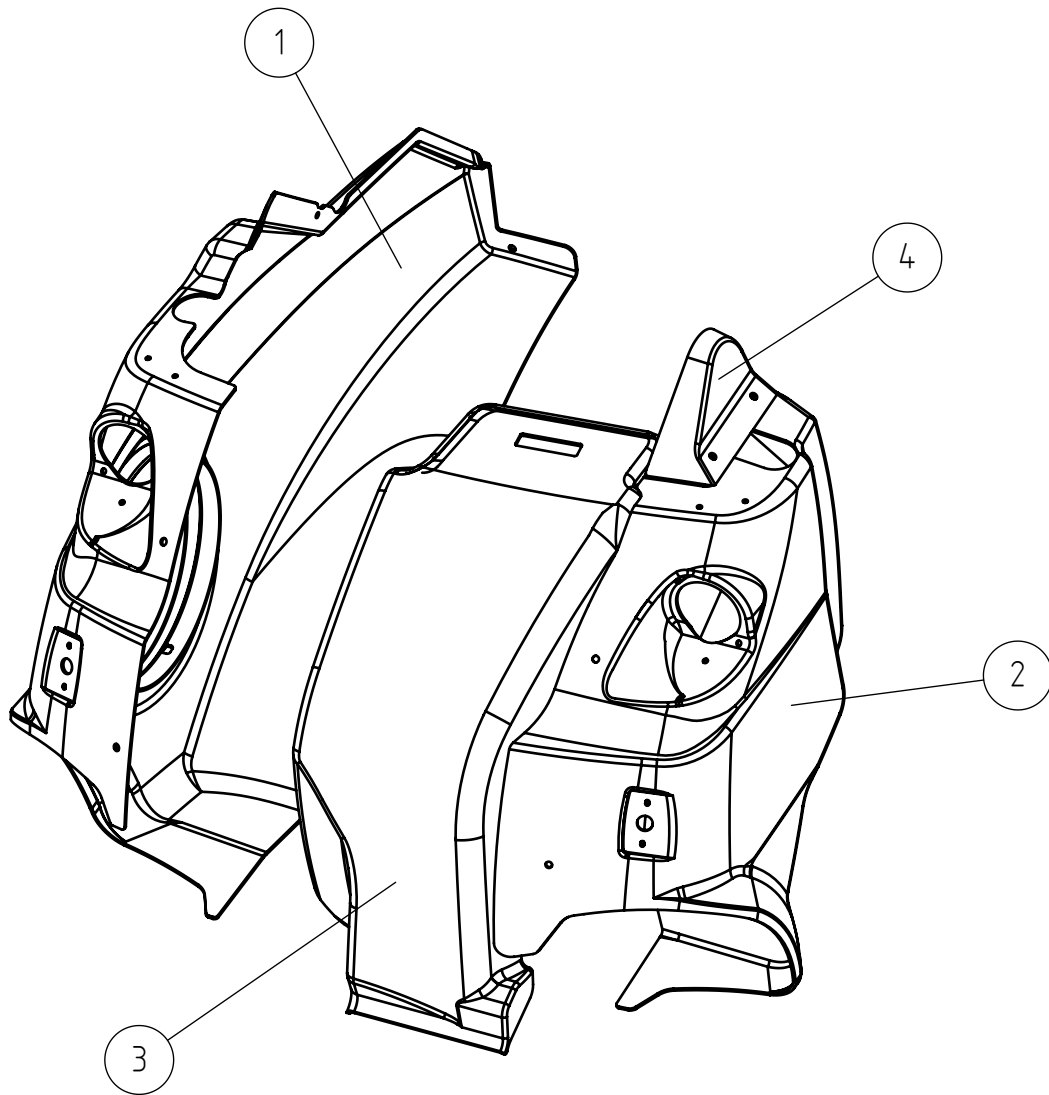
A429275 COVER PLATES, KIT, FRONT FRAME, 800 ROPS

REF	PART NO	QTY	DESCRIPTION	NOTES	PAGE
1	A431139	1	COVER PLATE FRONT RIGHT, ABS, 800 SERIES		-
2	A431140	1	COVER PLATE, FRONT LEFT, ABS 800 SERIES		-
3	A431141	1	COVER PLATE, CENTER FRONT, ABS, 800 SER		-
4	A431312	1	PROTECTIVE PLATE ABS		-
5	A431524	1	MESH HYDRAULIC OIL COOLER		-
6	A420821	1	MUDGUARD, FRONT, RIGHT 700 SER 400/50-15		-
7	A420822	1	MUDGUARD, FRONT, LEFT 700 SER 400/50-15		-
8	A420823	1	BRACKET RIGHT MUDGUARD		-
9	A420824	1	BRACKET LEFT MUDGUARD		-
10	A431580	1	GRILLE FRONT RIGHT		-
11	A431523	1	BRACKET, UPPER, COVER PLATE CENTRE		-
12	A431659	1	GLOVE BOX FRONT LEFT 800 SERIES		-
13	A431675	1	RUBBER PLATE GLOVE BOX FRONT LEFT		-
14	A457468	1	MOUNTING PLATE ASSEMBLY FRONT CHASSIS		-
15	A431958	1	BRACKET, HOSES, FRONT CHASSIS		-
16	A438435	1	EDGE BANDING, FAN 800 SERIES		-
17	A47676	1	ANGLE BRACKET 95°		-
18	A410861	1	ANGLE BRACKET 100 DEGREES		-
19	74857	2	CARRIAGE BOLT M8*25 DIN603		-
20	72320	2	HEXAGONAL NUT M8 NYLOC DIN 985		-
21	A429201	14	HEXAGONAL SERRATED SCREW M8*20 WITH FLAN		-
22	74782	26	HEXAGONAL NUT M8 WITH FLANGE		-
23	74807	13	SPEED NUT M6, FOR 0.5-4.0 MM PLATE		-
24	A435496	11	THREAD-FORMING SCREW M8*20 DIN 7500C		-
25	A431349	1	HEXAGONAL SERRATED SCREW M6*20 W. FLANG		-
26	71680	2	WASHER M6 DIN 125		-
27	72318	2	HEXAGONAL NUT M 6 DIN 985 NYLOC		-
28	A431967	1	HEXAGONAL SERRATED SCREW M6*16 W. FLANG		-
29	65085	1	LATCH		-
30	A429200	2	HEXAGONAL SERRATED SCREW M8*16 WITH FLAN		-
31	74836	9	CARRIAGE BOLT M8*20		-
32	A422221	13	WASHER M6 GREEN PLASTIC, ANALOG FOR		-
33	74767	13	RAISED COUNTERSUNK HEAD SCREW M6*20		-
34	A431510	1	CUP HOLDER, RIGHT		-
35	A434360	1	CUP HOLDER, LEFT		-
36	A446040	1	PLATE, CENTER, FRONT CHASSIS 800 SERIES		-
37	A446041	1	MOUNTING BRACKET ORBITROL		-
38	A450447	1	BRACKET, LEFT, COVER PLATES FRONT		-

22.8.2023

PC/HD, optional extraA429275

A438618 COVER PLATES HD KIT FRONT FRAME 800 ROPS



22.8.2023

PC/HD, optional extraA429275

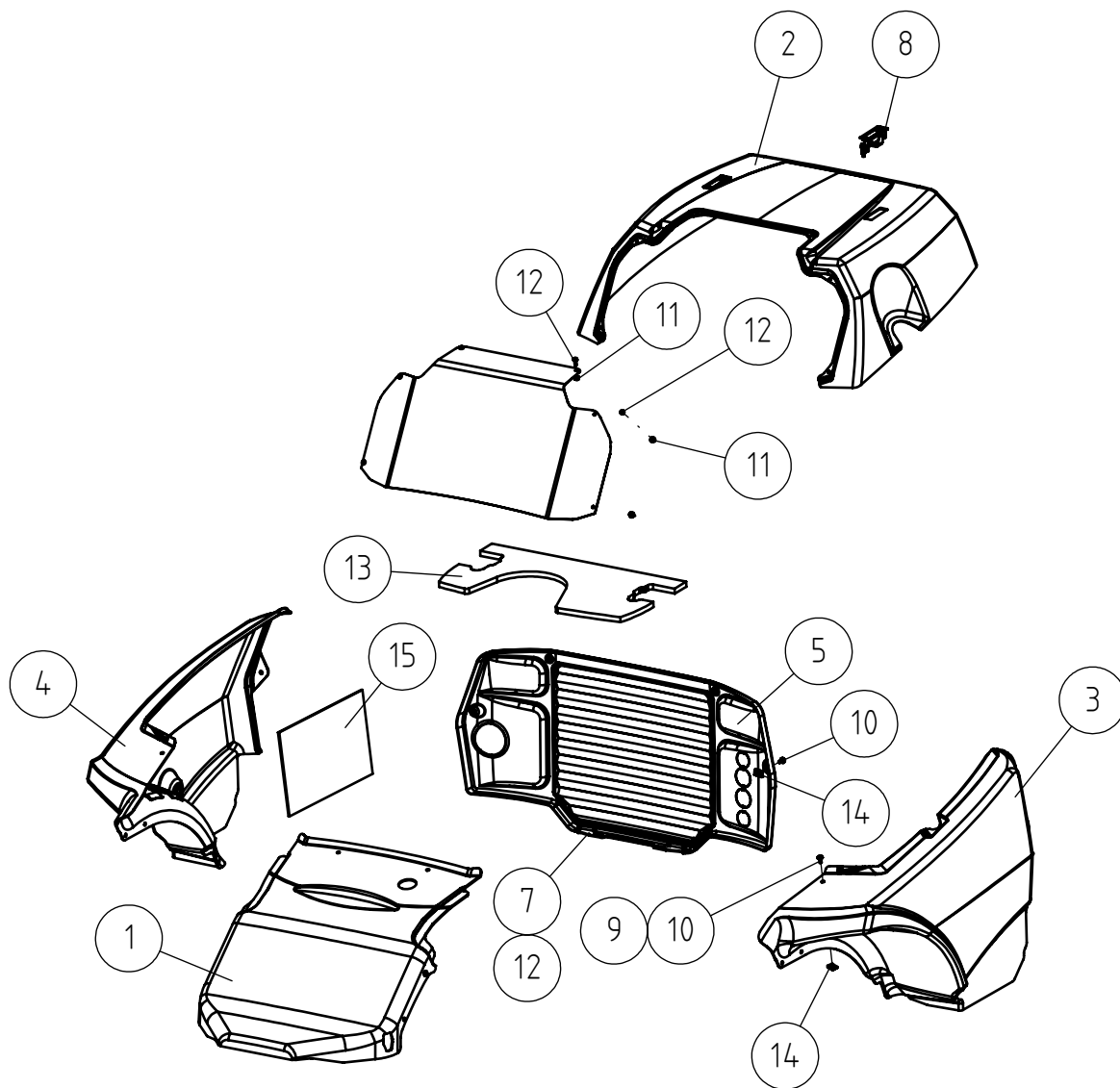
A438618 COVER PLATES HD KIT FRONT FRAME 800 ROPS

REF	PART NO	QTY	DESCRIPTION	NOTES	PAGE
1	A438566	1	COVER PLATE POLYCARB FRONT RIGHT 800		-
2	A438564	1	COVER PLATE POLYCARB FRONT LEFT 800		-
3	A438565	1	COVER PLATE POLYCARB FRONT CENTER 800		-
4	A431312	1	PROTECTIVE PLATE ABS		-

22.8.2023

ABS

A442266 COVER PLATES REAR FRAME ABS 700/800



22.8.2023

ABS

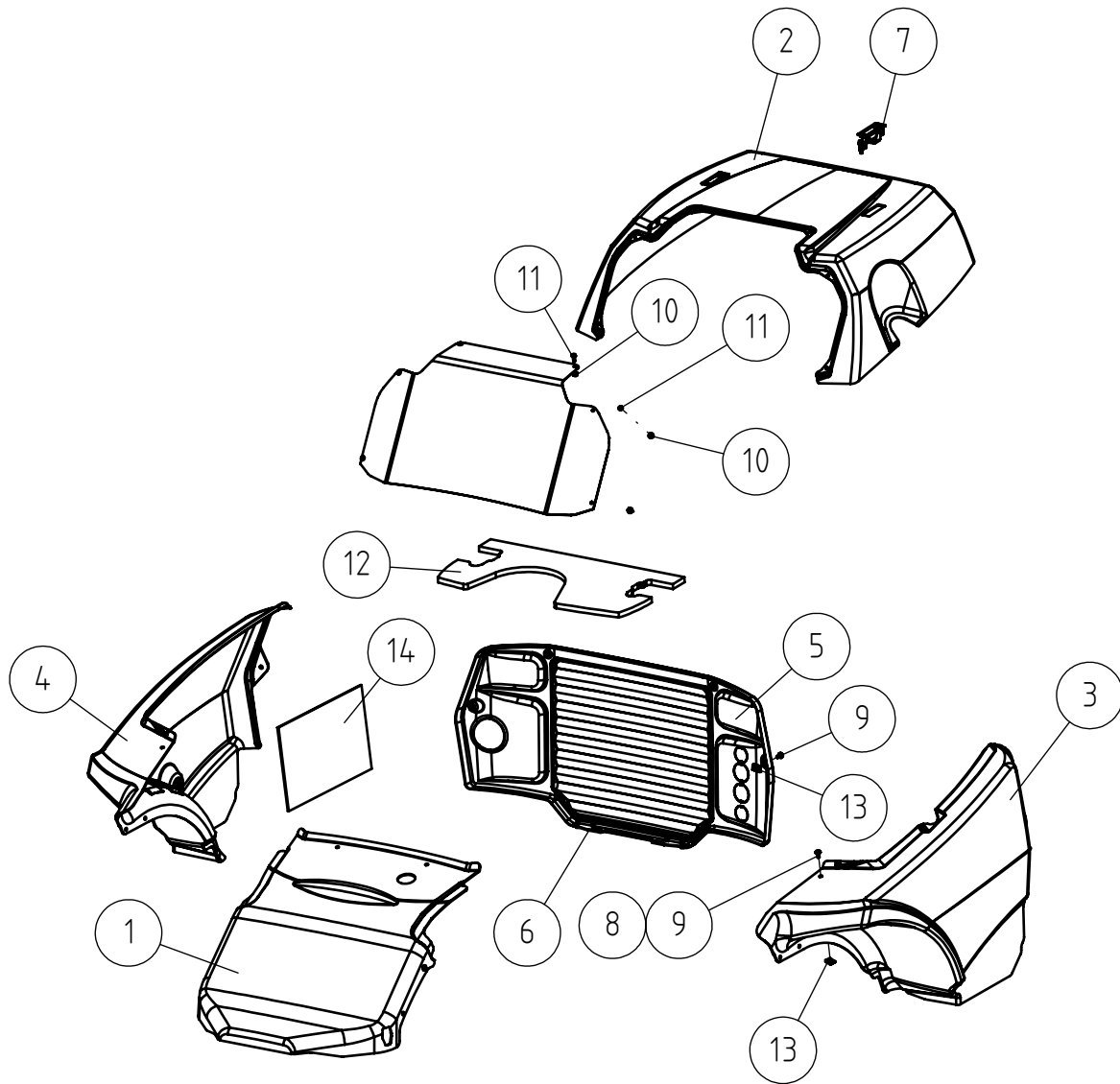
A442266 COVER PLATES REAR FRAME ABS 700/800

REF	PART NO	QTY	DESCRIPTION	NOTES	PAGE
1	A442264	1	COVER PLATE REAR CENTER FRONT ABS		-
2	A436436	1	COVER PLATE ENGINE, ABS, 800 STAGE V		-
3	A442294	1	COVER PLATE REAR LEFT ABS, 800 STAGE 5		-
4	A442263	1	COVER PLATE REAR RIGHT ABS, 800 STAGE 5		-
5	A437378	1	REAR GRILLE WITHOUT LIGHTS 700/800		-
6	A437107	1	FRONT MESH, COVER PLATE ENGINE 700/800		-
7	A446673	1	MOUNTING PLATE REAR GRILLE 700/800		-
8	65085	2	LATCH		-
9	74768	3	WASHER CONICAL M6		-
10	74767	3	RAISED COUNTERSUNK HEAD SCREW M6*20		-
11	74781	6	HEXAGONAL NUT M6 WITH FLANGE		-
12	A437544	10	THREAD-FORMING SCREW BLACK M6*16 DIN		-
13	A418781	1	SEALING PLATE		-
14	74807	3	SPEED NUT M6, FOR 0.5-4.0 MM PLATE		-
15	A439798	1	HEAT SHIELD ON REAR COVER PLATE 700/800		-

22.8.2023

PC/HD, optional extra

A44553 COVER PLATES REAR FRAME HD POLYCARBONATE



22.8.2023

PC/HD, optional extra

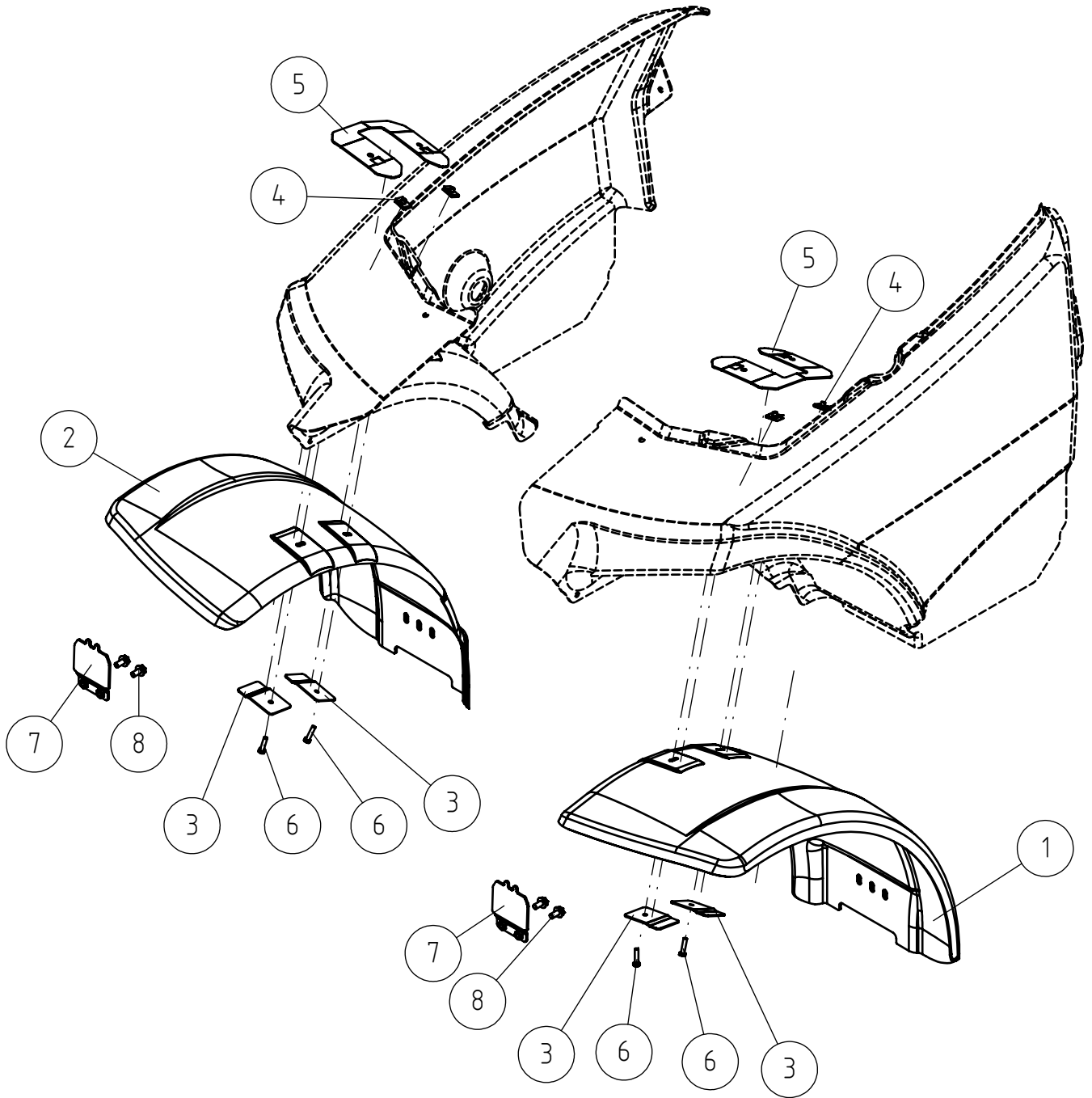
A445553 COVER PLATES REAR FRAME HD POLYCARBONATE

REF	PART NO	QTY	DESCRIPTION	NOTES	PAGE
1	A442264	1	COVER PLATE REAR CENTER FRONT ABS		-
2	A438567	1	COVER PLATE ENGINE, POLYCARBONATE,		-
3	A444585	1	COVER PLATE REAR LEFT POLYCARBONATE		-
4	A444586	1	COVER PLATE REAR RIGHT POLYCARBONATE		-
5	A437378	1	REAR GRILLE WITHOUT LIGHTS 700/800		-
6	A446673	1	MOUNTING PLATE REAR GRILLE 700/800		-
7	65085	2	LATCH		-
8	74768	3	WASHER CONICAL M6		-
9	74767	3	RAISED COUNTERSUNK HEAD SCREW M6*20		-
10	74781	6	HEXAGONAL NUT M6 WITH FLANGE		-
11	A437544	10	THREAD-FORMING SCREW BLACK M6*16 DIN		-
12	A418781	1	SEALING PLATE		-
13	74807	3	SPEED NUT M6, FOR 0.5-4.0 MM PLATE		-
14	A439798	1	HEAT SHIELD ON REAR COVER PLATE 700/800		-
15	A437107	1	FRONT MESH, COVER PLATE ENGINE 700/800		-

22.8.2023

Mud guards

A437518 MUDGUARDS REAR 700/800 STAGE 5



22.8.2023

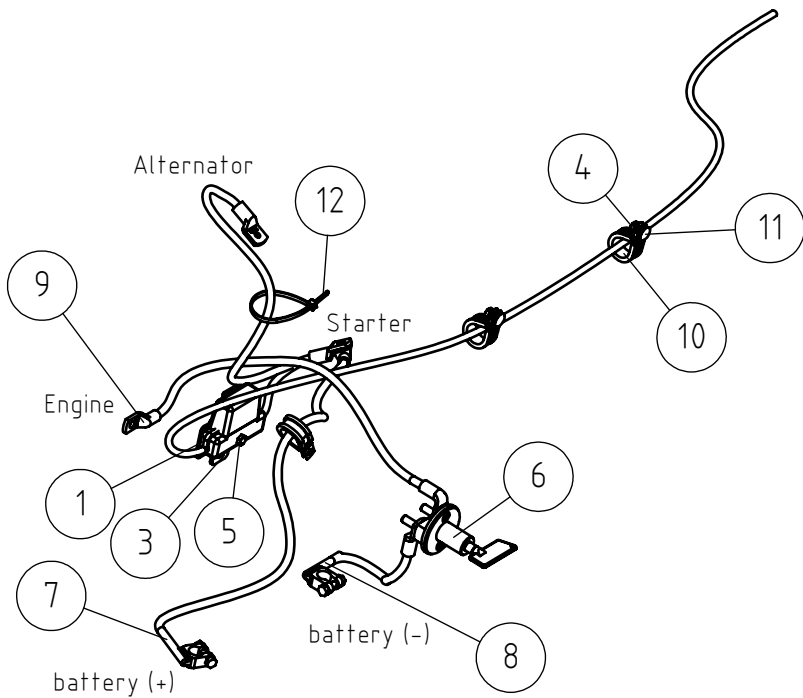
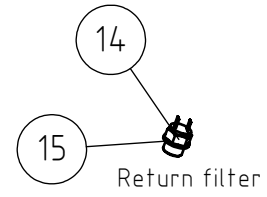
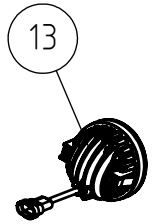
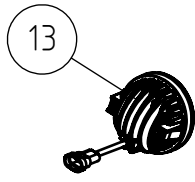
Mud guards

A437518 MUDGUARDS REAR 700/800 STAGE 5

REF	PART NO	QTY	DESCRIPTION	NOTES	PAGE
1	A436419	1	MUDGUARD REAR LEFT, 800 STAGE V		-
2	A436597	1	MUDGUARD REAR RIGHT, 800 STAGE V		-
3	A437485	4	MOUNTING PLATE REAR MUDGUARD 700/800		-
4	74807	4	SPEED NUT M6, FOR 0.5-4.0 MM PLATE		-
5	A438480	2	MOUNTING BRACKET MUDGUARD		-
6	72119	4	HEXAGONAL SCREW M6*25 DIN 933 ZN		-
7	A446663	2	MOUNTING BRACKET MUDGUARD REAR 600-800		-
8	A429200	4	HEXAGONAL SERRATED SCREW M8*16 WITH FLAN		-

22.8.2023

A441357 ELECTRIC SYSTEM ASSEMBLY AVANT 700



22.8.2023

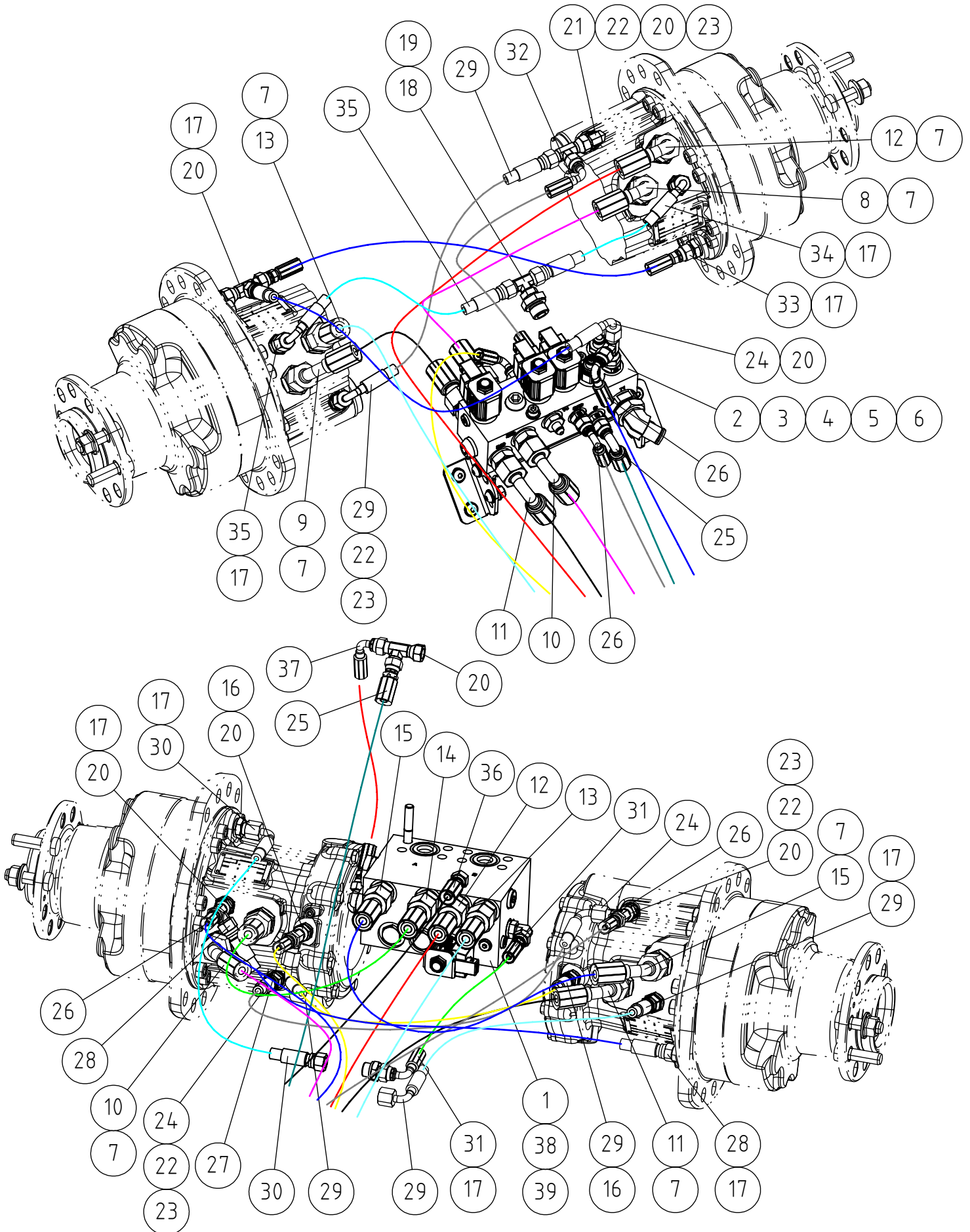
A441357 ELECTRIC SYSTEM ASSEMBLY AVANT 700

REF	PART NO	QTY	DESCRIPTION	NOTES	PAGE
1	A21719	1	WIRE HARNESS 500-700 SERIES		-
2	A37221	1	WIRE HARNESS PARKING BRAKE/1-SPEED		-
3	A425379	1	MOUNTING BRACKET MAIN FUSE		-
4	74781	3	HEXAGONAL NUT M6 WITH FLANGE		-
5	74497	1	HEXAGONAL SCREW M6* 40 DIN 931		-
6	64141	1	BATTERY DISCONNECT SWITCH 28V/100A		-
6.1	64394	1	KEY, BATTERY DISCONNECT SWITCH C-180216		-
7	A419089	1	CABLE, BATTERY, RED, L=550		-
8	65071	1	CABLE, BATTERY, BLACK, L=280		-
9	A437910	1	CABLE, BLACK, L=530 35MM2		-
10	74573	3	PIPE CLAMP F25 MM		-
11	A435922	2	CARRIAGE BOLT M6*12 DIN603		-
12	74548	1	CABLE TIE 4,8*186 BLACK		-
13	66266	2	WORK LIGHT LED 1000 LUMEN 12V/8W		-
14	64096	1	TEMPERATURE SWITCH 60°C HYDRAULIC OIL		-
15	73047	1	USIT SEAL RING R/12"		-

22.8.2023

DKOS fittings from 2022 week 26

A451291 HYDR. HOSES DRIVE, WITH ANTI SLIP 860I



22.8.2023

DKOS fittings from 2022 week 26

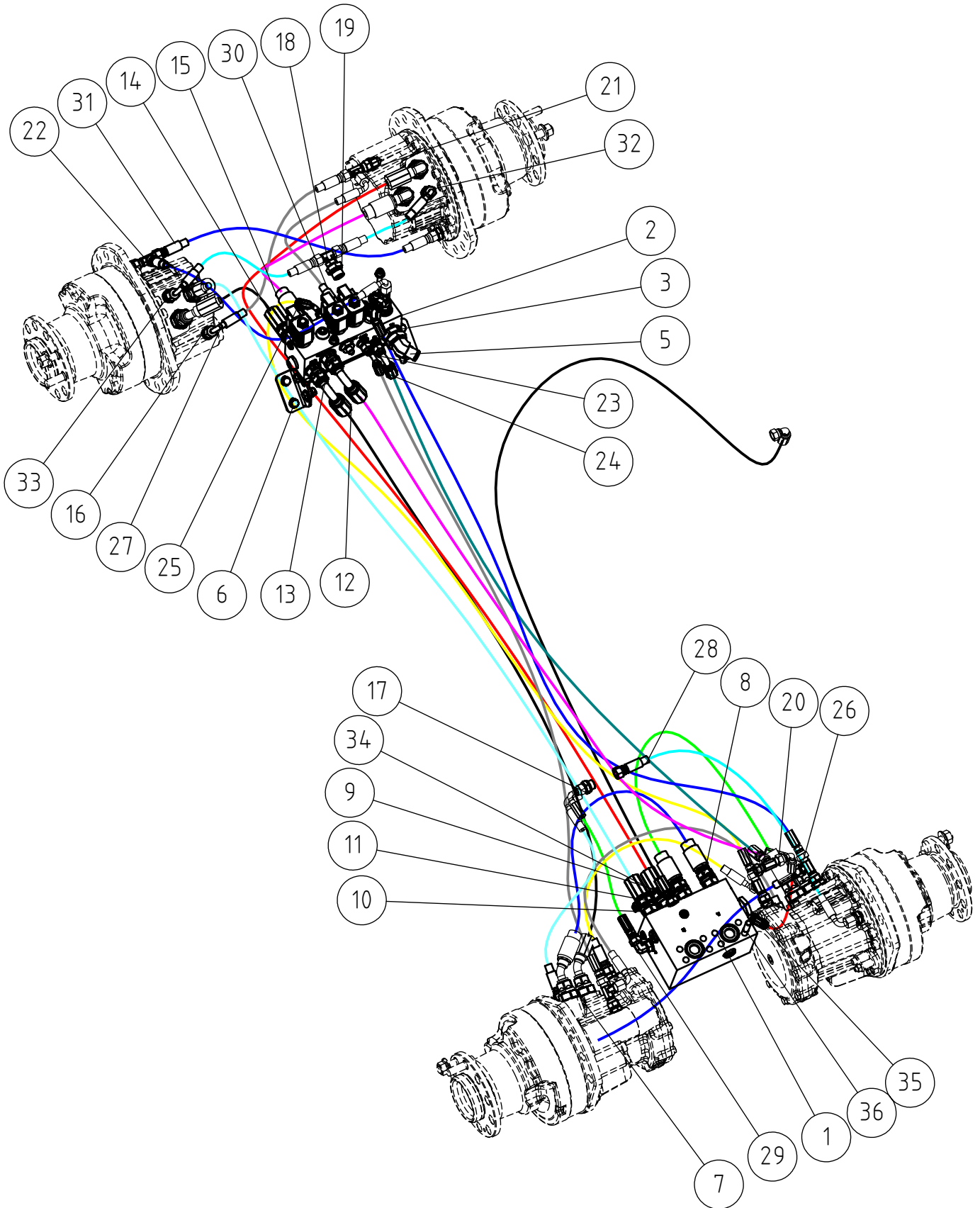
A451291 HYDR. HOSES DRIVE, WITH ANTI SLIP 860I

REF	PART NO	QTY	DESCRIPTION	NOTES	PAGE
1	A454024	1	HYDRAULIC MANIFOLD ANTI SLIP VALVE	DKOS fittings from 2022 week 26	98
2	A454022	1	HYDRAULIC MANIFOLD 2-SPEED	DKOS fittings from 2022 week 26	100
3	A421825	1	BANJO BOLT, HYDR. MANIFOLD		-
4	75112	2	O-RING NBR F 32,99*2,62 90SH		-
5	66361	1	HOSE BARB 45° R3/4"UK - 20MM		-
6	A37332	1	MOUNTING PLATE HYDRAULIC MANIFOLD, ASSEM		-
7	A449893	8	BASIC FITTING G3/4" M24*1,5		-
8	A451295	1	HYDR. HOSE L=630		-
9	A451297	1	HYDR. HOSE L=330		-
10	A451298	1	HYDR. HOSE L=1400		-
11	A451299	1	HYDR. HOSE L=1370		-
12	A451300	1	HYDR. HOSE L=2100		-
13	A451301	1	HYDR. HOSE L=1700		-
14	A451302	1	HYDR. HOSE L=620		-
15	A451303	1	HYDR. HOSE L=800		-
16	64059	2	BASIC FITTING F40XS10-1/4		-
17	64041	9	BASIC FITTING F40XS10-3/8 /8		-
18	64344	1	T-FITTING BODY S40XS10-1/4		-
19	64743	1	REDUCER FITTING R1/2" - EDX 1/4"		-
20	64078	7	L-FITTING BODY R6XS10		-
21	64043	1	ELBOW FITTING 90° C6XS10		-
22	A457030	4	BASIC FITTING G1/4"		-
23	73757	4	USIT COMPRESSION R1/4"		-
24	A415120	2	HYDR. HOSE L=750		-
25	A434553	1	HYDR. HOSE L=1420		-
26	A436991	2	HYDR. HOSE L=1350		-
27	A436993	1	HYDR. HOSE L=1650		-
28	A44472	1	HYDR. HOSE L=720 JIC10-JIC10 FLOATING BO		-
29	A410096	3	HYDR. HOSE L=450		-
30	A416511	1	HYDR. HOSE L=650		-
31	A410017	1	HYDR. HOSE L=400		-
32	A446655	1	HYDR. HOSE L=750		-
33	A416492	1	HYDR. HOSE L=600		-
34	A415115	1	HYDR. HOSE L=240		-
35	A410165	1	HYDR. HOSE L=300		-
36	A434555	1	HYDR. HOSE L=2200		-
37	A410094	1	HYDR. HOSE L=350		-
38	75122	8	HEXAGONAL HEAD SCREW M10*140 12.9 DIN912		-
39	A434424	8	SAFETY WASHER M10 3/8"		-

22.8.2023

E03 fittings before 2022 week 26

A431829 HYDR. HOSES, DRIVE, 800 SER WITH ANTI-SL



22.8.2023

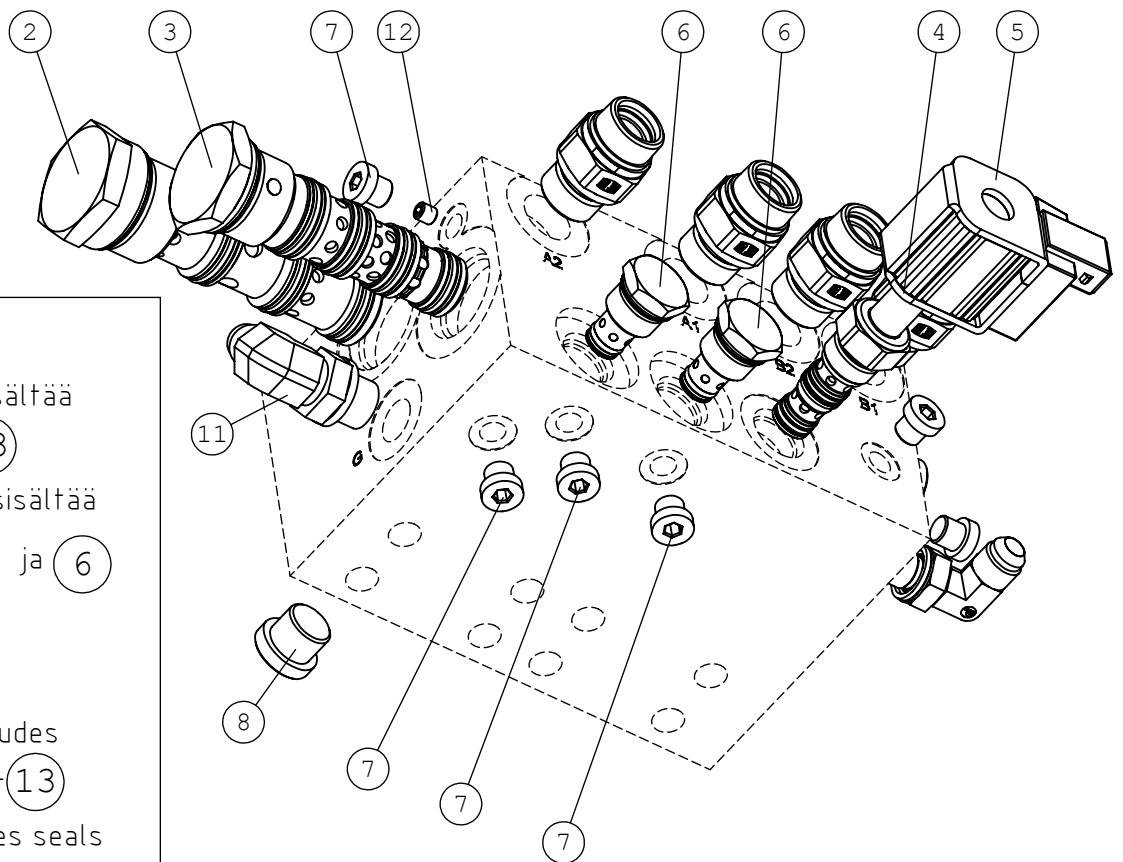
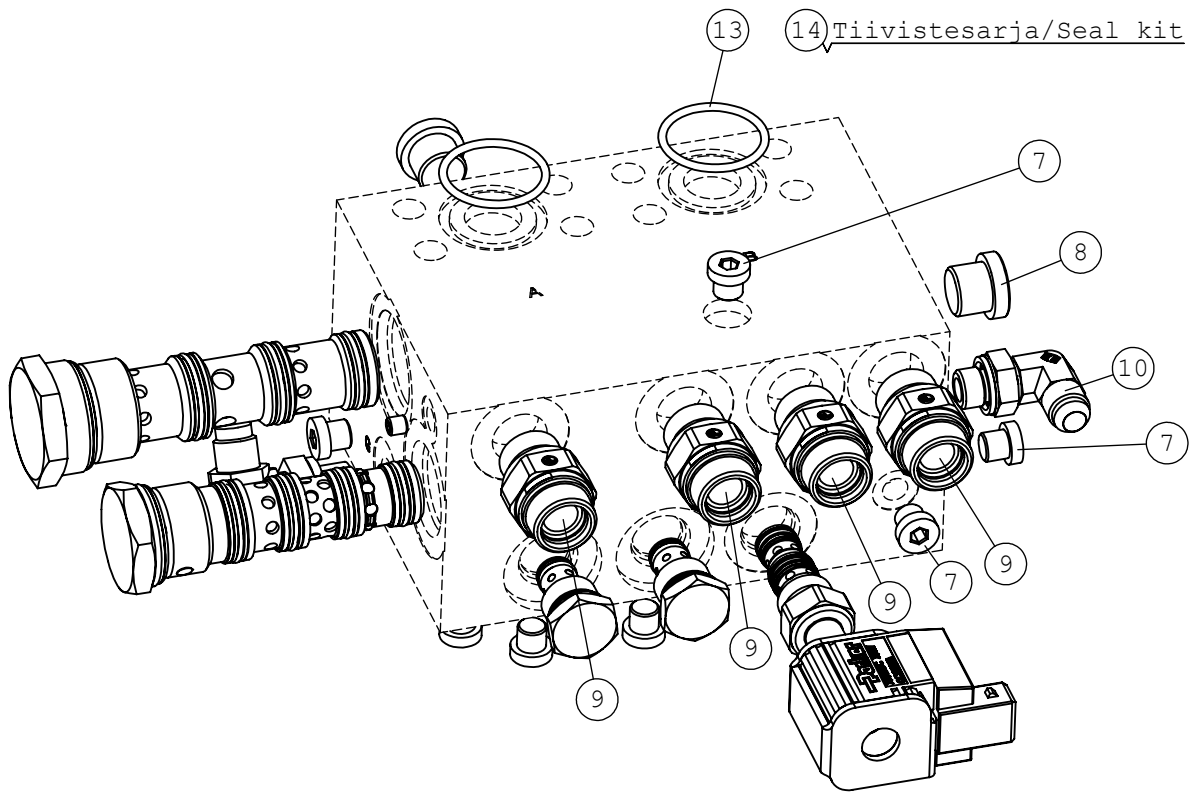
E03 fittings before 2022 week 26

A431829 HYDR. HOSES, DRIVE, 800 SER WITH ANTI-SL

REF	PART NO	QTY	DESCRIPTION	NOTES	PAGE
1	A421617	1	HYDRAULIC MANIFOLD, ANTI SLIP VALVE	E03 fittings before 2022 week 26	94
2	A421615	1	HYDRAULIC MANIFOLD DRIVE RELEASE &	E03 fittings before 2022 week 26	96
3	A421825	1	BANJO BOLT, HYDR. MANIFOLD		-
4	75112	2	O-RING NBR F 32,99*2,62 90SH		-
5	66361	1	HOSE BARB 45° R3/4"UK - 20MM		-
6	A37332	1	MOUNTING PLATE HYDRAULIC MANIFOLD, ASSEM		-
7	66348	8	BASIC FITTING EO-3 R3/4" - E03 F24 /2		-
8	A421741	1	HYDR. HOSE L=650		-
9	A421749	1	HYDR. HOSE L=620		-
10	A435939	1	HYDR. HOSE L=1700		-
11	A435940	1	HYDR. HOSE L=2100		-
12	A435949	1	HYDR. HOSE L=1370		-
13	A435947	1	HYDR. HOSE L=1400		-
14	A435943	1	HYDR. HOSE L=330		-
15	A421955	1	HYDR. HOSE L=630		-
16	64059	6	BASIC FITTING F40XS10-1/4		-
17	64041	9	BASIC FITTING F40XS10-3/8 /8		-
18	64344	1	T-FITTING BODY S40XS10-1/4		-
19	64743	1	REDUCER FITTING R1/2" - EDX 1/4"		-
20	64078	7	L-FITTING BODY R6XS10		-
21	64043	1	ELBOW FITTING 90° C6XS10		-
22	A415120	2	HYDR. HOSE L=750		-
23	A434553	1	HYDR. HOSE L=1420		-
24	A436991	2	HYDR. HOSE L=1350		-
25	A436993	1	HYDR. HOSE L=1650		-
26	A44472	1	HYDR. HOSE L=720 JIC10-JIC10 FLOATING BO		-
27	A410096	3	HYDR. HOSE L=450		-
28	A416511	1	HYDR. HOSE L=650		-
29	A410017	1	HYDR. HOSE L=400		-
30	A415127	1	HYDR. HOSE L=580		-
31	A416492	1	HYDR. HOSE L=600		-
32	A415115	1	HYDR. HOSE L=240		-
33	A410165	1	HYDR. HOSE L=300		-
34	A434555	1	HYDR. HOSE L=2200		-
35	A410094	1	HYDR. HOSE L=350		-
36	75122	8	HEXAGONAL HEAD SCREW M10*140 12.9 DIN912		-
37	A434424	8	SAFETY WASHER M10 3/8"		-

22.8.2023

E03 fittings before 2022 week 26

A421617 HYDRAULIC MANIFOLD, ANTI SLIP VALVE

HUOM!
 Nimike A421617 sisältää
 osat (2) - (13)
 Tiivistesarja (14) sisältää
 osien (2), (3), (4) ja (6)
 tiivisteet

NOTE!
 Item A421617 includes
 components (2) - (13)
 Seal kit (14) includes seals
 for components (2), (3), (4)
 and (6)

22.8.2023

E03 fittings before 2022 week 26

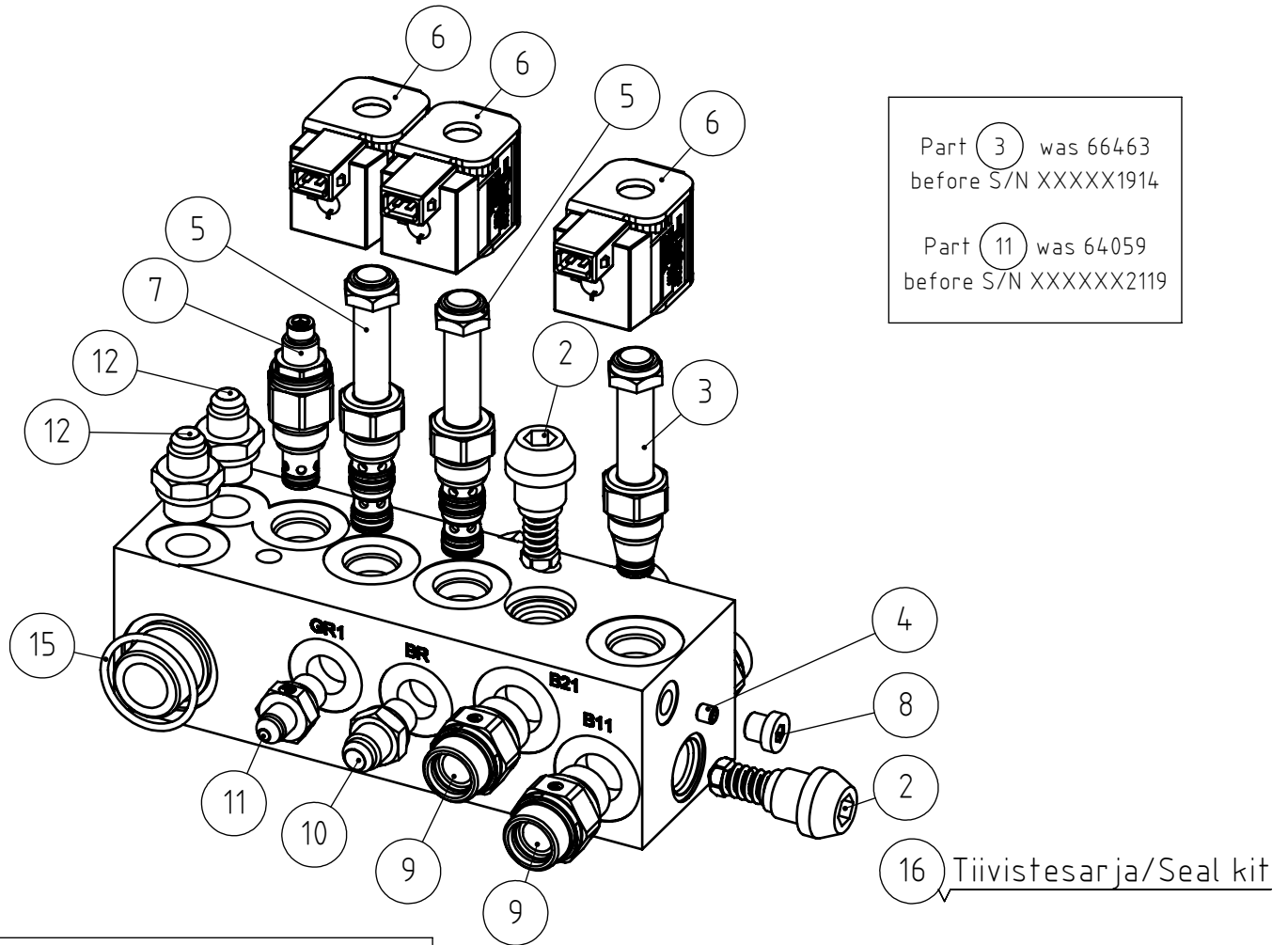
A421617 HYDRAULIC MANIFOLD, ANTI SLIP VALVE

REF	PART NO	QTY	DESCRIPTION	NOTES	PAGE
1	A421617	1	HYDRAULIC MANIFOLD, ANTI SLIP VALVE	E03 fittings before 2022 week 26	94
2	A428742	1	FLOW DIVIDER VALVE CARTRIDGE 420BAR		-
3	A428740	1	DIVERTER VALVE CARTRIDGE 420BAR		-
4	A428584	1	VALVE CARTRIDGE SPOOL VALVE 3/2		-
5	66452	1	SOLENOID 12VDC/19W		-
6	A428743	2	CHECK VALVE CARTRIDGE 420BAR		-
7	64407	7	HEXAGONAL PLUG R 1/8" WITH PACKING		-
8	74411	2	HEXAGONAL PLUG HF 3/8" HTUNG		-
9	66347	4	BASIC FITTING EO-3 R1/2" - EO3 F24 /2		-
10	64087	1	ELBOW FITTING 90 DEGR. /4#		-
11	64044	1	ELBOW FITTING 90° C40XS10-3/8 /8		-
12	A428739	1	FLOW RESTRICTOR M6/0,7MM		-
13	75113	2	O-RING NBR F 31,42*2,62 90SH		-
14	A428795	1	SEAL KIT HYDRAULIC MANIFOLD A421617		-

22.8.2023

E03 fittings before 2022 week 26

A421615 HYDRAULIC MANIFOLD DRIVE RELEASE &



Part (3) was 66463
before S/N XXXXX1914

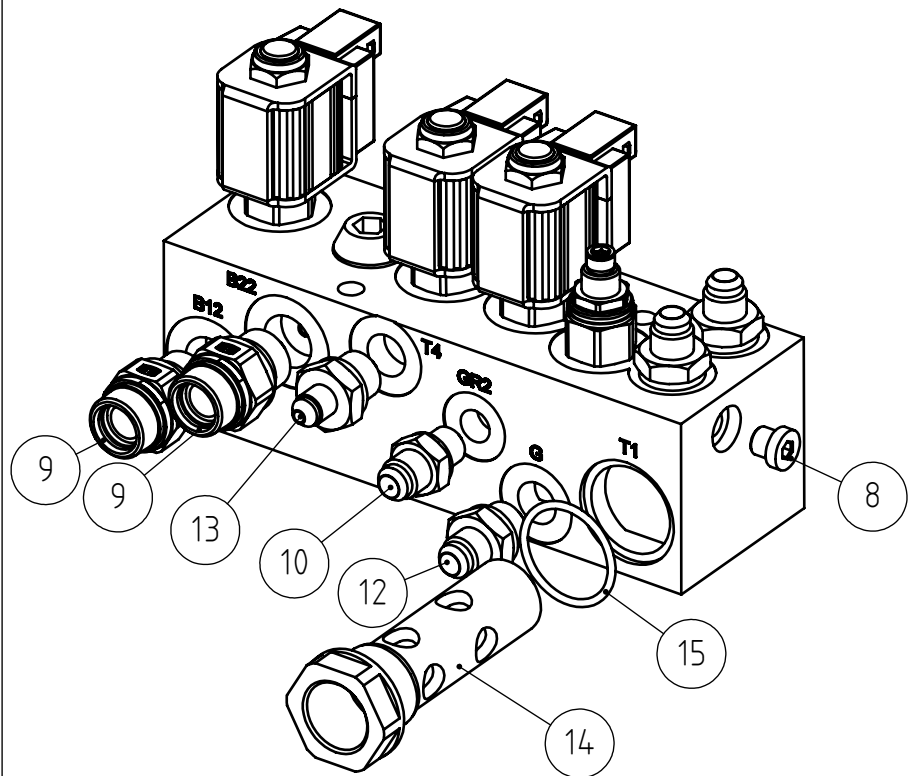
Part (11) was 64059
before S/N XXXXX2119

HUOM!
Nimike A421615 sisältää
osat (2) - (13)

Tiivistesarja (16) sisältää
osien (2), (3), (5) ja (7)
tiivisteet

NOTE!
Item A421615 includes
parts (2) - (13)

Seal kit (16) includes seals
for parts (2), (3), (5)
and (7)



22.8.2023

E03 fittings before 2022 week 26

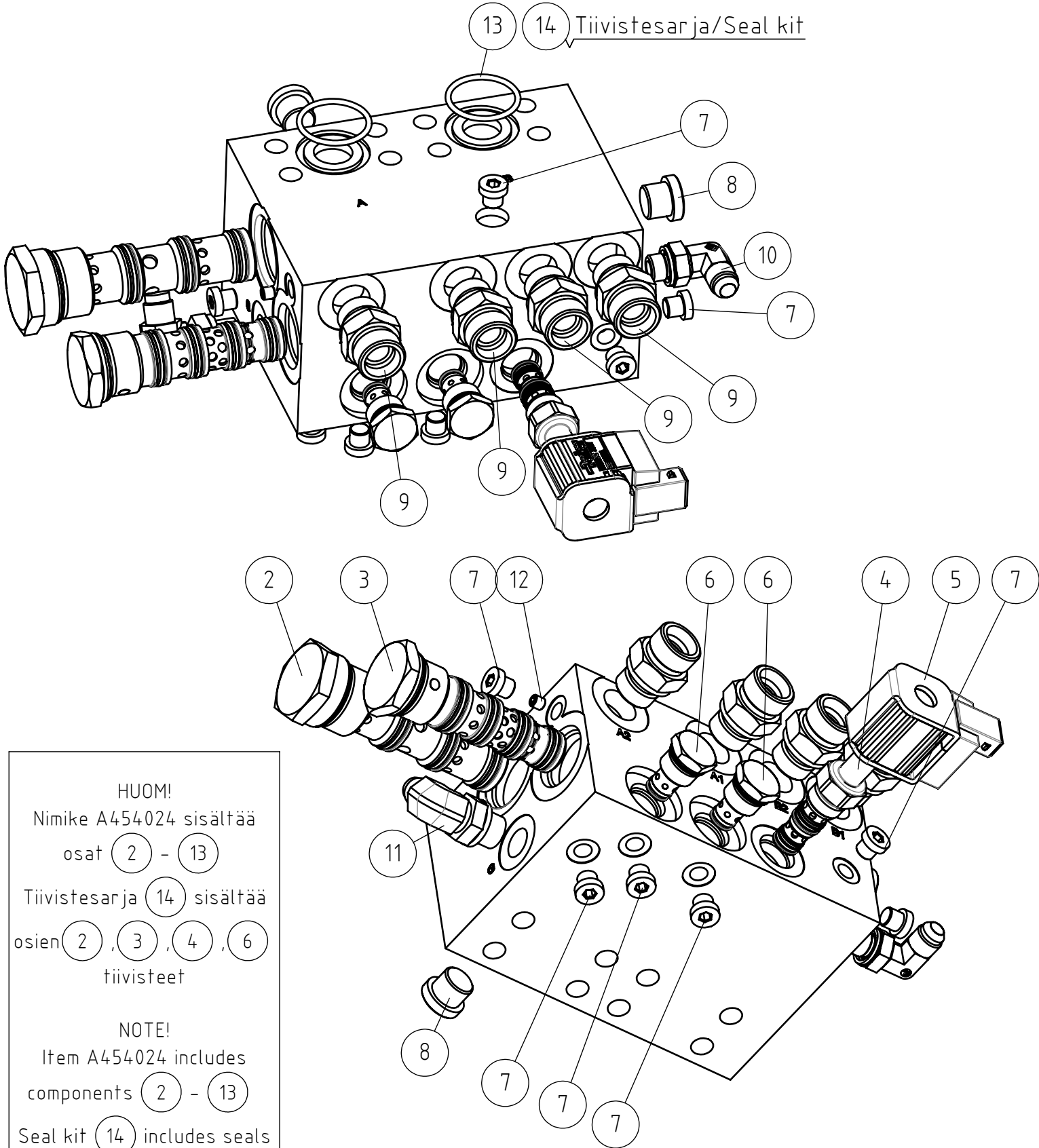
A421615 HYDRAULIC MANIFOLD DRIVE RELEASE &

REF	PART NO	QTY	DESCRIPTION	NOTES	PAGE
1	A421615	1	HYDRAULIC MANIFOLD DRIVE RELEASE &	E03 fittings before 2022 week 26	96
2	A428734	2	PRESSURE RELIEF VALVE CARTRIDGE 380BAR		-
3	A432309	1	VALVE CARTRIDGE DRIVE RELEASE OPTIDRIVE		-
4	A428738	1	FLOW RESTRICTOR M6/1,0MM		-
5	A428584	2	VALVE CARTRIDGE SPOOL VALVE 3/2		-
6	66452	3	SOLENOID 12VDC/19W		-
7	A428735	1	PRESSURE RELIEF VALVE CARTRIDGE 30BAR		-
8	64407	2	HEXAGONAL PLUG R 1/8" WITH PACKING		-
9	66347	4	BASIC FITTING EO-3 R1/2" - EO3 F24 /2		-
10	64059	2	BASIC FITTING F40XS10-1/4		-
11	64678	1	BASIC FITTING F40XS6-1/4"		-
12	64041	3	BASIC FITTING F40XS10-3/8 /8		-
13	64313	1	BASIC FITTING F40XS6-3/8"		-
14	A421825	1	BANJO BOLT, HYDR. MANIFOLD		-
15	75112	2	O-RING NBR F 32,99*2,62 90SH		-
16	A428794	1	SEAL KIT HYDRAULIC MANIFOLD A421615		-

22.8.2023

DKOS fittings from 2022 week 26

A454024 HYDRAULIC MANIFOLD ANTI SLIP VALVE



HUOM!
 Nimike A454024 sisältää osat (2) - (13)
 Tiivistesarja (14) sisältää osien (2), (3), (4), (6) tiivisteet

NOTE!
 Item A454024 includes components (2) - (13)
 Seal kit (14) includes seals for components (2), (3), (4), (6)

22.8.2023

DKOS fittings from 2022 week 26

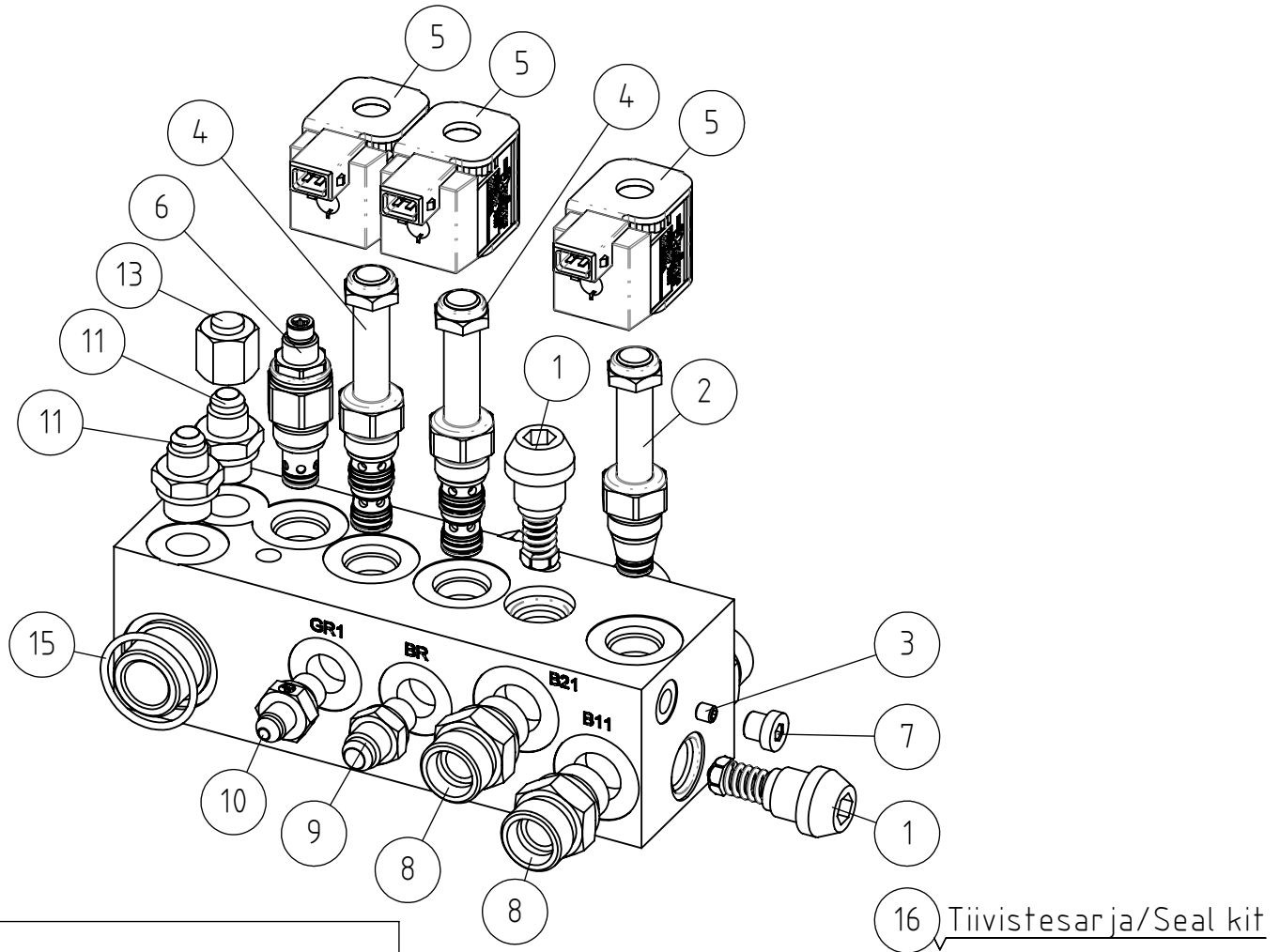
A454024 HYDRAULIC MANIFOLD ANTI SLIP VALVE

REF	PART NO	QTY	DESCRIPTION	NOTES	PAGE
1	A454024	1	HYDRAULIC MANIFOLD ANTI SLIP VALVE	DKOS fittings from 2022 week 26	98
2	A428742	1	FLOW DIVIDER VALVE CARTRIDGE 420BAR		-
3	A428740	1	DIVERTER VALVE CARTRIDGE 420BAR		-
4	A428584	1	VALVE CARTRIDGE SPOOL VALVE 3/2		-
5	66452	1	SOLENOID 12VDC/19W		-
6	A428743	2	CHECK VALVE CARTRIDGE 420BAR		-
7	64407	7	HEXAGONAL PLUG R 1/8" WITH PACKING		-
8	74411	2	HEXAGONAL PLUG HF 3/8" HTUNG		-
9	A449892	4	BASIC FITTING G1/2" M24*1,5		-
10	64087	1	ELBOW FITTING 90 DEGR. /4#		-
11	64044	1	ELBOW FITTING 90° C40XS10-3/8 /8		-
12	A428739	1	FLOW RESTRICTOR M6/0,7MM		-
13	75113	2	O-RING NBR F 31,42*2,62 90SH		-
14	A428795	1	SEAL KIT HYDRAULIC MANIFOLD A421617		-

22.8.2023

DKOS fittings from 2022 week 26

A454022 HYDRAULIC MANIFOLD 2-SPEED

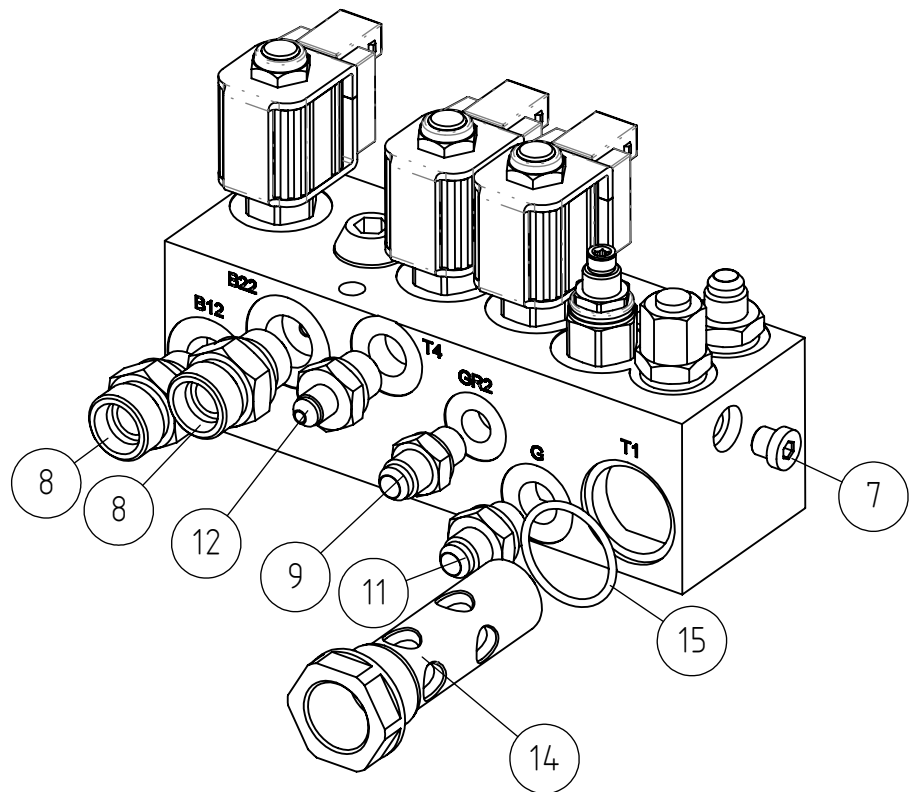


HUOM!
 Nimike A454022 sisältää osat (1) - (13)

Tiivistesarja (16) sisältää osien (1), (2), (4) ja (6) tiivisteet

NOTE!
 Item A454022 includes parts (1) - (13)

Seal kit (16) includes seals for parts (1), (2), (4) and (6)



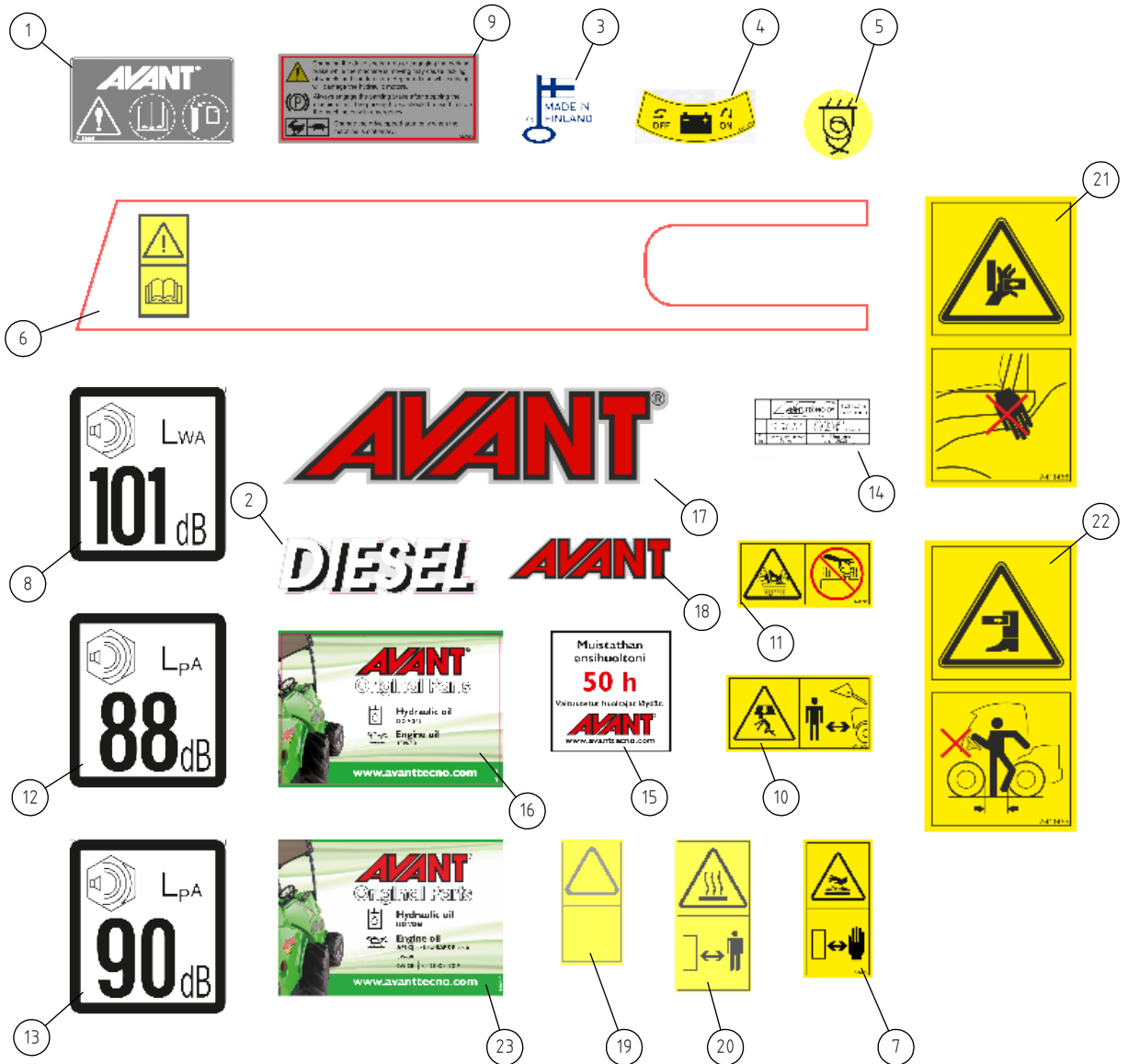
22.8.2023

DKOS fittings from 2022 week 26

A454022 HYDRAULIC MANIFOLD 2-SPEED

REF	PART NO	QTY	DESCRIPTION	NOTES	PAGE
1	A428734	2	PRESSURE RELIEF VALVE CARTRIDGE 380BAR		-
2	A432309	1	VALVE CARTRIDGE DRIVE RELEASE OPTIDRIVE		-
3	A428738	1	FLOW RESTRICTOR M6/1,0MM		-
4	A428584	2	VALVE CARTRIDGE SPOOL VALVE 3/2		-
5	66452	3	SOLENOID 12VDC/19W		-
6	A428735	1	PRESSURE RELIEF VALVE CARTRIDGE 30BAR		-
7	64407	2	HEXAGONAL PLUG R 1/8" WITH PACKING		-
8	A449892	4	BASIC FITTING G1/2" M24*1,5		-
9	64059	2	BASIC FITTING F40XS10-1/4		-
10	64678	1	BASIC FITTING F40XS6-1/4"		-
11	64041	3	BASIC FITTING F40XS10-3/8 /8		-
12	64313	1	BASIC FITTING F40XS6-3/8"		-
13	64232	1	FITTING HEAD FNTXS10		-
14	A421825	1	BANJO BOLT, HYDR. MANIFOLD		-
15	75112	2	O-RING NBR F 32,99*2,62 90SH		-
16	A428794	1	SEAL KIT HYDRAULIC MANIFOLD A421615		-

A428313 DECAL KIT 400-800 SERIES



22.8.2023

A428313 DECAL KIT 400-800 SERIES

REF	PART NO	QTY	DESCRIPTION	NOTES	PAGE
1	A418695	1	DECAL OPERATORS MANUAL BOX		-
2	A43594	1	DECAL "DIESEL" 32*115 BLACK-WHITE/CLEAR		-
3	A429424	1	DECAL "MADE IN FINLAND"		-
4	A417404	1	DECAL BATTERY DISCONNECT SWITCH		-
5	A414283	4	DECAL PICTOGRAM TIE DOWN POINT		-
6	A414690	1	DECAL FOOTWELL "ALWAYS PERFORM A		-
7	A417270	1	DECAL WARNING HOT SURFACE		-
8	A411047	1	DECAL "LWA 101" 90*100 BLACK/WHITE		-
9	A420357	1	DECAL FIN JARRU/VAIHDE		-
10	A417273	1	DECAL PICTOGR NEVER GO UNDER LIFTED BOOM		-
11	A417272	1	DECAL WARNING RADIATOR PRESSURE		-
12	A43600	1	DECAL LPA88 90*100 BLACK/WHITE		-
13	A411217	1	DECAL "LPA 90" 90*100 BLACK/WHITE		-
14	A49517	1	TYPE PLATE A48906 FOPS 39*90		-
15	A410924	1	DECAL ENSIHUOLTO		-
16	A415780	1	DECAL AVANT HYDRAULIC OIL/ENGINE OIL		-
17	65024	1	DECAL AVANT® EMBOSSED 56*225MM RED		-
18	65649	1	DECAL AVANT® EMBOSSED 25*95MM		-
19	A417271	1	DECAL PICTOGRAM RADIATOR STOP ENGINE		-
20	A414244	1	DECAL, WARNING HOT SURFACES		-
21	A411456	1	DECAL PICTOGRAM CRUSHING HAZ HANDS ARTIC		-
22	A411455	1	DECAL PICTOGRAM CRUSHING HAZARD LEGS		-
23	A420043	1	DECAL "HYDRAULIC OIL ENGINE OIL"		-

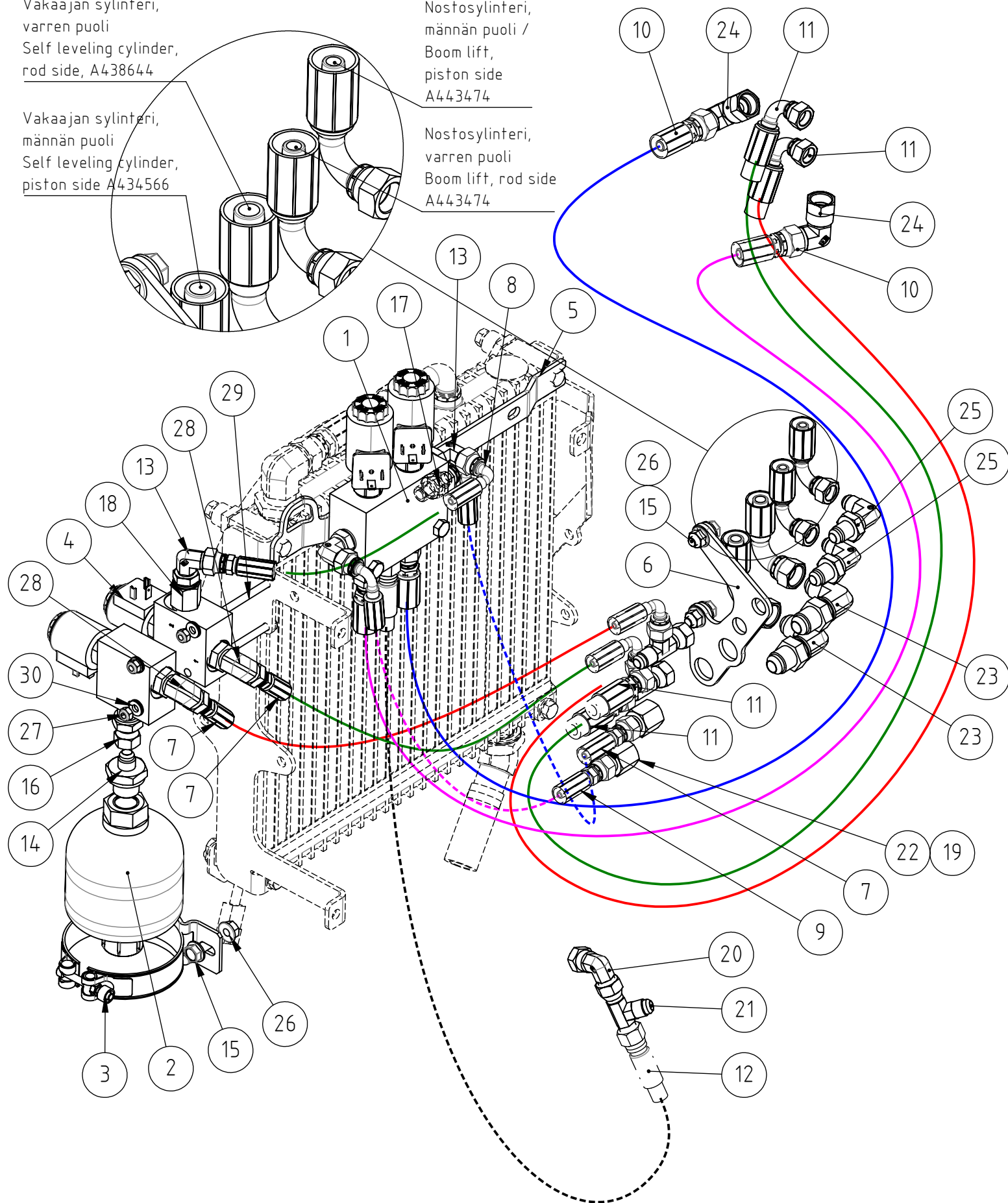
A434866 SMOOTH DRIVE - BOOM SUSPENSION 800 SERIE

Vakaajan sylinteri,
varren puoli
Self leveling cylinder,
rod side, A438644

Vakaajan sylinteri,
männän puoli
Self leveling cylinder,
piston side A434566

Nostosylinteri,
männän puoli /
Boom lift,
piston side
A443474

Nostosylinteri,
varren puoli
Boom lift, rod side
A443474



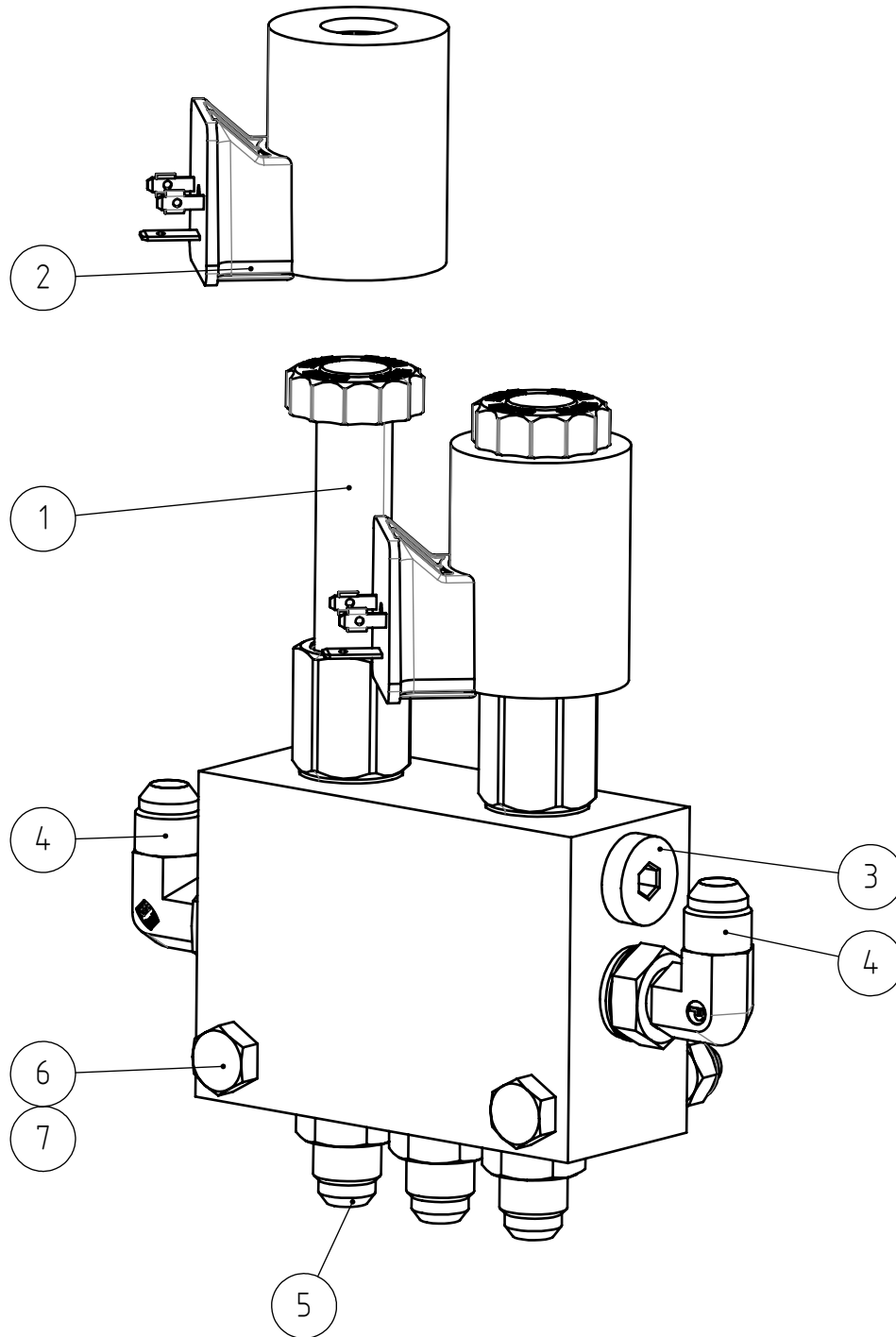
22.8.2023

A434866 SMOOTH DRIVE - BOOM SUSPENSION 800 SERIE

REF	PART NO	QTY	DESCRIPTION	NOTES	PAGE
1	A433694	1	VALVE ASSEMBLY BOOM FLOAT/SELF LEVELLING		106
1.1	A433695	2	VALVE CARTRIDGE 3/2 350BAR 30 L/MIN		-
1.2	A433696	2	SOLENOID 12VDC/25W + DIODE		-
2	65732	1	ACCUMULATOR 0,32L G1/2"		-
3	65733	1	CLAMP HYRAC 92-95/96ST		-
4	64676	2	SOLENOID VALVE WK08W-01-SB3-N-12DG		-
5	A437481	1	MOUNTING BRACKET VALVES		-
6	A437502	1	BRACKET HOSES ACCUMULATOR		-
7	A438352	3	HYDR. HOSE L=410		-
8	A415115	1	HYDR. HOSE L=240		-
9	A439116	1	HYDR. HOSE L=500		-
10	A439119	2	HYDR. HOSE L=1020		-
11	A47907	2	HYDR. HOSE L=980 2LW-06		-
12	A46264	1	HYDRAULIC HOSE L=1160 1LW-04 JIC10		-
13	64087	2	ELBOW FITTING 90 DEGR. /4#		-
14	64040	1	BASIC FITTING F40XS10-1/2 /2		-
15	A429201	4	HEXAGONAL SERRATED SCREW M8*20 WITH FLAN		-
16	65042	1	CONNECTOR NIPPLE F64XS10-3/8"		-
17	64059	1	BASIC FITTING F40XS10-1/4		-
18	64324	1	REDUCER FITTING RI 3/8"-EDX 1/4"		-
19	64051	2	REDUCER FITTING TRTXS12-10		-
20	64043	1	ELBOW FITTING 90° C6XS10		-
21	64078	3	L-FITTING BODY R6XS10		-
22	64052	2	BINDING NUT BTXS12		-
23	64863	2	LEAD-THROUGH ELBOW FITTING WETX-WLNS 12		-
24	64134	2	ELBOW FITTING 90 DEGR. C6XS12		-
25	66368	2	LEAD-THROUGH ELBOW FITTING WETX-WLNS10		-
26	74782	4	HEXAGONAL NUT M8 WITH FLANGE		-
27	72318	3	HEXAGONAL NUT M 6 DIN 985 NYLOC		-
28	64044	2	ELBOW FITTING 90° C40XS10-3/8 /8		-
29	72127	2	HEXAGONAL SCREW M6*90 DIN 933		-
30	75101	3	SPACER NORDLOCK M6 NL6SP, PAIR		-
31	A437025	1	WIRE HARNESS SMOOTH DRIVE & 2-PUMP		-
32	A438449	1	WIRE HARNESS SMOOTH DRIVE - VALVE		-
33	A437190	1	SWITCH SMOOTH DRIVE		-

22.8.2023

A433694 VALVE ASSEMBLY BOOM FLOAT/SELF LEVELLING



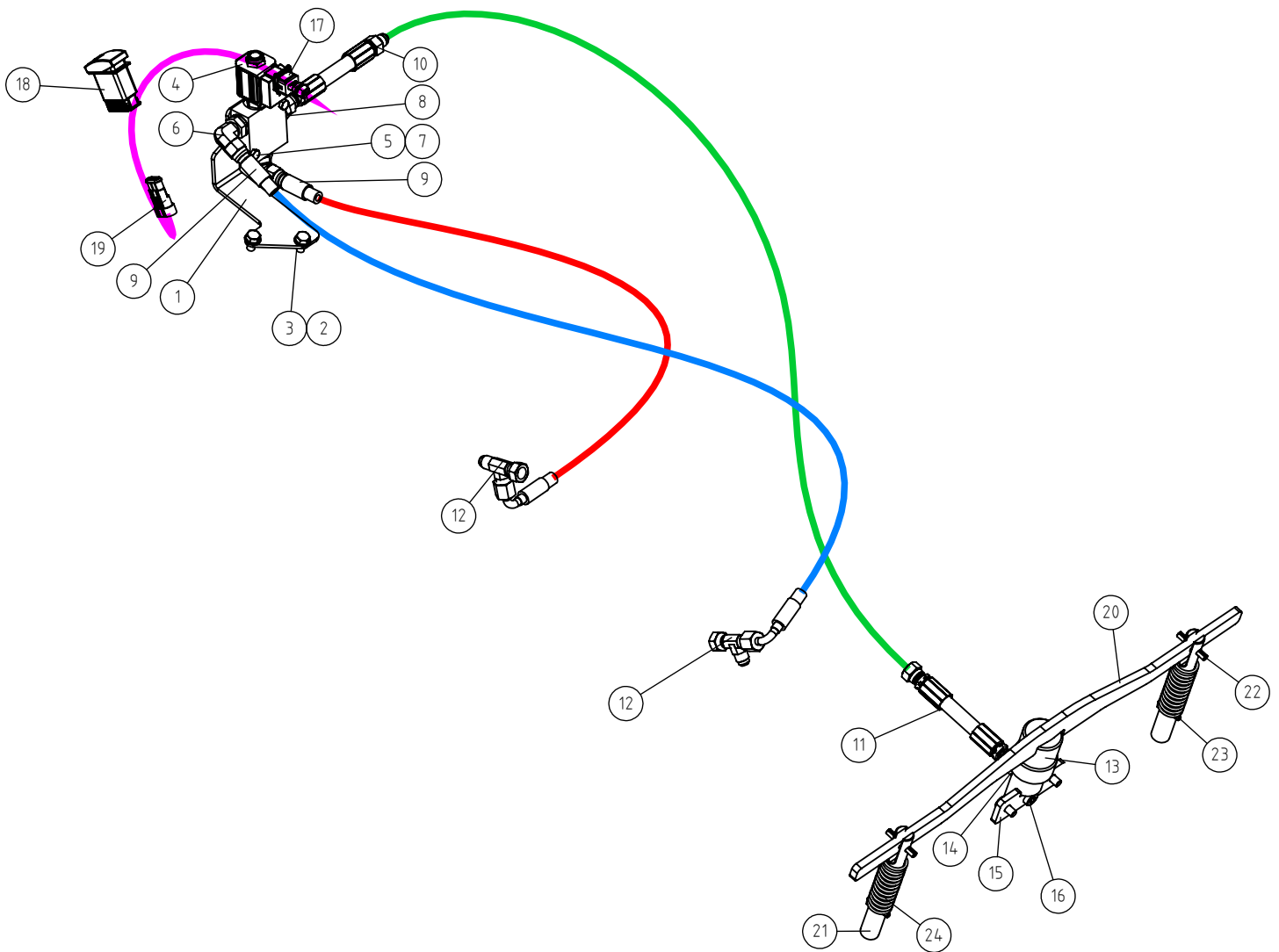
22.8.2023

A433694 VALVE ASSEMBLY BOOM FLOAT/SELF LEVELLING

REF	PART NO	QTY	DESCRIPTION	NOTES	PAGE
1	A433695	2	VALVE CARTRIDGE 3/2 350BAR 30 L/MIN		-
1.1	A443091	1	SEAL KIT VALVE CARTRIDGE 990411007 T-11A		-
2	A433696	2	SOLENOID 12VDC/25W + DIODE		-
3	64700	1	HEXAGONAL PLUG R 1/4"		-
4	64087	2	ELBOW FITTING 90 DEGR. /4#		-
5	64059	3	BASIC FITTING F40XS10-1/4		-
6	72139	2	HEXAGONAL SCREW M 8*60 DIN 931		-
7	72320	2	HEXAGONAL NUT M8 NYLOC DIN 985		-
-	A433695	2	VALVE CARTRIDGE 3/2 350BAR 30 L/MIN		-
-	A433696	2	SOLENOID 12VDC/25W + DIODE		-

22.8.2023

A430622 HYDRAULIC ATTACHMENT COUPLING PLATE



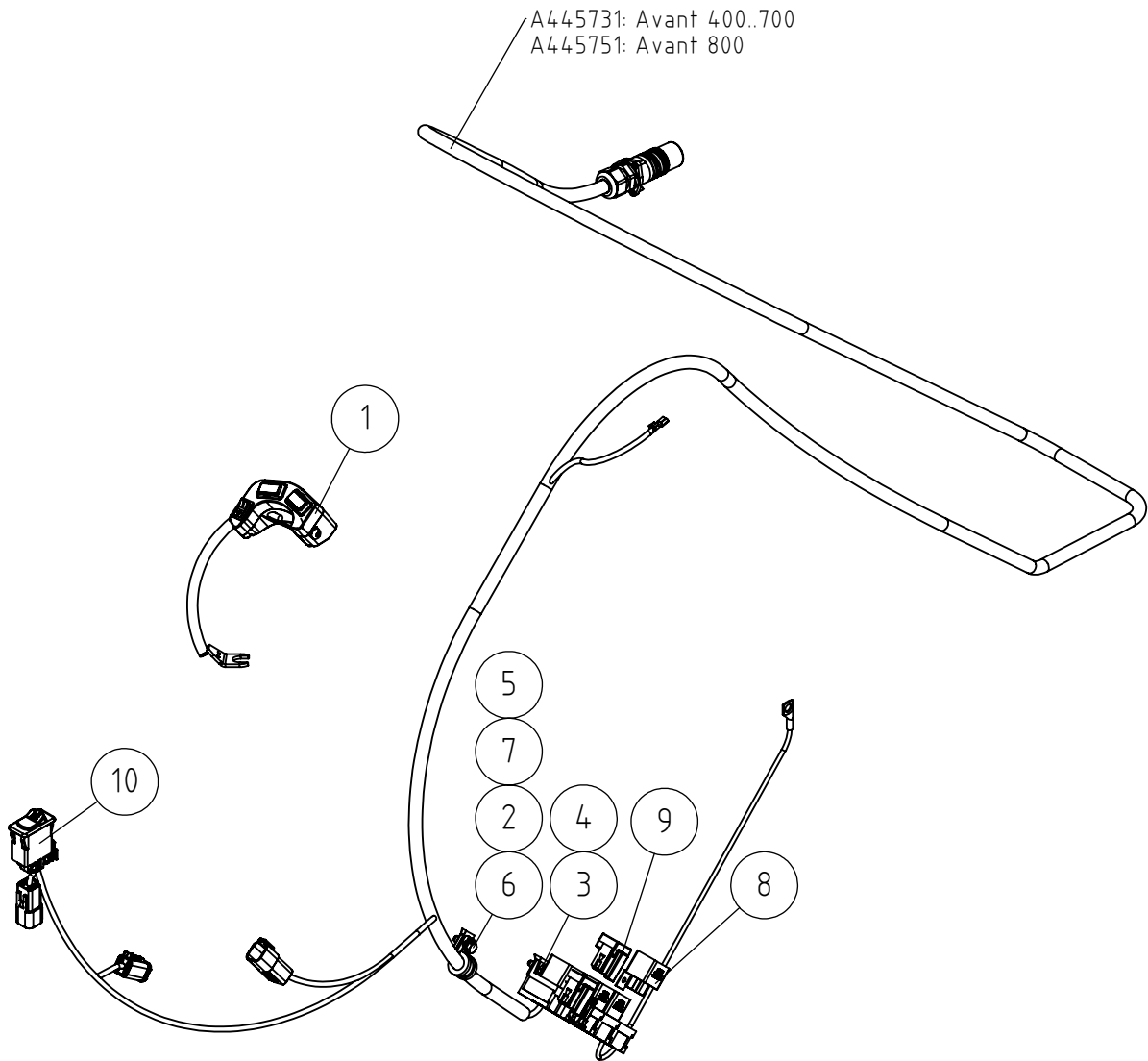
22.8.2023

A430622 HYDRAULIC ATTACHMENT COUPLING PLATE

REF	PART NO	QTY	DESCRIPTION	NOTES	PAGE
1	A430329	1	MOUNTING BRACKET VALVE, HYDR. QUICK ATTA		-
2	73122	2	WASHER M8 A8,4 DIN 125 ZN		-
3	73039	4	HEXAGONAL SCREW M 8*16 DIN 933 ZN		-
4	A432585	1	SOLENOID VALVE 3/2		-
5	74497	2	HEXAGONAL SCREW M6* 40 DIN 931		-
6	64044	2	ELBOW FITTING 90° C40XS10-3/8 /8		-
7	72318	2	HEXAGONAL NUT M 6 DIN 985 NYLOC		-
8	64041	1	BASIC FITTING F40XS10-3/8 /8		-
9	A424830	2	HYDR. HOSE L=1000		-
10	A430210	1	HYDR. HOSE L=5600		-
11	A430203	1	HYDR. HOSE L=400		-
12	64078	2	L-FITTING BODY R6XS10		-
13	A425700	1	HYDRAULIC CYLINDER F35/F35-30		-
14	64059	1	BASIC FITTING F40XS10-1/4		-
15	A424829	1	MOUNTING BRACKET CYLINDER HYD QUICK ATTA		-
16	74752	1	HEXAGONAL HEAD SCREW M10*20 DIN 7984 ZN		-
17	A430651	1	WIRE HARNESS HYDR. QUICK ATTACH PLATE		-
18	A430996	1	CONTROL SWITCH, HYDR ATTACHMENT COUPLING		-
19	A431924	1	WIRE CONTROL SWITCH, HYDR ATTACHM COUPL		-
20	A424886	1	ROD HYDR. ATTACHMENT COUPLING		-
21	A410803	2	LOCKING PIN F20, HYDR. ATTACHM COUPLING		-
22	71793	2	SPRING COTTER PIN 6 * 40		-
23	73661	2	SPRING PIN 5*30 DIN 1481		-
24	A430549	2	COMPRESSION SPRING		-

22.8.2023

A36878 ATTACHMENT CONTROL SWITCH PACK



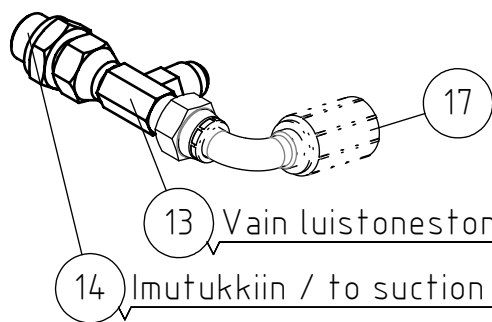
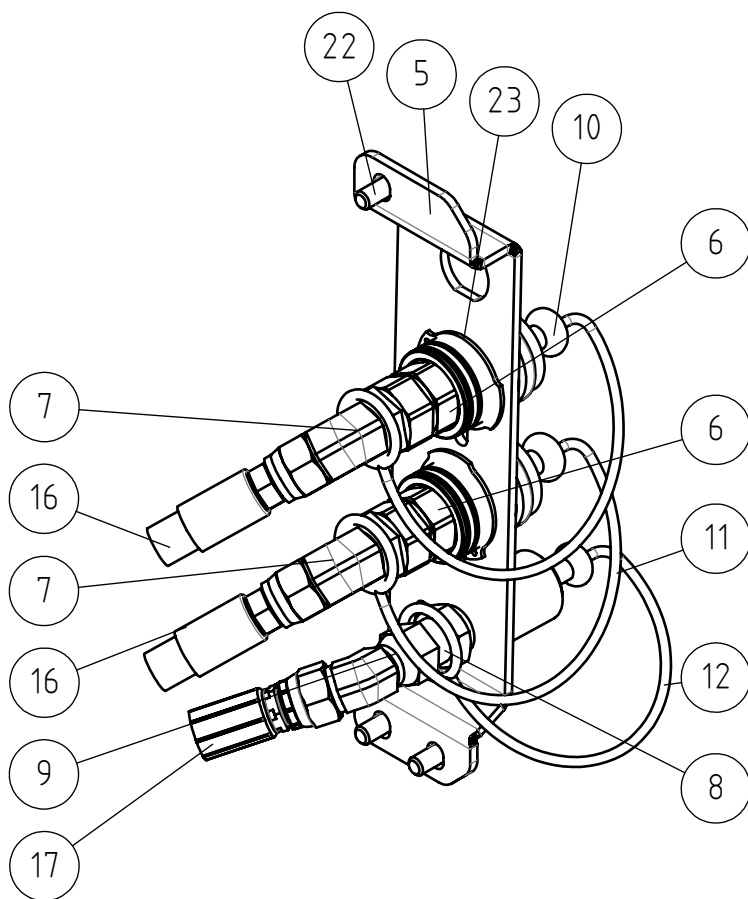
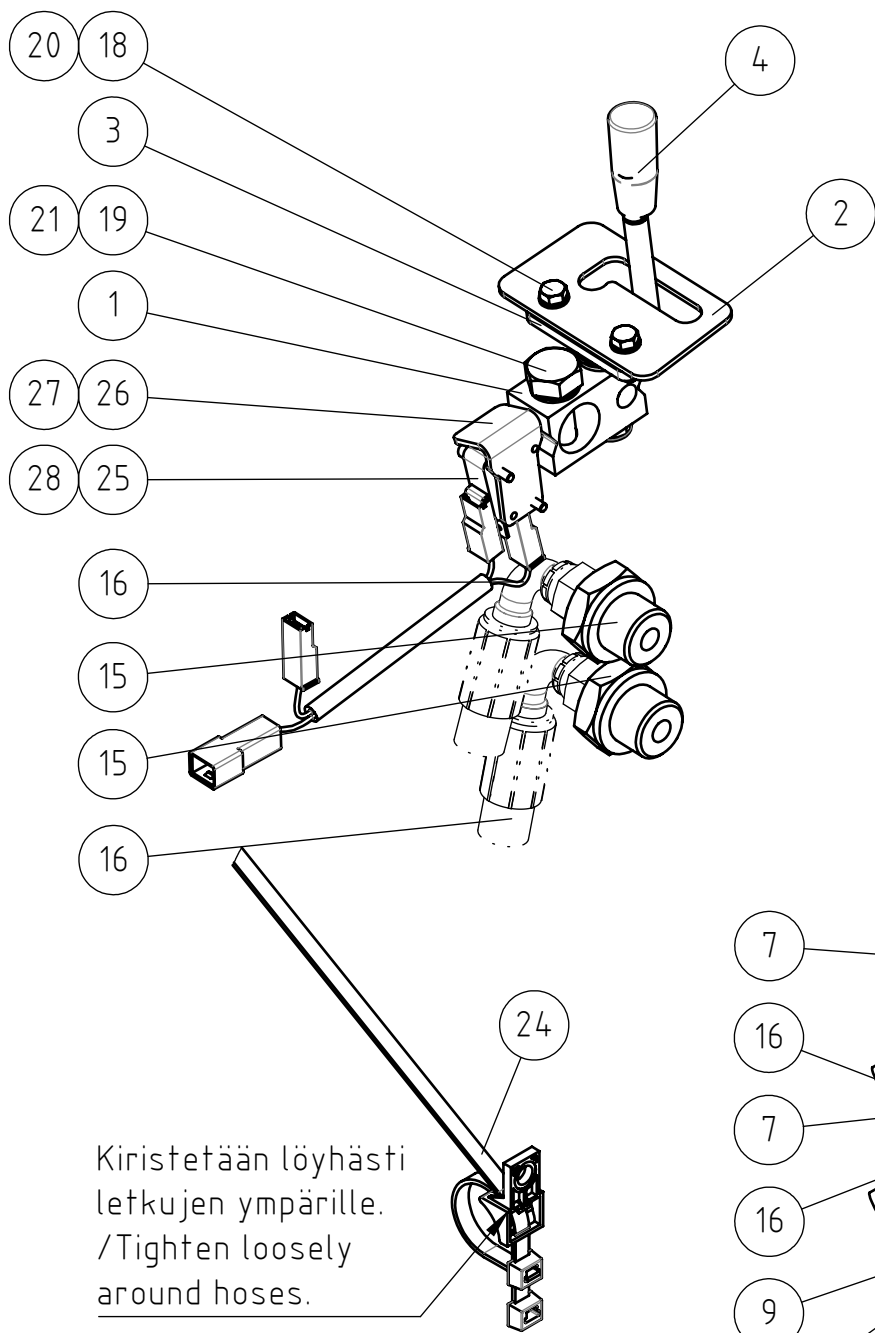
22.8.2023

A36878 ATTACHMENT CONTROL SWITCH PACK

REF	PART NO	QTY	DESCRIPTION	NOTES	PAGE
1	A34716	1	SWITCH PACK		-
1.1	65431	1	ROCKER SWITCH 0-1, BLACK, 180.1146		-
1.2	65408	2	ROCKER SWITCH, BLACK, JOYSTICK		-
2	71680	1	WASHER M6 DIN 125		-
3	72110	2	HEX. SCREW M5*16 DIN 933		-
4	75172	2	SPEED NUT M5 FOR 0.5-4.0 MM PLATE		-
5	74807	1	SPEED NUT M6, FOR 0.5-4.0 MM PLATE		-
6	72118	1	HEXAGONAL SCREW M6*20 DIN 933		-
7	74837	1	PIPE CLAMP F14 MM		-
8	64679	5	RELAY 12V 20/30A		-
9	A437313	2	DIODE 4A 600V WITH CONNECTOR		-
10	A437343	1	ROCKER SWITCH OPTICONTROL		-
11	A443240	1	WIRE HARNESS OPTICONTROL		-
12	A445731	1	CONNECTING CABLE OPTICONTROL L=3100		-
13	A445751	1	CONNECTING CABLE OPTICONTROL L=3800		-

22.8.2023

A434872 AUX. HYDR. OUTLET REAR DOUBLE ACTING 800



13 Vain luistoneston kanssa/Only with anti-slip

14 Imutukkiin / to suction manifold

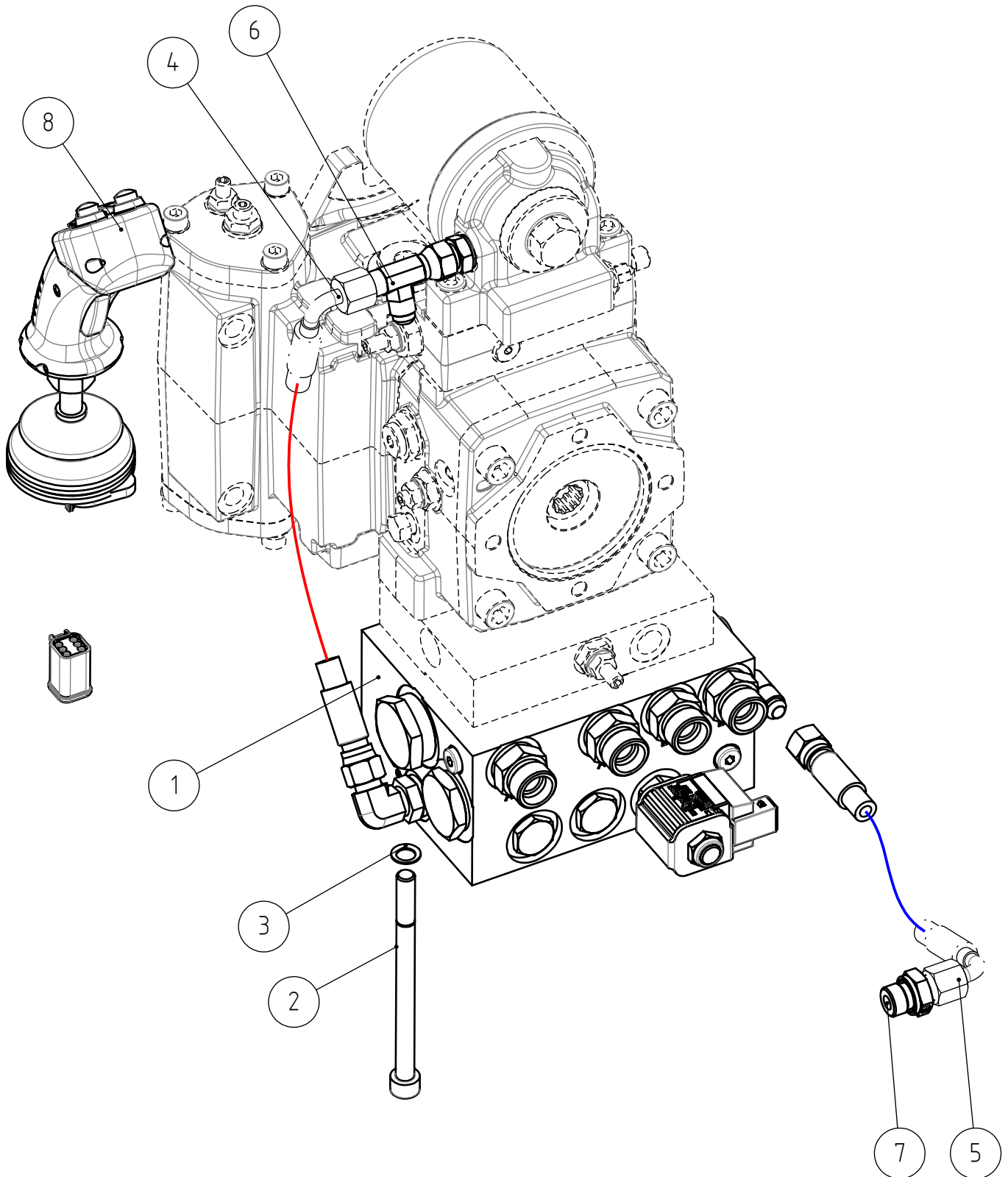
22.8.2023

A434872 AUX. HYDR. OUTLET REAR DOUBLE ACTING 800

REF	PART NO	QTY	DESCRIPTION	NOTES	PAGE
1	A436758	1	CONTROL LEVER REAR AUX. HYDRAULICS,		-
2	A410901	1	LOCKING PLATE, CONTROL LEVER		-
3	A48360	1	LOCKING PIECE		-
4	74761	1	KNOB, CONTROL LEVER		-
5	A435340	1	MOUNTING BRACKET QUICK COUPLERS REAR		-
6	A444063	2	QUICK COUPLER 1/2" (FEMALE)		-
7	65275	2	ELBOW FITTING 45 DEGR. V40XS12-1/2		-
8	64189	1	QUICK COUPLING MALE UNION 1/2" 4V14-T5X4		-
9	64884	1	ELBOW FITTING 45 DEGR. V6SX12		-
10	65566	1	RUBBER PLUG BLUE 1/2" , QUICK COUPLING		-
11	65133	1	RUBBER COVER, RED, QUICK COUPLER		-
12	73753	1	COVER 1/2" TO MALE QUICK COUPLER		-
13	64078	1	L-FITTING BODY R6XS10		-
14	64041	1	BASIC FITTING F40XS10-3/8 /8		-
15	64040	2	BASIC FITTING F40XS10-1/2 /2		-
16	A47918	2	HYDR. HOSE L=3400		-
17	A429507	1	HYDR. HOSE L=1600		-
18	72110	2	HEX. SCREW M5*16 DIN 933		-
19	72151	1	HEXAGONAL SCREW M10*30 DIN 933 ZN		-
20	74448	2	WASHER M5 A5,3 DIN 125 ZN		-
21	74531	1	SPACER NORDLOCK M10, PAIR		-
22	A442270	3	THREAD-FORMING SCREW M8*16 DIN 7500C		-
23	74769	4	SEEGER RING A38*1,75 DIN 471		-
24	A442641	1	CABLE TIE 7,6*390 M8 BLACK		-
25	64504	1	MICROSWITCH		-
26	A449831	1	TIGHTENING PLATE MICROSWITCH		-
27	A435740	2	HEXAGONAL HEAD SCREW M3*20 DIN 912		-
28	A459538	1	WIRE HARNESS, REAR HYDR. OUTLET SENSOR		-

22.8.2023

A434868 ANTI SLIP VALVE 800 SERIES OPTIDRIVE



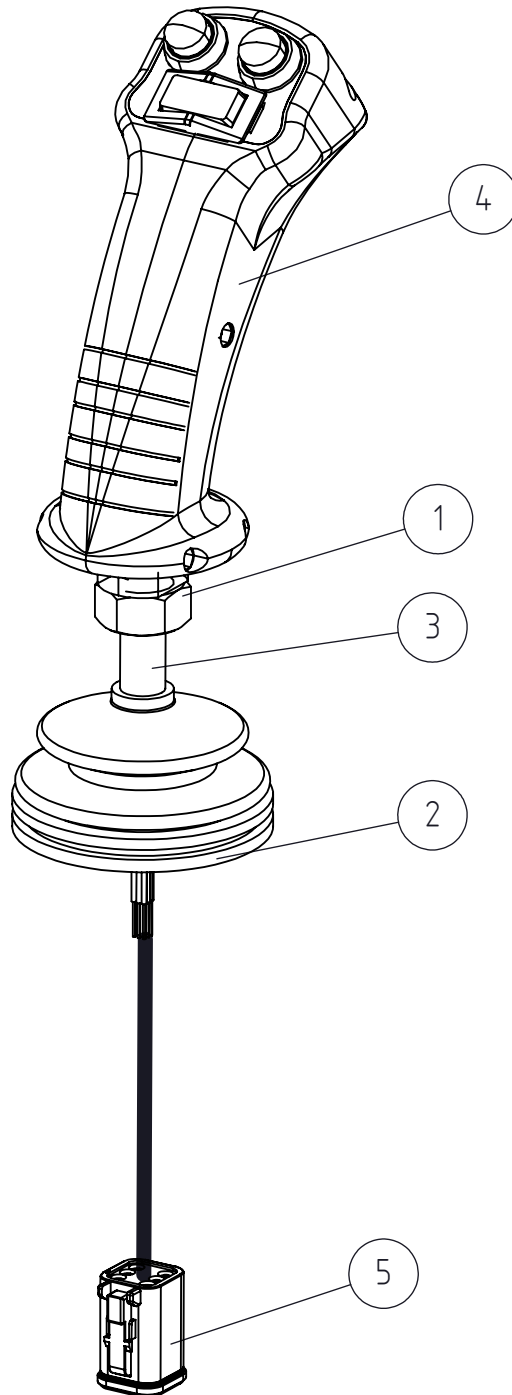
22.8.2023

A434868 ANTI SLIP VALVE 800 SERIES OPTIDRIVE

REF	PART NO	QTY	DESCRIPTION	NOTES	PAGE
1	A454024	1	HYDRAULIC MANIFOLD ANTI SLIP VALVE	DKOS fittings from 2022 week 26	98
2	75122	8	HEXAGONAL HEAD SCREW M10*140 12.9 DIN912		-
3	A434424	8	SAFETY WASHER M10 3/8"		-
4	A410094	1	HYDR. HOSE L=350		-
5	A410096	1	HYDR. HOSE L=450		-
6	64078	1	L-FITTING BODY R6XS10		-
7	64041	1	BASIC FITTING F40XS10-3/8 /8		-
8	A435400	1	JOYSTICK 8 FUNCTION WITH ANTI SLIP		116
8.1	65406	1	PUSHBUTTON, RED, AUX. HYDR. JOYSTICK		-
8.2	65407	1	PUSHBUTTON, BLUE, JOYSTICK, AUX. HYDR.		-
8.3	65408	1	ROCKER SWITCH, BLACK, JOYSTICK		-

22.8.2023

A435400 JOYSTICK 8 FUNCTION WITH ANTI SLIP



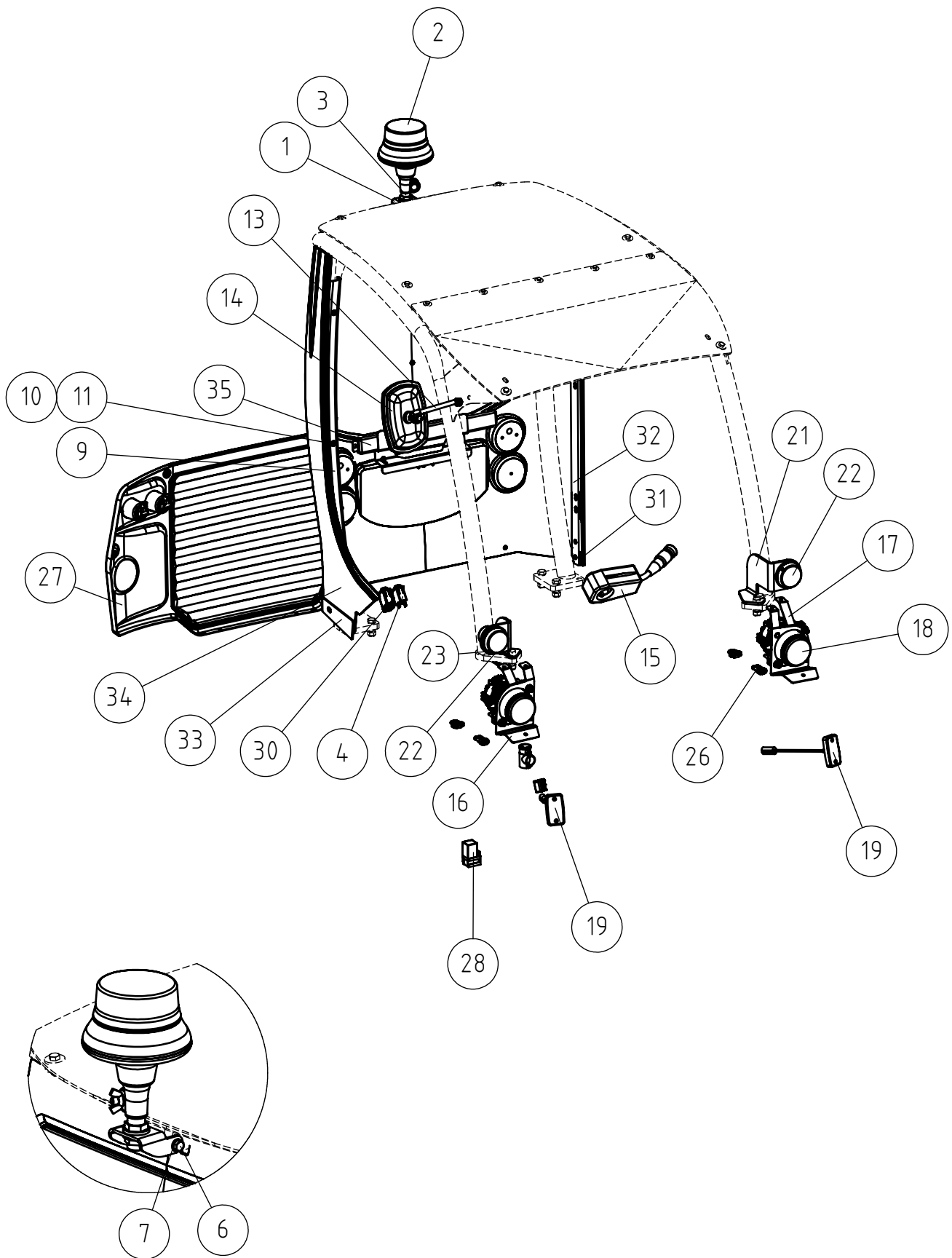
22.8.2023

A435400 JOYSTICK 8 FUNCTION WITH ANTI SLIP

REF	PART NO	QTY	DESCRIPTION	NOTES	PAGE
1	74676	1	HEXAGONAL NUT M 14*1,5 DIN 934 ZN		-
2	74327	1	RUBBER COVER, CONTROL LEVER, F12/56*40		-
3	A410614	1	BRACKET ROD, CONTROL LEVER		-
4	65262	1	JOYSTICK HANDLE 8-FUNC WITH ANTI SLIP SW		-
5	A426057	1	CONNECTOR PLUG DT06-6S DEUTSCH		-
-	65406	1	PUSHBUTTON, RED, AUX. HYDR. JOYSTICK		-
-	65407	1	PUSHBUTTON, BLUE, JOYSTICK, AUX. HYDR.		-
-	65408	1	ROCKER SWITCH, BLACK, JOYSTICK		-

22.8.2023

A433228 ROAD TRAFFIC KIT 800 SERIES ROPS STAGE V



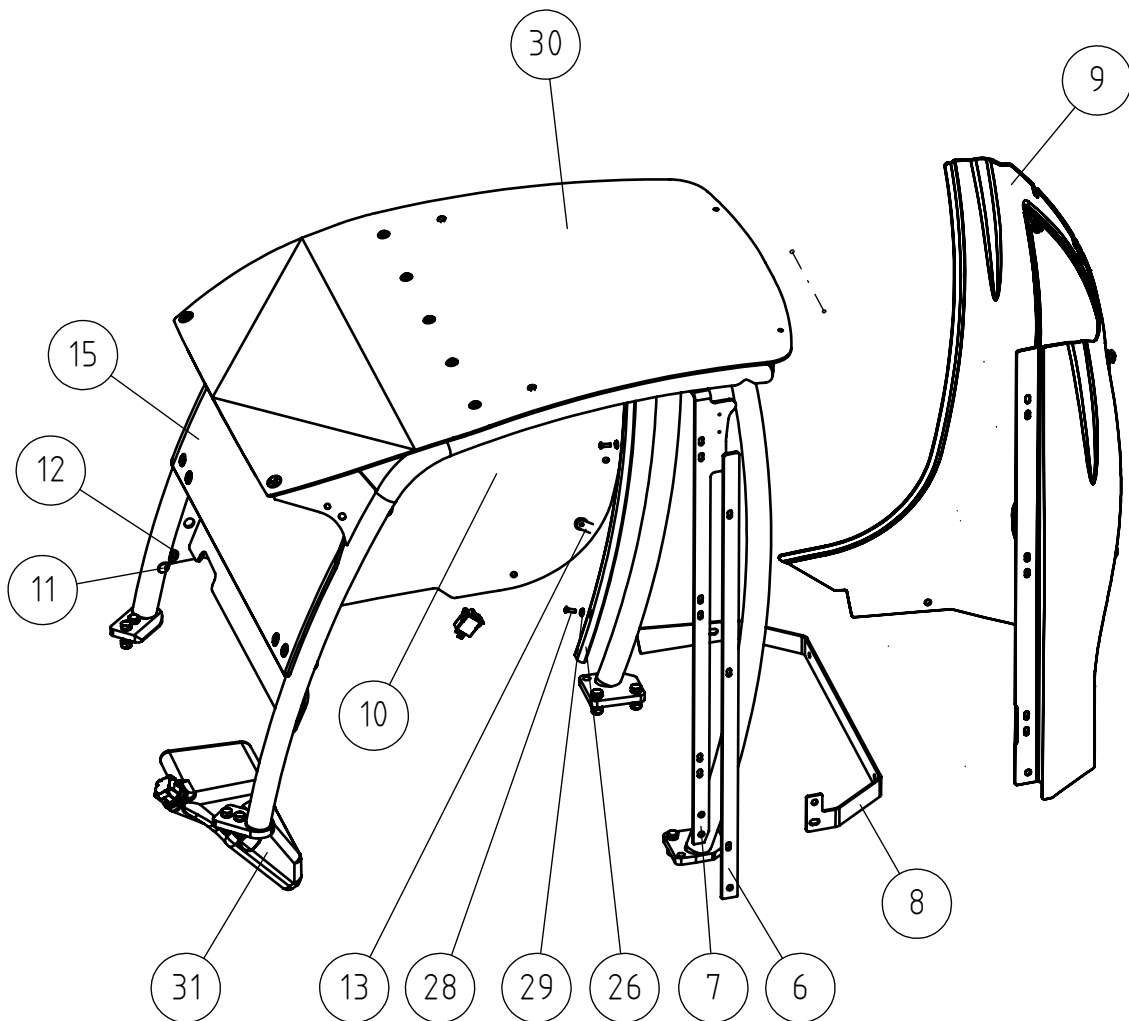
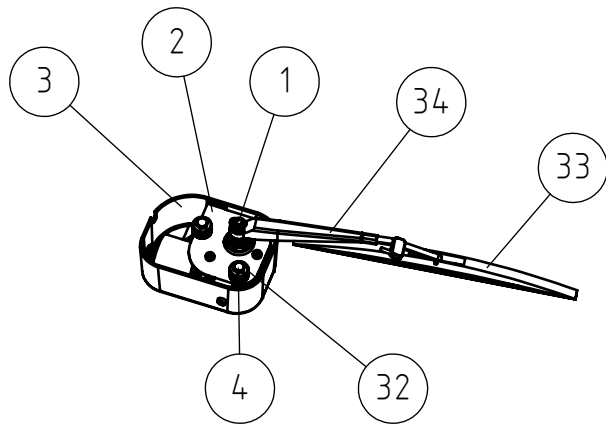
22.8.2023

A433228 ROAD TRAFFIC KIT 800 SERIES ROPS STAGE V

REF	PART NO	QTY	DESCRIPTION	NOTES	PAGE
1	A49059	1	BRACKET, BEACON		-
2	A435335	1	BEACON, WITH LED LIGHT 11W		-
3	65058	1	BRACKET (PIN), BEACON		-
4	65065	1	SWITCH, BEACON		-
5	A437372	1	WIRE HARNESS WORK LIGHT KIT / BEACON		-
6	72143	1	HEX. SCREW M8*80 DIN 931		-
7	73122	2	WASHER M8 A8,4 DIN 125 ZN		-
8	72320	1	HEXAGONAL NUT M8 NYLOC DIN 985		-
9	A49080	1	COVER STRIP, SIDE		-
10	74767	3	RAISED COUNTERSUNK HEAD SCREW M6*20		-
11	74768	3	WASHER CONICAL M6		-
12	72323	2	HEXAGONAL NUT M12 DIN 934		-
13	A411594	1	ARM, SIDE MIRROR		-
14	64389	1	SIDE MIRROR CONVEX GLASS 185*135 MM		-
15	64851	1	LIGHTS/BLINKERS LEVER SWITCH		-
16	A431806	1	MOUNTING BRACKET RIGHT, FRONT LIGHT		-
17	A434264	1	MOUNTING BRACKET LEFT, FRONT LIGHT		-
18	A437533	2	HEADLIGHT LED, LOW BEAM AND HIGH BEAM		-
19	A431706	2	PARKING LIGHT FRONT 12V 83X47X14,4MM		-
20	A438612	1	MOUNTING BRACKET RIGHT HEADLAMP ROAD		-
21	A438608	1	MOUNTING BRACKET LEFT HEADLAMP ROAD		-
22	64849	2	BLINKER		-
23	74778	4	PAN HEAD SCREW M3*20		-
24	74535	4	HEXAGONAL NUT M3		-
25	A437335	1	WIRE HARNESS ROAD TRAFFIC KIT REAR 700/8		-
26	A438302	2	ADAPTER CABLE BI-HALOGEN		-
27	A437383	1	REAR GRILLE WITH LIGHTS, ASSEMBLY,		-
27.1	65548	2	TAIL LIGHT RED COBO		-
28	65036	1	INDICATOR RELAY 12V 170W WEH-53 201 101		-
29	65064	1	SWITCH, WARNING BLINKER		-
30	A436097	1	WIRE HARNESS ROAD TRAFFIC KIT KOHLER STG		-
30.1	A438175	2	RELAY 12V/30A		-
30.2	65751	1	INDICATOR RELAY 12V 84W WEH-54 201 102		-
30	A441942	1	ADAPTER, CAB GT <=> TIER 4 ROAD TRAFFIC		-
31	A49353	1	FRAME, OUTER		-
32	A49354	1	FRAME, INNER		-
33	A49356	1	MOUNTING BRACKET, LOWER		-
34	A438703	1	REAR WALL WITH WINDOW + SLOW MOVING		-
35	A435070	1	SLOW MOVING VEHICLE TRIANGLE 430X45X30		-

22.8.2023

A439264 CAB L, 800 SERIES



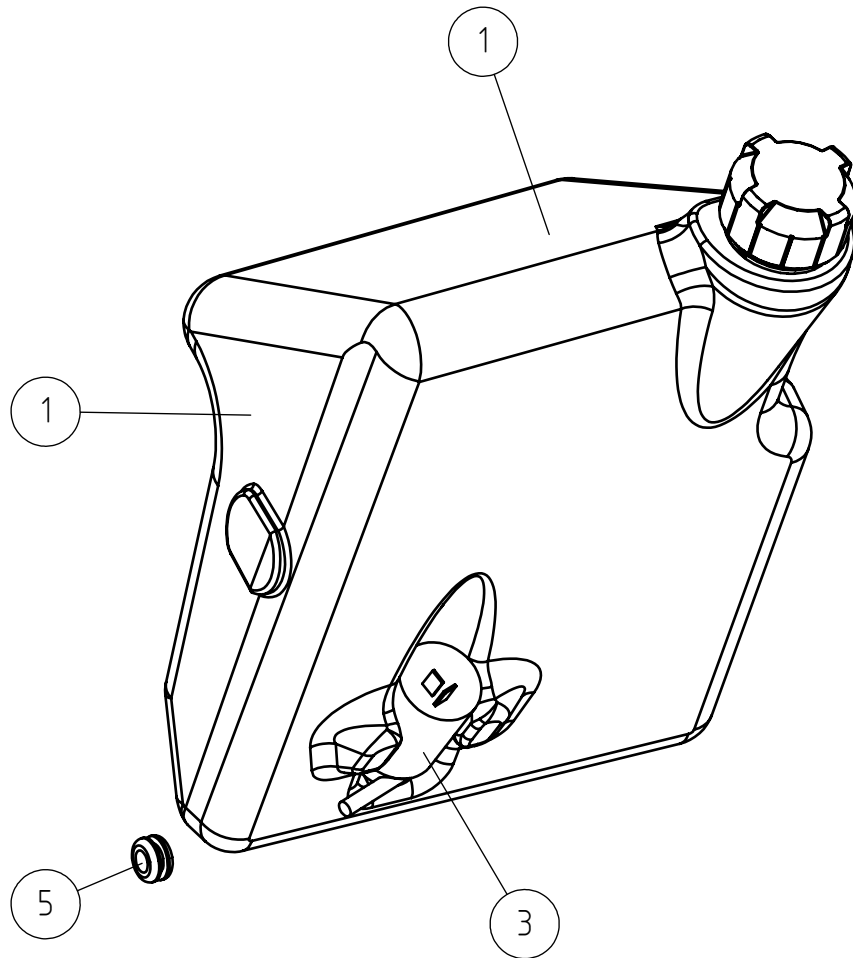
22.8.2023

A439264 CAB L, 800 SERIES

REF	PART NO	QTY	DESCRIPTION	NOTES	PAGE
1	A447287	1	ELECTRIC MOTOR PROGRAMMED WINDSCREEN		-
2	A440457	1	BRACKET MOTOR WINDSCREEN WIPER		-
3	A440716	1	COVER MOTOR WINDSCREEN WIPER		-
4	A427795	2	HEXAGONAL SCREW M8*25 DIN 933 8.8		-
5	A437544	5	THREAD-FORMING SCREW BLACK M6*16 DIN		-
6	A49353	1	FRAME, OUTER		-
7	A49354	1	FRAME, INNER		-
8	A49356	1	MOUNTING BRACKET, LOWER		-
9	A438597	1	REAR WALL WITH WINDOW CAB L 800 SERIES		-
10	A439284	1	SIDE WINDOW CAB L 800 SERIES		-
11	A49699	4	MOUNTING BRACKET ONE SIDED		-
12	74788	14	FASTENER, WINDOW, F25/F5-13		-
13	A410059	2	HOLDER		-
14	74787	1	CROSS HEAD SCREW M5*20		-
15	A439293	1	WINDSCREEN CAB L 800 SERIES		-
16	A439294	1	WINDSCREEN LOWER SMALL CAB L 800 SERIES		-
17	A441267	1	WEATHER STRIP L=650MM WINDSCREEN CAB L		-
18	A49445	2	FASTENER		-
19	74448	1	WASHER M5 A5,3 DIN 125 ZN		-
20	72315	1	NUT M5 NYLOC DIN 985		-
21	A49698	2	MOUNTING BRACKET TWO SIDED		-
22	74793	1	CROSS HEAD COUNTERS SCREW M5*25		-
23	A411021	1	DECAL "EMERGENCY EXIT"		-
24	A441037	1	WIRE HARNESS CAB L AVANT 700-800		-
25	65063	1	SWITCH, WIPER/WASHER		-
26	A49080	1	COVER STRIP, SIDE		-
27	A49079	1	COVER STRIP, MIDDLE		-
28	74767	3	RAISED COUNTERSUNK HEAD SCREW M6*20		-
29	74768	3	WASHER CONICAL M6		-
30	A410091	1	CANOPY, POLYCARBONATE		-
31	A436328	1	TANK WINDSCREEN WASHER, ASSEMBLY		122
31.1	65017	1	PUMP 12V, WINDSCREEN WASHER		-
31.2	64865	1	GROMMET F18/12/9,51-3		-
31.3	64991	1	GROMMET F18/14/6, H14/H5 ,2012306		-
32	A441784	4	BUSHING PLASTIC D16,9/D8 - L8,1		-
33	A443736	2	WIPER BLADE L=380MM		-
34	A443723	1	ARM, WINDSCREEN WIPER M10 L=263 WITH		-
35	72322	1	HEXAGONAL NUT M 10 NYLOC DIN 985		-
36	A443799	1	ARM, WINDSCREEN WIPER M10 L=302 WITH		-

22.8.2023

A436328 TANK WINDSCREEN WASHER, ASSEMBLY



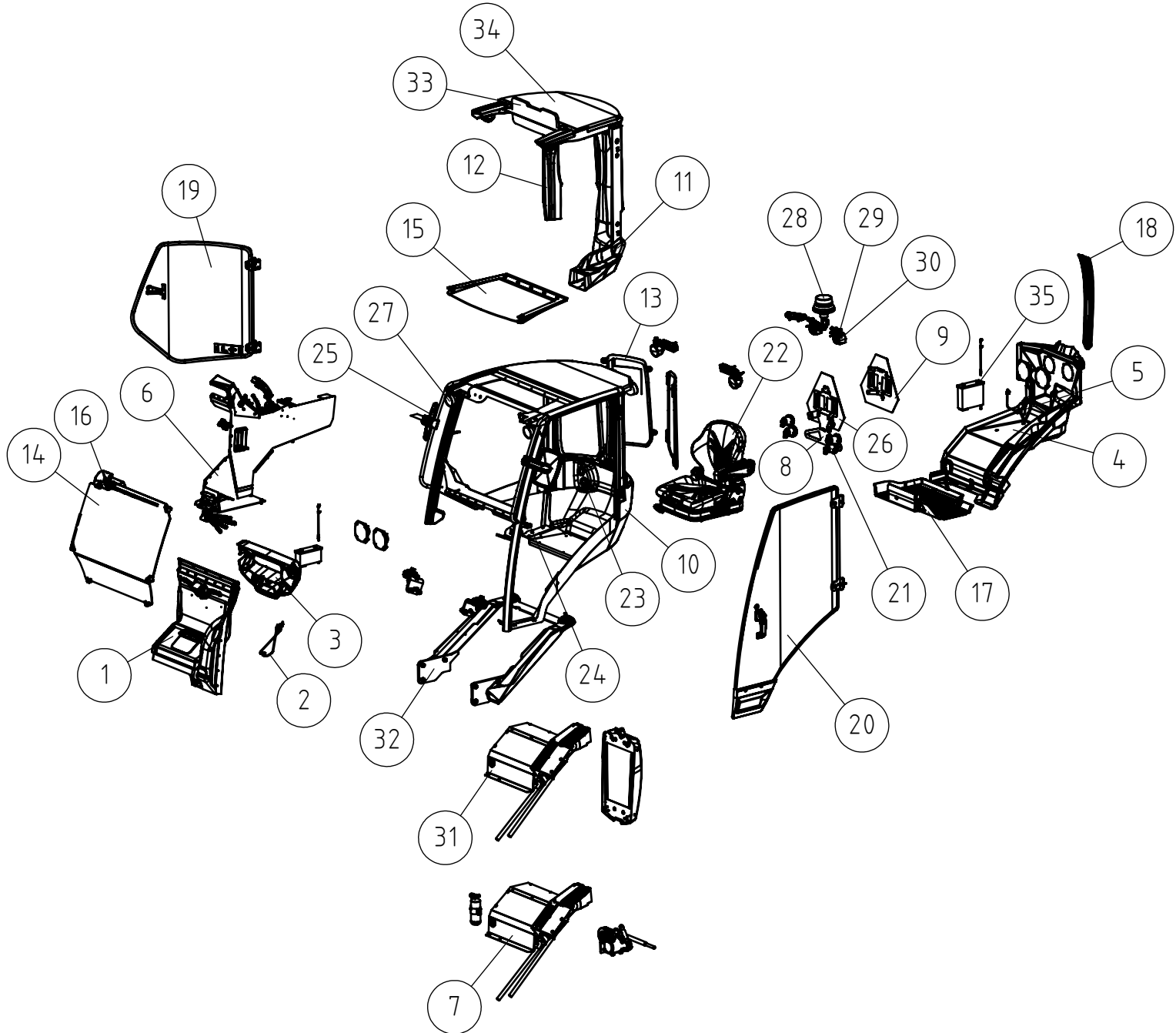
22.8.2023

A436328 TANK WINDSCREEN WASHER, ASSEMBLY

REF	PART NO	QTY	DESCRIPTION	NOTES	PAGE
1	A437429	1	TANK ASSEMBLY WINDSCREEN WASHER		-
2	64991	1	GROMMET F18/14/6, H14/H5 ,2012306		-
3	65017	1	PUMP 12V, WINDSCREEN WASHER		-
4	65022	1	UNDERPRESSURE HOSE EPDM F2,8/F3,2		-
5	64865	1	GROMMET F18/12/9,51-3		-
-	65017	1	PUMP 12V, WINDSCREEN WASHER		-
-	64865	1	GROMMET F18/12/9,51-3		-
-	64991	1	GROMMET F18/14/6, H14/H5 ,2012306		-

22.8.2023

A436732 CAB GT, 800 SERIES



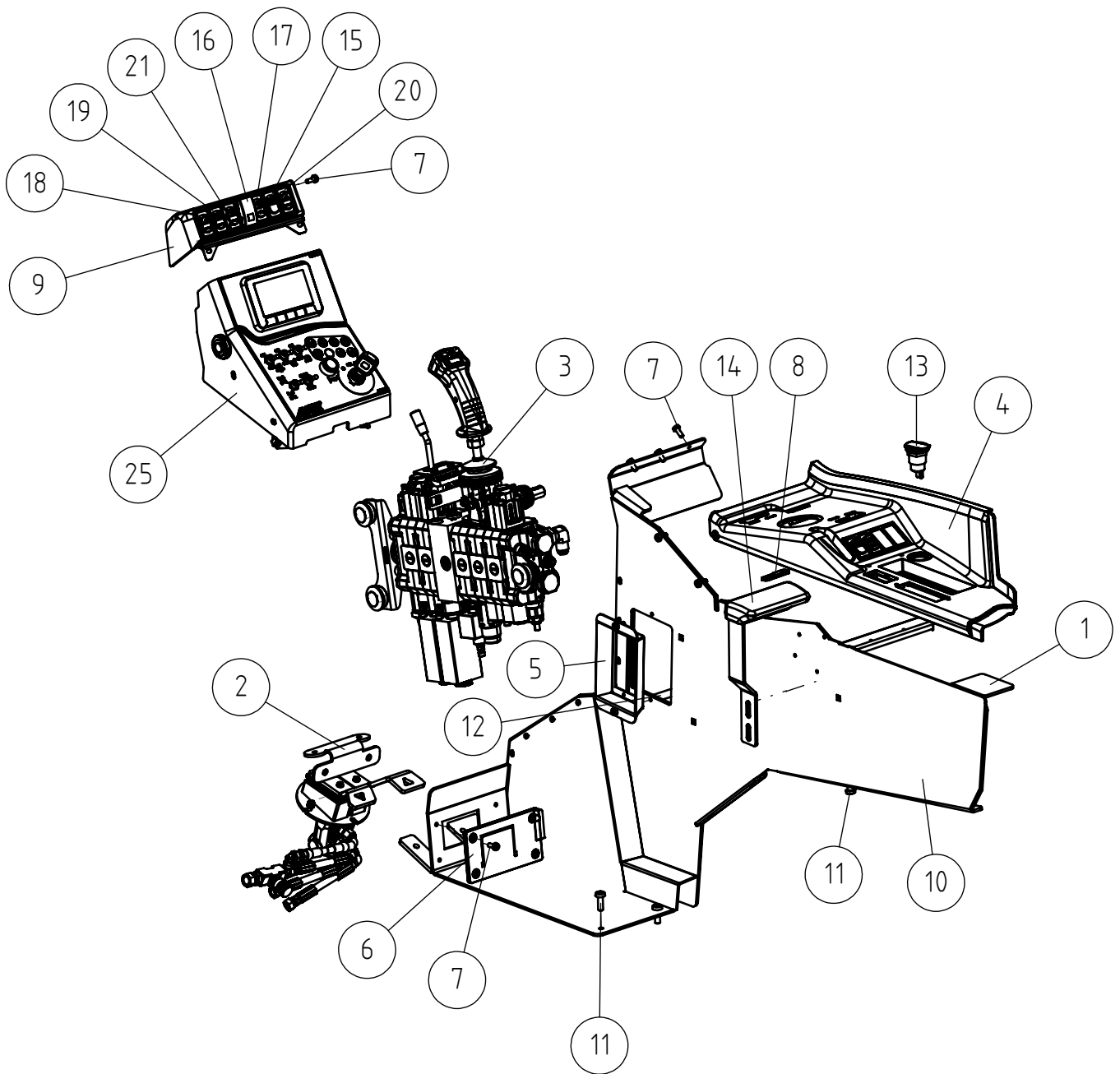
22.8.2023

A436732 CAB GT, 800 SERIES

REF	PART NO	QTY	DESCRIPTION	NOTES	PAGE
1	A436615	1	HEAT SHIELD ASSEMBLY CAB GT		-
2	A438452	1	NET POCKET ASSEMBLY CAB GT		-
3	A438587	1	RADIO WITH ACCESSORIES CAB GT		-
3.1	A438572	2	LOUDSPEAKER VISATON CP13		-
4	A434208	1	FLOOR MAT ASSEMBLY CAB GT		-
5	A438443	1	NET POCKET REAR ASSEMBLY CAB GT		-
6	A434206	1	CONTROLS ASSEMBLY CAB GT		126
7	A438326	1	AIR CONDITIONING CAB GT		142
8	A438379	2	MOUNTING BRACKET ASSEMBLY LICENCE PLATE		-
9	A438374	1	SIGN, SLOW MOVING VEHICLE, RED		-
10	A435936	1	FRAME CAB GT		-
10	A435964	1	WIRE HARNESS CAB GT KOHLER STAGE V		-
10	A437214	1	WIRE HARNESS, ADAPTER, CAB GT		-
10	A441891	1	ADAPTER, CAB GT <=> TIER 4 POWER SUPPLY		-
11	A436635	1	AIR DUCTS ASSEMBLY CAB GT		130
12	A436754	1	B-PILLARS CAB GT		-
13	A436771	1	REAR WINDOWS CAB GT		-
13.1	A434932	1	REAR WINDOW LEFT CAB GT		-
13.2	A434114	1	REAR WINDOW RIGHT CAB GT		-
13.3	A435250	4	BRACKET OUTSIDE REAR WINDOW CAB GT		-
13.4	A435251	4	BRACKET INSIDE REAR WINDOW CAB GT		-
13.5	A436768	2	SEAL REAR WINDOW CAB GT		-
14	A436637	1	WINDSCREEN ASSEMBLY CAB GT		132
15	A436900	1	SUNROOF ASSEMBLY CAB GT		-
15.1	A434638	1	SUNROOF PLATE CAB GT		-
15.2	A436903	1	SEAL SUNROOF CAB GT		-
16	A437375	1	WINDSCREEN WIPER ASSEMBLY CAB GT		134
17	A434410	1	SERVICE HATCH ASSEMBLY CAB GT		-
18	A438890	1	COVER C-PILLAR ASSEMBLY CAB GT		-
19	A434952	1	WINDOW RIGHT ASSEMBLY CAB GT		136
20	A434950	1	DOOR ASSEMBLY CAB GT		138
21	A438543	1			-
22	A438053	1	AIR SUSPENSION SEAT WITH HEATER, CAB GT		-
23	A438682	1	FRAME REAR LIGHTS ASSEMBLY CAB GT		-
24	A438895	1	LATCH ASSEMBLY		-
25	A438541	1	SIDE MIRRORS ASSEMBLY CAB GT		-
26	A438396	1	SLOW MOVING VEHICLE SIGN WITH BRACKET		-
27	A438528	1	WORK LIGHT KIT LED 700LM CAB GT		-
28	A438530	1	BEACON 800 SERIES		-
29	A438538	1	FOUR-LIGHT BEACON CAB GT		-
30	A438539	1	WORK LIGHT KIT LED 2500LM CAB GT		-
31	A438246	1	HEATER ASSEMBLY CAB GT		140
32	A437664	1	SUBFRAME ASSEMBLY CAB GT		-
33	A438887	1	SUN VISOR ASSEMBLY CAB GT		-
34	A438892	1	UPHOLSTERY ASSEMBLY CEILING CAB GT		-
35	A440007	1	RADIO RETROFIT KIT CAB GT		-
35.1	A434180	2	LOUDSPEAKER VISATON FR 13		-
35.2	A437521	1	RADIO BLUETOOTH 12V 4X41W		-
35.3	A438590	2	SPEAKER GRILLE		-
35.4	A439976	1	AERIAL CABLE L=1450		-
35.5	A438588	1			-

22.8.2023

A434206 CONTROLS ASSEMBLY CAB GT



22.8.2023

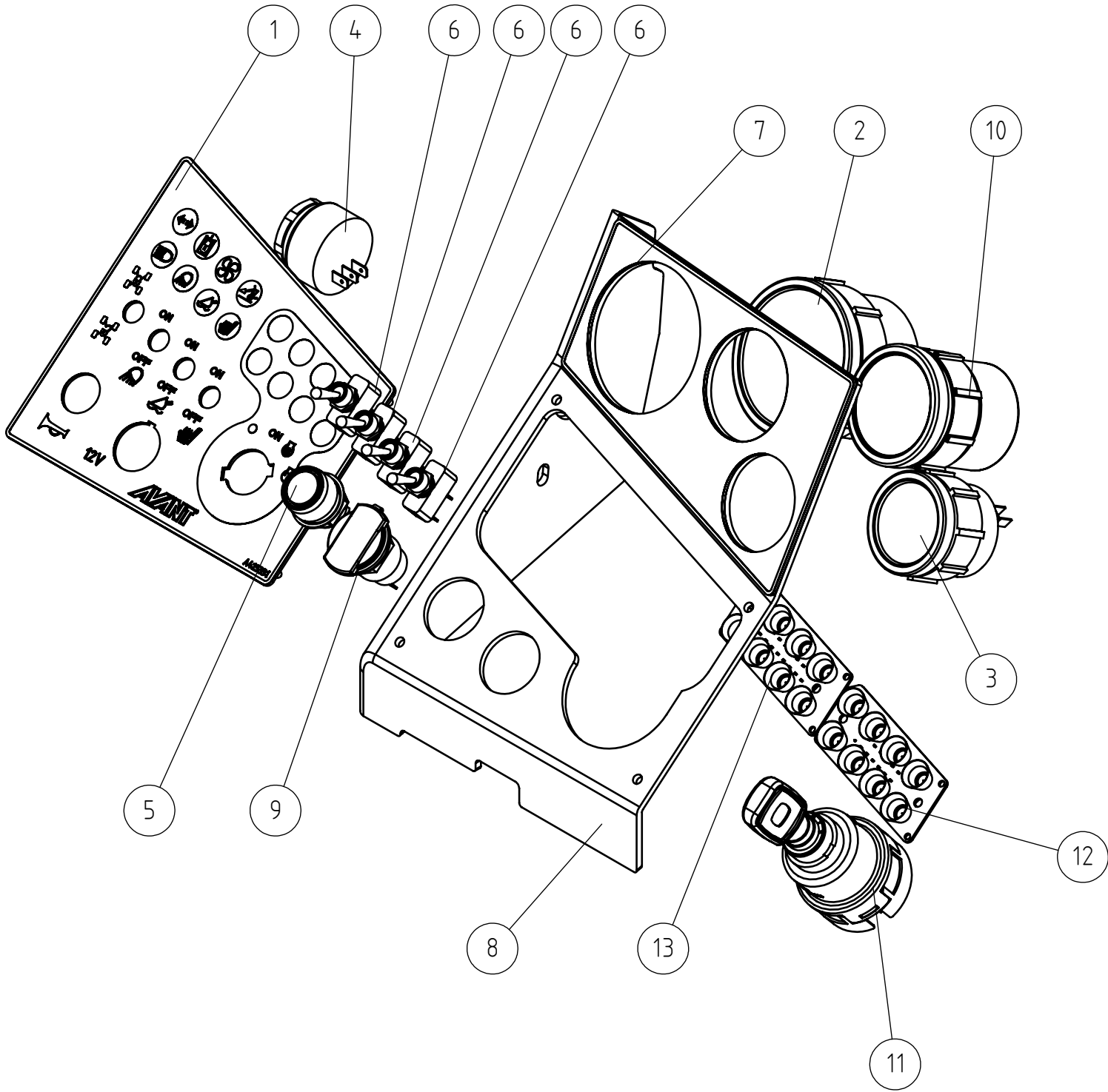
A434206 CONTROLS ASSEMBLY CAB GT

REF	PART NO	QTY	DESCRIPTION	NOTES	PAGE
1	A434200	1	MOUNTING PLATE CONTROL VALVE CAB GT		-
2	A436744	1	DRIVE PEDAL ASSEMBLY CAB GT		-
3	A431028	1	CONTROL VALVE ASSEMBLY 800 SERIES		24
4	A436540	1	INSTRUMENT PANEL CAB GT		-
5	A431741	1	FUSE BOX FRONT CHASSIS		-
6	A434607	1	SEALING PLATE ASSEMBLY DRIVE PEDALS CAB		-
7	75129	12	THREAD-FORMING SCREW M6*16 DIN 7500C		-
8	A434945	1	LOCKING PLATE CAB GT		-
9	A436212	1	HOUSING SWITCHES ASSEMBLY CAB GT		-
10	A436236	1	UPHOLSTERY PLATE VALVE MOUNTING PLATE		-
11	75128	3	THREAD-FORMING SCREW M8*25 DIN 7500C		-
12	A439834	1	PROTECTIVE BAR FUSES CAB GT		-
13	A436424	1	OUTLET 12V/20A WITH COVER		-
14	A441061	1	ARMREST RIGHT ASSEMBLY CAB GT		-
15	A437190	1	SWITCH SMOOTH DRIVE		-
16	A430996	1	CONTROL SWITCH, HYDR ATTACHMENT COUPLING		-
17	65246	1	SWITCH, DRIVE SPEED AREA, 750		-
18	65066	1	SWITCH, WORK LIGHT		-
19	65065	1	SWITCH, BEACON		-
20	65064	1	SWITCH, WARNING BLINKER		-
21	65216	1	SWITCH, PARKING BRAKE		-
22	A437343	1	ROCKER SWITCH OPTICONTROL		-
23	A441109	1	SWITCH, CENTRAL LUBRICATION		-
24	A434881	2	BLIND PLUG 21X36.8MM SWITCH HOLE		-
25	A423600	1	DASHBOARD CAB DLX ASSEMBLY	Stage 3b	128

22.8.2023

Stage 3b

A423600 DASHBOARD CAB DLX ASSEMBLY



22.8.2023

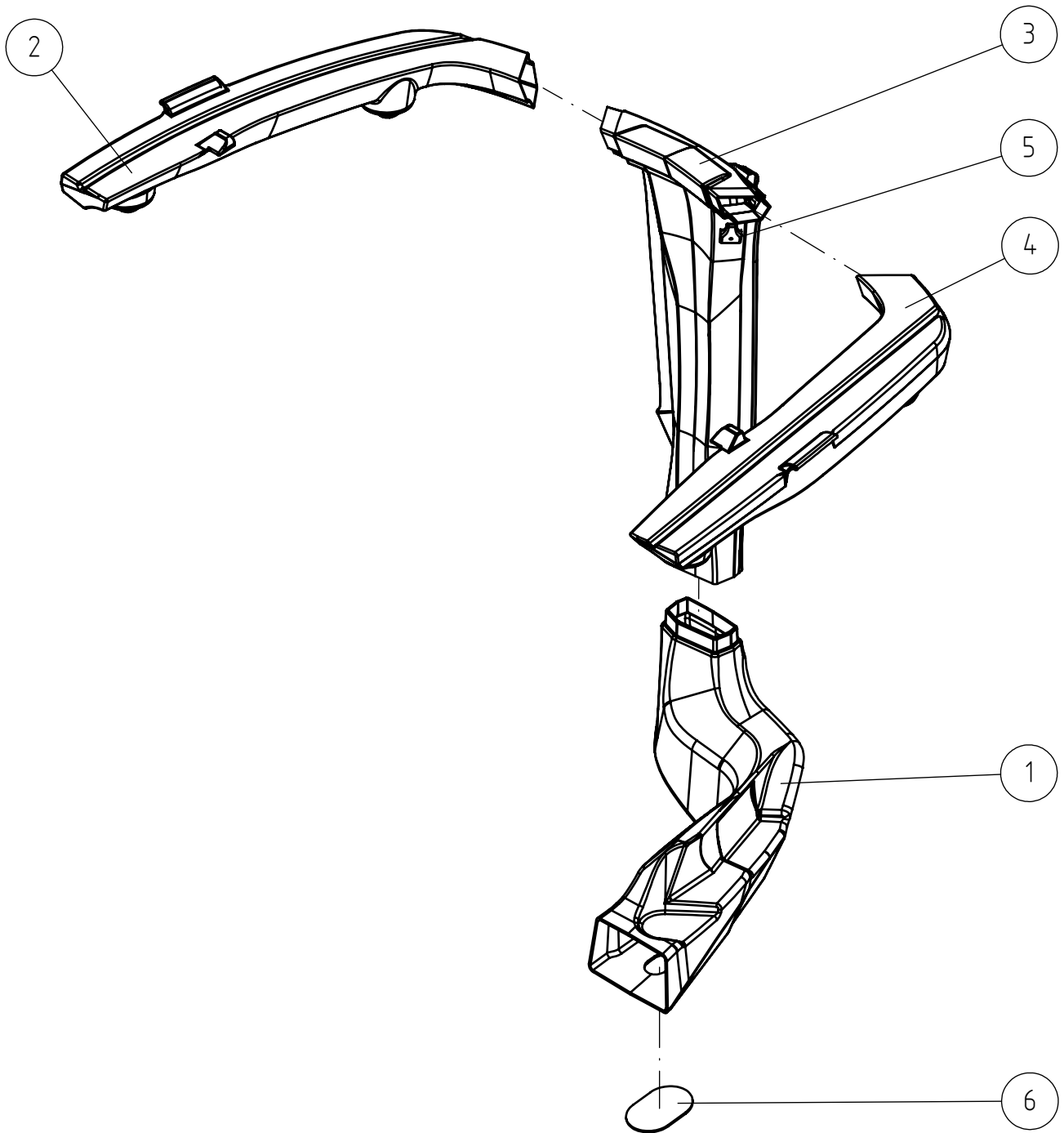
Stage 3b

A423600 DASHBOARD CAB DLX ASSEMBLY

REF	PART NO	QTY	DESCRIPTION	NOTES	PAGE
1	A425330	1	PANEL WITH DECAL INDICATORS CAB DLX		-
2	65123	1	HOUR METER/TACHOMETER 500/600 SERIES		-
3	65122	1	FUEL GAUGE		-
4	A440326	1	ALARM BEEPER D28,5/D45 -H47		-
5	64074	1	PUSH BUTTON F22,5 SIGNAL HORN		-
6	64602	4	ROCKER SWITCH ON-OFF 2-POLE 250VAC/10A		-
7	A423598	1	MOUNTING PLATE INDICATORS&GAUGES WITH OI		-
8	A423601	1	COVER PLATE INSTRUMENT PANEL, CAB DLX		-
9	A436424	1	OUTLET 12V/20A WITH COVER		-
10	A430775	1	THERMOMETER WATER/HYDRAULIC OIL		-
11	66156	1	IGNITION SWITCH 12V/30A/60A IP65 COBO		-
11.1	64214	1	IGNITION KEY		-
12	A425304	1	INDICATOR LIGHTS DIESEL ENGINE KOHLER		-
13	A425315	1	INDICATOR LIGHTS E SERIES		-

22.8.2023

A436635 AIR DUCTS ASSEMBLY CAB GT



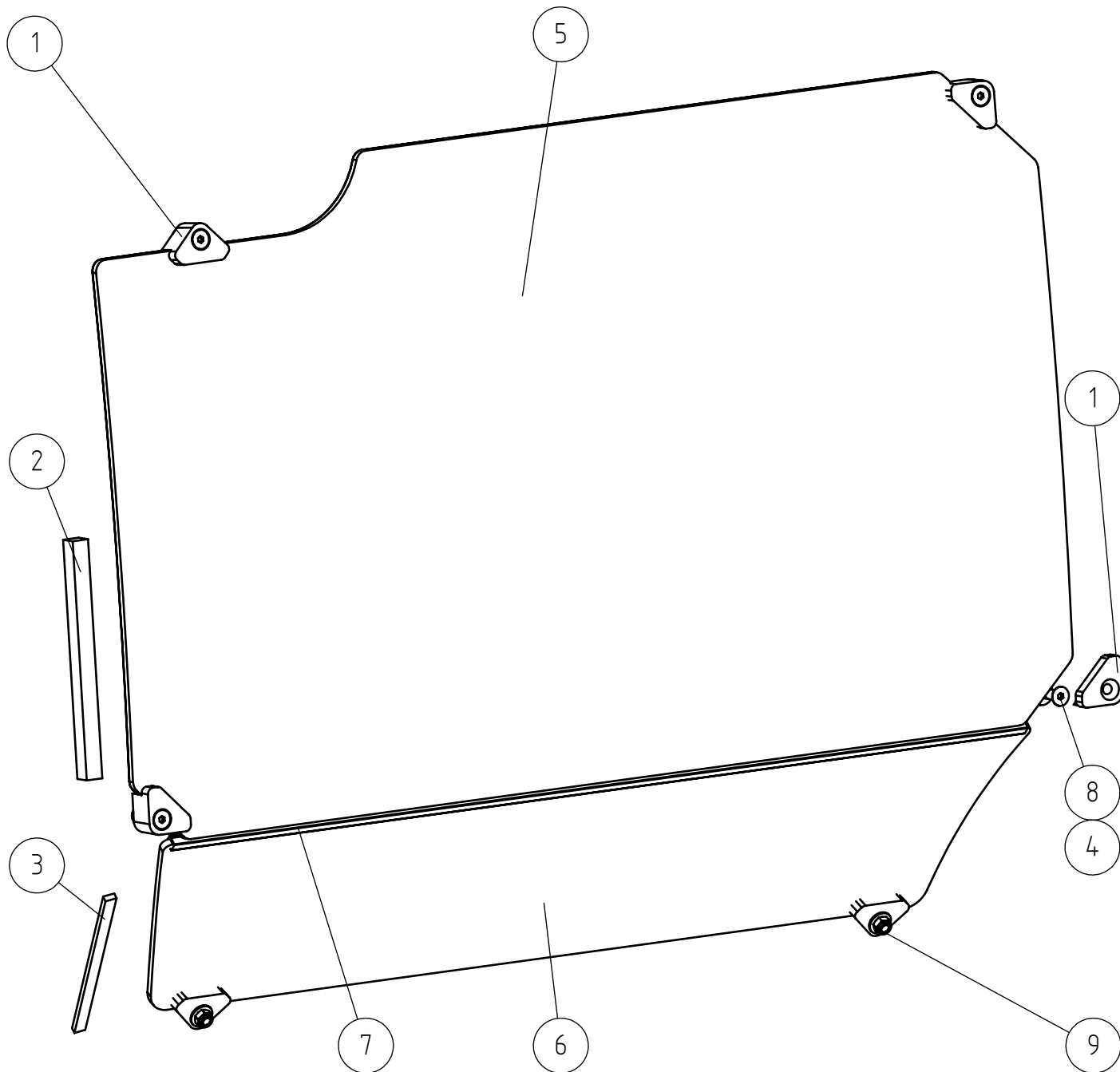
22.8.2023

A436635 AIR DUCTS ASSEMBLY CAB GT

REF	PART NO	QTY	DESCRIPTION	NOTES	PAGE
1	A436413	1	AIR DUCT LOWER CAB GT		-
2	A436415	1	AIR DUCT CEILING RIGHT CAB GT		-
3	A436479	1	AIR DUCT VERTICAL CAB GT		-
4	A436417	1	AIR DUCT CEILING LEFT CAB GT		-
5	65072	1	COAT HOOK HAPPICH BLACK		-
6	A439839	1	COVER PLATE AIR DUCT CAB GT		-

22.8.2023

A436637 WINDSCREEN ASSEMBLY CAB GT



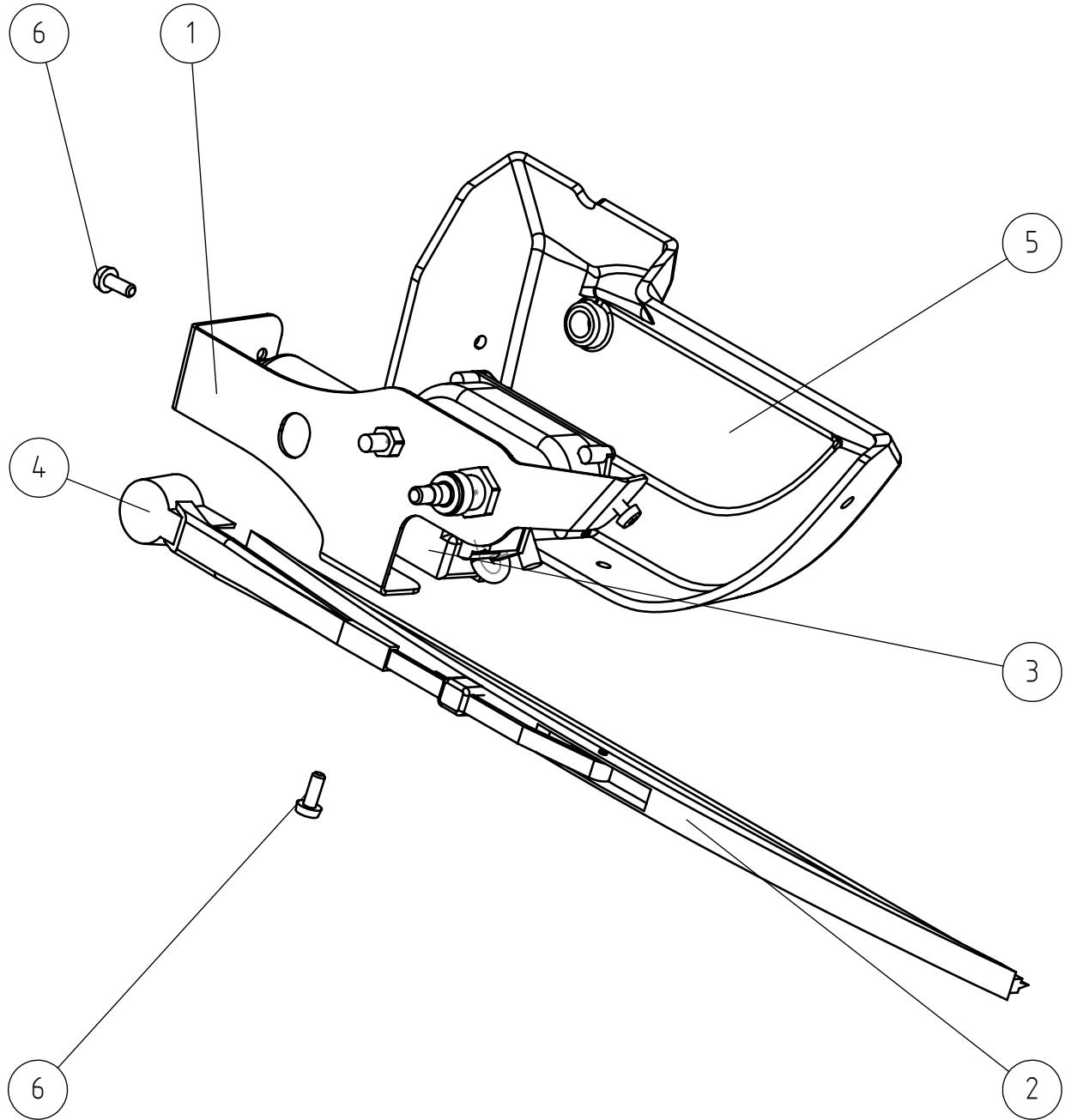
22.8.2023

A436637 WINDSCREEN ASSEMBLY CAB GT

REF	PART NO	QTY	DESCRIPTION	NOTES	PAGE
1	A412362	6	BRACKET, WINDSCREEN		-
2	A413839	1	WEATHER STRIP, WINDSCREEN, CAB DLX		-
3	A413848	1	WEATHER STRIP, WINDSCREEN SMALL, CAB DLX		-
4	74525	6	WASHER M8 8,4*20*1,25 ZN		-
5	A414401	1	WINDSCREEN, CAB		-
6	A434100	1	WINDSCREEN, LOWER, SMALL, CAB GT		-
7	A436746	1	WEATHER STRIP BETWEEN WINDSCREENS CAB GT		-
8	75039	4	HEXAG. COUNTERSUNK HEAD SCREW M8*40		-
9	72320	6	HEXAGONAL NUT M8 NYLOC DIN 985		-

22.8.2023

A437375 WINDSCREEN WIPER ASSEMBLY CAB GT



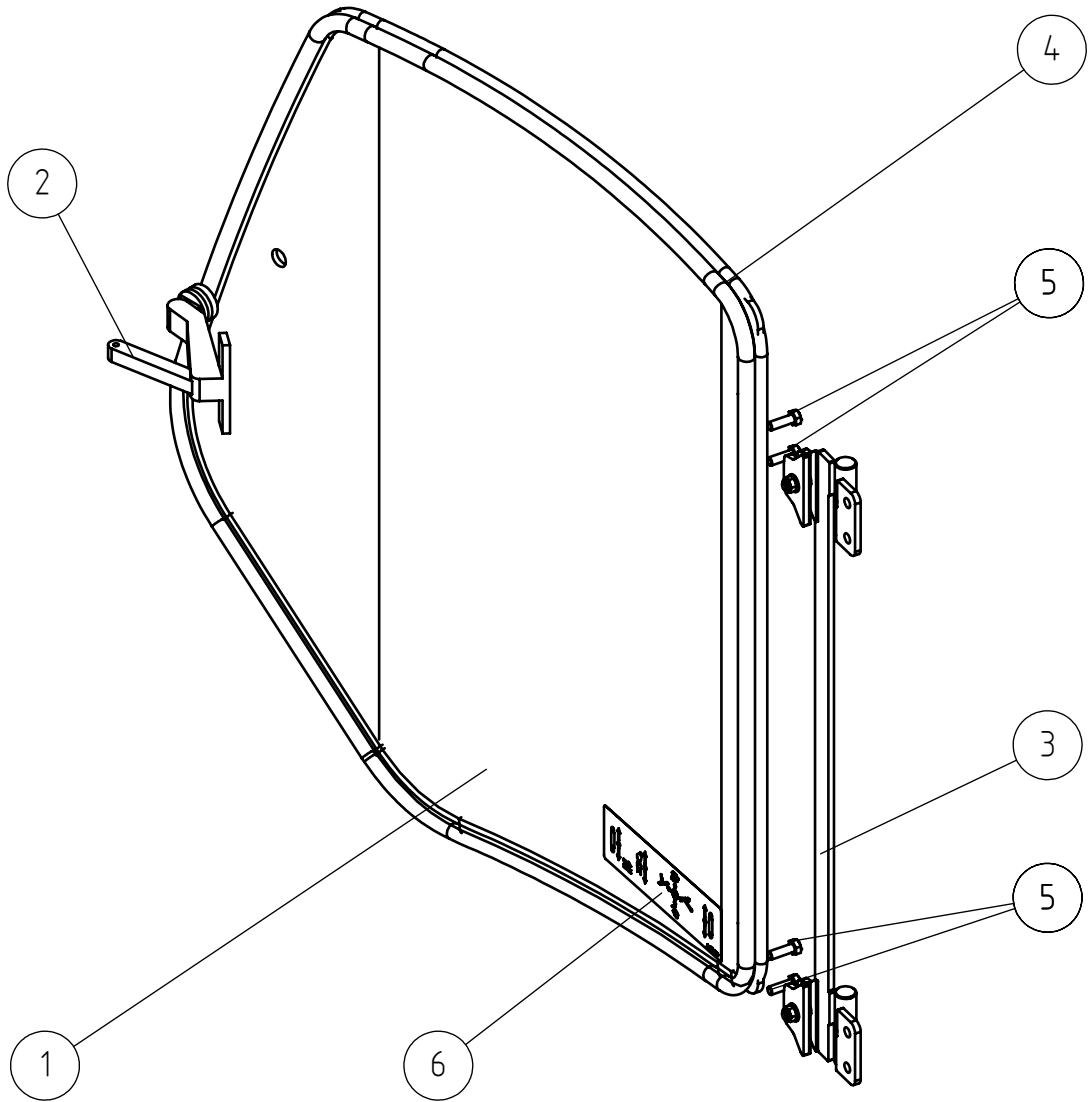
22.8.2023

A437375 WINDSCREEN WIPER ASSEMBLY CAB GT

REF	PART NO	QTY	DESCRIPTION	NOTES	PAGE
1	A434877	1	BRACKET HOUSING WINDSCREEN WIPER CAB GT		-
2	64573	1	WIPER BLADE		-
3	65656	1	ELECTRIC MOTOR, WINDSCREEN WIPER		-
4	65657	1	ARM, WINDSCREEN WIPER		-
5	A437528	1	HOUSING WINDSCREEN WIPER CAB GT		-
6	75129	3	THREAD-FORMING SCREW M6*16 DIN 7500C		-

22.8.2023

A434952 WINDOW RIGHT ASSEMBLY CAB GT



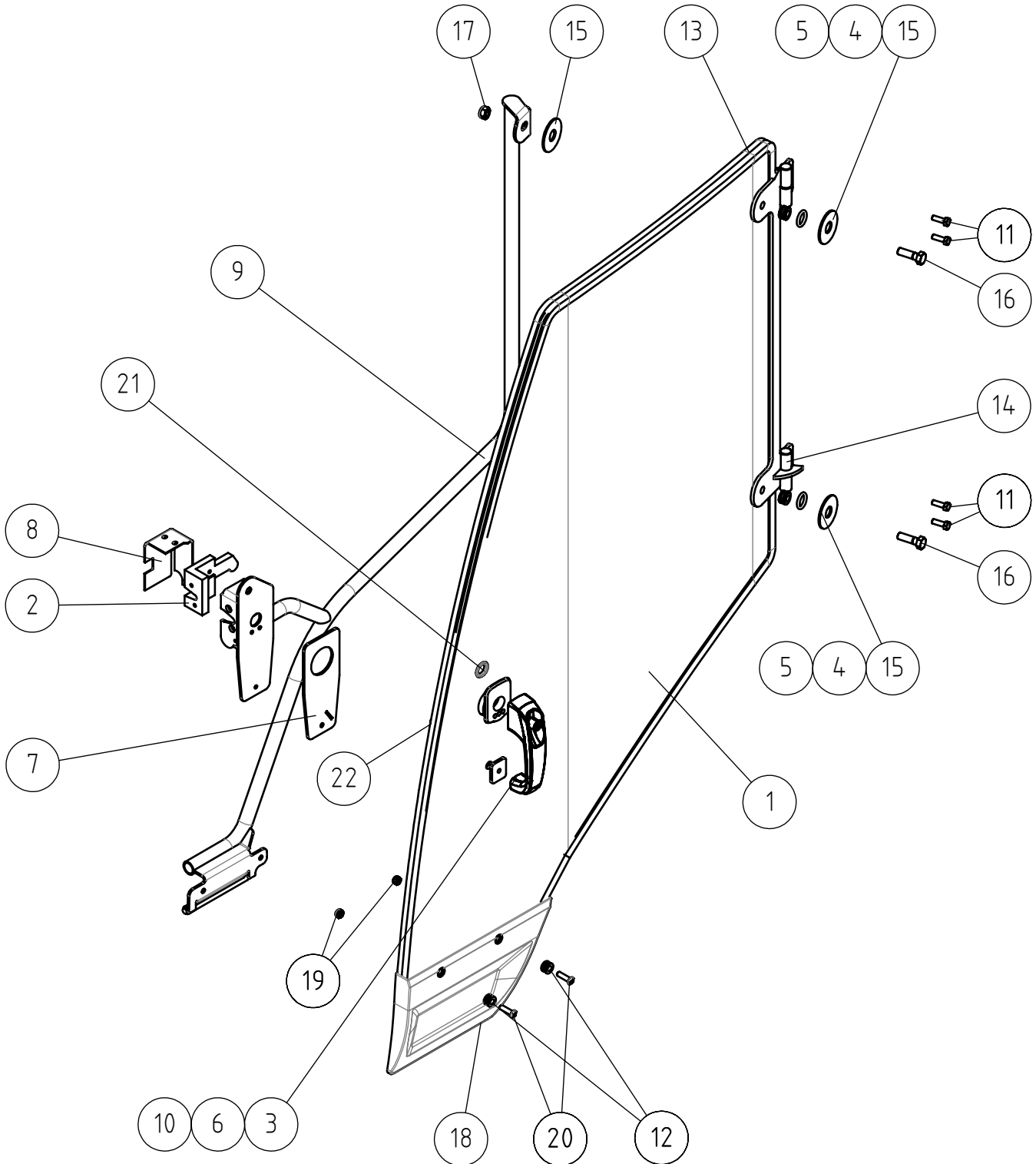
22.8.2023

A434952 WINDOW RIGHT ASSEMBLY CAB GT

REF	PART NO	QTY	DESCRIPTION	NOTES	PAGE
1	A411820	1	WINDOW, RIGHT, CAB DLX & GT		-
2	64983	1	HANDLE, WINDOW RIGHT, CAB 600 SERIES		-
2.1	66026	1	RELEASE PIN, OPENING MECHANISM WINDOW		-
3	A434953	1	BRACKET ASSEMBLY SIDE WINDOW CAB		-
4	A413843	1	WEATHER STRIP, SIDE WINDOW, CAB DLX		-
5	72132	4	HEXAGONAL SCREW M 8*25 DIN 933 ZN		-
6	A441320	1	DECAL CONTROLS CAB GT RIGHT WINDOW		-

22.8.2023

A434950 DOOR ASSEMBLY CAB GT



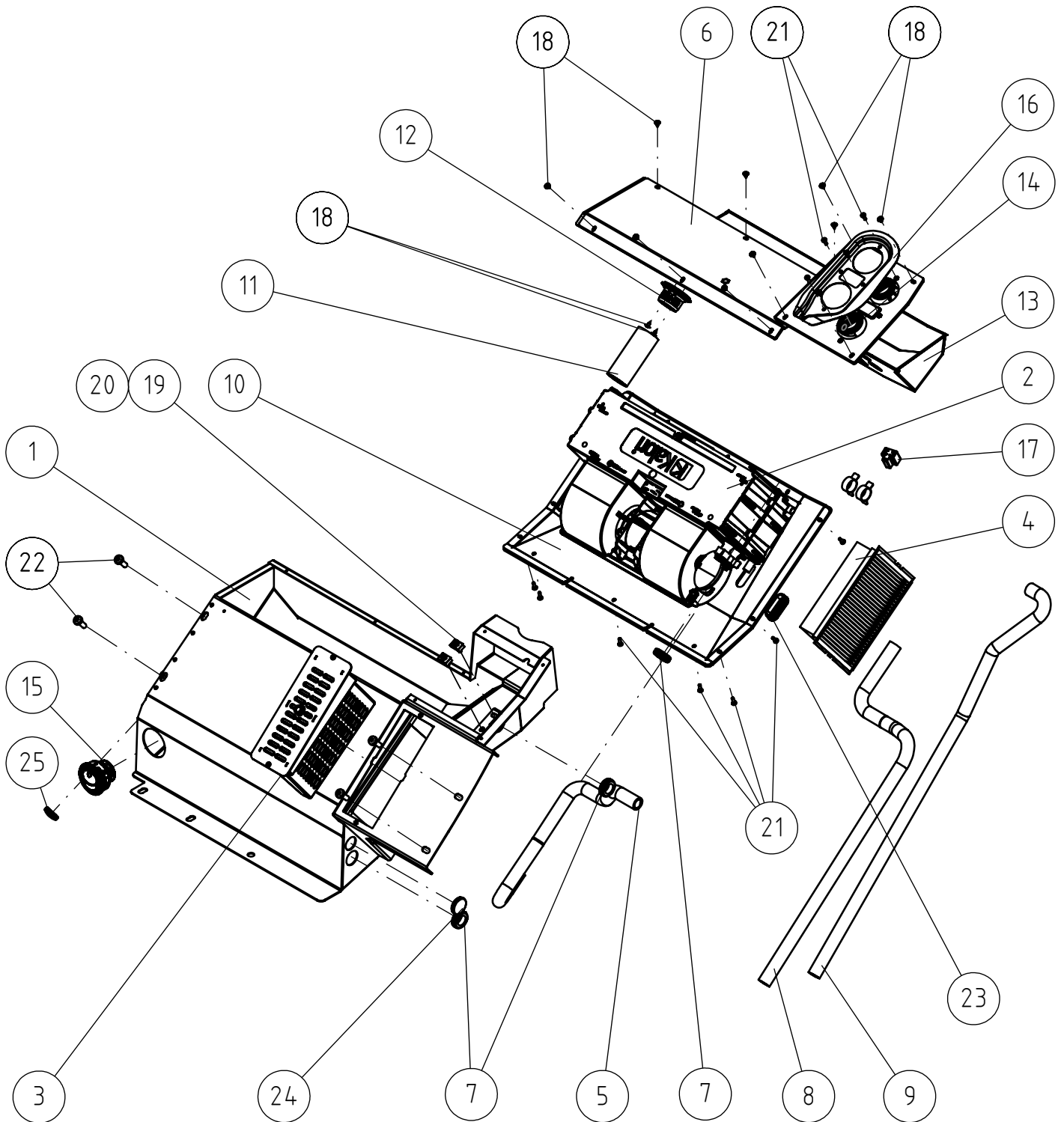
22.8.2023

A434950 DOOR ASSEMBLY CAB GT

REF	PART NO	QTY	DESCRIPTION	NOTES	PAGE
1	A411823	1	DOOR PLATE, SAFETY GLASS, CAB DLX & GT		-
2	64981	1	LOCK BODY		-
3	65025	1	HANDLE, DOOR, CAB		-
4	74856	2	O-RING NBR F 20,0 * 5,0 70SH		-
5	A412329	2	BUSHING		-
6	65026	1	SUBPLATE, DOOR HANDLE 20325-01		-
7	A47957	1	PLATE		-
8	A412344	1	COVER PLATE		-
9	A34859	1	FRAME, DOOR, CAB DLX & GT		-
10	65027	1	SUBPLATE, DOOR HANDLE		-
11	72132	4	HEXAGONAL SCREW M 8*25 DIN 933 ZN		-
12	64985	2	GROMMET F19/13/10,S=5H=11		-
13	A435077	1	WEATHER STRIP DOOR CAB GT		-
14	A434951	1	HINGE LOWER, DOOR CAB GT		-
15	A412327	4	RUBBER WASHER		-
16	73322	2	HEXAGONAL SCREW M12*40 DIN 931		-
17	72324	2	HEXAGONAL NUT M 12 NYLOC DIN 985		-
18	A435102	1	RUBBER PLATE, LOWER, DOOR CAB GT		-
19	72320	2	HEXAGONAL NUT M8 NYLOC DIN 985		-
20	A439829	2	HEXAGONAL HEAD SCREW M8*30 10.9 2		-
21	A440993	1	RUBBER PLUG D29/D25,8 H12 60SH		-
22	A453884	1	BRACKET		-

22.8.2023

A438246 HEATER ASSEMBLY CAB GT



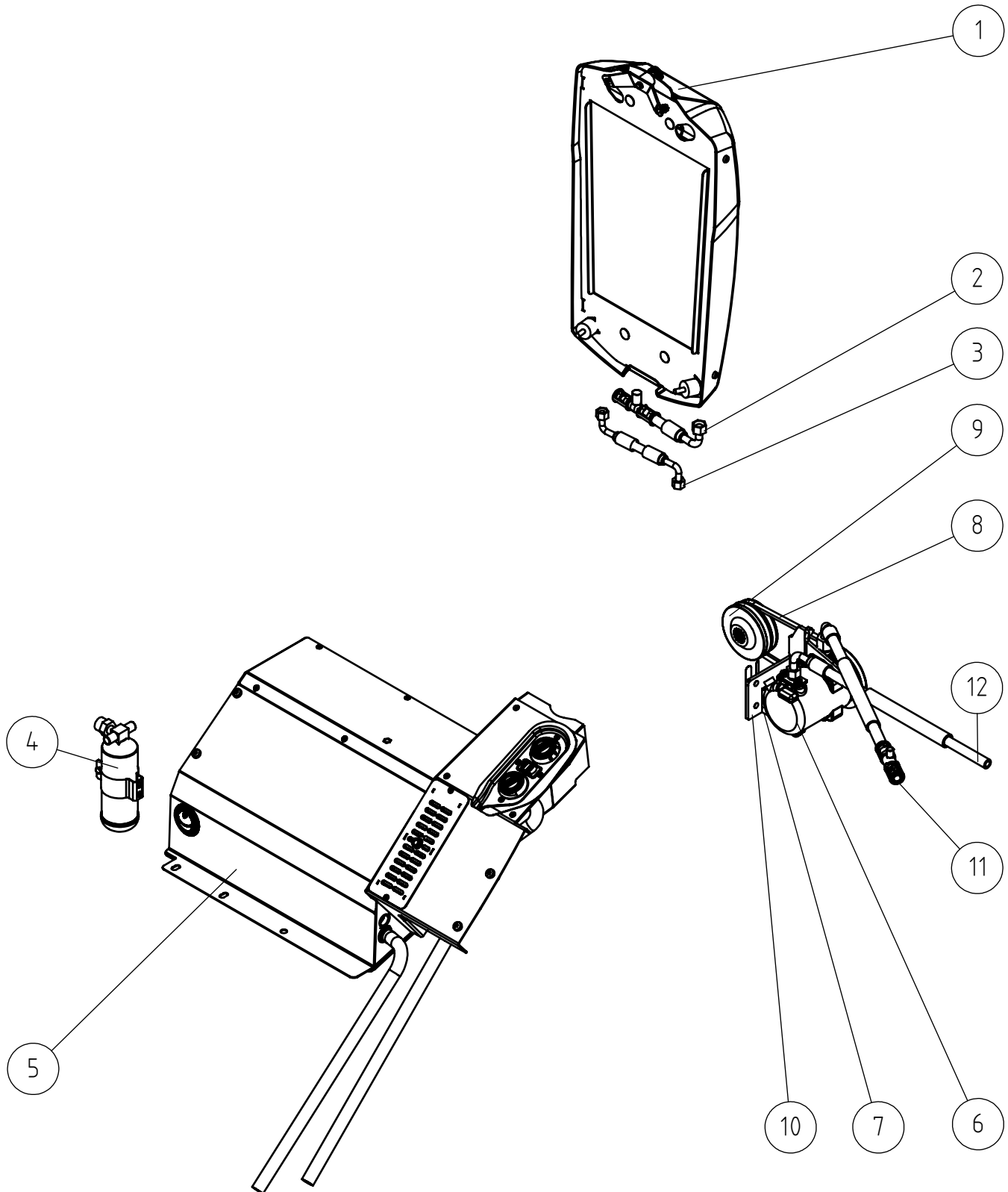
22.8.2023

A438246 HEATER ASSEMBLY CAB GT

REF	PART NO	QTY	DESCRIPTION	NOTES	PAGE
1	A434046	1	HOUSING, HEATER CAB GT		-
2	A438010	1	HEATER CAB GT KOOL E 12V		-
3	A434672	1	HOUSING AIR FILTER CAB		-
4	A422597	1	AIR FILTER CARTRIDGE CAB		-
5	A434090	1	HOSE HEATER CAB GT		-
6	A438253	1	COVER PLATE HEATER CHANNEL CAB GT		-
7	A434302	3	GROMMET F32/25/19 60SH		-
8	A434303	1	INLET HOSE HEATER CAB GT		-
9	A434304	1	RETURN HOSE HEATER CAB GT		-
10	A436401	1	LID HEATER CAB GT		-
12	A436387	1	HOSE FITTING 40MM		-
13	A438219	1	ISOLATION PLATE HEATER CHANNEL CAB GT		-
14	65514	1	THERMOSTAT, HEATER, CAB		-
15	A436549	1	NOZZLE 60MM AIR FLOW CAB GT		-
16	A437682	1	FRAME, HEATER ADJUSTMENT KNOB CAB GT		-
17	A436290	1	WIRE HARNESS HEATER/AIRCON CAB GT		-
18	A436550	12	PAN HEAD MACHINE SCREW M3,9*9,5		-
19	75172	2	SPEED NUT M5 FOR 0.5-4.0 MM PLATE		-
20	74771	2	PAN HEAD MACHINE SCREW M5* 25		-
21	A430277	16	TORX SCREW M4*12		-
22	75128	4	THREAD-FORMING SCREW M8*25 DIN 7500C		-
23	65849	2	PLUG OVAL 20X50		-
24	66034	1	RUBBER PLUG F35/F25-10 S=3		-
25	A438250	1	RUBBER PLUG D28/D21 S=3 60SH		-
26	A438229	4	HOSE CLAMP D23		-

22.8.2023

A438326 AIR CONDITIONING CAB GT



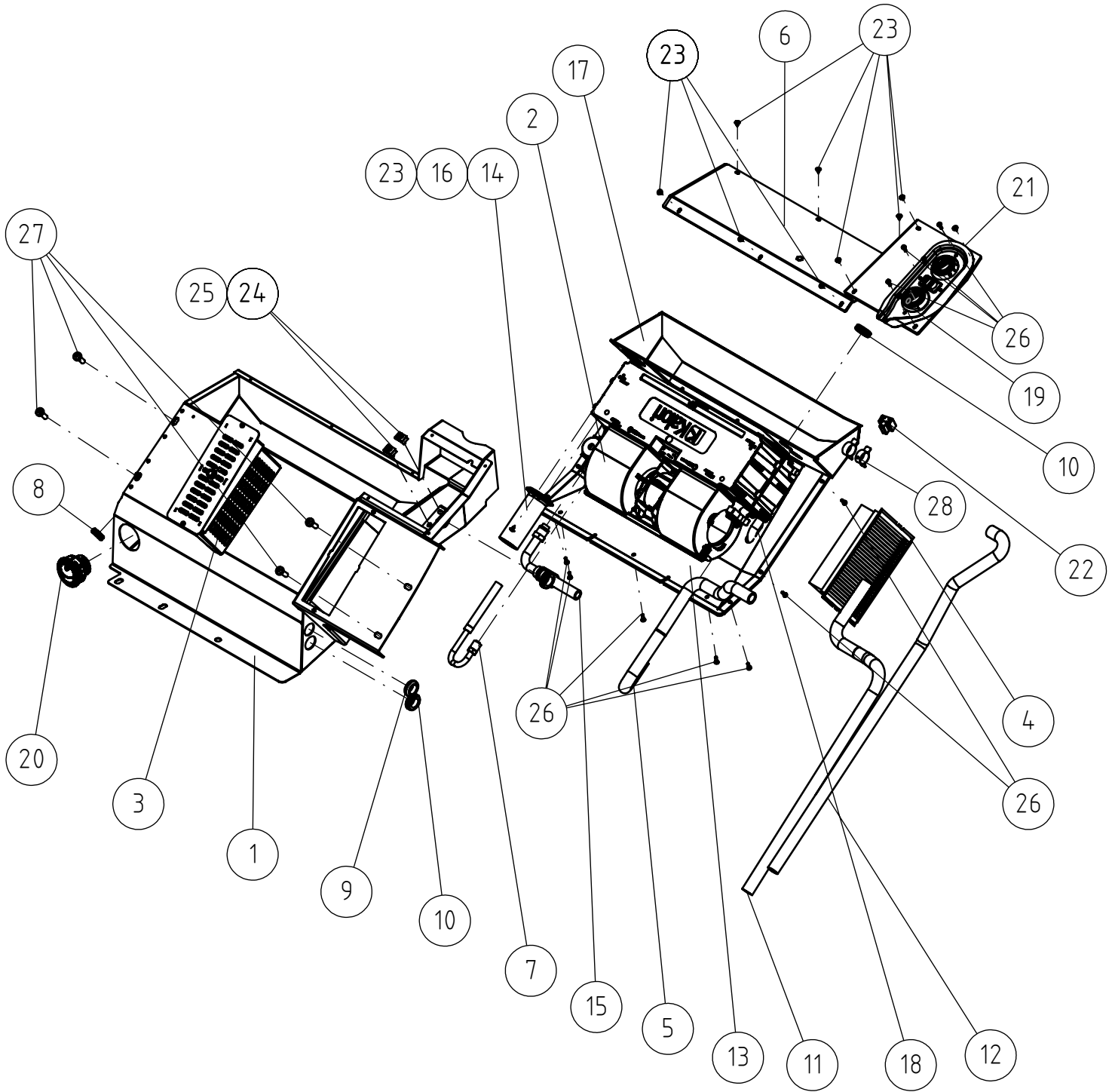
22.8.2023

A438326 AIR CONDITIONING CAB GT

REF	PART NO	QTY	DESCRIPTION	NOTES	PAGE
1	A435120	1	CONDENSER WITH COVER PANEL, A/C CAB GT		-
2	A438321	1	HOSE EXTENSION-CONDENSER, A/C CAB GT		-
3	A438324	1	HOSE CONDENSER-RECEIVER DRIER, A/C CAB		-
4	A438106	1	RECEIVER DRIER WITH MOUNTING BRACKET A/C		-
5	A434047	1	HEATER MODULE CAB GT		144
6	65515	1	COMPRESSOR, AIR CONDITIONING		-
6.1	A431604	1	TEMPERATURE SWITCH COMPRESSOR AC		-
7	A413458	1	BRACKET		-
8	65572	1	V-BELT SPZ760		-
9	A414540	1	V BELT PULLEY, DOUBLE		-
10	A414503	1	ADJUSTMENT PLATE, COMPRESSOR A/C		-
11	A438327	1	HOSE COMPRESSOR RETURN A/C CAB GT		-
12	A438330	1	HOSE COMPRESSOR-CONDENSER, A/C CAB GT		-

22.8.2023

A434047 HEATER MODULE CAB GT



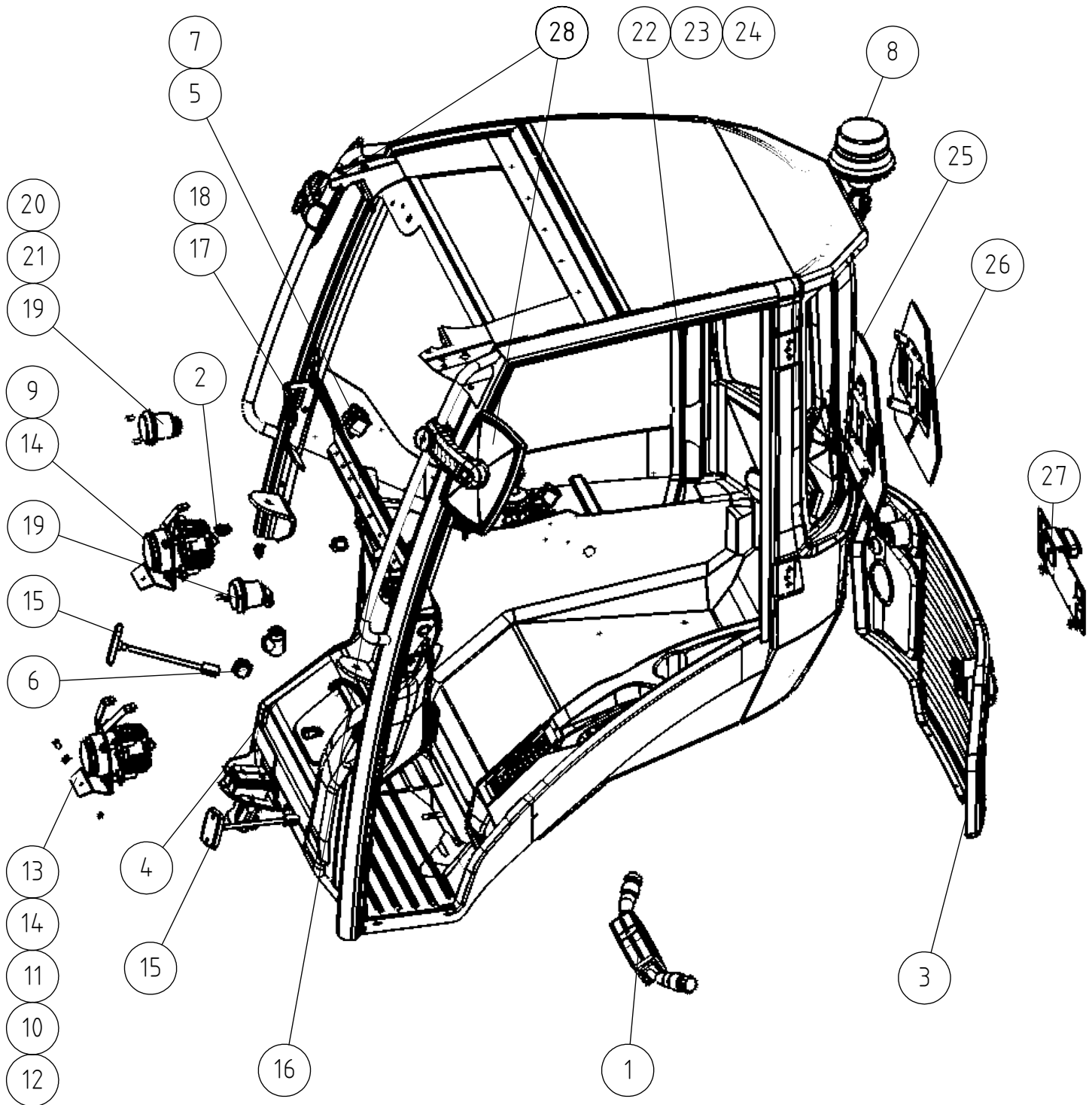
22.8.2023

A434047 HEATER MODULE CAB GT

REF	PART NO	QTY	DESCRIPTION	NOTES	PAGE
1	A434046	1	HOUSING, HEATER CAB GT		-
2	A436383	1	HEATER CAB GT 6,6/4,5 KW KOOL KOMBI E		-
3	A434672	1	HOUSING AIR FILTER CAB		-
4	A422597	1	AIR FILTER CARTRIDGE CAB		-
5	A434090	1	HOSE HEATER CAB GT		-
6	A434450	1	COVER PLATE HEATER CHANNEL CAB GT		-
7	A438218	1	REFRIGERANT HOSE L=900 ASSEMBLY		-
8	65525	1	GROMMET F27/21/13		-
9	65526	1	GROMMET F32/25/19		-
10	A434302	3	GROMMET F32/25/19 60SH		-
11	A434303	1	INLET HOSE HEATER CAB GT		-
12	A434304	1	RETURN HOSE HEATER CAB GT		-
13	A436401	1	LID HEATER CAB GT		-
15	A436554	1	REFRIGERANT HOSE HEATER CAB GT		-
16	A436387	1	HOSE FITTING 40MM		-
17	A438219	1	ISOLATION PLATE HEATER CHANNEL CAB GT		-
18	A413467	2	WATER HOSE, CONDENSATION WASSER		-
19	65514	1	THERMOSTAT, HEATER, CAB		-
20	A436549	1	NOZZLE 60MM AIR FLOW CAB GT		-
21	A437682	1	FRAME, HEATER ADJUSTMENT KNOB CAB GT		-
22	A436290	1	WIRE HARNESS HEATER/AIRCON CAB GT		-
23	A436550	12	PAN HEAD MACHINE SCREW M3,9*9,5		-
24	75172	2	SPEED NUT M5 FOR 0.5-4.0 MM PLATE		-
25	74771	2	PAN HEAD MACHINE SCREW M5* 25		-
26	A430277	16	TORX SCREW M4*12		-
27	75128	4	THREAD-FORMING SCREW M8*25 DIN 7500C		-
28	A438229	4	HOSE CLAMP D23		-

22.8.2023

A438524 ROAD TRAFFIC KIT CAB GT 860I



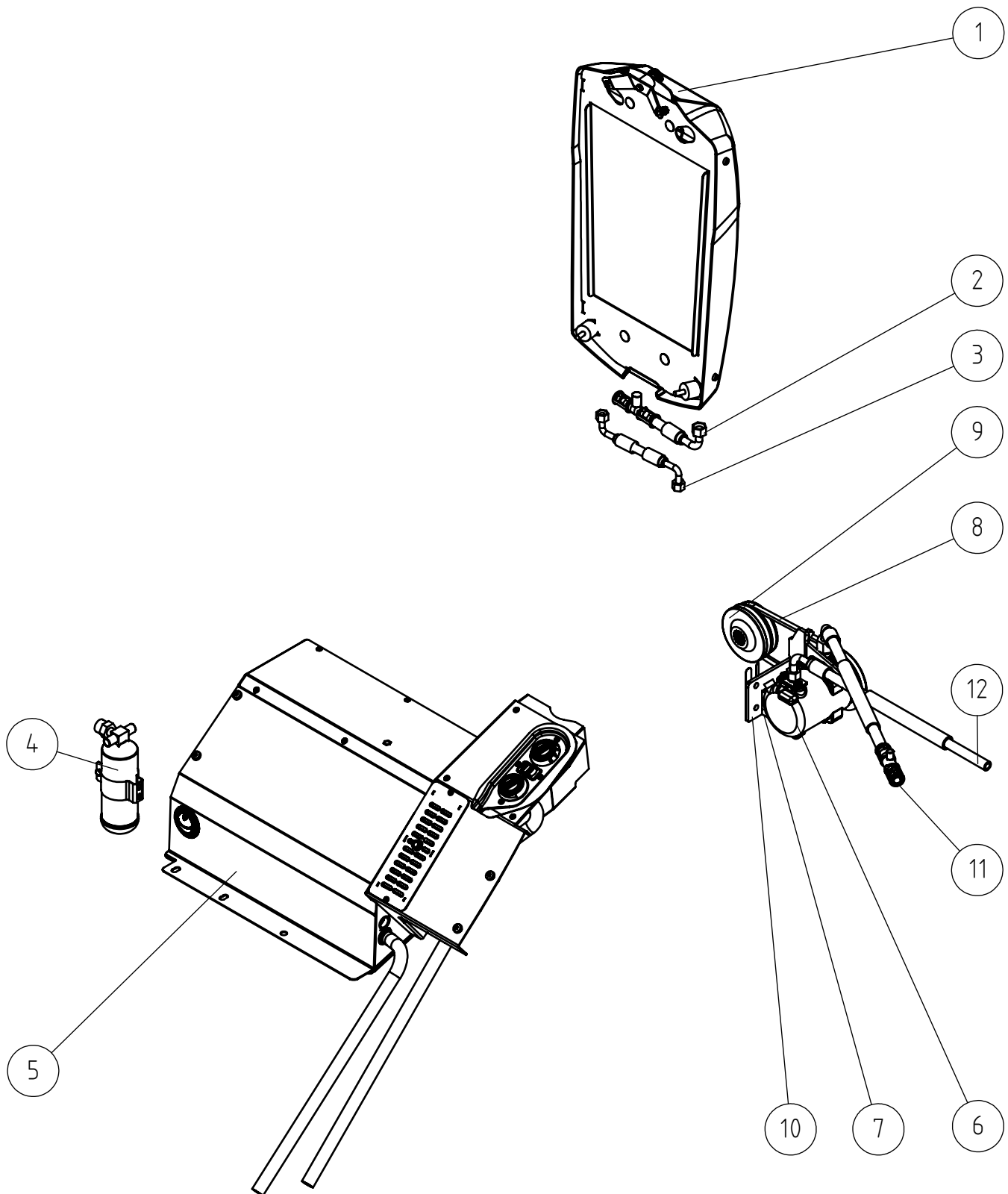
22.8.2023

A438524 ROAD TRAFFIC KIT CAB GT 860I

REF	PART NO	QTY	DESCRIPTION	NOTES	PAGE
1	65640	1	LIGHTS/WINDSCREEN WIPER LEVER SWITCH		-
2	A438302	2	ADAPTER CABLE BI-HALOGEN		-
3	A437383	1	REAR GRILLE WITH LIGHTS, ASSEMBLY,		-
3.1	65548	2	TAIL LIGHT RED COBO		-
4	65036	1	INDICATOR RELAY 12V 170W WEH-53 201 101		-
5	65064	1	SWITCH, WARNING BLINKER		-
6	A436097	1	WIRE HARNESS ROAD TRAFFIC KIT KOHLER STG		-
6.1	A438175	2	RELAY 12V/30A		-
6.2	65751	1	INDICATOR RELAY 12V 84W WEH-54 201 102		-
6	A441942	1	ADAPTER, CAB GT <=> TIER 4 ROAD TRAFFIC		-
7	65065	1	SWITCH, BEACON		-
8	A438530	1	BEACON 800 SERIES		-
9	A431806	1	MOUNTING BRACKET RIGHT, FRONT LIGHT		-
10	A422221	1	WASHER M6 GREEN PLASTIC, ANALOG FOR		-
11	74767	1	RAISED COUNTERSUNK HEAD SCREW M6*20		-
12	72318	1	HEXAGONAL NUT M 6 DIN 985 NYLOC		-
13	A434264	1	MOUNTING BRACKET LEFT, FRONT LIGHT		-
14	A437533	2	HEADLIGHT LED, LOW BEAM AND HIGH BEAM		-
15	A431706	2	PARKING LIGHT FRONT 12V 83X47X14,4MM		-
16	A438718	1	MOUNTING BRACKET LEFT HEADLAMP ROAD		-
17	A438721	1	MOUNTING BRACKET RIGHT HEADLAMP ROAD		-
18	75129	4	THREAD-FORMING SCREW M6*16 DIN 7500C		-
19	64849	2	BLINKER		-
20	74778	4	PAN HEAD SCREW M3*20		-
21	74535	4	HEXAGONAL NUT M3		-
22	A435070	1	SLOW MOVING VEHICLE TRIANGLE 430X45X30		-
23	A438769	1	MOUNTING BRACKET WARNING TRIANGLE CAB GT		-
24	A429914	2	TORX SCREW 5X20 10.9		-
25	A438396	1	SLOW MOVING VEHICLE SIGN WITH BRACKET		-
26	A438374	1	SIGN, SLOW MOVING VEHICLE, RED		-
27	A442240	1	MOUNTING BRACKET ASSEMBLY LICENCE PLATE		-
28	A437856	2	SIDE MIRROR WITH ARM CAB GT		-
28.1	A437934	1	SIDE MIRROR R1400		-
28.2	A437935	1	ARM SIDE MIRROR		-

22.8.2023

A438326 AIR CONDITIONING CAB GT



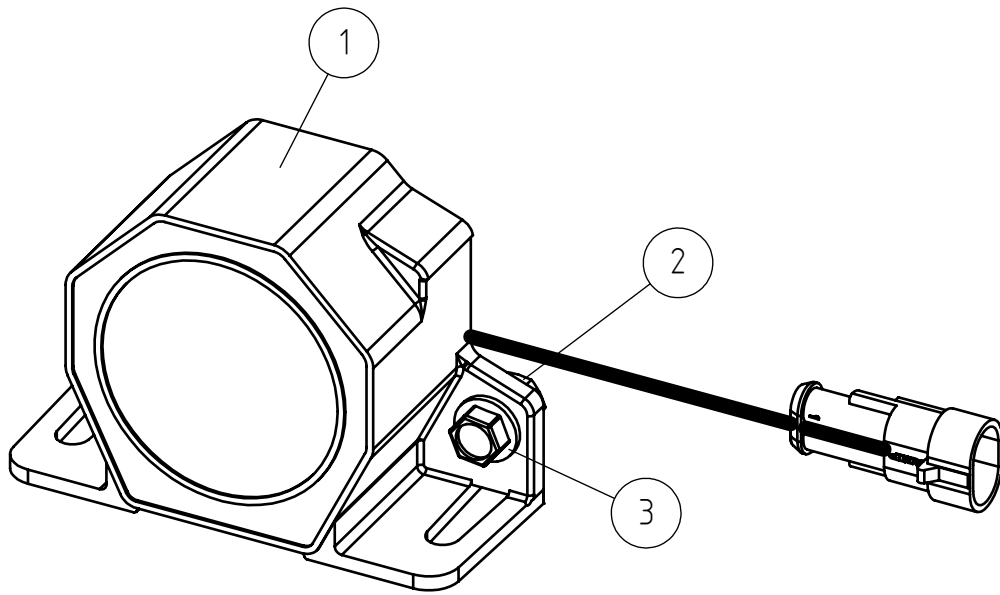
22.8.2023

A438326 AIR CONDITIONING CAB GT

REF	PART NO	QTY	DESCRIPTION	NOTES	PAGE
1	A435120	1	CONDENSER WITH COVER PANEL, A/C CAB GT		-
2	A438321	1	HOSE EXTENSION-CONDENSER, A/C CAB GT		-
3	A438324	1	HOSE CONDENSER-RECEIVER DRIER, A/C CAB		-
4	A438106	1	RECEIVER DRIER WITH MOUNTING BRACKET A/C		-
5	A434047	1	HEATER MODULE CAB GT		144
6	65515	1	COMPRESSOR, AIR CONDITIONING		-
6.1	A431604	1	TEMPERATURE SWITCH COMPRESSOR AC		-
7	A413458	1	BRACKET		-
8	65572	1	V-BELT SPZ760		-
9	A414540	1	V BELT PULLEY, DOUBLE		-
10	A414503	1	ADJUSTMENT PLATE, COMPRESSOR A/C		-
11	A438327	1	HOSE COMPRESSOR RETURN A/C CAB GT		-
12	A438330	1	HOSE COMPRESSOR-CONDENSER, A/C CAB GT		-

22.8.2023

A438525 REVERSE BEEPER, KIT, 755I/760I/860I



22.8.2023

A438525 REVERSE BEEPER, KIT, 755I/760I/860I

REF	PART NO	QTY	DESCRIPTION	NOTES	PAGE
1	A430858	1	REVERSE BEEPER WITH WIRE		-
2	74781	2	HEXAGONAL NUT M6 WITH FLANGE		-
3	A431967	2	HEXAGONAL SERRATED SCREW M6*16 W. FLANG		-

AVANT[®]

Varaosat Spare parts

Manufacturer:

AVANT[®]

AVANT TECNO OY

e-mail: sales@avanttecho.com

Ylötie 1

33470 Ylöjärvi

FINLAND

Tel. +358 3 347 8800

Fax +358 3 348 5511