

AVANT[®] 735

**Varaosakirja
Parts Manual
Dellista
Ersatzteilliste**



**Serial numbers: XXXXXX2333 ->
Cabin GT / Kubota VI505**

Table Of Contents

A461689	AVANT 735 SER2 KUBOTA V1505	6
A452147	FRONT FRAME ASSEMBLY 700 SERIES 11/2022	8
A34964	TELESCOPIC BOOM HD COMPLETE, 700 SERIES	10
A34965	OUTER BOOM HD, ASSEMBLY, 700 SERIES	12
A34966	INNER BOOM HD, ASSEMBLY, 700 SERIES	14
A436601	ATTACHMENT COUPLING PLATE CAST STEEL 700	16
A436614	LOCKING PIN ASSEMBLY ATTACHM COUPL PLATE	18
A436687	LINKAGE PIECE "BOOMERANG" CAST STEEL	20
65252	MULTI CONNECTOR, ON LOADER	22
A445631	BOOM SELF LEVELLING 700 SERIES	24
A449741	DIRECTIONAL VALVE ASSEMBLY BOOM FLOAT &	26
A450588	CONTROL VALVE ASSEMBLY HDS16	28
A429030	CONTROL VALVE HDS16	30
A452569	CONTROL LEVERS ASSEMBLY CONTROL VALVE	32
A436748	CONTROL LEVER AUX. HYDR. FRONT ASSEMBLY	34
A452574	STEERING COLUMN ASSEMBLY	36
A452815	HYDRAULIC HOSES ORBITROL 600-700 SERIES	38
A440870	DRIVE PEDAL ASSEMBLY 700 SERIES	40
A422190	HYDR. HOSES DRIVE PEDAL 700 SERIES	42
A446008	HYDRAULIC OIL COOLER ASSEMBLY 500-700	44
A449648	HYDRAULIC MANIFOLD ASSEMBLY	46
A461691	REAR FRAME ASSEMBLY 735 SER3 KUBOTA	48
A441337	REAR CHASSIS ASSEMBLY 700 SERIES	50
A37449	ARTICULATION JOINT ASSEMBL REAR FRAME	52
A415984	LOAD SENSOR SYSTEM, COMPLETE ASSEMBLY	54
A36913	REAR WEIGHT (BUMPER) 168 KG, ASSEMBLY	56
A456555	ENGINE BAY 735, 745, 750, 850	58
A441676	FUEL SYSTEM ASSEMBLY WITH FILTER 700/800	60
A461705	AIR FILTER ASSEMBLY AVANT 735 SER2	62
A455668	HYDRAULIC MANIFOLD WITH HOSES ASSEMBLY	64
A436129	FUEL TANK ASSEMBLY 66L	66
A460851	ENGINE V1505 AVANT 735 SER2 ASSEMBLY	68
A462305	ENGINE MOUNTS ASSEMBLY KUBOTA V1505 STG5	70
A461342	ENGINE ASSEMBLY KUBOTA V1505 19KW STG5	72
A461143	WIND TUNNEL NO. 2 ASSEMBLY	74
A460889	RADIATOR ASSEMBLY	76
A461935	RADIATOR HOSES ASSEMBLY AVANT 735	78
A458167	HYDRAULIC PUMPS ASSEMBLY 635I 640I	80
A449801	VARIABLE DISPL. PUMP 26CC+9CC 370 BAR	82
A441520	EXHAUST MUFFLER & PIPE AVANT 735	84
A462015	ROPS/FOPS CAB ASSEMBLY 600-700 SERIES	86
A49119	ROPS FRAME WITH FOPS CANOPY, 600/700 SER	88
A462011	SEAT BASE ASSEMBLY 500-700 SERIES	90
A439987	INSTRUMENT PANEL WITH DECAL 700 / 800	92
A460604	ELECTRIC COMPONENTS 735/745/750	94

<u>A460853</u>	<u>POWER SUPPLY ASSEMBLY 735-850 KUBOTA</u>	<u>96</u>
<u>A453565</u>	<u>VECU & FUSE BOXES ON MOUNTING BRACKET</u>	<u>98</u>
<u>A435860</u>	<u>DASHBOARD ASSEMBLY 700-800 ROPS</u>	<u>100</u>
<u>A451115</u>	<u>COVER PLATES KIT, ABS 700 SERIES ROPS</u>	<u>102</u>
<u>A446265</u>	<u>COVER PLATES FRONT FRAME ABS 500-700</u>	<u>104</u>
<u>A450770</u>	<u>WORK LIGHTS LED ON FRONT COVERS ASSEMBLY</u>	<u>106</u>
<u>A442266</u>	<u>COVER PLATES ABS, KIT, REAR FRAME</u>	<u>108</u>
<u>A452920</u>	<u>HYDR. HOSES DRIVE, WITH ANTI SLIP 700</u>	<u>110</u>
<u>A454023</u>	<u>HYDRAULIC MANIFOLD 1-SPEED DRIVE RELEASE</u>	<u>112</u>
<u>A445009</u>	<u>HYDRAULIC MOTOR ASSEMBLY 398 CCM POCLAIN</u>	<u>114</u>
<u>65670</u>	<u>HYDRAULIC MOTOR MSE02 398CCM</u>	<u>116</u>
<u>65671</u>	<u>HYDRAULIC MOTOR B MSE02 398CCM W. BRAKE</u>	<u>118</u>
<u>A449937</u>	<u>CAB L</u>	<u>120</u>
<u>A443979</u>	<u>WINDSCREEN WIPER ASSEMBLY CAB L 523-760I</u>	<u>122</u>
<u>A446010</u>	<u>TANK ASSEMBLY WINDSCREEN WASHER</u>	<u>124</u>
<u>A444539</u>	<u>CAB GT, 700 SERIES</u>	<u>126</u>
<u>A453487</u>	<u>BASIC PARTS CAB GT</u>	<u>128</u>
<u>A448117</u>	<u>FRAME CAB GT</u>	<u>130</u>
<u>A438895</u>	<u>LATCH ASSEMBLY</u>	<u>132</u>
<u>A453483</u>	<u>DOOR AND WINDOWS ASSEMBLY CAB GT</u>	<u>134</u>
<u>A445896</u>	<u>WINDSCREEN ASSEMBLY CAB GT</u>	<u>136</u>
<u>A449928</u>	<u>WINDSCREEN WIPER ASSEMBLY CAB GT</u>	<u>138</u>
<u>A436771</u>	<u>REAR WINDOWS CAB GT</u>	<u>140</u>
<u>A434952</u>	<u>WINDOW RIGHT ASSEMBLY CAB GT</u>	<u>142</u>
<u>A436900</u>	<u>SUNROOF ASSEMBLY CAB GT</u>	<u>144</u>
<u>A434950</u>	<u>DOOR ASSEMBLY CAB GT</u>	<u>146</u>
<u>A453489</u>	<u>UPHOLSTERY ASSEMBLY CAB GT</u>	<u>148</u>
<u>A434208</u>	<u>FLOOR MAT ASSEMBLY CAB GT</u>	<u>150</u>
<u>A436615</u>	<u>HEAT SHIELD ASSEMBLY CAB GT</u>	<u>152</u>
<u>A436754</u>	<u>UPHOLSTERY PANELS B-PILLARS CAB GT</u>	<u>154</u>
<u>A436635</u>	<u>AIR DUCTS ASSEMBLY CAB GT</u>	<u>156</u>
<u>A434410</u>	<u>SERVICE HATCH ASSEMBLY CAB GT</u>	<u>158</u>
<u>A438892</u>	<u>UPHOLSTERY ASSEMBLY CEILING CAB GT</u>	<u>160</u>
<u>A438887</u>	<u>SUN VISOR ASSEMBLY CAB GT</u>	<u>162</u>
<u>A438452</u>	<u>NET POCKET ASSEMBLY CAB GT</u>	<u>164</u>
<u>A438443</u>	<u>NET POCKET REAR ASSEMBLY CAB GT</u>	<u>166</u>
<u>A448127</u>	<u>CONTROLS ASSEMBLY CAB GT</u>	<u>168</u>
<u>A465450</u>	<u>CONTROLS ASSEMBLY CAB GT</u>	<u>170</u>
<u>A436574</u>	<u>DASHBOARD CAB GT / DLX</u>	<u>172</u>
<u>A449724</u>	<u>SEAT FULL SUSPENSION FABRIC HEATER MSG65</u>	<u>174</u>
<u>A438246</u>	<u>HEATER ASSEMBLY CAB GT</u>	<u>176</u>
<u>A442729</u>	<u>SUBFRAME CAB GT</u>	<u>178</u>
<u>A465346</u>	<u>HEATER HOSES IN ENGINE COMPARTMENT</u>	<u>180</u>
<u>A450869</u>	<u>AIR CONDITIONING ASSEMBLY CAB GT</u>	<u>182</u>
<u>A434047</u>	<u>HEATER MODULE CAB GT</u>	<u>184</u>

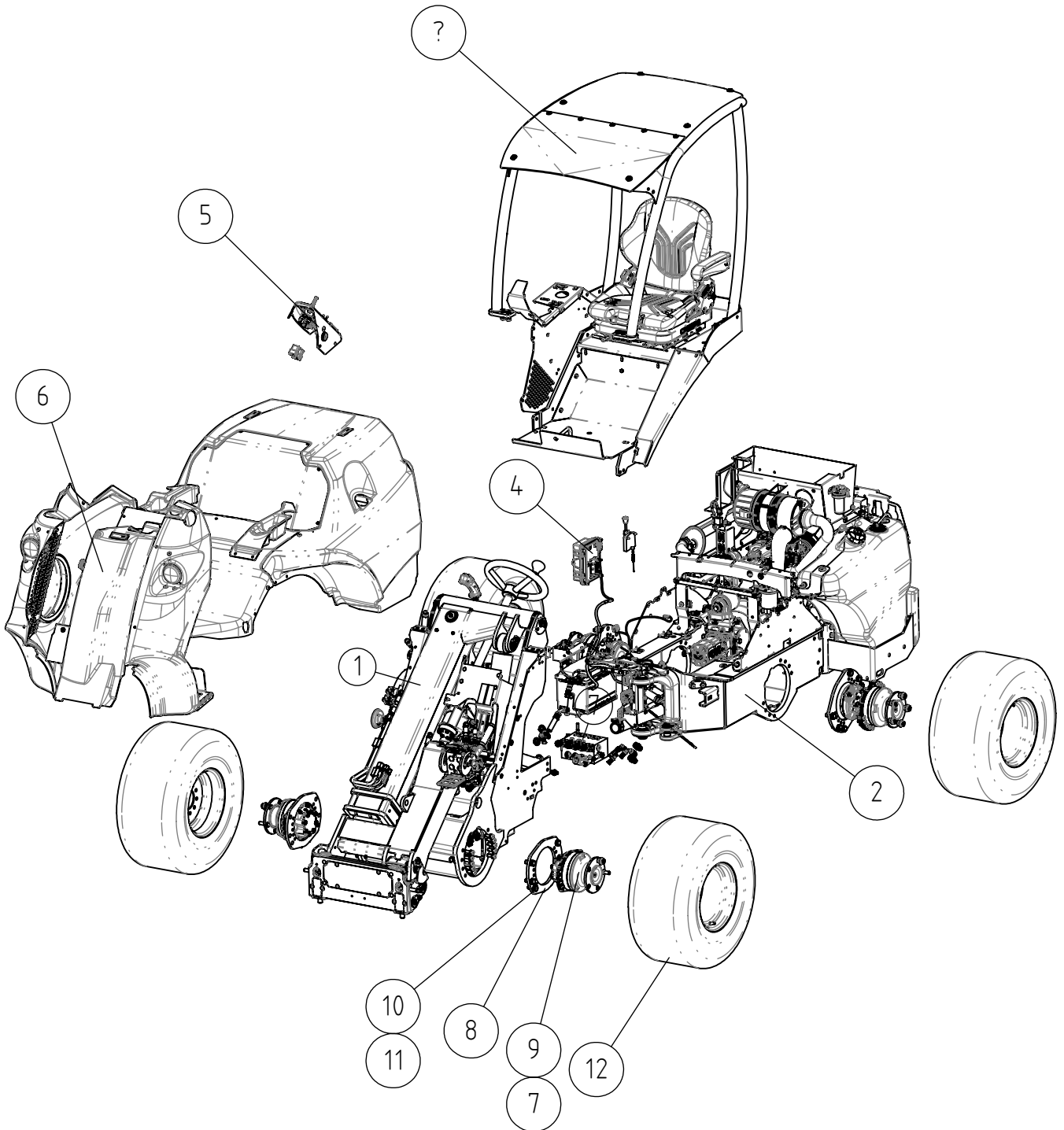
--->

<u>A449155</u>	<u>CONDENSER WITH RECEIVER DRIER A/C CAB GT</u>	<u>186</u>
<u>A37135</u>	<u>COMPRESSOR, ASSEMBLY, A/C 600 SERIES</u>	<u>188</u>
<u>A450647</u>	<u>SMOOTH DRIVE - BOOM SUSPENSION 800</u>	<u>190</u>
<u>A449669</u>	<u>SOLENOID VALVE 2/2</u>	<u>192</u>
<u>A453186</u>	<u>HYDRAULIC QUICK ATTACH PLATE 800 SERIES</u>	<u>194</u>
<u>A449703</u>	<u>VALVE ASSEMBLY HYDR. ATTACHMENT COUPLING</u>	<u>196</u>
<u>A454220</u>	<u>ATTACHMENT CONTROL SWITCH PACK</u>	<u>198</u>
<u>A450467</u>	<u>AUX. HYDRAULICS OUTLET REAR DOUBLE</u>	<u>200</u>
<u>A450468</u>	<u>EXTRA AUX. HYDRAULICS OUTLET FRONT,</u>	<u>202</u>
<u>A434868</u>	<u>ANTI SLIP VALVE 800 SERIES OPTIDRIVE</u>	<u>204</u>
<u>A454024</u>	<u>HYDRAULIC MANIFOLD ANTI SLIP VALVE</u>	<u>206</u>
<u>A435400</u>	<u>JOYSTICK 8 FUNCTION WITH ANTI SLIP</u>	<u>208</u>
<u>A417323</u>	<u>BALL HITCH, REAR, 50 MM COMPLETE ASSEMBLY</u>	<u>210</u>
<u>A417337</u>	<u>BALL HITCH, REAR, 50MM WITH TOWING PIN</u>	<u>212</u>
<u>A444928</u>	<u>BALL HITCH REAR WITH TOWING PIN F50</u>	<u>214</u>
<u>A438520</u>	<u>WORK LIGHT KIT, 3 LED LIGHTS 700 LUMEN</u>	<u>216</u>
<u>A438528</u>	<u>WORK LIGHT KIT LED 700LM CAB GT</u>	<u>218</u>
<u>A454167</u>	<u>ROAD TRAFFIC KIT, ON ROPS 860I, WEEK</u>	<u>220</u>
<u>A452132</u>	<u>HEADLAMP ASSEMBLY AVANT 800 CAB GT &</u>	<u>222</u>
<u>A455539</u>	<u>ROAD TRAFFIC KIT CAB GT 800 SERIES, WEEK</u>	<u>224</u>
<u>A438530</u>	<u>BEACON 800 SERIES</u>	<u>226</u>
<u>A418817</u>	<u>TRAILER SOCKET 7 PIN, KIT, 700/800</u>	<u>228</u>
<u>A419474</u>	<u>ENGINE BLOCK HEATER, 755I/760I/860I</u>	<u>230</u>
<u>A438525</u>	<u>REVERSE BEEPER, KIT, 755I/760I/860I</u>	<u>232</u>

2.2.2024

4/232

A461689 AVANT 735 SER2 KUBOTA V1505



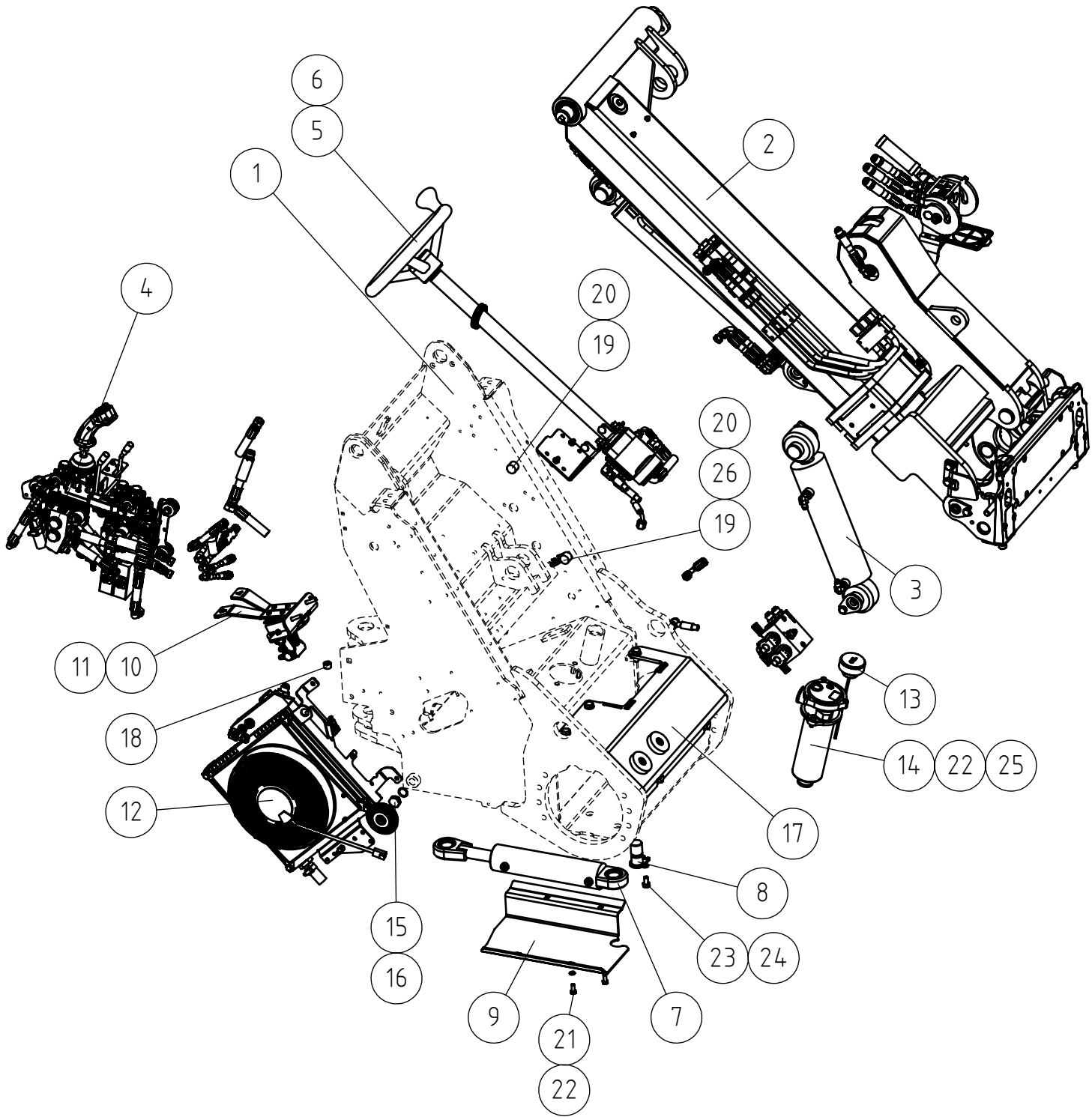
2.2.2024

A461689 AVANT 735 SER2 KUBOTA V1505

REF	PART NO	QTY	DESCRIPTION	NOTES	PAGE
1	A452147	1	FRONT FRAME ASSEMBLY 700 SERIES 11/2022		8
2	A461691	1	REAR FRAME ASSEMBLY 735 SER3 KUBOTA		48
3	A462015	1	ROPS/FOPS CAB ASSEMBLY 600-700 SERIES		86
4	A460604	1	ELECTRIC COMPONENTS 735/745/750		94
5	A435860	1	DASHBOARD ASSEMBLY 700-800 ROPS		100
6	A451115	1	COVER PLATES KIT, ABS 700 SERIES ROPS		102
7	A452920	1	HYDR. HOSES DRIVE, WITH ANTI SLIP 700		110
8	A417375	4	MOUNTING PLATE HYDR. MOTOR 745 POCLAIN		-
9	A445009	1	HYDRAULIC MOTOR ASSEMBLY 398 CCM POCLAIN		114
10	74799	24	HEXAGONAL SCREW M16*35 DIN 933		-
11	74533	24	WASHER, PAIR, M16 NL16 NORDLOCK		-
12	65224	4	WHEEL (TYRE+RIM) 10 HOLE 320/60-12 TR HD		-
12	65506	4	WHEEL 320/55-15 10 HOLES, TRACTOR PROFIL		-
12	65739	4	WHEEL 26*12.00-12 TRACTOR, 10 HOLE RIM		-
12	65414	4	WHEEL 27*8.50-15 10 HOLE RIM TRACTORPROF		-
12	65958	4	WHEEL (TYRE+RIM) 400/50-15 10-HOLE		-

2.2.2024

A452147 FRONT FRAME ASSEMBLY 700 SERIES 11/2022

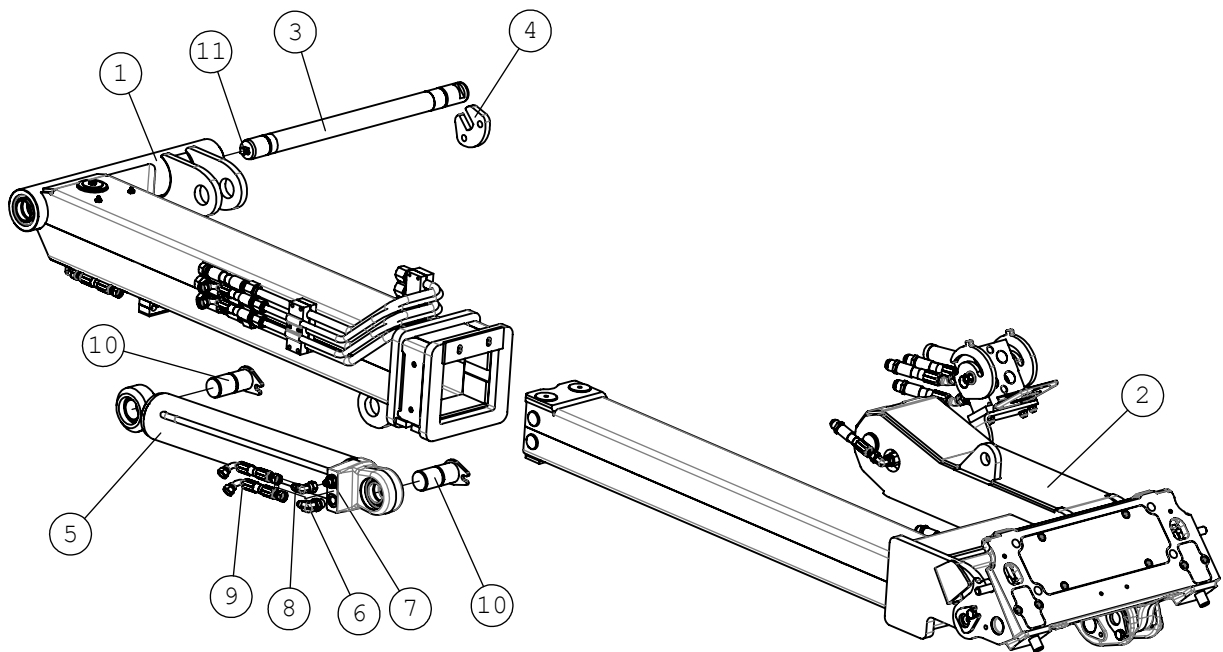


2.2.2024

A452147 FRONT FRAME ASSEMBLY 700 SERIES 11/2022

REF	PART NO	QTY	DESCRIPTION	NOTES	PAGE
1	A448124	1	FRONT FRAME 700 SERIES 11/2022		-
2	A34964	1	TELESCOPIC BOOM HD COMPLETE, 700 SERIES		10
2.1	A430736	1	SLIDE PAD KIT TELESCOPIC BOOM A34964 700		-
3	A445631	1	BOOM SELF LEVELLING 700 SERIES		24
4	A450588	1	CONTROL VALVE ASSEMBLY HDS16		28
5	A452574	1	STEERING COLUMN ASSEMBLY		36
6	A452815	1	HYDRAULIC HOSES ORBITROL 600-700 SERIES		38
7	A49825	1	HYDR. CYLINDER STEERING 50/30-172		-
7.1	65567	1	SEAL KIT, CYLINDER F60/F30		-
8	A47655	1	PIVOT PIN F30-60		-
9	A410452	1	BOTTOM PLATE		-
10	A440870	1	DRIVE PEDAL ASSEMBLY 700 SERIES		40
11	A422190	1	HYDR. HOSES DRIVE PEDAL 700 SERIES		42
12	A446008	1	HYDRAULIC OIL COOLER ASSEMBLY 500-700		44
13	A48010	1	DIPSTICK L=230 HYDR. OIL R1 1/4"		-
14	65205	1	HYDR. OIL FILTER RETURN, COMPLETE		-
14.1	65227	1	HYDR. OIL FILTER CARTRIDGE, RETURN		-
14.2	A427821	1	SEAL KIT HYDRAULIC RETURN OIL FILTER		-
14.3	A430808	1	FILTER BOWL LONG, HYDR. RETURN OIL		-
15	64352	1	HEXAGONAL DRAIN PLUG, MAGNETIC R 1/2		-
16	75117	1	SEAL RING F26/F21*1,5		-
17	A446013	1	COVER WITH STOPPERS		-
18	A413262	2	BUSHING F19/F10, FLOOR RAISING, 700		-
19	65238	2	RUBBER MOUNT, CYLINDRICAL		-
20	74781	2	HEXAGONAL NUT M6 WITH FLANGE		-
21	72130	4	HEXAGONAL SCREW M8*20		-
22	75100	6	SPACER NORDLOCK M8 NL8, PAIR		-
23	73040	1	HEXAGONAL SCREW M10*20 DIN 933 ZN		-
24	74531	1	SPACER NORDLOCK M10, PAIR		-
25	71884	2	HEXAGONAL HEAD SCREW M 8*25 DIN 912 2		-
26	A442639	1	CABLE TIE 7,6*390 M6 BLACK		-

A34964 TELESCOPIC BOOM HD COMPLETE, 700 SERIES



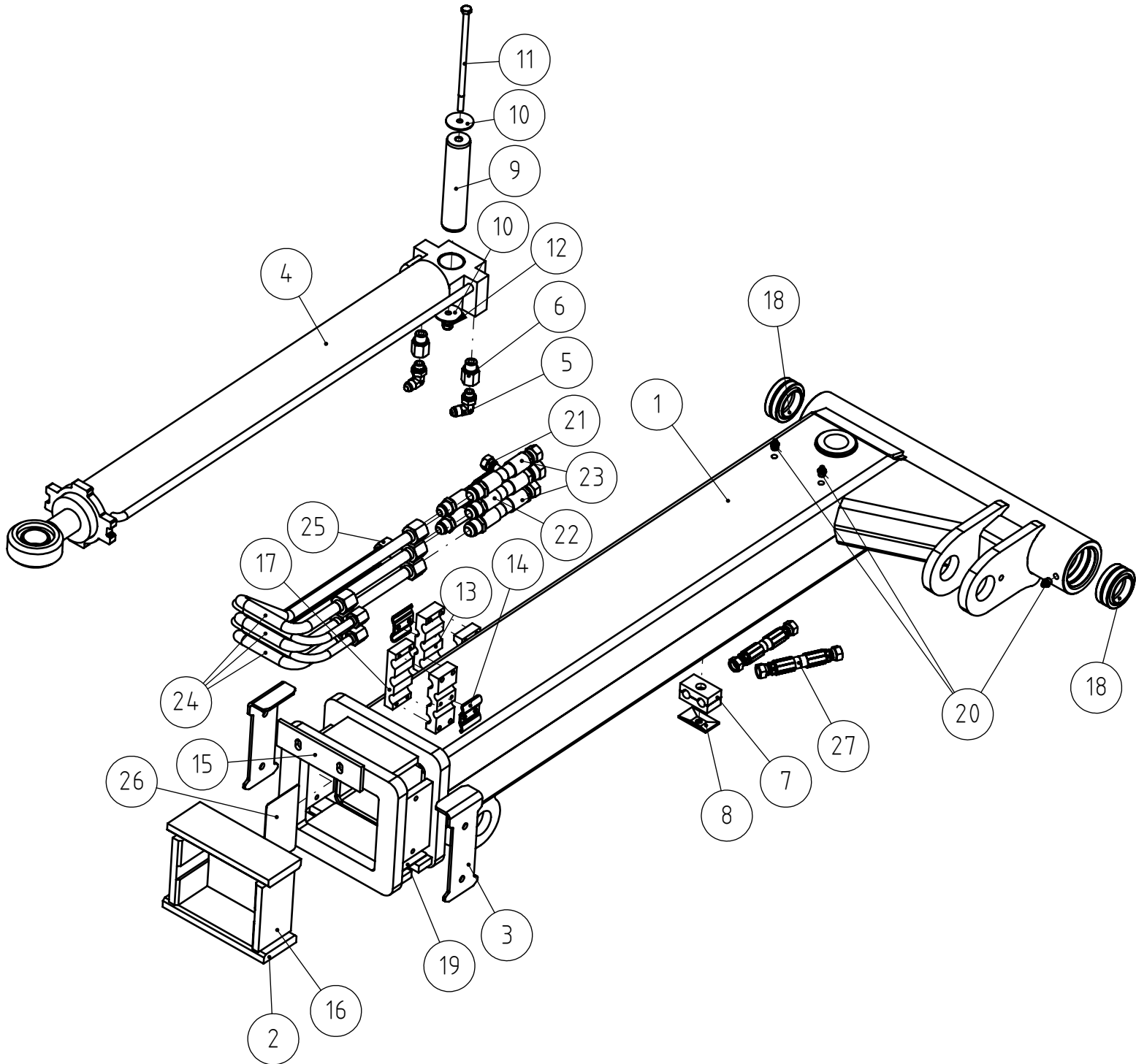
2.2.2024

A34964 TELESCOPIC BOOM HD COMPLETE, 700 SERIES

REF	PART NO	QTY	DESCRIPTION	NOTES	PAGE
1	A34965	1	OUTER BOOM HD, ASSEMBLY, 700 SERIES		12
2	A34966	1	INNER BOOM HD, ASSEMBLY, 700 SERIES		14
3	A49725	1	PIVOT PIN F40-564		-
4	A49723	1	LOCKING PLATE		-
5	A420808	1	HYDRAULIC CYLINDER F80/F40-450		-
5.1	65002	1	SEAL KIT, 80/40CYLINDER		-
5.2	64911	2	ARTICUL. BEARING GE40ES F62/40-28(22)		-
6	64044	1	ELBOW FITTING 90° C40XS10-3/8 /8		-
7	64041	1	BASIC FITTING F40XS10-3/8 /8		-
8	64043	1	ELBOW FITTING 90° C6XS10		-
9	A47635	2	HYDR. HOSE L=1720 2LW-06		-
10	A47041	2	PIVON PIN F40-90		-
11	74082	1	GREASE NIPPLE R1/8" 90 DEGREE		-
-	A430736	1	SLIDE PAD KIT TELESCOPIC BOOM A34964 700		-

2.2.2024

A34965 OUTER BOOM HD, ASSEMBLY, 700 SERIES



2.2.2024

A34965 OUTER BOOM HD, ASSEMBLY, 700 SERIES

REF	PART NO	QTY	DESCRIPTION	NOTES	PAGE
1	A455132	1	OUTER BOOM HD 700 SERIES		-
2	A48339	2	SLIDE PAD 15*72*194		-
3	A412833	2	COVER PLATE		-
4	A412829	1	HYDR. CYLINDER F63/F36 TELESCOPE 700SE		-
4.1	A418403	1	SEAL KIT, 63/36 CYLINDER TELEBOOM 700 SE		-
4.2	A450703	1	ARTICULATION BEARING GE35ES 55/35-25(20)		-
4.3	A442987	1	SLIDE BEARING F39/F35-30		-
5	64087	2	ELBOW FITTING 90 DEGR. /4#		-
6	64324	2	REDUCER FITTING RI 3/8"-EDX 1/4"		-
7	64886	1	PIPE CLAMP 214/14		-
8	73767	1	COVER PLATE GD2-D, PIPE CLAMP		-
9	A412867	1	PIVOT PIN F35 L=157		-
10	A48492	2	WASHER M8X40		-
11	74757	1	HEXAGONAL SCREW M8*180 DIN 931		-
12	72320	1	HEXAGONAL NUT M8 NYLOC DIN 985		-
13	A47562	1	BRACKET, HYDR.PIPE F16/F12		-
14	A47563	2	BRACKET, HYDR.PIPE F12		-
15	A48367	1	SCRAPER		-
16	A412868	2	SLIDE PAD 15X72X118		-
17	A47561	1	BRACKET, HYDR. PIPE F16		-
18	64911	2	ARTICUL. BEARING GE40ES F62/40-28(22)		-
19	A48014	1	ADJUSTMENT PLATE 1 MM, LONG		-
20	72798	3	GREASE NIPPLE R 1/8" STRAIGHT		-
21	A47638	2	HYDR. HOSE L=1610 2LW-06		-
22	A47681	1	HYDR. HOSE L=1020 1LW-08		-
23	A47639	2	HYDR. HOSE L=1100 2LW-08		-
24	A413413	3	HYDRAULIC TUBE F16		-
25	A413414	2	HYDRAULIC TUBE F12		-
26	A412971	1	ADJUSTMENT PLATE 117X72 1MM		-
27	A414606	2	HYDR. HOSE L=1400		-

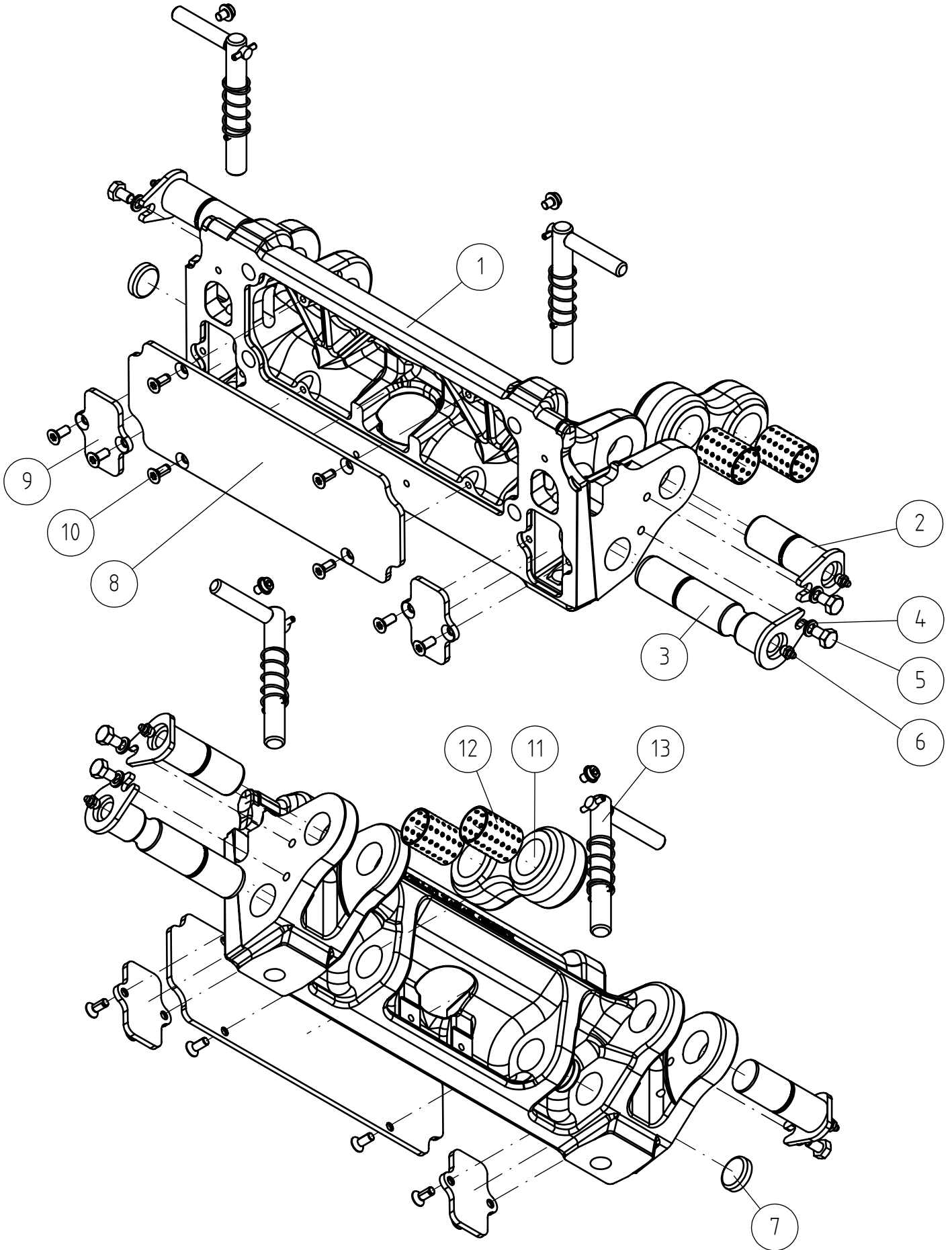
2.2.2024

A34966 INNER BOOM HD, ASSEMBLY, 700 SERIES

REF	PART NO	QTY	DESCRIPTION	NOTES	PAGE
1	A457006	1	INNER BOOM 700 SERIES		-
2	A47941	2	SLIDE PLATE		-
3	A47922	2	ROLLER, BOOM		-
4	A48343	4	ROLLER, BOOM		-
5	A34979	1	CONNECTING ROD		-
6	A436601	1	ATTACHMENT COUPLING PLATE CAST STEEL 700		16
7	A436687	1	LINKAGE PIECE "BOOMERANG" CAST STEEL		20
8	A412830	1	HYDR. CYLINDER F100/F40 TILT CYLINDE		-
8.1	A418435	1	SEAL KIT, 100/45 CYLINDER, TILT 700 SERI		-
8.2	64911	1	ARTICUL. BEARING GE40ES F62/40-28(22)		-
9	A412810	2	PIVOT PIN F40-167		-
10	64913	2	SLIDE BEARING BRM-80 F39/F35-50		-
11	A412870	1	PIVOT PIN F35 L=104		-
12	71691	2	WASHER M12 A13 DIN 125		-
13	72324	2	HEXAGONAL NUT M 12 NYLOC DIN 985		-
14	64324	1	REDUCER FITTING RI 3/8"-EDX 1/4"		-
15	64087	2	ELBOW FITTING 90 DEGR. /4#		-
16	A413816	1	SERVICE SUPPORT, LIFT CYLINDER		-
17	64188	2	FINGER SCREW R5026M8S		-
18	72139	1	HEXAGONAL SCREW M 8*60 DIN 931		-
19	A410804	1	MOUNTING BRACKET, MULTI CONNECTOR LOADER		-
20	74531	2	SPACER NORDLOCK M10, PAIR		-
21	74505	2	HEXAGONAL SCREW M10*35 DIN 933 ZN		-
22	65252	1	MULTI CONNECTOR, ON LOADER		22
23	73122	4	WASHER M8 A8,4 DIN 125 ZN		-
24	72320	4	HEXAGONAL NUT M8 NYLOC DIN 985		-
25	71884	4	HEXAGONAL HEAD SCREW M 8*25 DIN 912 2		-
26	64058	3	BASIC FITTING F40XS12-1/2		-
27	A414911	3	HYDR. HOSE L=1150 2LW-08		-
28	A414913	1	HYDR. HOSE L=1550 2LW-06		-
29	A414912	1	HYDR. HOSE L=1250 2LW-06		-
30	A430655	1	RELEASE PLATE		-
31	A432890	1	RELEASE PLATE RIGHT		-
32	75102	5	SPACER NORDLOCK M10 NL10SP, PAIR		-
33	72150	5	HEXAGONAL SCREW M10*25 DIN 933 ZN		-

2.2.2024

A436601 ATTACHMENT COUPLING PLATE CAST STEEL 700



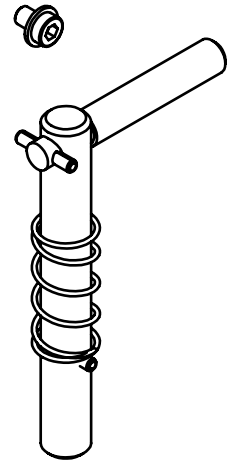
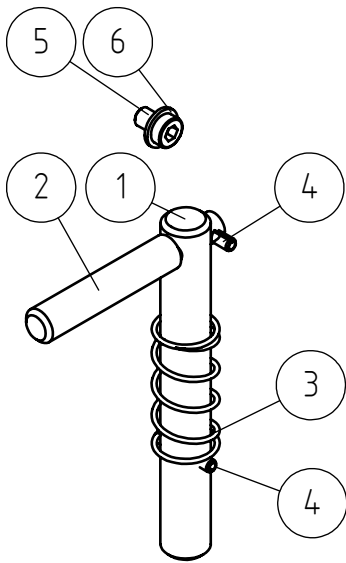
2.2.2024

A436601 ATTACHMENT COUPLING PLATE CAST STEEL 700

REF	PART NO	QTY	DESCRIPTION	NOTES	PAGE
1	A435467	1	ATTACHMENT COUPLING PLATE ADI CAST STEEL		-
2	A412814	2	PIVOT PIN F35-98		-
3	A427469	1	PIVOT PIN 35-175		-
4	74531	3	SPACER NORDLOCK M10, PAIR		-
5	72147	3	HEXAGONAL SCREW M 10*16 DIN 933		-
6	72798	3	GREASE NIPPLE R 1/8" STRAIGHT		-
7	A436582	2	SEALING PUSH-IN CAP 35MM DIN 443		-
8	A427458	1	COVERING PLATE 378X127 ATTACHM COUPL PLA		-
9	A427464	2	COVERING PLATE 87X47 ATTACHM COUPL PLATE		-
10	A441215	8	THREAD-FORMING SCREW M8*20 ISO 14581		-
11	A430007	1	LINKAGE PIECE 700/800 SERIES		-
12	64913	2	SLIDE BEARING BRM-80 F39/F35-50		-
13	A436614	1	LOCKING PIN ASSEMBLY ATTACHM COUPL PLATE		18

2.2.2024

A436614 LOCKING PIN ASSEMBLY ATTACHM COUPL PLATE



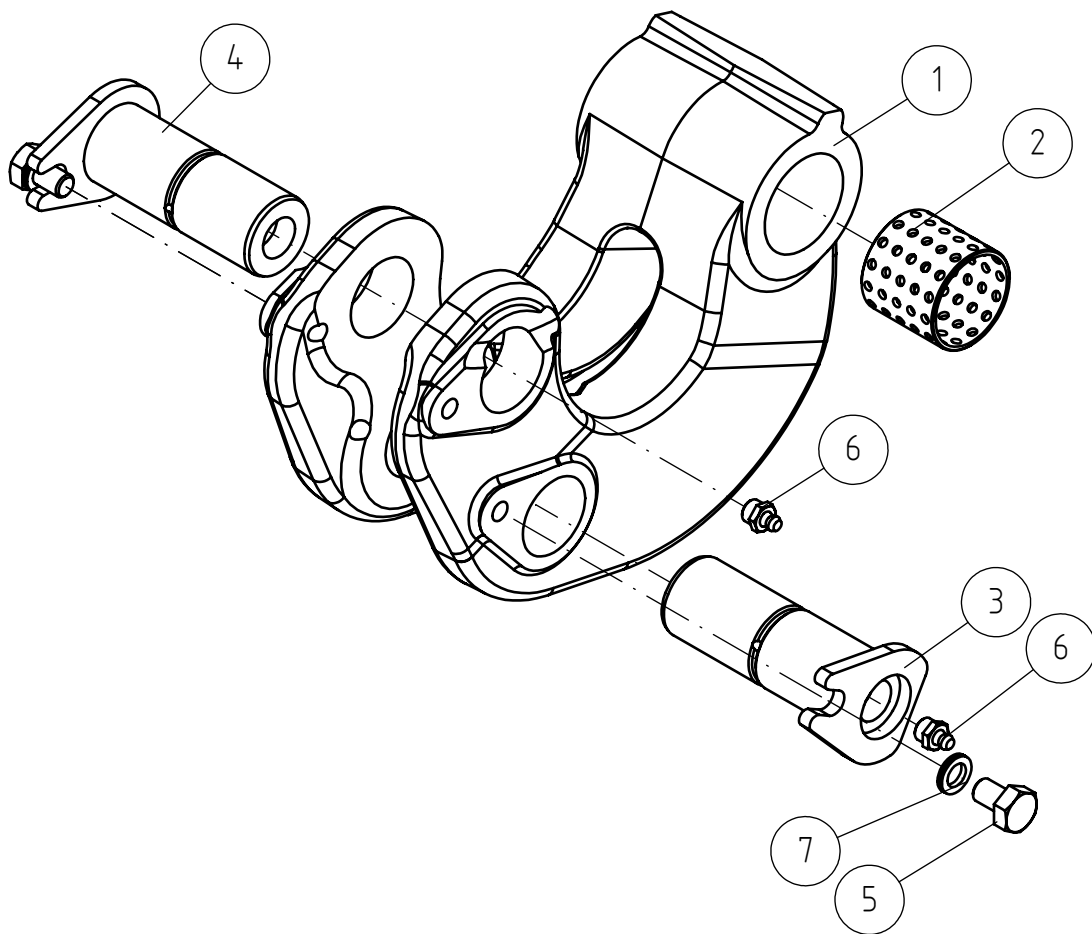
2.2.2024

A436614 LOCKING PIN ASSEMBLY ATTACHM COUPL PLATE

REF	PART NO	QTY	DESCRIPTION	NOTES	PAGE
1	A47687	2	LOCKING PIN F20		-
2	A47688	2	LATCH PIN		-
3	64138	2	COMPRESSION SPRIG DIN 2098 2*25*135		-
4	73661	4	SPRING PIN 5*30 DIN 1481		-
5	74932	2	HEXAGONAL HEAD SCREW M8*12		-
6	73122	2	WASHER M8 A8,4 DIN 125 ZN		-

2.2.2024

A436687 LINKAGE PIECE "BOOMERANG" CAST STEEL



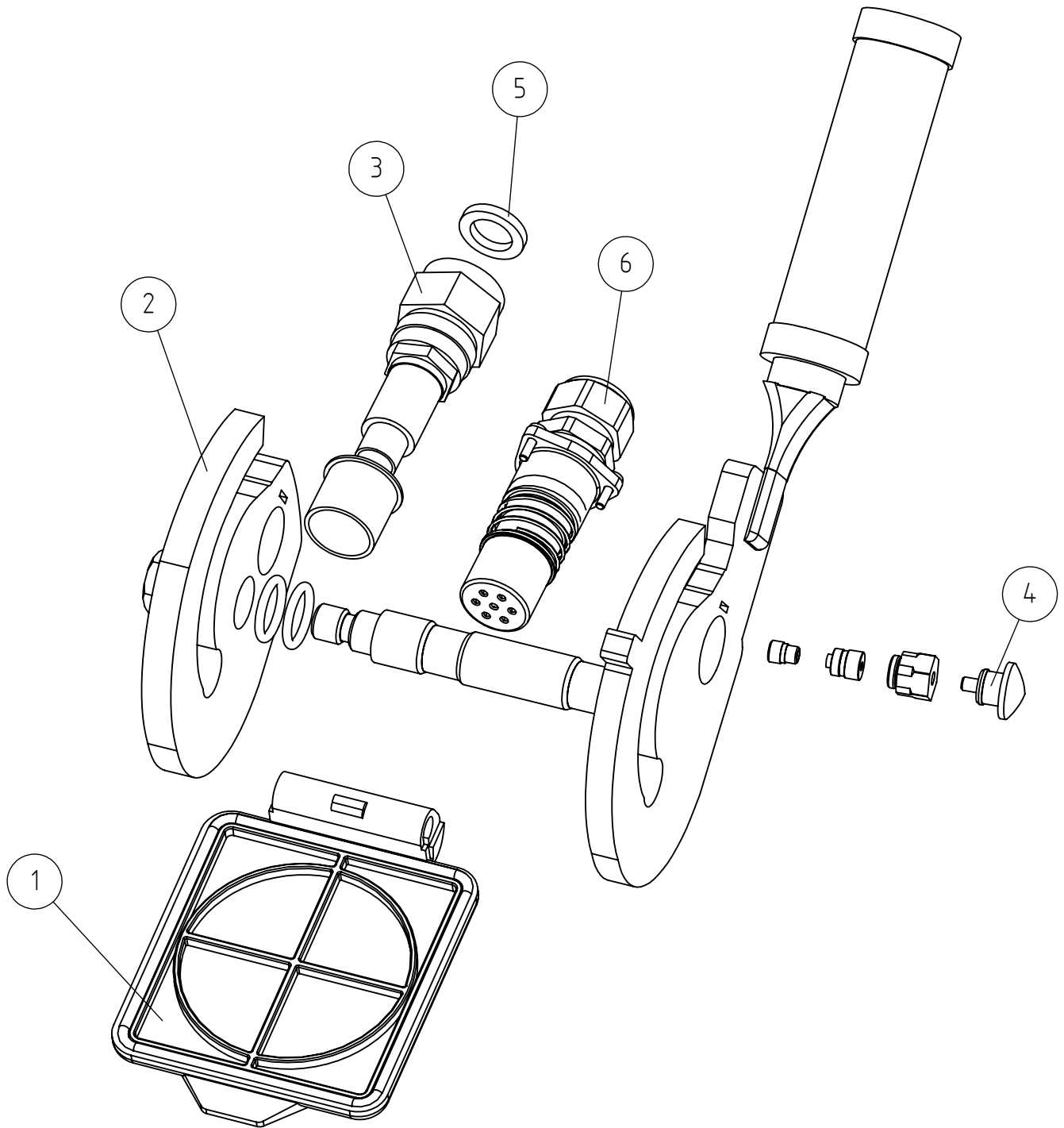
2.2.2024

A436687 LINKAGE PIECE "BOOMERANG" CAST STEEL

REF	PART NO	QTY	DESCRIPTION	NOTES	PAGE
1	A435456	1	LINKAGE PIECE "BOOMERANG" CAST STEEL ADI		-
2	64912	2	SLIDE BEARING BRM-80 TF44/F40-40		-
3	A430579	1	PIVOT PIN 35-103		-
4	A430582	1	PIVOT PIN 35-92		-
5	72147	2	HEXAGONAL SCREW M 10*16 DIN 933		-
6	72798	2	GREASE NIPPLE R 1/8" STRAIGHT		-
7	74531	2	SPACER NORDLOCK M10, PAIR		-

2.2.2024

65252 MULTI CONNECTOR, ON LOADER



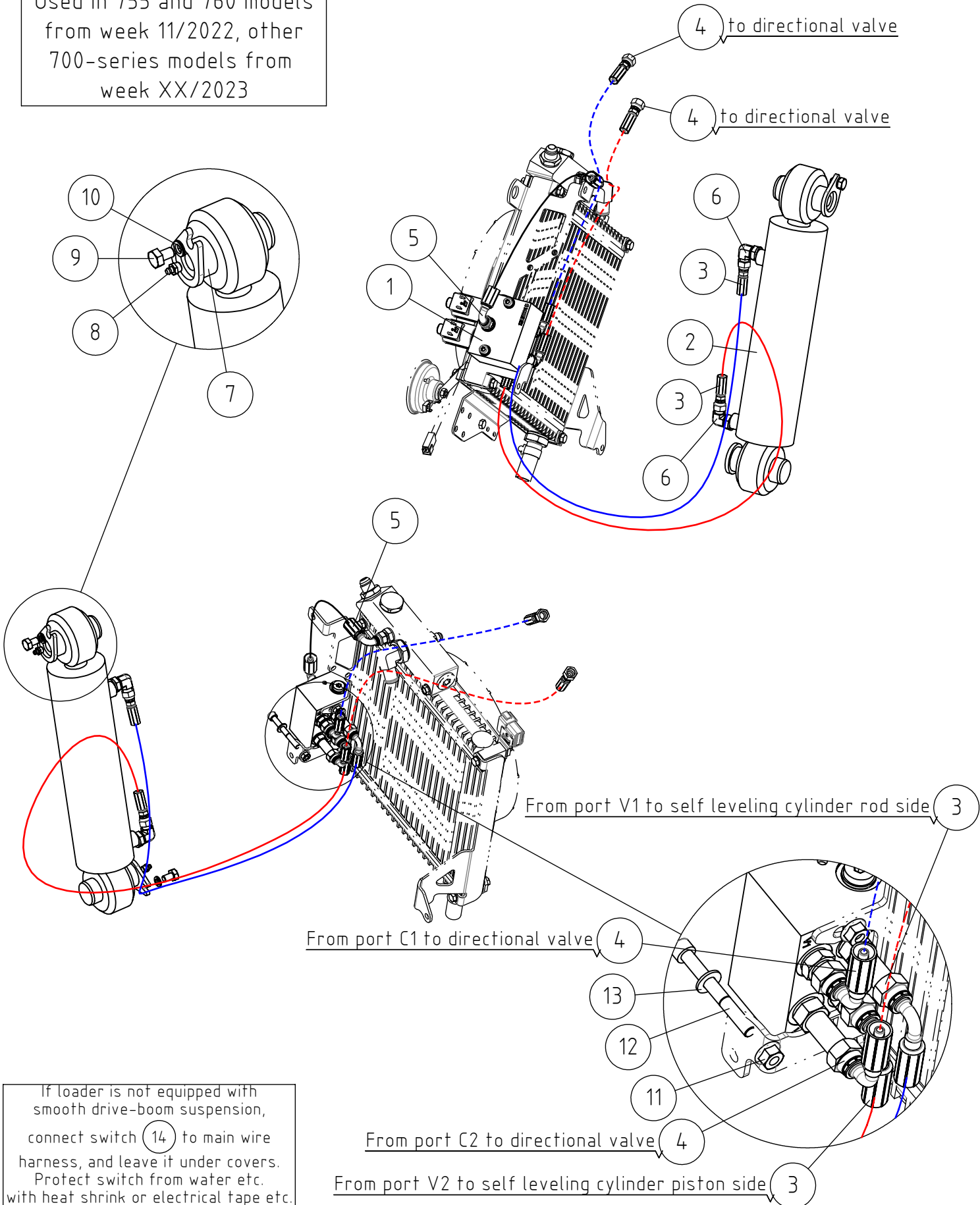
2.2.2024

65252 MULTI CONNECTOR, ON LOADER

REF	PART NO	QTY	DESCRIPTION	NOTES	PAGE
1	65882	1	CAP PLATE, KIT, MULTI CONNECTOR		-
2	65884	1	HANDLE, KIT, MULTI CONNECTOR ON LOADER		-
3	65881	1	QUICK COUPLER, ON MULTI CONNECTOR		-
4	65883	1	SAFETY BUTTON, KIT, MULTI CONNECTOR		-
5	65880	1	SEAL RING, MULTI CONNECTOR SK MF 12		-
6	75035	1	ELECTRIC CONNECTOR FEMININE, FASTER		-

A445631 BOOM SELF LEVELLING 700 SERIES

Used in 755 and 760 models
from week 11/2022, other
700-series models from
week XX/2023



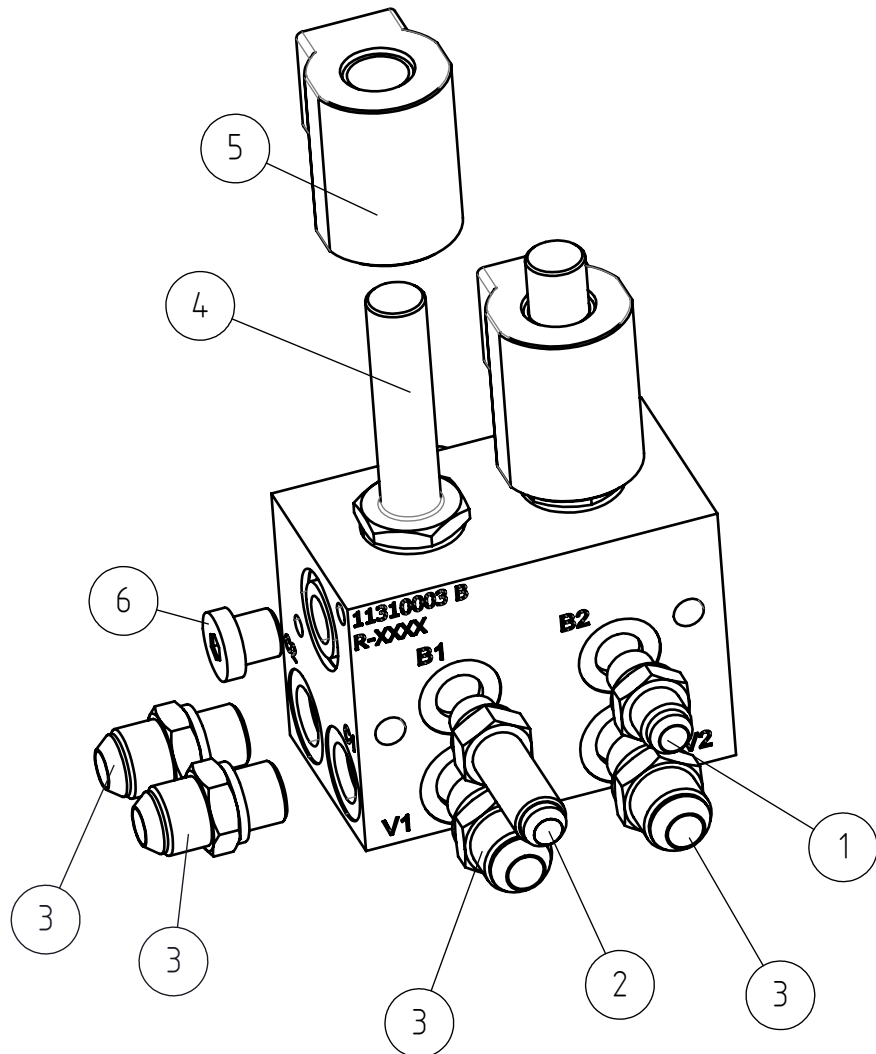
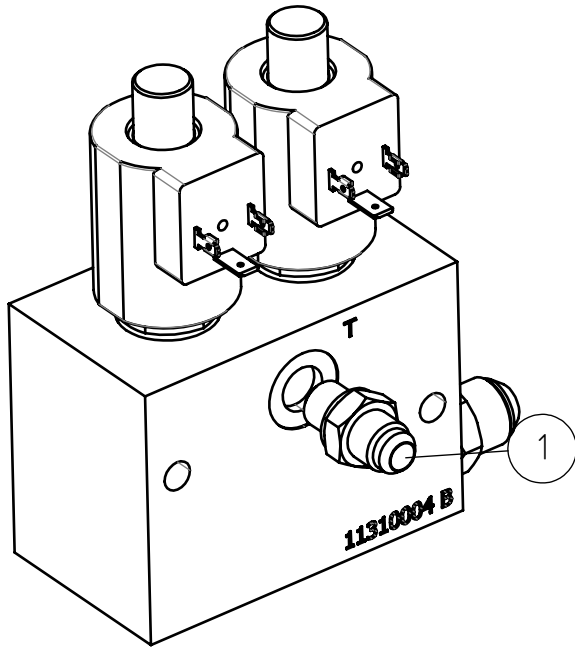
2.2.2024

A445631 BOOM SELF LEVELLING 700 SERIES

REF	PART NO	QTY	DESCRIPTION	NOTES	PAGE
1	A449741	1	DIRECTIONAL VALVE ASSEMBLY BOOM FLOAT &		26
2	A412914	1	HYDR. CYLINDER F80/F36-235 SELF LEVELLI		-
2.1	A418436	1	SEAL KIT, 80/36 CYLINDER, SELF LEV 700		-
3	A436991	2	HYDR. HOSE L=1350		-
4	A450415	2	HYDR. HOSE L=800		-
5	A450400	1	HYDR. HOSE L=500		-
6	64044	2	ELBOW FITTING 90° C40XS10-3/8 /8		-
7	A47041	2	PIVON PIN F40-90		-
8	72798	2	GREASE NIPPLE R 1/8" STRAIGHT		-
9	72147	2	HEXAGONAL SCREW M 10*16 DIN 933		-
10	74531	2	SPACER NORDLOCK M10, PAIR		-
11	74782	2	HEXAGONAL NUT M8 WITH FLANGE		-
12	A442472	2	HEXAGONAL HEAD SCREW M8*70 DIN 912 8.8		-
13	73122	2	WASHER M8 A8,4 DIN 125 ZN		-
14	A437190	1	SWITCH SMOOTH DRIVE		-
15	A440277	1	WIRE HARNESS SMOOTH DRIVE, TO VALVES		-

2.2.2024

A449741 DIRECTIONAL VALVE ASSEMBLY BOOM FLOAT &

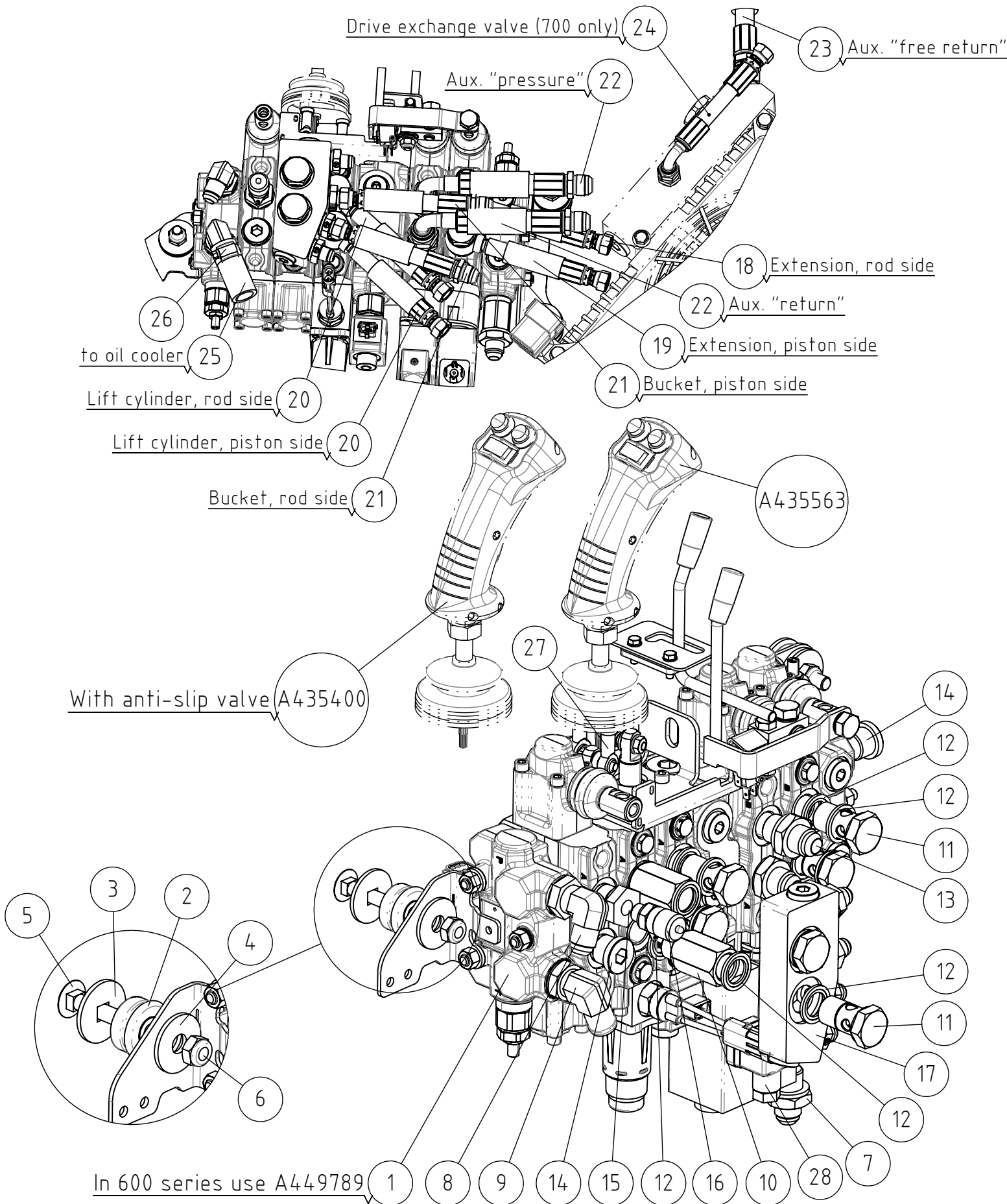


2.2.2024

A449741 DIRECTIONAL VALVE ASSEMBLY BOOM FLOAT &

REF	PART NO	QTY	DESCRIPTION	NOTES	PAGE
1	64059	2	BASIC FITTING F40XS10-1/4		-
2	A453598	1	BASIC FITTING G1/4" OUTSIDE THREAD		-
3	64042	4	BASIC FITTING F40XS12-3/8 /8		-
4	A432527	2	VALVE CARTRIDGE 3/2 CONTROL VALVE		-
5	A432544	2	SOLENOID 12V / 26W		-
6	64700	1	HEXAGONAL PLUG R 1/4"		-

A450588 CONTROL VALVE ASSEMBLY HDS16



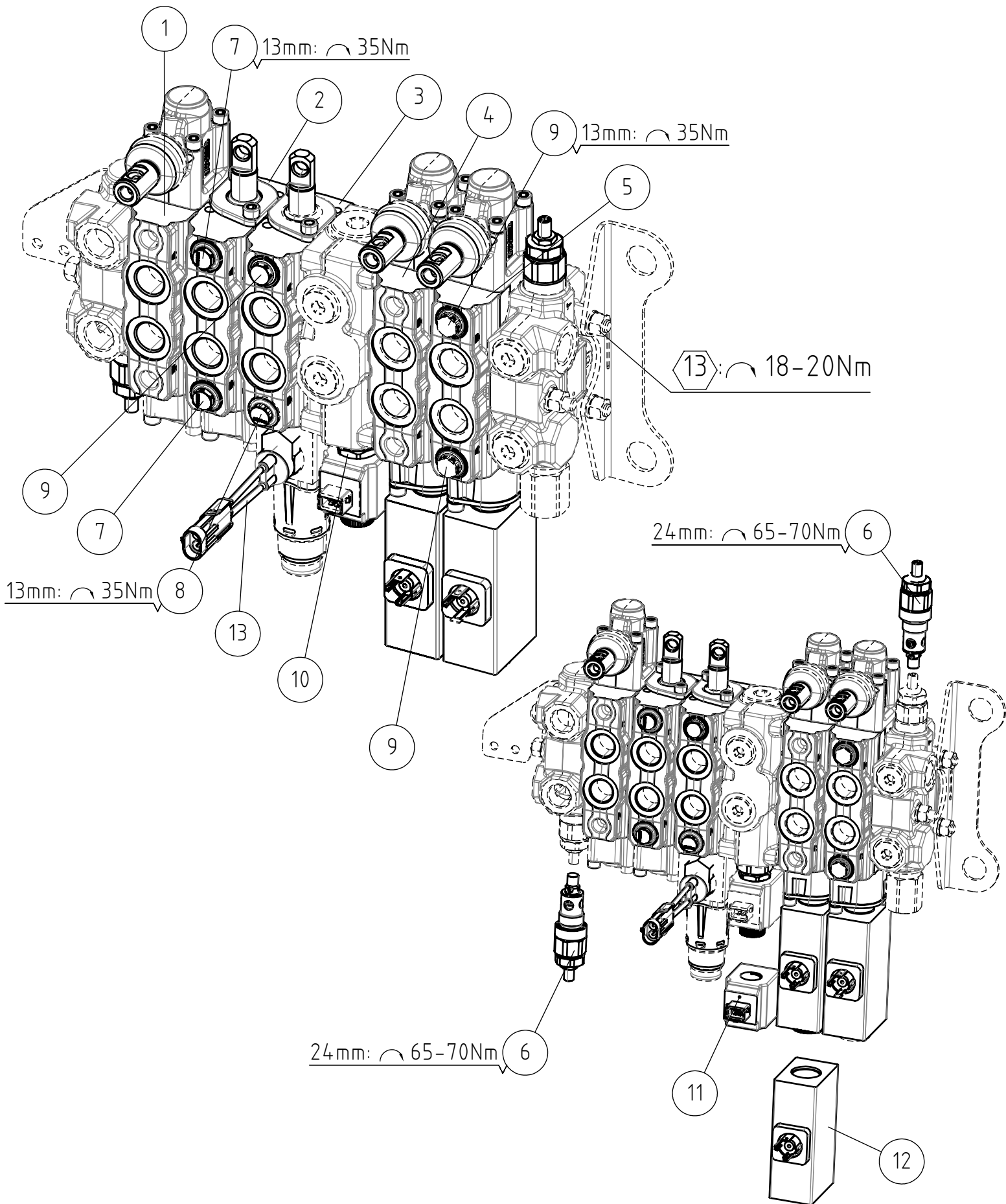
2.2.2024

A450588 CONTROL VALVE ASSEMBLY HDS16

REF	PART NO	QTY	DESCRIPTION	NOTES	PAGE
1	A429030	1	CONTROL VALVE HDS16		30
1.1	A439953	1	VALVE SECTION WITH BOOM FLOATING CONTROL		-
1.2	A447990	1	SEAL KIT CONTROL VALVE BUCHER A429030		-
2	A431033	3	VIBRATION DAMPER SCBR 45SH		-
3	A431029	3	SPACER 3MM		-
4	A431034	3	WASHER Ø38/12,5, S=3 SCBR 38		-
5	A437458	3	CARRIAGE BOLT M10*50 DIN603		-
6	72322	3	HEXAGONAL NUT M 10 NYLOC DIN 985		-
7	64058	1	BASIC FITTING F40XS12-1/2		-
8	64045	1	ELBOW FITTING 90° C40XS12-1/2 /2		-
9	A449632	1	HOSE BARB 90 DEGR. G1/2" - 20MM		-
10	A444789	2	BUSHING G1/2_G1/2		-
11	73959	6	BANJO BOLT R 1/2"		-
12	73047	14	USIT SEAL RING R/12"		-
13	65060	2	BASIC FITTING F40XS16-1/2		-
14	64174	2	HEXAGONAL DRAIN PLUG HF 1/2" WITH SEAL		-
15	64743	1	REDUCER FITTING R1/2" - EDX 1/4"		-
16	64196	1	MANOMETER FITTING M16*2		-
17	A446806	1	HYDRAULIC MANIFOLD ASSEMBLY CONTROL		-
18	A450589	1	HYDR. HOSE L=1430		-
19	A450590	1	HYDR. HOSE L=1330		-
20	A450594	2	HYDR. HOSE L=1650		-
21	A446821	2	HYDR. HOSE L=1410		-
22	A450591	2	HYDR. HOSE L=1180		-
23	A446841	1	HYDR. HOSE L=820		-
24	A434555	1	HYDR. HOSE L=2200		-
25	A450526	1	INLET HOSE L=730 D19		-
26	73530	2	HOSE CLAMP 22-32 MM		-
27	A452569	1	CONTROL LEVERS ASSEMBLY CONTROL VALVE		32
28	A424994	1	WIRE HARNESS SOLENOID VALVE 528-700		-

2.2.2024

A429030 CONTROL VALVE HDS16



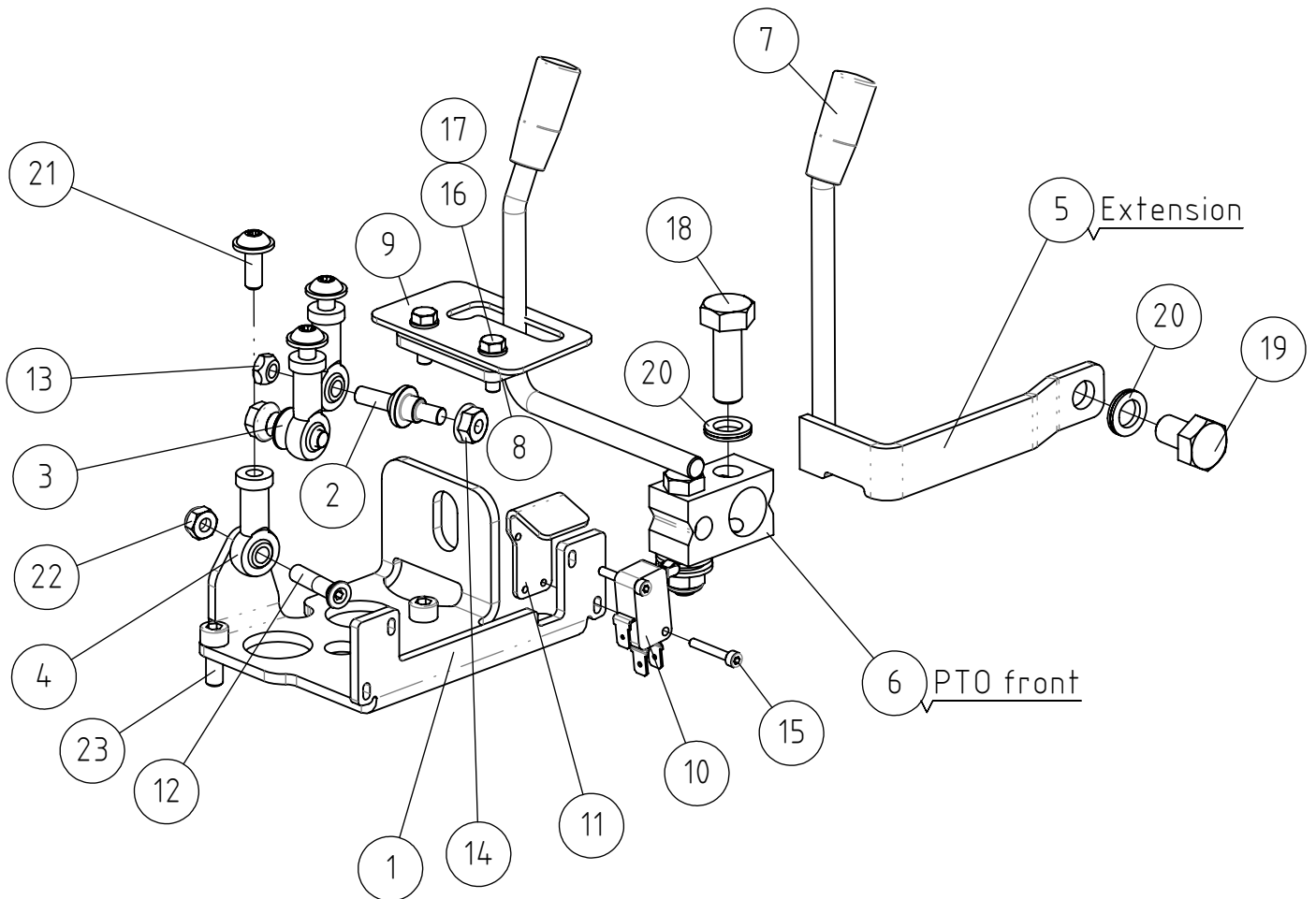
2.2.2024

A429030 CONTROL VALVE HDS16

REF	PART NO	QTY	DESCRIPTION	NOTES	PAGE
1	A449639	1	VALVE SECTION REAR AUX. HYDR., CONTROL		-
2	A449637	1	VALVE SECTION TILT CYLINDER CONTROL		-
3	A439953	1	VALVE SECTION WITH BOOM FLOATING CONTROL		-
4	A449636	1	VALVE SECTION EXTRA FRONT AUX. HYDR.,		-
5	A443909	1	VALVE SECTION TELESCOPE, CONTROL VALVE		-
6	A449641	2	PRESSURE RELIEF VALVE CARTRIDGE 150-250		-
7	A449642	2	SHOCK- SUCTION VALVE CARTRIDGE 280 BAR		-
8	A449644	1	SHOCK- SUCTION VALVE CARTRIDGE 320 BAR		-
9	A449645	3	SUCTION VALVE CARTRIDGE HDS16		-
10	A449647	1	VALVE CARTRIDGE 2/2 PUMP SELECTION HDS16		-
11	A441534	1	SOLENOID 12V/21W + DIODE		-
12	A434106	1	SOLENOID 12VDC/60W PUSH-PULL		-
13	A449646	1	MICROSWITCH SAE 6 TO CONTROL VALVE HDS16		-
14	A447990	1	SEAL KIT CONTROL VALVE BUCHER A429030		-
-	A439953	1	VALVE SECTION WITH BOOM FLOATING CONTROL		-
-	A447990	1	SEAL KIT CONTROL VALVE BUCHER A429030		-

2.2.2024

A452569 CONTROL LEVERS ASSEMBLY CONTROL VALVE



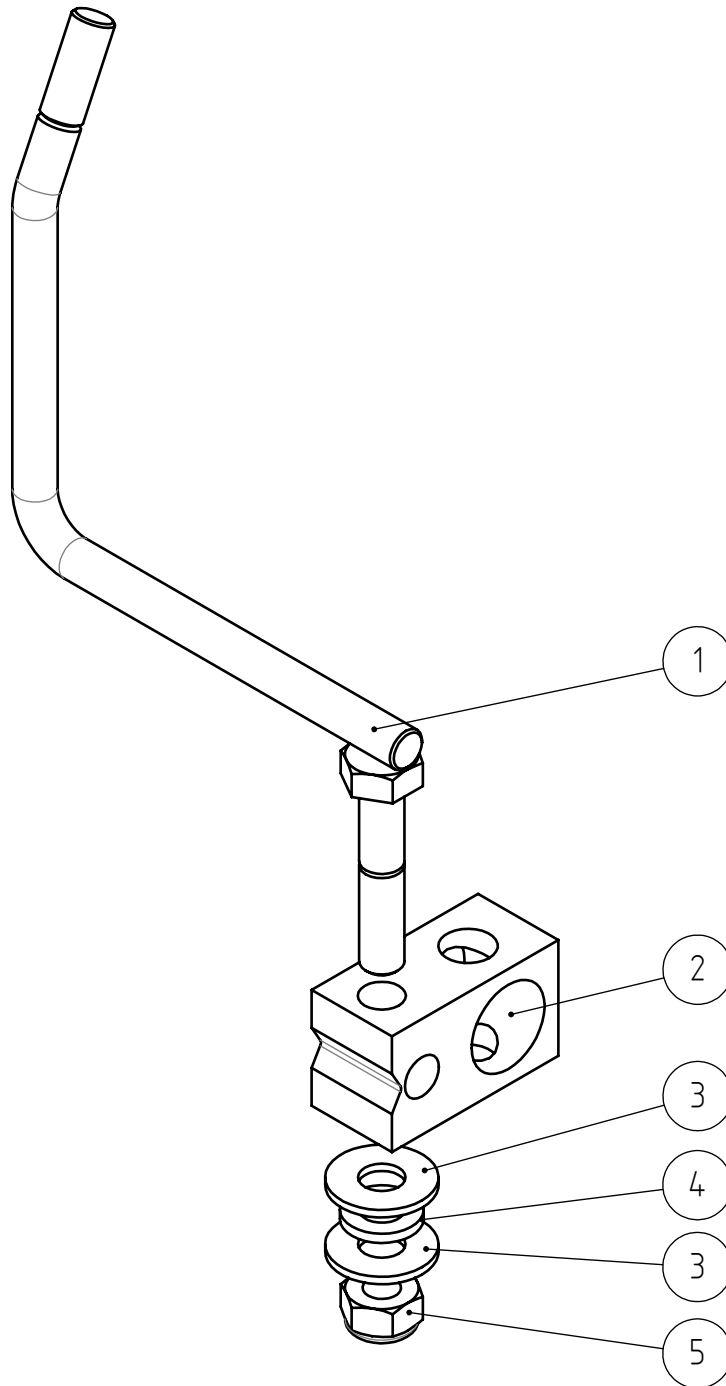
2.2.2024

A452569 CONTROL LEVERS ASSEMBLY CONTROL VALVE

REF	PART NO	QTY	DESCRIPTION	NOTES	PAGE
1	A452529	1	BOTTOM PLATE CONTROL LEVERS 600-800 SER		-
2	A431066	1	PIN LONG CONTROL LEVERS M6 THREAD		-
3	A450523	1	BOLT CONTROL LEVER		-
4	65501	3	ROD END JAF 6		-
5	A442075	1	CONTROL LEVER TELEBOOM 800 SERIES		-
6	A436748	1	CONTROL LEVER AUX. HYDR. FRONT ASSEMBLY		34
7	74761	2	KNOB, CONTROL LEVER		-
8	A48360	1	LOCKING PIECE		-
9	A410901	1	LOCKING PLATE, CONTROL LEVER		-
10	64504	1	MICROSWITCH		-
11	A449831	1	TIGHTENING PLATE MICROSWITCH		-
12	A450520	1	HEXAGONAL HEAD SCREW M6*25 10.9		-
13	A41822	1	LEVERAGE NUT M 6		-
14	74781	2	HEXAGONAL NUT M6 WITH FLANGE		-
15	A435740	2	HEXAGONAL HEAD SCREW M3*20 DIN 912		-
16	72110	2	HEX. SCREW M5*16 DIN 933		-
17	74448	2	WASHER M5 A5,3 DIN 125 ZN		-
18	72151	1	HEXAGONAL SCREW M10*30 DIN 933 ZN		-
19	72147	1	HEXAGONAL SCREW M 10*16 DIN 933		-
20	74531	2	SPACER NORDLOCK M10, PAIR		-
21	A442149	3	THREAD-FORMING SCREW M6*16 BN219-8.8		-
22	72318	1	HEXAGONAL NUT M 6 DIN 985 NYLOC		-
23	73766	2	HEXAGONAL HEAD SCREW M6*16 DIN 912 2 8.8		-

2.2.2024

A436748 CONTROL LEVER AUX. HYDR. FRONT ASSEMBLY

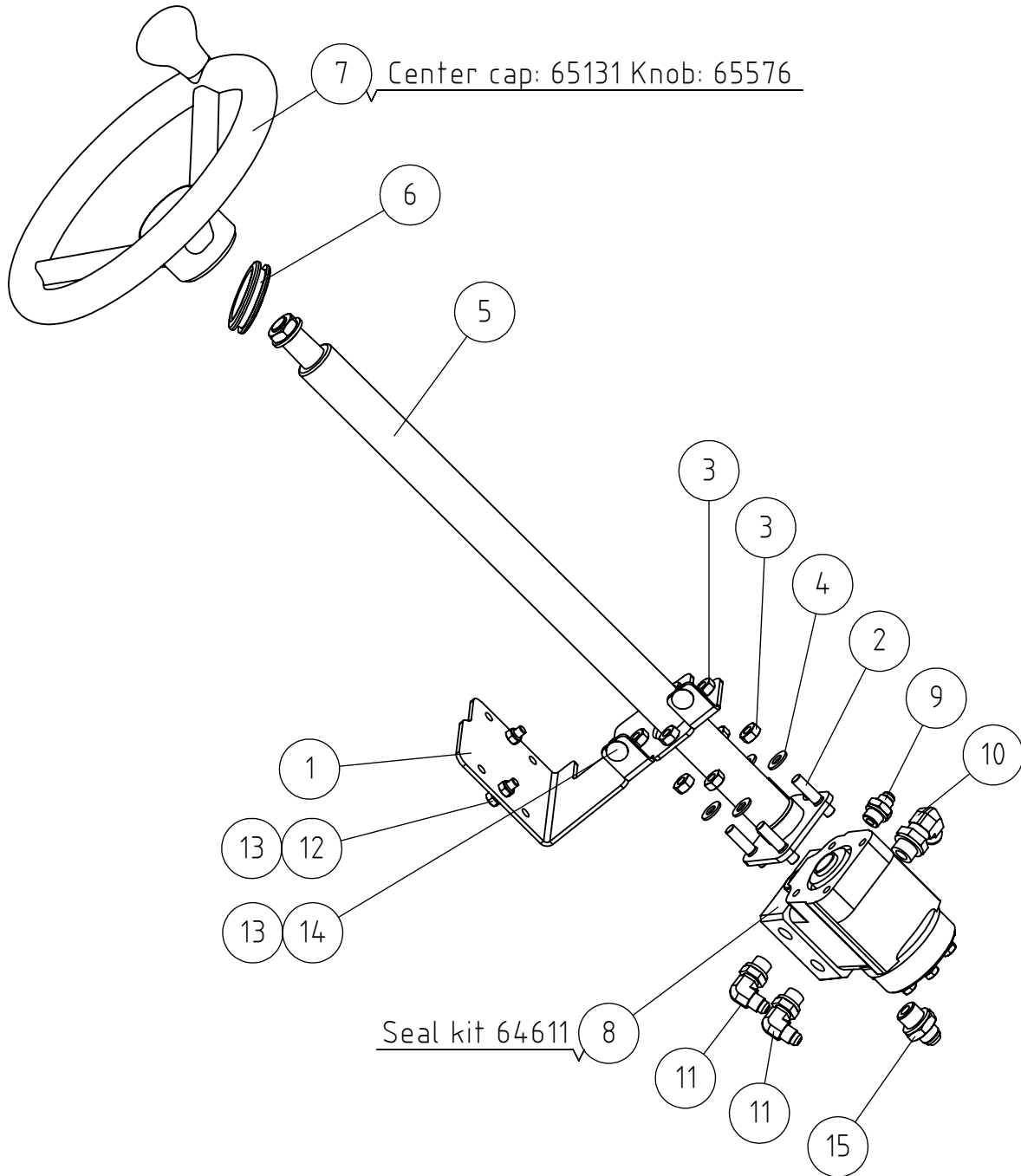


2.2.2024

A436748 CONTROL LEVER AUX. HYDR. FRONT ASSEMBLY

REF	PART NO	QTY	DESCRIPTION	NOTES	PAGE
1	A431076	1	CONTROL LEVER AUXILIARY HYDRAULICS FRONT		-
2	A431074	1	MOUNTING PIECE, CROSS, CONTROL LEVER		-
3	74525	2	WASHER M8 8,4*20*1,25 ZN		-
4	73962	1	WASHER M 8 DIN 127		-
5	72320	1	HEXAGONAL NUT M8 NYLOC DIN 985		-

A452574 STEERING COLUMN ASSEMBLY

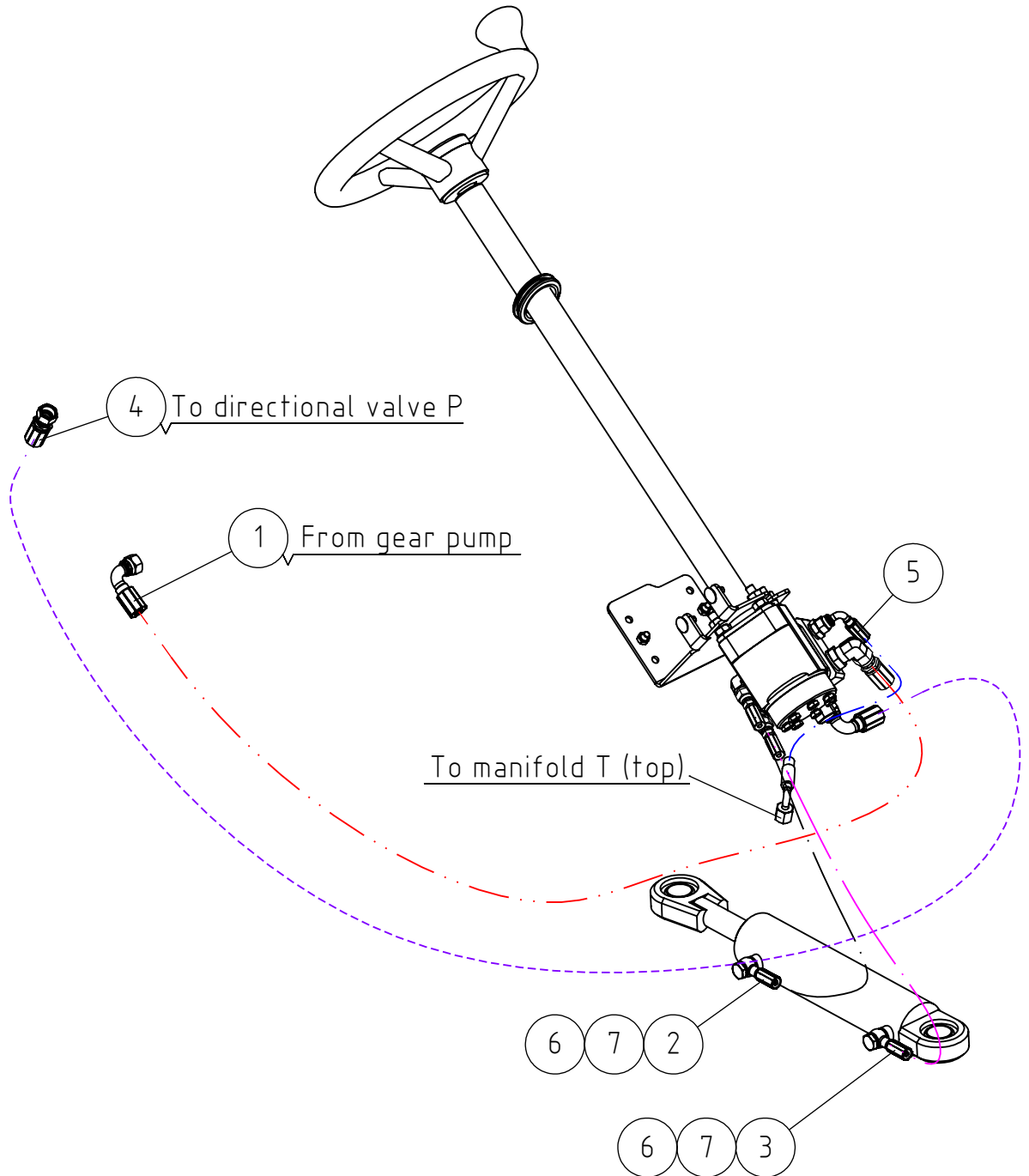


2.2.2024

A452574 STEERING COLUMN ASSEMBLY

REF	PART NO	QTY	DESCRIPTION	NOTES	PAGE
1	A446052	1	BRACKET ORBITROL 500-700 SERIES		-
2	74587	4	STUD M10* 35 DIN 939		-
3	72321	8	HEXAGONAL NUT M10 DIN 934		-
4	73121	4	WASHER M10 A10,5 DIN 125 ZN		-
5	66233	1	STEERING WHEEL ROD M+S KK650 -I		-
6	A428827	1	RUBBER BUSHING STEERING COLUMN		-
7	65076	1	STEERING WHEEL "AVANT" F320		-
7.1	65131	1	CENTER CAP, STEERING WHEEL		-
7.2	65576	1	KNOB, STEERING WHEEL, COBO 0034.1130		-
8	64178	1	CONTROL BLOCK M+S HKUS 80/5-140+PRDD80/7		-
8.1	A430819	1	HEXAGONAL HEAD SCREW M10*1*45 ORBITROL		-
8.2	64611	1	SEAL KIT 41 5137 0130 M+S HKUS ORBITROL		-
8.3	64612	1	SEAL KIT, PRIORITY VALVE / ORBITROL M+S		-
9	64041	1	BASIC FITTING F40XS10-3/8 /8		-
10	64045	1	ELBOW FITTING 90° C40XS12-1/2 /2		-
11	64044	2	ELBOW FITTING 90° C40XS10-3/8 /8		-
12	72132	2	HEXAGONAL SCREW M 8*25 DIN 933 ZN		-
13	72320	4	HEXAGONAL NUT M8 NYLOC DIN 985		-
14	74836	2	CARRIAGE BOLT M8*20		-
15	64058	1	BASIC FITTING F40XS12-1/2		-

A452815 HYDRAULIC HOSES ORBITROL 600-700 SERIES



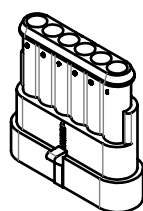
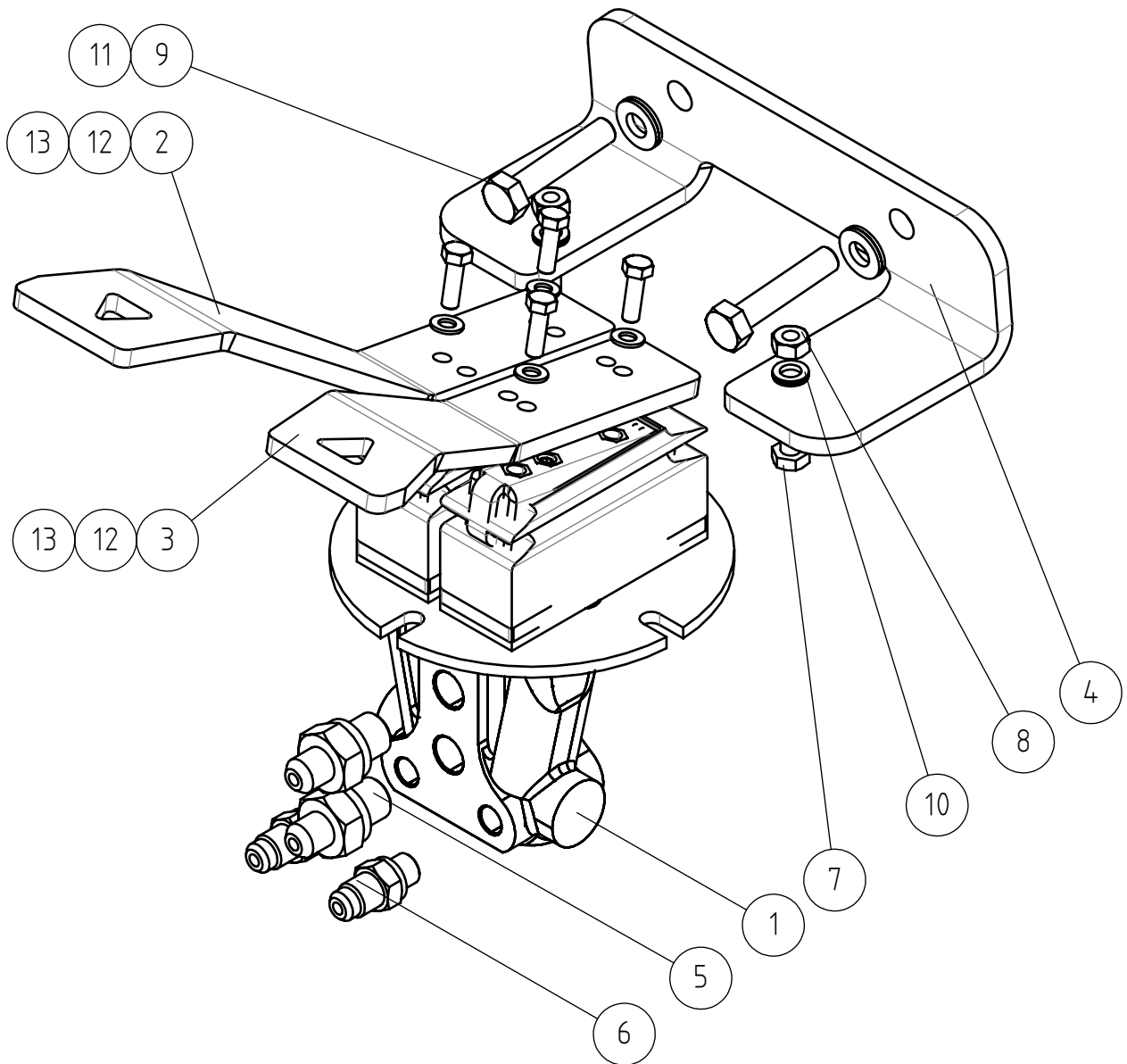
2.2.2024

A452815 HYDRAULIC HOSES ORBITROL 600-700 SERIES

REF	PART NO	QTY	DESCRIPTION	NOTES	PAGE
1	A48210	1	HYDR. HOSE L=1110		-
2	A462712	1	HYDR. HOSE L=1100		-
3	A462714	1	HYDR. HOSE L=850		-
4	A434550	2	HYDR. HOSE L=1900		-
5	A410017	1	HYDR. HOSE L=400		-
6	64557	2	BANJO BOLT R 1/4"		-
7	73757	4	USIT COMPRESSION R1/4"		-

2.2.2024

A440870 DRIVE PEDAL ASSEMBLY 700 SERIES

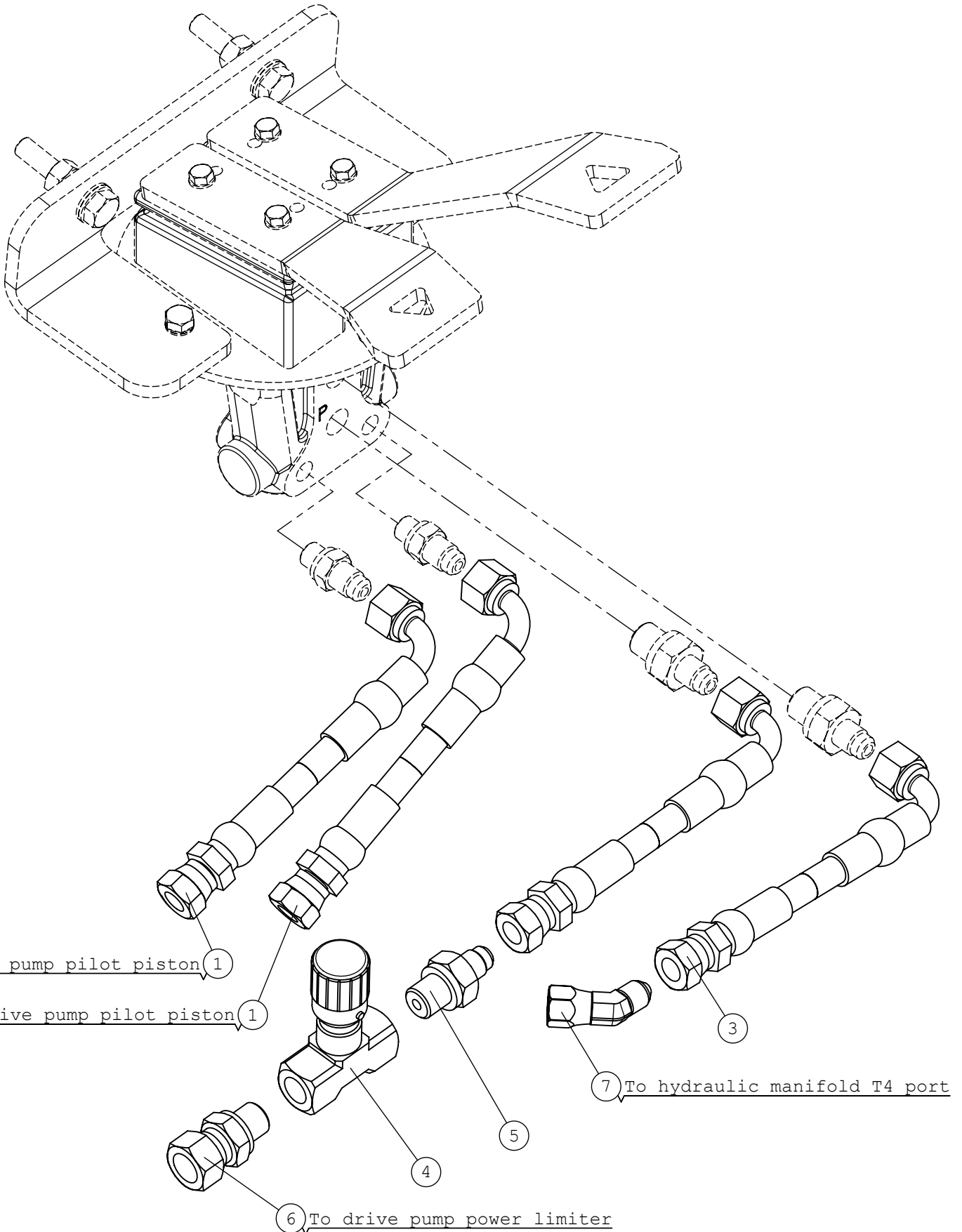


2.2.2024

A440870 DRIVE PEDAL ASSEMBLY 700 SERIES

REF	PART NO	QTY	DESCRIPTION	NOTES	PAGE
1	A432973	1	HYDRAULIC PEDALS 2-16BAR MICROSWITCH 5A		-
1.1	A451022	2	PROTECTIVE RUBBER DRIVE PEDALS		-
1.2	A445449	2	MICROSWITCH 5A WITH WIRE		-
2	A47550	1	DRIVE PEDAL, LEFT		-
3	A47551	1	DRIVE PEDAL, RIGHT		-
4	A47247	1	BRACKET, DRIVE PEDAL		-
5	64678	2	BASIC FITTING F40XS6-1/4"		-
6	64793	2	BASIC FITTING F40XS6-1/8"		-
7	72118	2	HEXAGONAL SCREW M6*20 DIN 933		-
8	72317	2	HEXAGONAL NUT M6 DIN 934		-
9	73222	2	HEXAGONAL SCREW M8*40 DIN 933		-
10	74530	2	WASHER NORDLOCK NL6		-
11	63944	2	WASHER, PAIR, NORD-LOCK M8		-
12	72110	4	HEX. SCREW M5*16 DIN 933		-
13	74448	4	WASHER M5 A5,3 DIN 125 ZN		-

A422190 HYDR. HOSES DRIVE PEDAL 700 SERIES



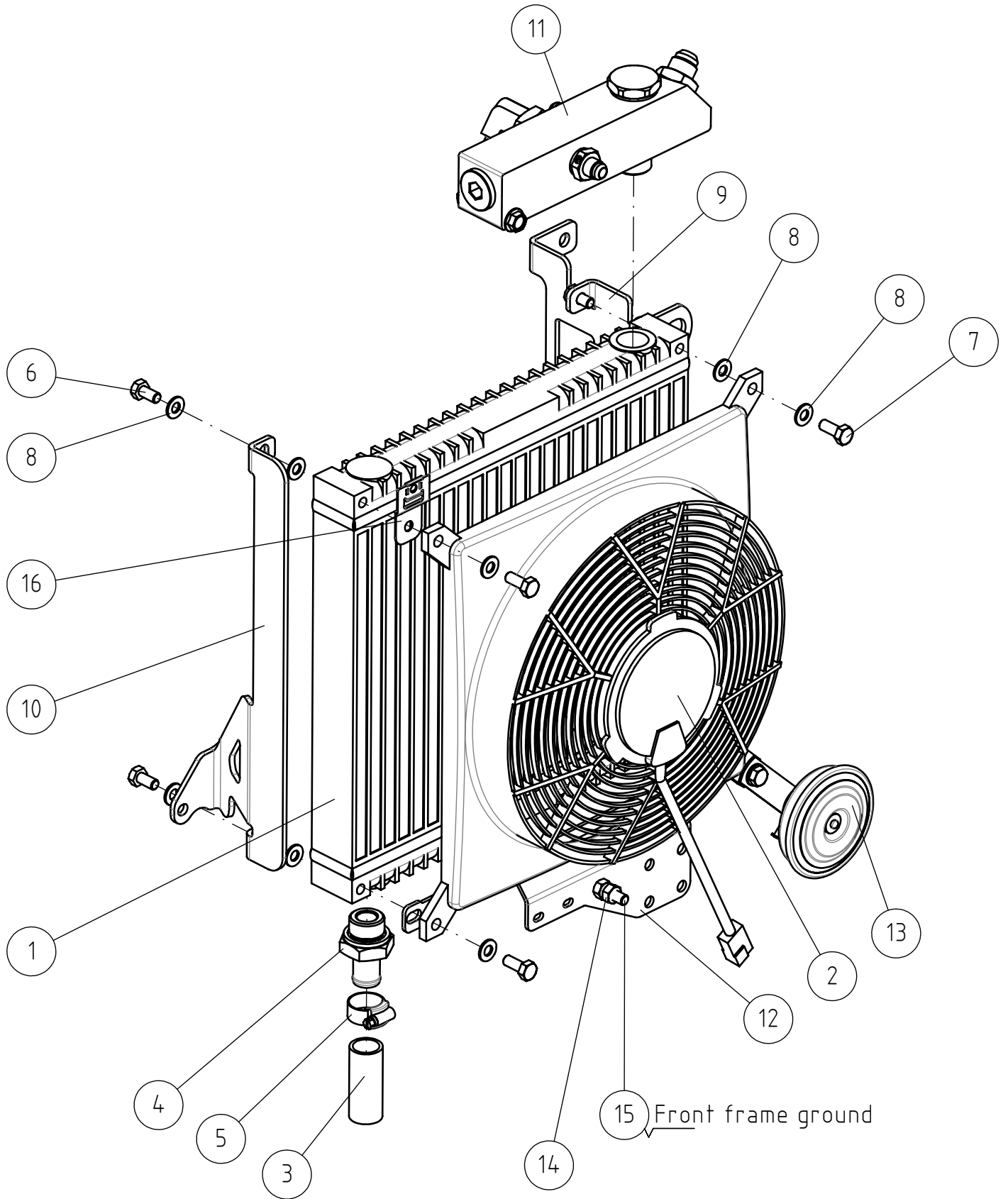
2.2.2024

A422190 HYDR. HOSES DRIVE PEDAL 700 SERIES

REF	PART NO	QTY	DESCRIPTION	NOTES	PAGE
1	A422164	2	HYDR. HOSE L=1240		-
2	A410274	1	HYDR. HOSE L=1120		-
3	A47643	1	HYDR. HOSE L=430 TYPE 087-3/16" JIC6-		-
4	63879	1	CHECK VALVE 9N400S R1/4"-R1/4"		-
5	64678	1	BASIC FITTING F40XS6-1/4"		-
6	64060	1	CONNECTOR NIPPLE F64XS10-1/4		-
7	65587	1	ELBOW FITTING 45° UNF 7/16" JIC		-

2.2.2024

A446008 HYDRAULIC OIL COOLER ASSEMBLY 500-700



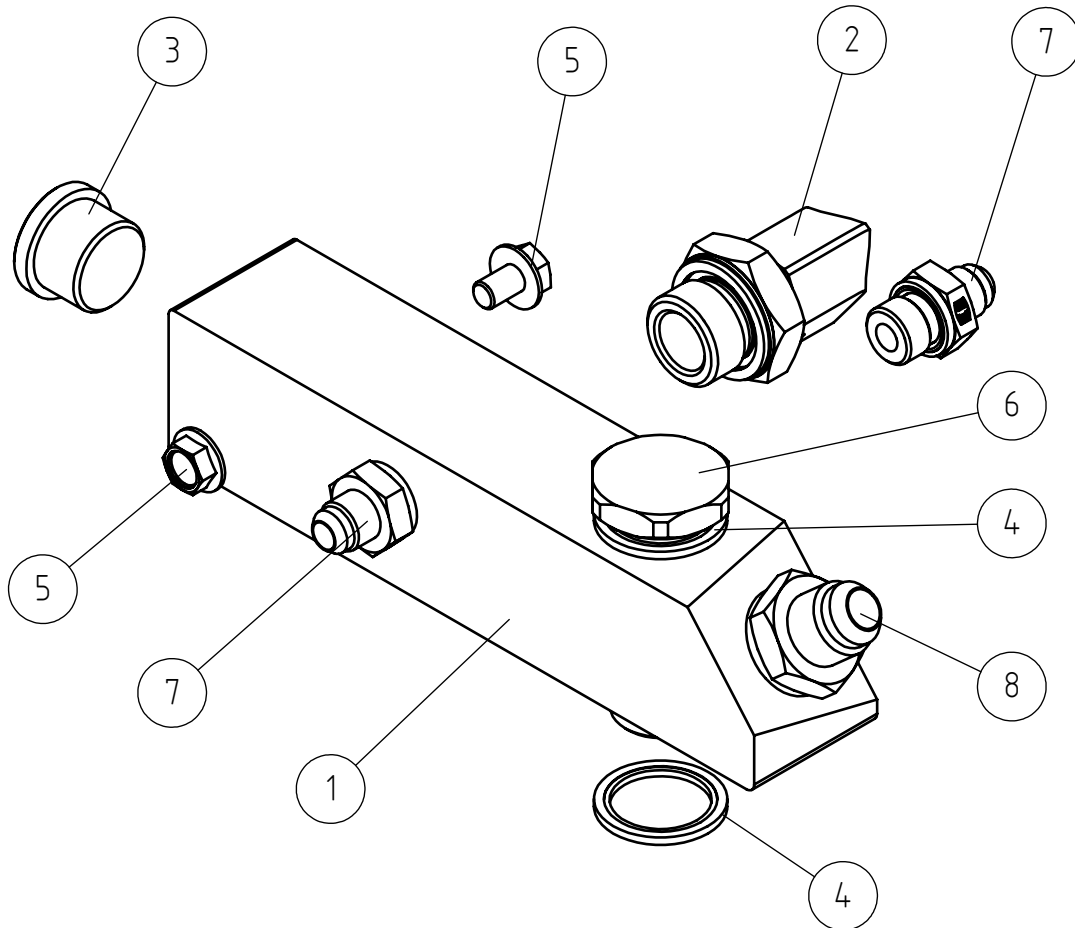
2.2.2024

A446008 HYDRAULIC OIL COOLER ASSEMBLY 500-700

REF	PART NO	QTY	DESCRIPTION	NOTES	PAGE
1	64934	1	OIL COOLER CELL ASA 350*350*45		-
2	65568	1	FAN, HYDRAULIC OIL COOLER COMEX F48-		-
3	A49182	1	INLET HOSE D=20 L=550		-
4	66427	1	HOSE BARB R3/4"UK - 20MM		-
5	73530	1	HOSE CLAMP 22-32 MM		-
6	73039	4	HEXAGONAL SCREW M 8*16 DIN 933 ZN		-
7	72130	4	HEXAGONAL SCREW M8*20		-
8	73122	13	WASHER M8 A8,4 DIN 125 ZN		-
9	A446011	1	BRACKET, UPPER, HYDR. OIL COOLER		-
10	A446012	1	BRACKET, LOWER, HYDR. OIL COOLER		-
11	A449648	1	HYDRAULIC MANIFOLD ASSEMBLY		46
12	A449902	1	MOUNTING BRACKET ACCUMULATOR		-
13	64157	1	SIGNAL HORN COMPLETE		-
14	72319	2	HEXAGONAL NUT M8 DIN 934		-
15	72133	1	HEXAGONAL SCREW M8*30 DIN 933		-
16	A451560	1	BRACKET CONNECTOR PLUG		-

2.2.2024

A449648 HYDRAULIC MANIFOLD ASSEMBLY



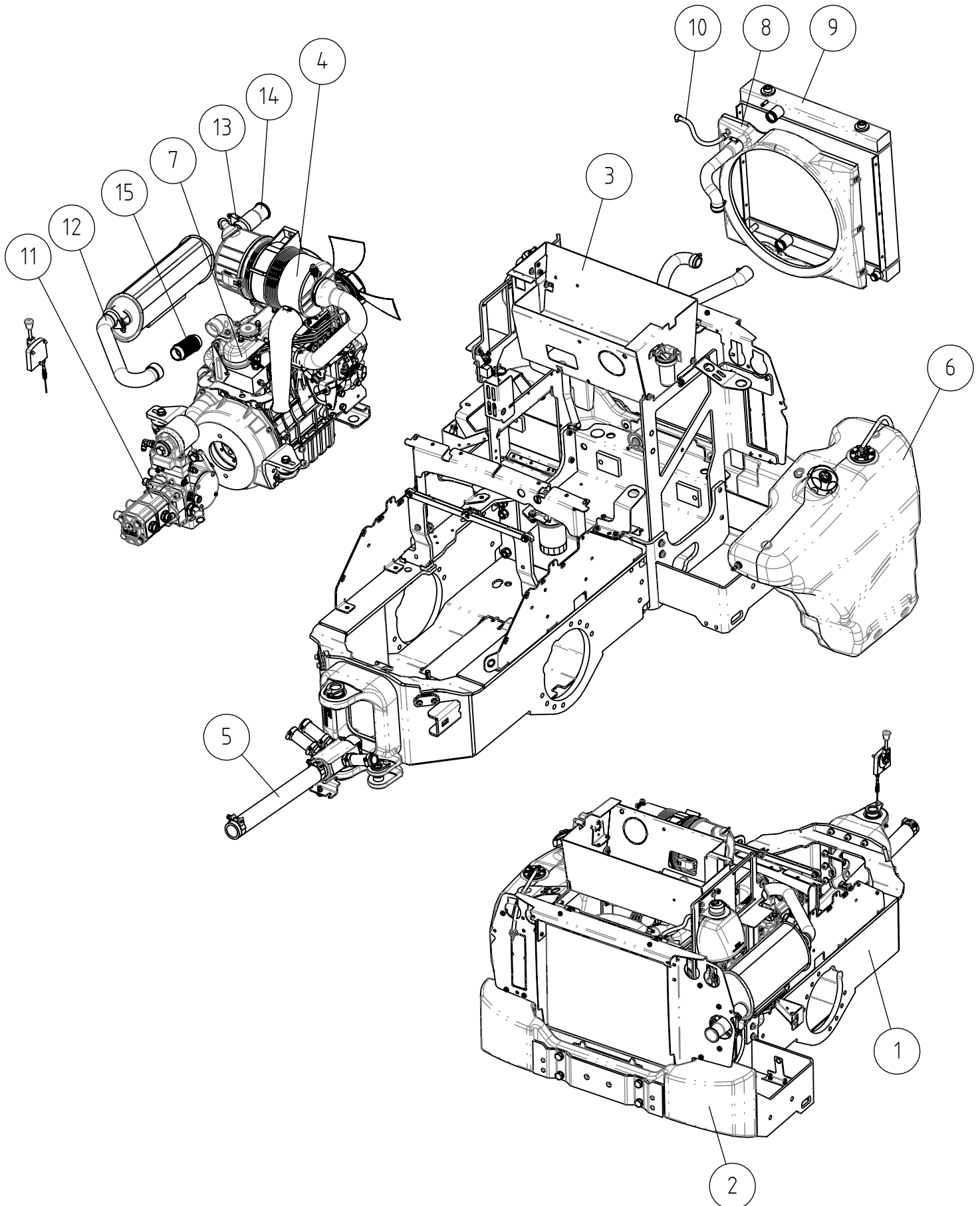
2.2.2024

A449648 HYDRAULIC MANIFOLD ASSEMBLY

REF	PART NO	QTY	DESCRIPTION	NOTES	PAGE
1	A449626	1	HYDRAULIC MANIFOLD TANK LINE		-
2	66281	1	HOSE BARB 90 DEGR R3/4"UK - 20MM		-
3	73768	1	HEXAGONAL PLUG HF-3/4" WITH SEAL		-
4	74976	2	SEAL USIT R3/4" F35,3*F27,0*2,0		-
5	A429197	2	HEXAGONAL SERRATED SCREW M8*12 W. FLANGE		-
6	A449633	1	BANJO BOLT R3/4" TANK LINE		-
7	64041	2	BASIC FITTING F40XS10-3/8 /8		-
8	65060	1	BASIC FITTING F40XS16-1/2		-

2.2.2024

A461691 REAR FRAME ASSEMBLY 735 SER3 KUBOTA



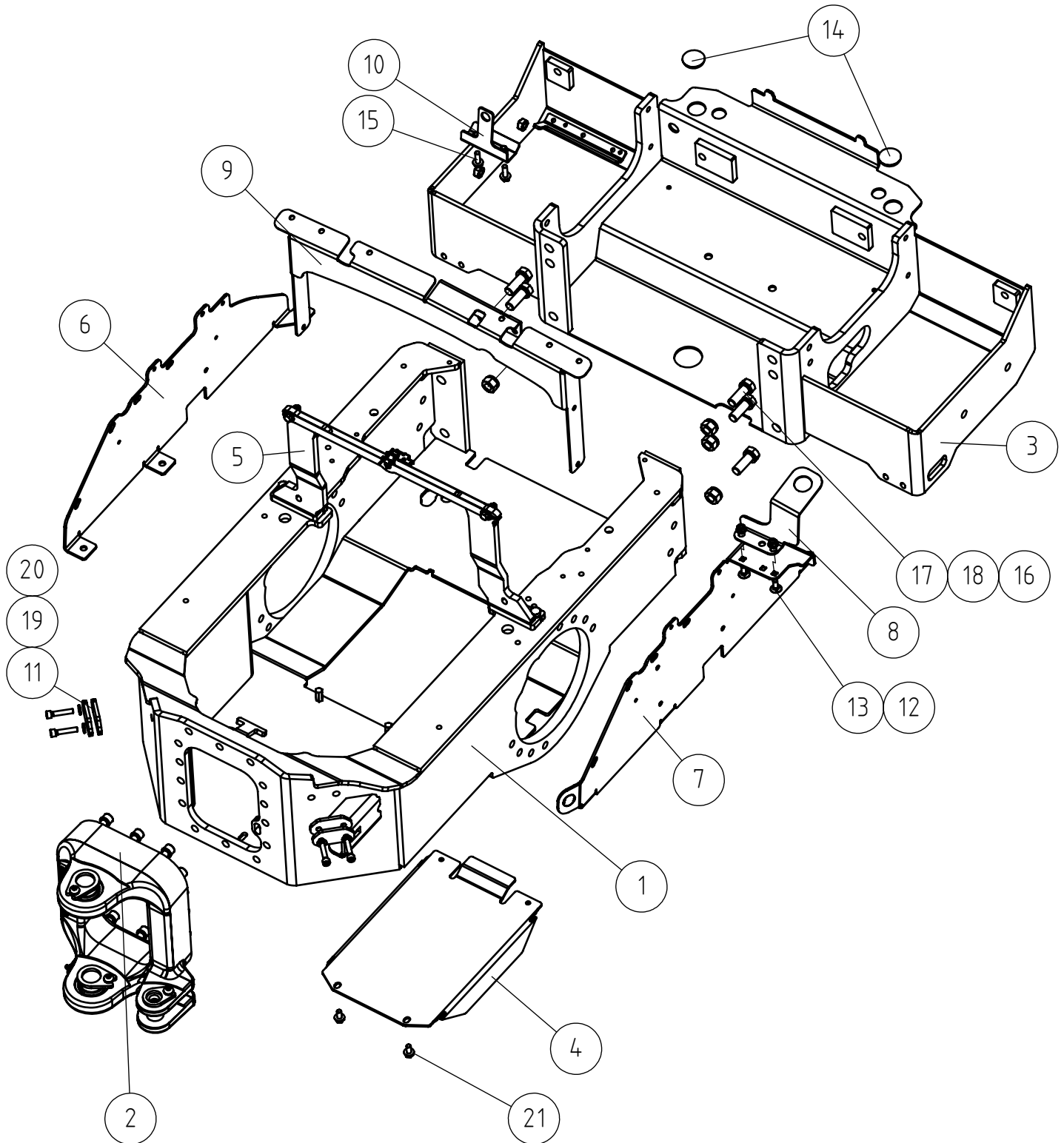
2.2.2024

A461691 REAR FRAME ASSEMBLY 735 SER3 KUBOTA

REF	PART NO	QTY	DESCRIPTION	NOTES	PAGE
1	A441337	1	REAR CHASSIS ASSEMBLY 700 SERIES		50
2	A36913	1	REAR WEIGHT (BUMPER) 168 KG, ASSEMBLY		56
3	A456555	1	ENGINE BAY 735, 745, 750, 850		58
4	A461705	1	AIR FILTER ASSEMBLY AVANT 735 SER2		62
5	A455668	1	HYDRAULIC MANIFOLD WITH HOSES ASSEMBLY		64
6	A436129	1	FUEL TANK ASSEMBLY 66L		66
7	A460851	1	ENGINE V1505 AVANT 735 SER2 ASSEMBLY		68
8	A461143	1	WIND TUNNEL NO. 2 ASSEMBLY		74
9	A460889	1	RADIATOR ASSEMBLY		76
10	A461935	1	RADIATOR HOSES ASSEMBLY AVANT 735		78
11	A458167	1	HYDRAULIC PUMPS ASSEMBLY 635I 640I		80
12	A441520	1	EXHAUST MUFFLER & PIPE AVANT 735		84
13	74853	1	CLAMP, EXHAUST MUFFLER		-
14	65598	1	EXHAUST TRIM, MUFFLER, CHROME FINISH		-
15	A452828	1			-

2.2.2024

A441337 REAR CHASSIS ASSEMBLY 700 SERIES



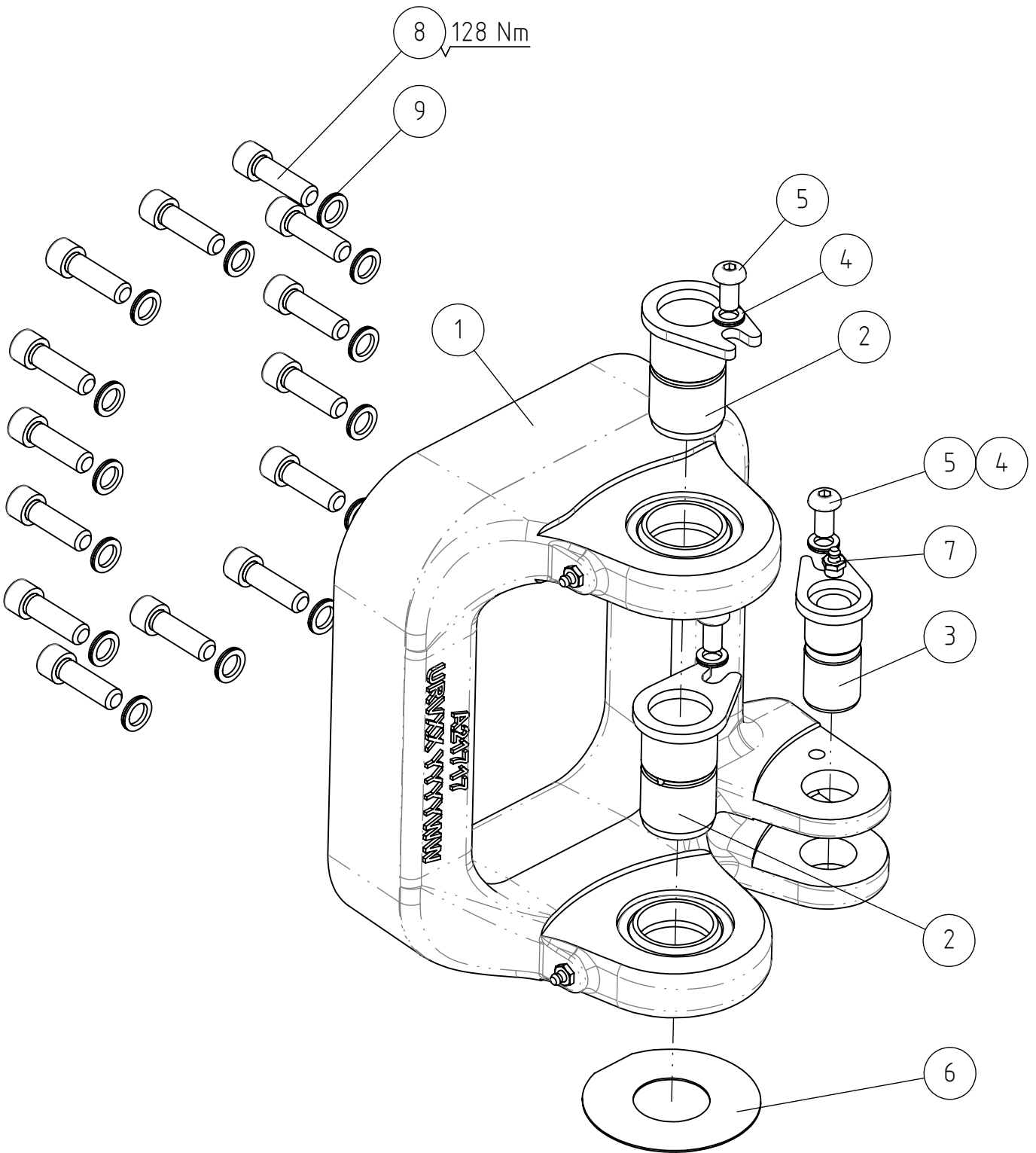
2.2.2024

A441337 REAR CHASSIS ASSEMBLY 700 SERIES

REF	PART NO	QTY	DESCRIPTION	NOTES	PAGE
1	A430885	1	BACK FRAME, FRONT PART 700 SERIES		-
2	A37449	1	ARTICULATION JOINT ASSEMBL REAR FRAME		52
3	A446037	1	REAR FRAME, MIDDLE PART 700/800 SERIES		-
4	A446658	1	SERVICE HATCH 400-700 SERIES		-
5	A415984	1	LOAD SENSOR SYSTEM, COMPLETE ASSEMBLY		54
6	A437435	1	SIDE PLATE RIGHT REAR FRAME 800 STAGE 5		-
7	A437437	1	SIDE PLATE LEFT REAR FRAME 800 STAGE 5		-
8	A437442	1	BRACKET FUEL TANK STAGE 5 700-800 SER		-
9	A437460	1	BRACKET COVER PLATES REAR STG5 700-800		-
10	A437653	1	BRACKET, BATTERY 700-800 SER		-
11	A442049	4	STOP PLATE STEERING		-
12	74782	2	HEXAGONAL NUT M8 WITH FLANGE		-
13	74836	2	CARRIAGE BOLT M8*20		-
14	65944	2	RUBBER PLUG F40/F32-12 S=5		-
15	A429202	2	HEXAGONAL SERRATED SCREW M8*25 WITH FLAN		-
16	74533	12	WASHER, PAIR, M16 NL16 NORDLOCK		-
17	A439220	6	HEXAGONAL SCREW M16*45 10.9 DIN 933		-
18	A439252	6	HEXAGONAL NUT M16 10.9 DIN 934		-
19	63944	4	WASHER, PAIR, NORD-LOCK M8		-
20	74918	4	HEXAGONAL HEAD SCREW M8*40 DIN 912		-
21	A429200	2	HEXAGONAL SERRATED SCREW M8*16 WITH		-

2.2.2024

A37449 ARTICULATION JOINT ASSEMBL REAR FRAME



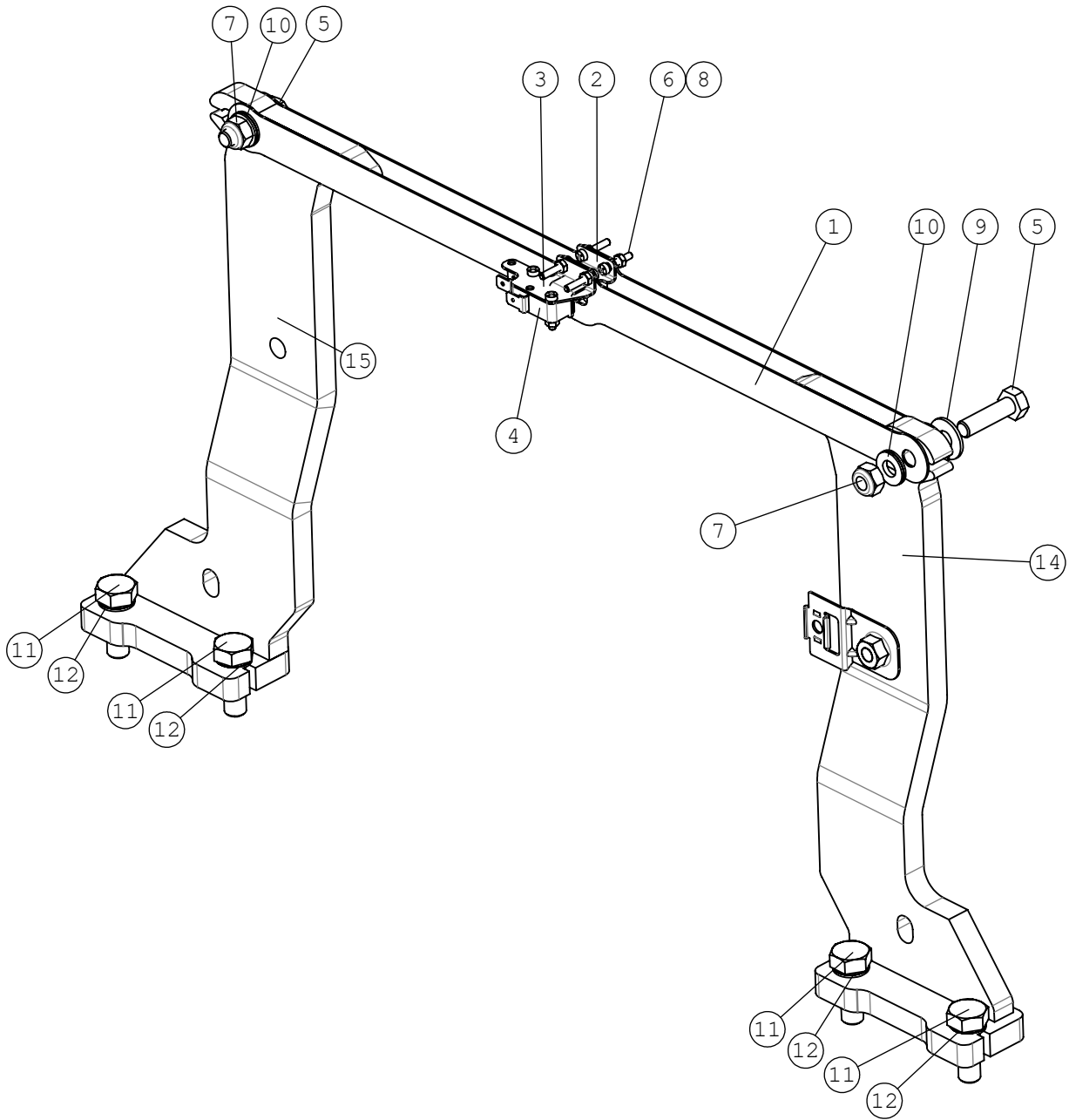
2.2.2024

A37449 ARTICULATION JOINT ASSEMBL REAR FRAME

REF	PART NO	QTY	DESCRIPTION	NOTES	PAGE
1	A444363	1	ARTICULATION JOINT CAST STEEL, ASSEMBLY		-
1.1	64911	2	ARTICUL. BEARING GE40ES F62/40-28(22)		-
2	A47043	2	PIVOT PIN F40-63		-
3	A47655	1	PIVOT PIN F30-60		-
4	74531	3	SPACER NORDLOCK M10, PAIR		-
5	A437915	3	HEXAGONAL HEAD SCREW M10*20 10.9 2		-
6	A48263	1	SHIM RING S=1 MM, ARTICULATION JOINT		-
7	72798	1	GREASE NIPPLE R 1/8" STRAIGHT		-
8	A437018	14	HEXAGONAL HEAD SCREW M12*40 12.9		-
9	74532	14	WASHER NORDLOCK NL12		-

2.2.2024

A415984 LOAD SENSOR SYSTEM, COMPLETE ASSEMBLY



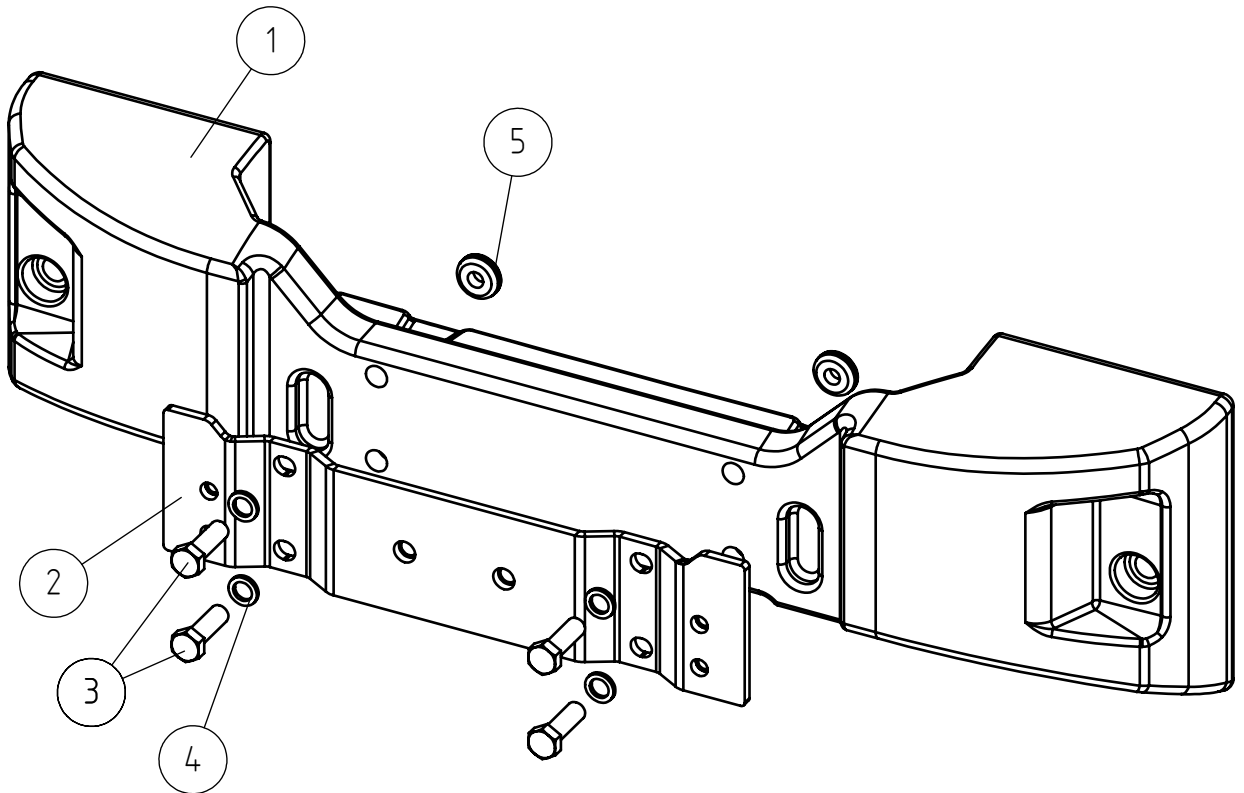
2.2.2024

A415984 LOAD SENSOR SYSTEM, COMPLETE ASSEMBLY

REF	PART NO	QTY	DESCRIPTION	NOTES	PAGE
1	A47912	2	BAND		-
2	A47908	1	CLAW		-
3	A47909	1	BRACKET, MICROSWITCH		-
4	64504	1	MICROSWITCH		-
5	72133	2	HEXAGONAL SCREW M8*30 DIN 933		-
6	74576	6	PAN HEAD MACHINE SCREW M3*16		-
7	72320	2	HEXAGONAL NUT M8 NYLOC DIN 985		-
8	74535	6	HEXAGONAL NUT M3		-
9	74525	2	WASHER M8 8,4*20*1,25 ZN		-
10	63944	2	WASHER, PAIR, NORD-LOCK M8		-
11	72151	4	HEXAGONAL SCREW M10*30 DIN 933 ZN		-
12	74531	4	SPACER NORDLOCK M10, PAIR		-
13	A417623	2	MOUNTING PLATE LOAD SENSOR SYSTEM		-
14	A417622	1	BRACKET, LEFT, LOAD SENSOR SYSTEM		-
15	A417621	1	BRACKET, RIGHT, LOAD SENSOR SYSTEM		-
16	A451560	1	BRACKET CONNECTOR PLUG		-
17	A450046	1	HEXAGONAL NUT M8 WITH FLANGE		-
18	A429201	1	HEXAGONAL SERRATED SCREW M8*20 WITH		-

2.2.2024

A36913 REAR WEIGHT (BUMPER) 168 KG, ASSEMBLY



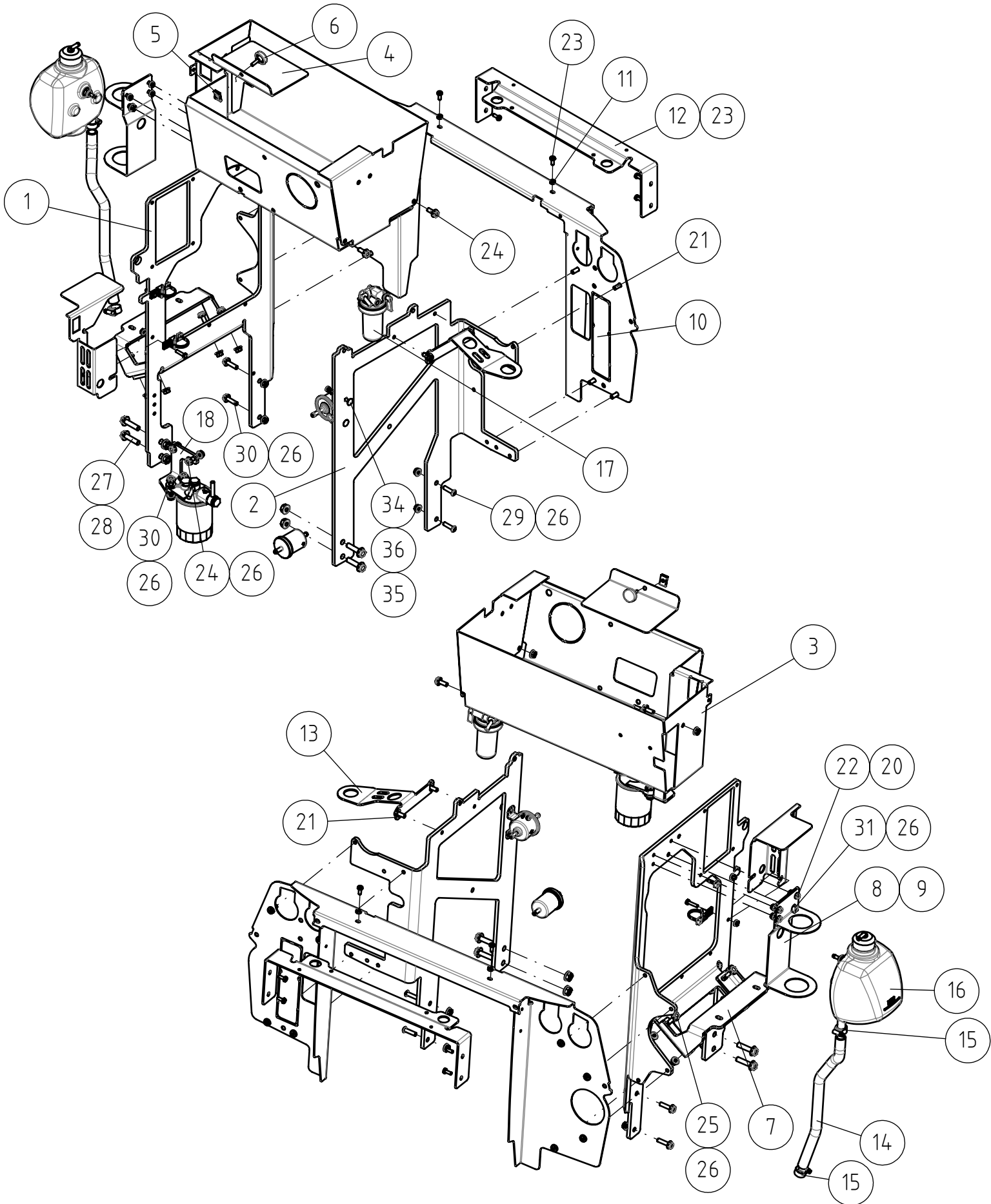
2.2.2024

A36913 REAR WEIGHT (BUMPER) 168 KG, ASSEMBLY

REF	PART NO	QTY	DESCRIPTION	NOTES	PAGE
1	A455991	1	REAR WEIGHT (BUMPER) 168KG WITH		-
2	A419683	1	MOUNTING PLATE, BACK WEIGHT 29 KG		-
3	72193	4	HEXAGONAL SCREW M16* 50 DIN 933		-
4	74533	4	WASHER, PAIR, M16 NL16 NORDLOCK		-
5	A423105	2	PRESS NUT M16 37 MM		-

2.2.2024

A456555 ENGINE BAY 735, 745, 750, 850

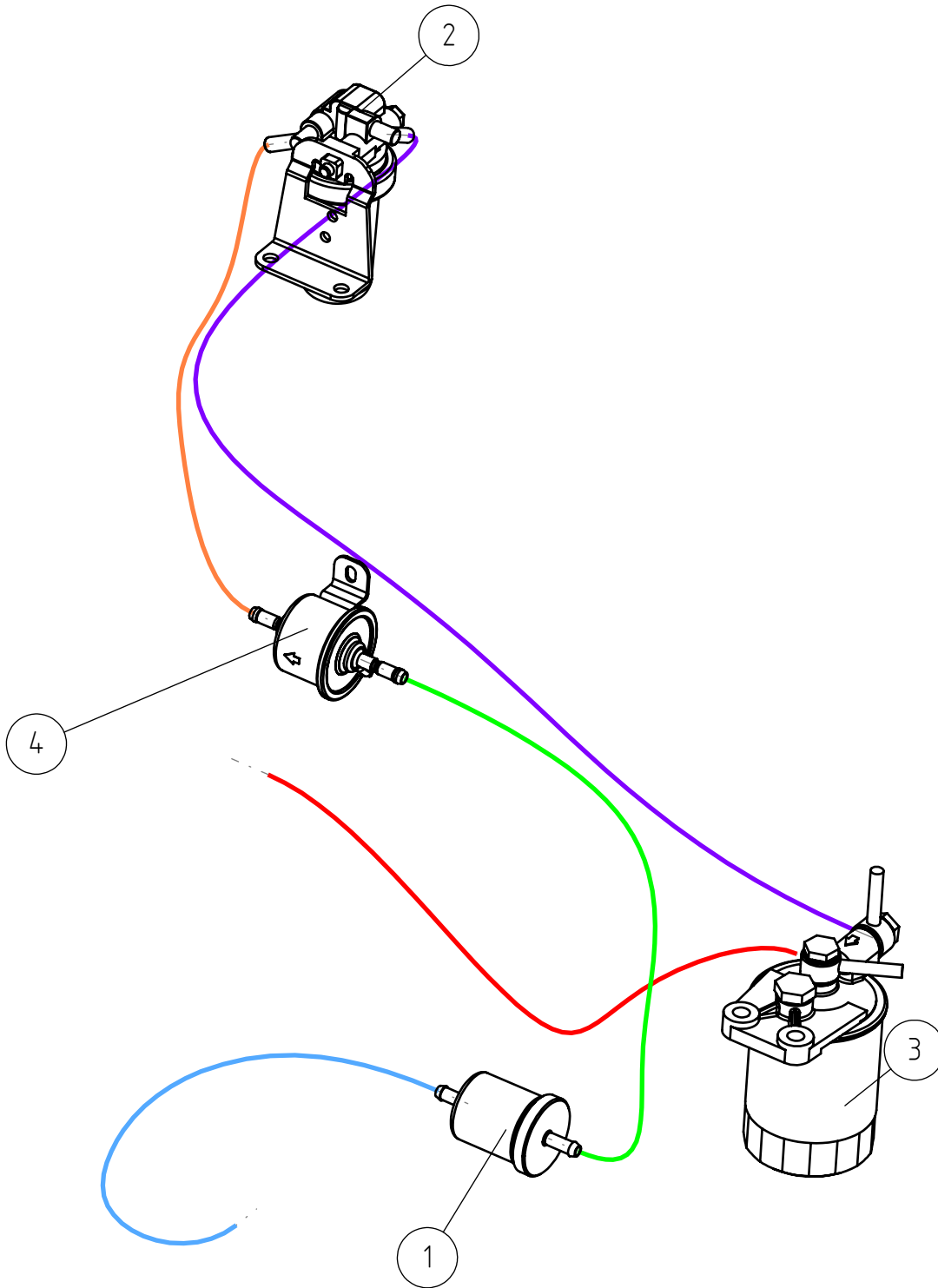


2.2.2024

A456555 ENGINE BAY 735, 745, 750, 850

REF	PART NO	QTY	DESCRIPTION	NOTES	PAGE
1	A447813	1	MOUNTING BRACKET, RIGHT		-
2	A450958	1	MOUNTING BRACKET LEFT 8MM 700-800 SER		-
3	A456559	1	EQUIPMENT COMPARTMENT		-
4	A419234	1	HATCH		-
5	74807	1	SPEED NUT M6, FOR 0.5-4.0 MM PLATE		-
6	64941	1	FINGER SCREW M6*20 R3015RM620S		-
7	A441478	1	BRACKET EXHAUST MUFFLER 735 745 750		-
8	A417250	1	BRACKET		-
9	A417251	1	BRACKET, UPPER		-
10	A447575	1	COUNTER PLATE REAR GRILLE 700/800 SERIES		-
11	A413429	2	SPACER		-
12	A446715	1	BRACKET UPPER RADIATOR 700/800 SERIES		-
13	A437344	1	MOUNTING BRACKET FUEL TANK		-
14	A450939	1	WATER HOSE OVERFLOW TANK 700/800		-
15	64337	2	HOSE CLAMP 19-28 MM ABA		-
16	A417223	1	OVERFLOW TANK WITH CAP 745-760I		-
16.1	66448	1	CAP EXPANSION TANK		-
17	A441676	1	FUEL SYSTEM ASSEMBLY WITH FILTER 700/800		60
18	A441663	1	BRACKET FUEL FILTER 700-800 SERIES		-
19	A456760	1	HEAT SHIELD WIRE HARNESS / EXHAUST		-
20	74781	5	HEXAGONAL NUT M6 WITH FLANGE		-
21	A435496	10	THREAD-FORMING SCREW M8*20 DIN 7500C		-
22	A431349	3	HEXAGONAL SERRATED SCREW M6*20 W. FLANG		-
23	75129	6	THREAD-FORMING SCREW M6*16 DIN 7500C		-
24	A429201	5	HEXAGONAL SERRATED SCREW M8*20 WITH		-
25	A429202	4	HEXAGONAL SERRATED SCREW M8*25 WITH FLAN		-
26	74782	16	HEXAGONAL NUT M8 WITH FLANGE		-
27	A432192	4	HEXAGONAL SERRATED SCREW M10*40 W. FLANG		-
28	74783	4	HEXAGONAL NUT M10 WITH FLANGE		-
29	A439829	2	HEXAGONAL HEAD SCREW M8*30 10.9 2		-
30	A429203	4	HEXAGONAL SERRATED SCREW M8*30 WITH		-
31	74481	1	HEXAGONAL HEAD SCREW M8*20 DIN 912 ZN		-
32	A442639	2	CABLE TIE 7,6*390 M6 BLACK		-
33	72119	2	HEXAGONAL SCREW M6*25 DIN 933 ZN		-
34	74913	2	CARRIAGE BOLT M6*20 DIN603		-
35	72318	2	HEXAGONAL NUT M 6 DIN 985 NYLOC		-
36	71680	2	WASHER M6 DIN 125		-

A441676 FUEL SYSTEM ASSEMBLY WITH FILTER 700/800



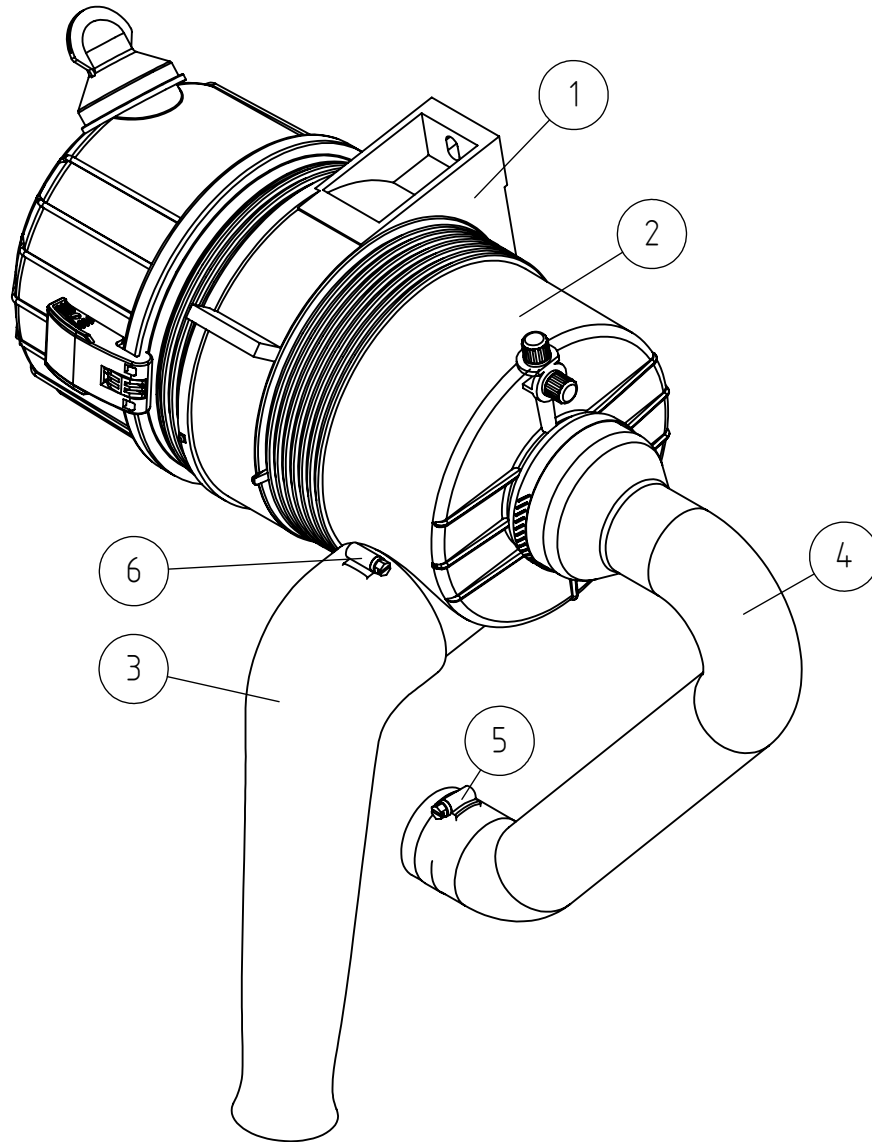
2.2.2024

A441676 FUEL SYSTEM ASSEMBLY WITH FILTER 700/800

REF	PART NO	QTY	DESCRIPTION	NOTES	PAGE
1	64657	1	FUEL FILTER IN HOSE 12581-43012 D1105		-
2	64920	1	WATER SEQUESTER, KIT, KUBOTA 16614-43001		-
3	65189	1	FUEL FILTER, KIT, V2403		-
3.1	64626	1	FUEL FILTER CARTRIDGE 15221-4308-0		-
4	64625	1	FUEL PUMP ELECTR.		-

2.2.2024

A461705 AIR FILTER ASSEMBLY AVANT 735 SER2



2.2.2024

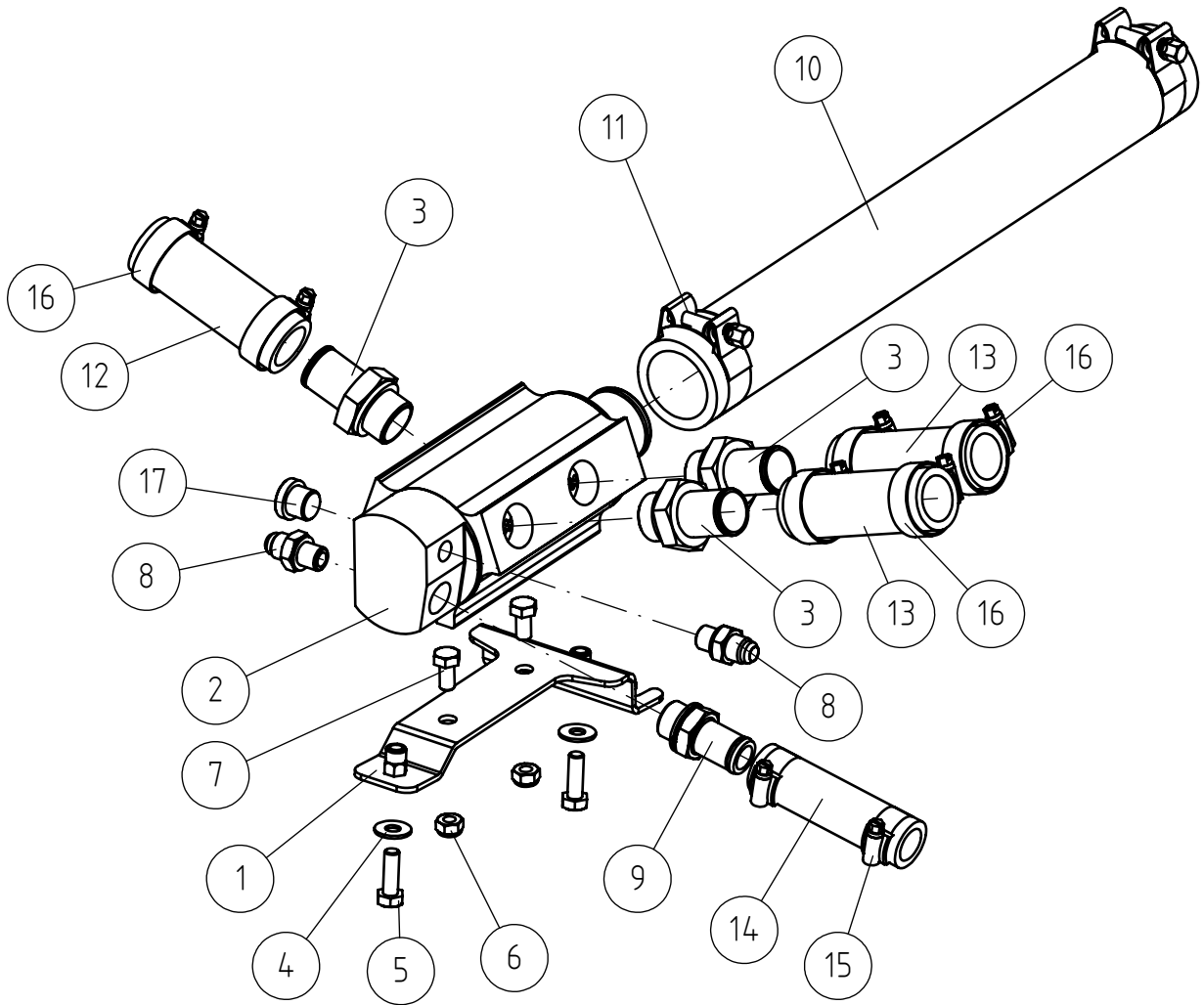
A461705 AIR FILTER ASSEMBLY AVANT 735 SER2

REF	PART NO	QTY	DESCRIPTION	NOTES	PAGE
1	65946	1	CLAMP, AIR FILTER 65941		-
2	65941	1	AIR FILTER COMPLETE KOHLER KDI 1903 TCR		-
2.1	66060	1	AIR FILTER CARTRIDGE 6351-6501 7551 7601		-
2.2	66061	1	AIR FILTER, INNER SCREEN ELEMENT		-
3	A419185	1	SUCTION RESTRICTOR HOSE		-
4	A439177	1	INLET HOSE 44MM/77MM AVANT 735		-
5	64338	1	HOSE CLAMP ABA 44-56 MM		-
6	64339	1	HOSE CLAMP ABA 68-85 MM		-

2.2.2024

A455668 HYDRAULIC MANIFOLD WITH HOSES ASSEMBLY

Starting from production week 33/2023
Earlier assembly
735: A436989
755/760: A37242

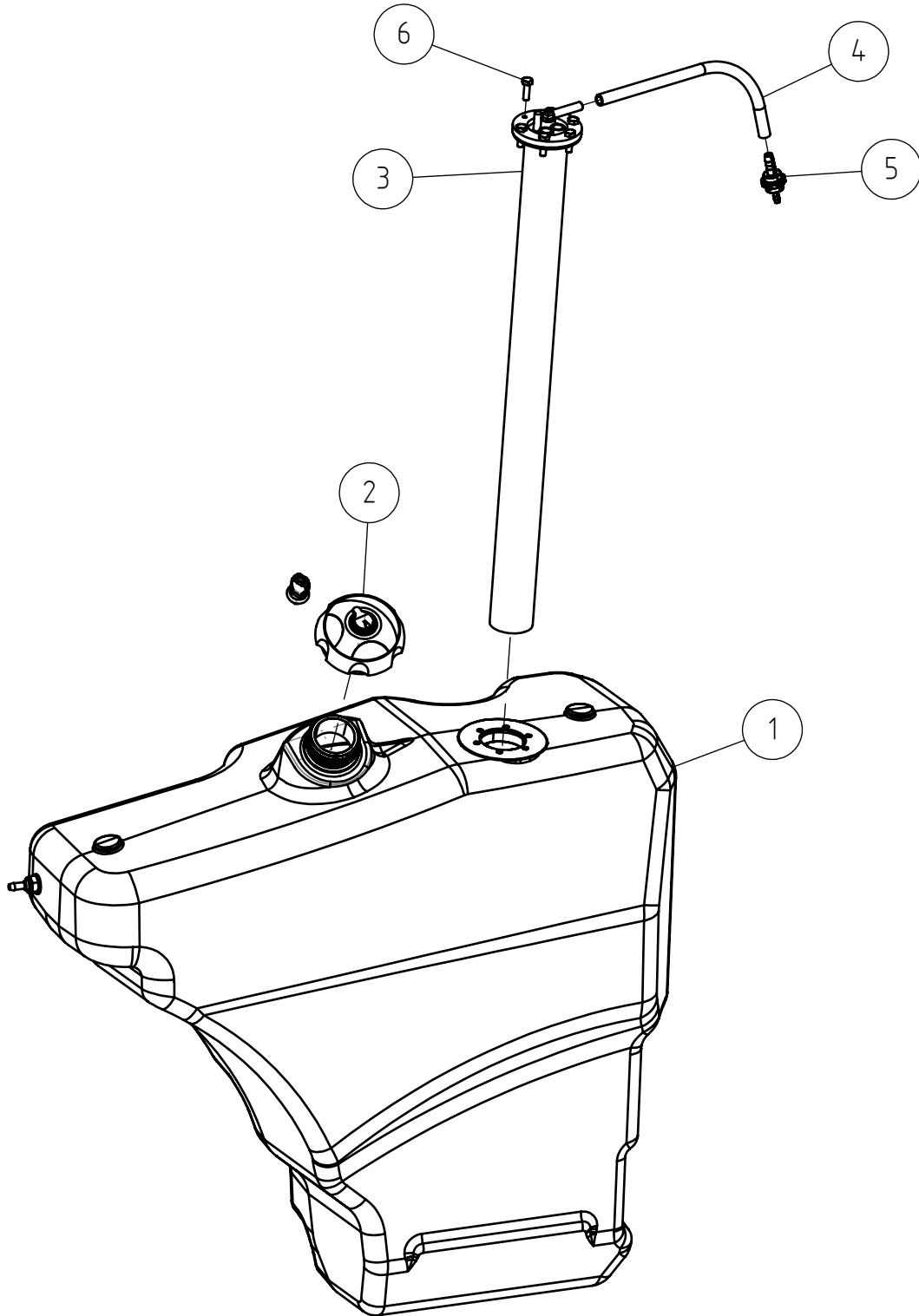


2.2.2024

A455668 HYDRAULIC MANIFOLD WITH HOSES ASSEMBLY

REF	PART NO	QTY	DESCRIPTION	NOTES	PAGE
1	A429660	1	MOUNTING BRACKET HYDRAULIC MANIFOLD		-
2	A450772	1	HYDRAULIC MANIFOLD ASSEMBLY		-
3	66107	3	HOSE BARB R3/4"UK - 25 MM L=58		-
4	74525	2	WASHER M8 8,4*20*1,25 ZN		-
5	72132	2	HEXAGONAL SCREW M 8*25 DIN 933 ZN		-
6	72320	2	HEXAGONAL NUT M8 NYLOC DIN 985		-
7	73039	2	HEXAGONAL SCREW M 8*16 DIN 933 ZN		-
8	64059	2	BASIC FITTING F40XS10-1/4		-
9	66428	1	HOSE BARB R1/2"UK - 20MM		-
10	A410028	1	INLET HOSE F53/F40-440		-
11	66013	2	PIPE CLAMP POWER-FLEX S-048-		-
12	A436985	1	INLET HOSE D25 L=590		-
13	A427074	2	INLET HOSE L=540 D25		-
14	A427305	1	INLET HOSE L=640 D19		-
15	73530	2	HOSE CLAMP 22-32 MM		-
16	73809	6	HOSE CLAMP 32-44 MM		-
17	74411	1	HEXAGONAL PLUG HF 3/8" HTUNG		-

A436129 FUEL TANK ASSEMBLY 66L

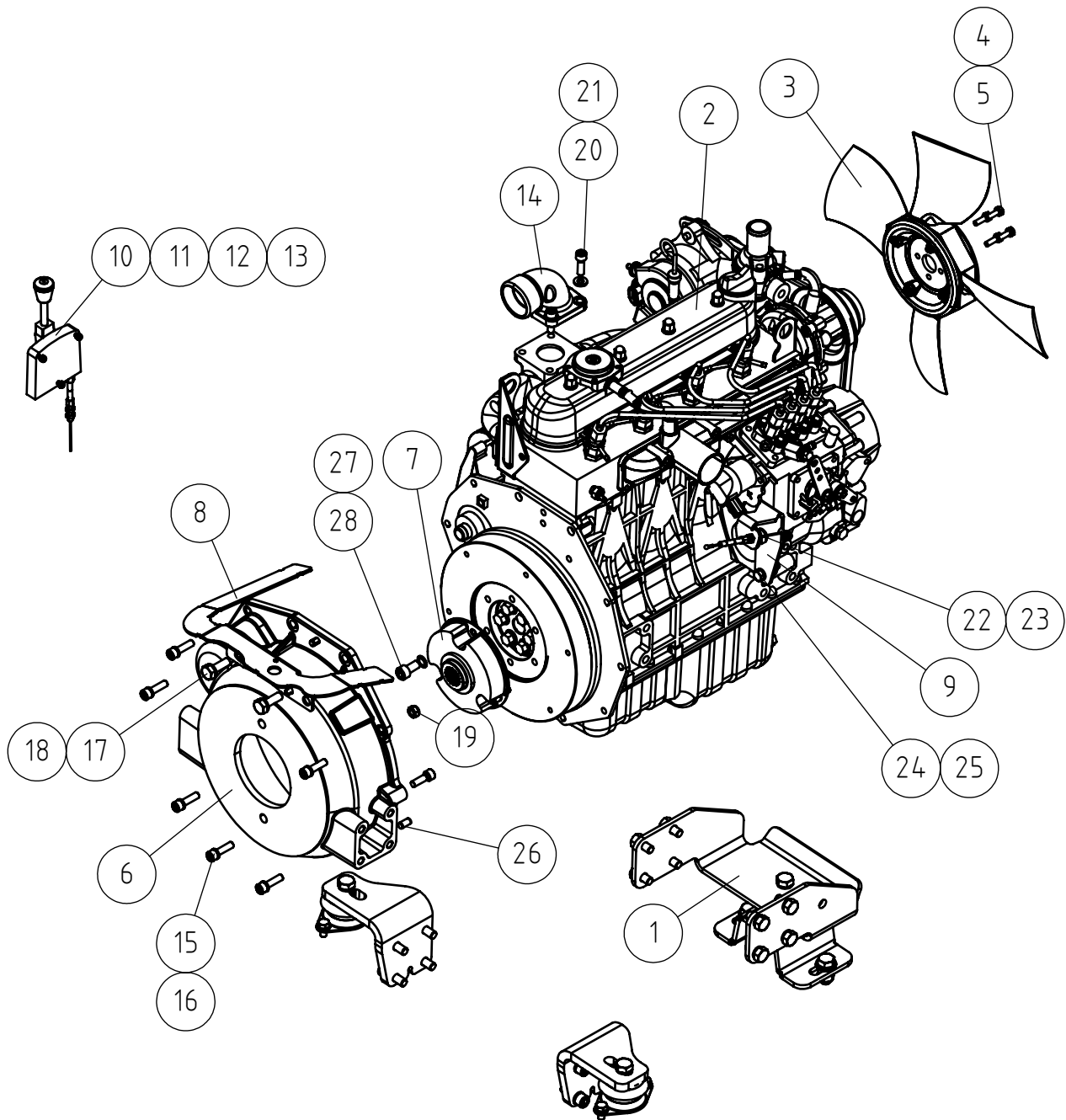


2.2.2024

A436129 FUEL TANK ASSEMBLY 66L

REF	PART NO	QTY	DESCRIPTION	NOTES	PAGE
1	A436127	1	FUEL TANK 66 LITRES		-
2	A410521	1	FUEL TANK CAP, LOCKABLE		-
3	A436296	1	SENSOR FUEL GAUGE		-
4	A422532	1	FUEL HOSE L=350		-
5	A422526	1	CHECK VALVE FUEL TANK		-
6	72118	6	HEXAGONAL SCREW M6*20 DIN 933		-

A460851 ENGINE V1505 AVANT 735 SER2 ASSEMBLY



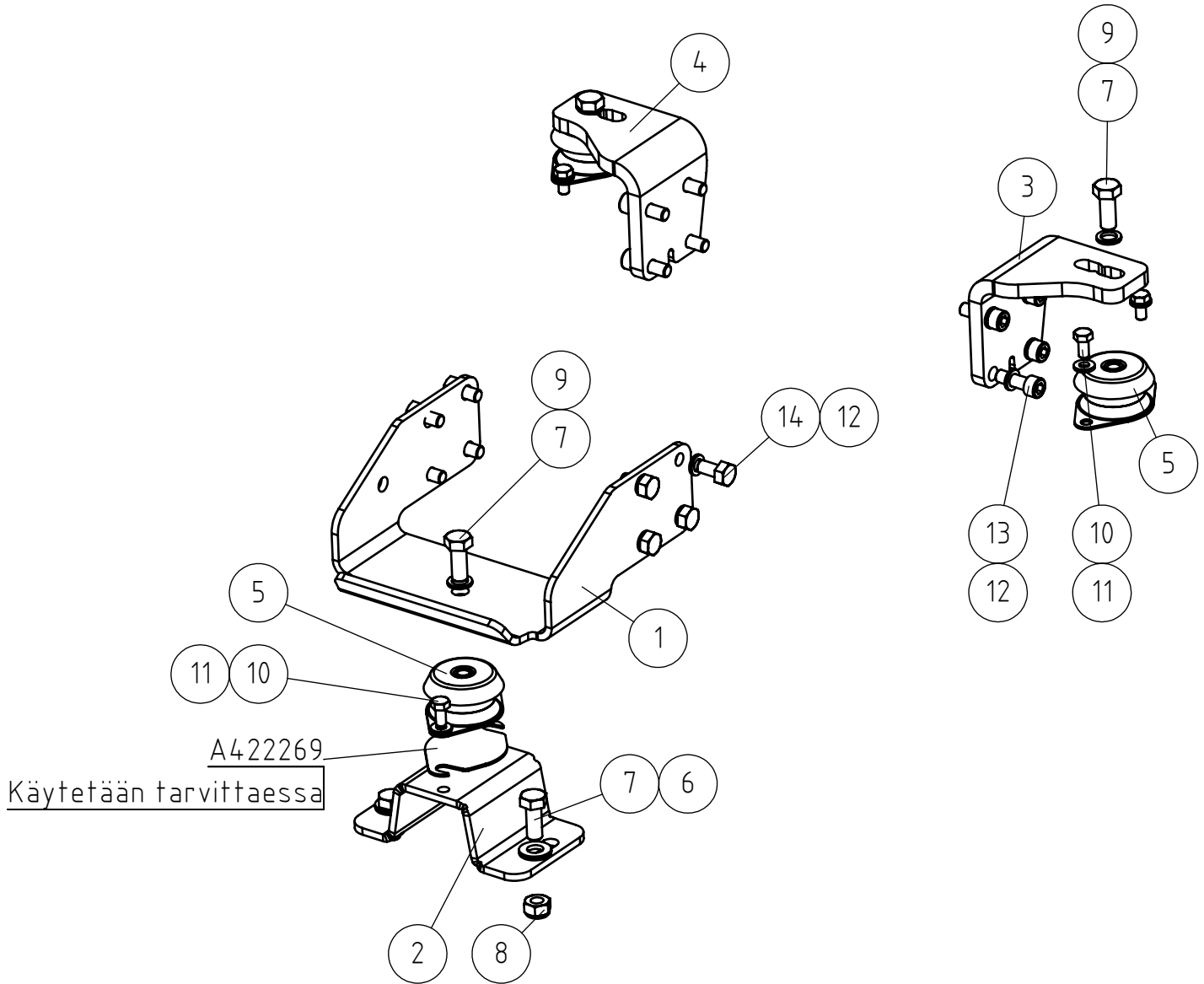
2.2.2024

A460851 ENGINE V1505 AVANT 735 SER2 ASSEMBLY

REF	PART NO	QTY	DESCRIPTION	NOTES	PAGE
1	A462305	1	ENGINE MOUNTS ASSEMBLY KUBOTA V1505 STG5		70
2	A461342	1	ENGINE ASSEMBLY KUBOTA V1505 19KW STG5		72
3	66450	1	FAN F380, 4 BLADE		-
4	74530	4	WASHER NORDLOCK NL6		-
5	72118	4	HEXAGONAL SCREW M6*20 DIN 933		-
6	A447377	1	FLYWHEEL HOUSING KUBOTA 05 SAE B		-
7	A432900	1	COUPLING Z=15 S=39		-
8	A454865	1	MOUNTING BRACKET WIRE HARNESS ENGINE		-
9	A47999	1	BRACKET, GAS WIRE		-
10	A459428	1	HAND THROTTLE WITH GAS WIRE L=3200MM		-
11	72313	3	HEXAGONAL NUT M4 DIN 985 NYLOC		-
12	74582	3	CROSS-SLOT COUNTERSUNK HEAD SCREW M4*25		-
13	74415	1	SCREW NIPPLE 128.244 S&N 2.35.0000.208		-
14	A457287	1	ADAPTER TUBE EXHAUST MUFFLER D902 D1105		-
15	73100	6	HEXAGONAL HEAD SCREW M8*30 DIN 912 2		-
16	75100	7	SPACER NORDLOCK M8 NL8, PAIR		-
17	A433246	2	HEXAGONAL SCREW M10*1,25*30 DIN 961		-
18	73612	2	WASHER M10 DIN 127		-
19	72320	2	HEXAGONAL NUT M8 NYLOC DIN 985		-
20	71884	5	HEXAGONAL HEAD SCREW M 8*25 DIN 912 2		-
21	63944	4	WASHER, PAIR, NORD-LOCK M8		-
22	74789	1	HEXAGONAL SCREW M10*1,25-20		-
23	74531	1	SPACER NORDLOCK M10, PAIR		-
24	72133	1	HEXAGONAL SCREW M8*30 DIN 933		-
25	73962	1	WASHER M 8 DIN 127		-
26	A433236	1	DOWEL PIN H8*16 DIN 7		-
27	A434424	3	SAFETY WASHER M10 3/8"		-
28	A433247	3	HEXAGONAL HEAD SCREW M10*1,25*20 DIN 961		-

2.2.2024

A462305 ENGINE MOUNTS ASSEMBLY KUBOTA V1505 STG5



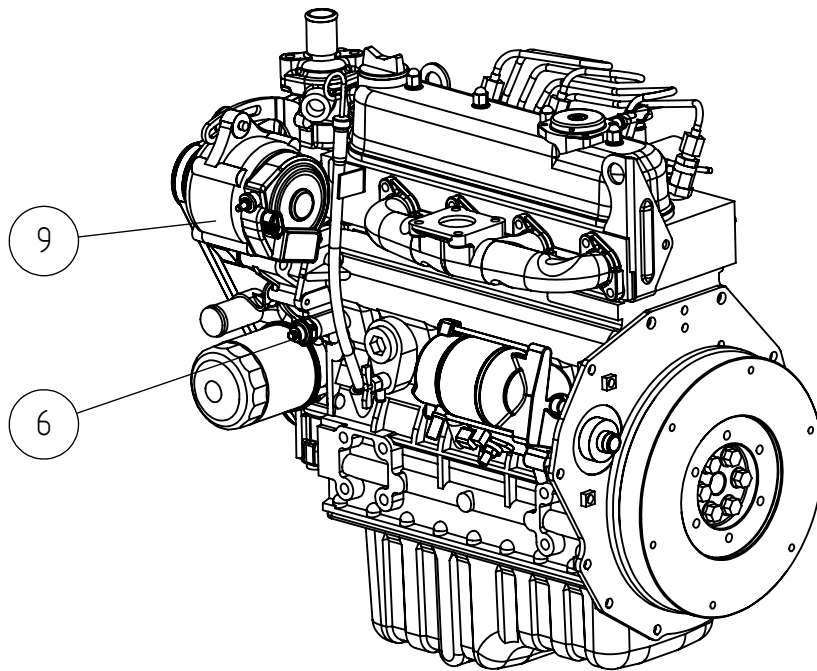
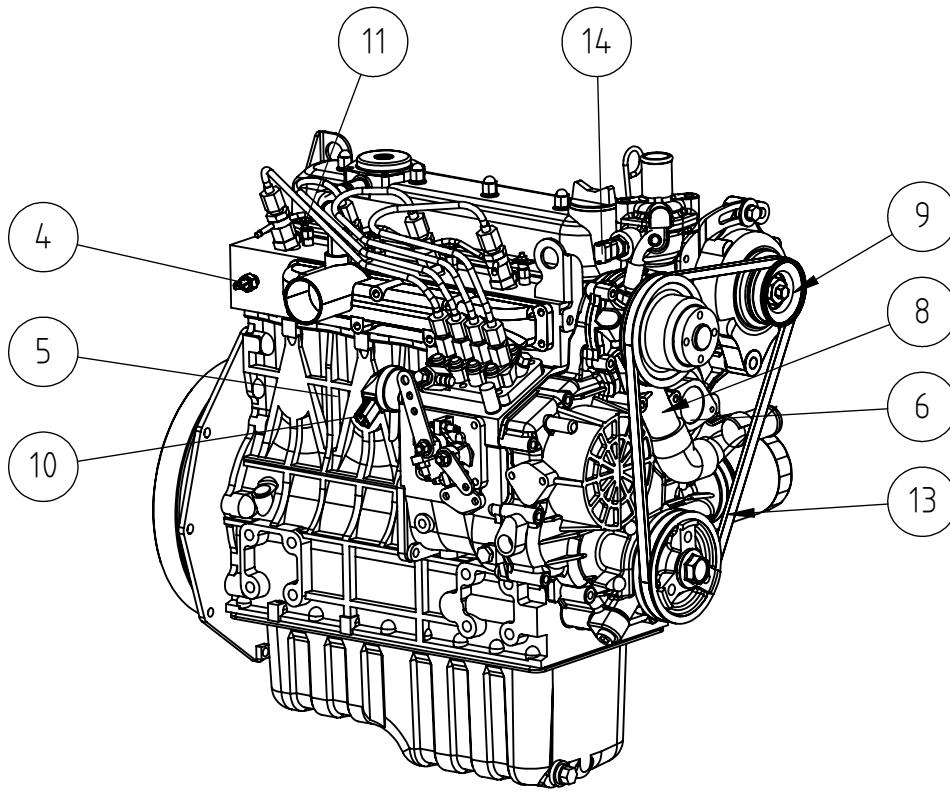
2.2.2024

A462305 ENGINE MOUNTS ASSEMBLY KUBOTA V1505 STG5

REF	PART NO	QTY	DESCRIPTION	NOTES	PAGE
1	A47252	1	MOUNTING BRACKET, ENGINE, REAR, 600/735		-
2	A433511	1	MOUNTING BRACKET ENGINE MOUNT V1505 STG5		-
3	A433310	1	MOUNTING BRACKET RIGHT, ENGINE V1505		-
4	A433231	1	MOUNTING BRACKET LEFT, ENGINE V1505		-
5	64843	3	ENGINE MOUNT NOVIBRA M12 - 2*F8,5		-
6	A430999	2	WASHER, PAIR, M12 NORDLOCK		-
7	72167	5	HEXAGONAL SCREW M12*30 DIN 933		-
8	72324	2	HEXAGONAL NUT M 12 NYLOC DIN 985		-
9	74532	3	WASHER NORDLOCK NL12		-
10	73039	6	HEXAGONAL SCREW M 8*16 DIN 933 ZN		-
11	63944	6	WASHER, PAIR, NORD-LOCK M8		-
12	74531	17	SPACER NORDLOCK M10, PAIR		-
13	A450915	8	HEXAGONAL HEAD SCREW M10X1,25X30 DIN 912		-
14	74789	8	HEXAGONAL SCREW M10*1,25-20		-

2.2.2024

A461342 ENGINE ASSEMBLY KUBOTA V1505 19KW STG5



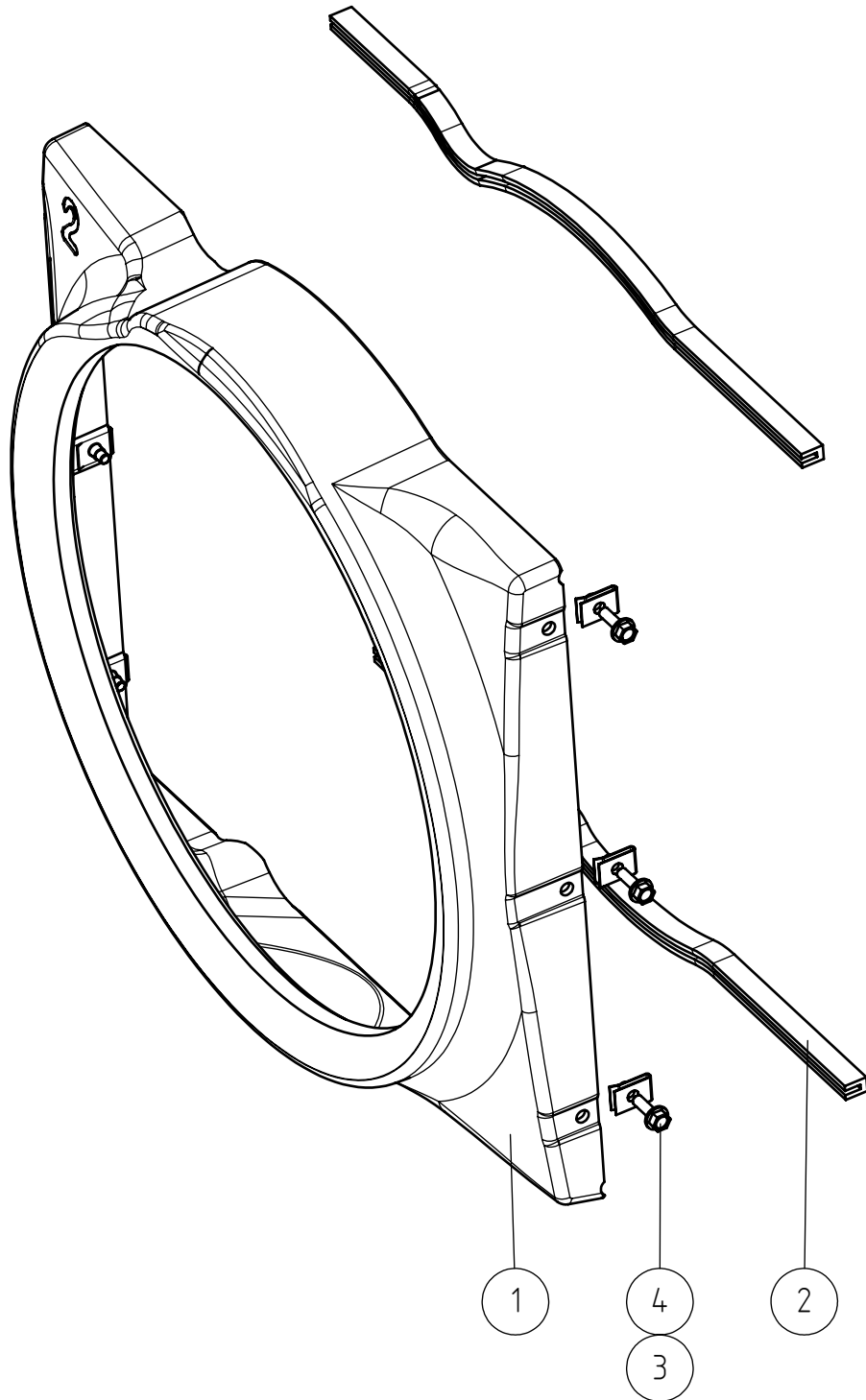
2.2.2024

A461342 ENGINE ASSEMBLY KUBOTA V1505 19KW STG5

REF	PART NO	QTY	DESCRIPTION	NOTES	PAGE
1	A461342	1	ENGINE ASSEMBLY KUBOTA V1505 19KW STG5		72
2	A429739	1	GASKET THERMOSTAT KUBOTA		-
3	A433140	1	V-BELT L=940 KUBOTA V1505		-
4	A444459	1	TEMPERATURE SWITCH 115° C KUBOTA		-
5	A429581	1	STARTER MOTOR ASSEMBLY KUBOTA		-
6	64428	1	OIL PRESSURE SENSOR, Z482/D722		-
7	64627	1	ENGINE OIL FILTER KUBOTA 16271-3209-2		-
8	A429578	1	WATER PUMP KUBOTA D1105/V1505		-
9	65574	1	ALTERNATOR KUBOTA 60A (KIT)		-
10	65245	1	STOP SOLENOID KUBOTA D1105		-
11	64285	1	GLOW PLUG KUBOTA Z482/D722/D1105		-
12	A451772	1	INJECTION PUMP KUBOTA V1505 19KW / 26KW		-
13	A461269	1	V-BELT L=965 X10 KUBOTA 38"		-
14	A433798	1	TEMPERATURE SENSOR TF-W		-

2.2.2024

A461143 WIND TUNNEL NO. 2 ASSEMBLY



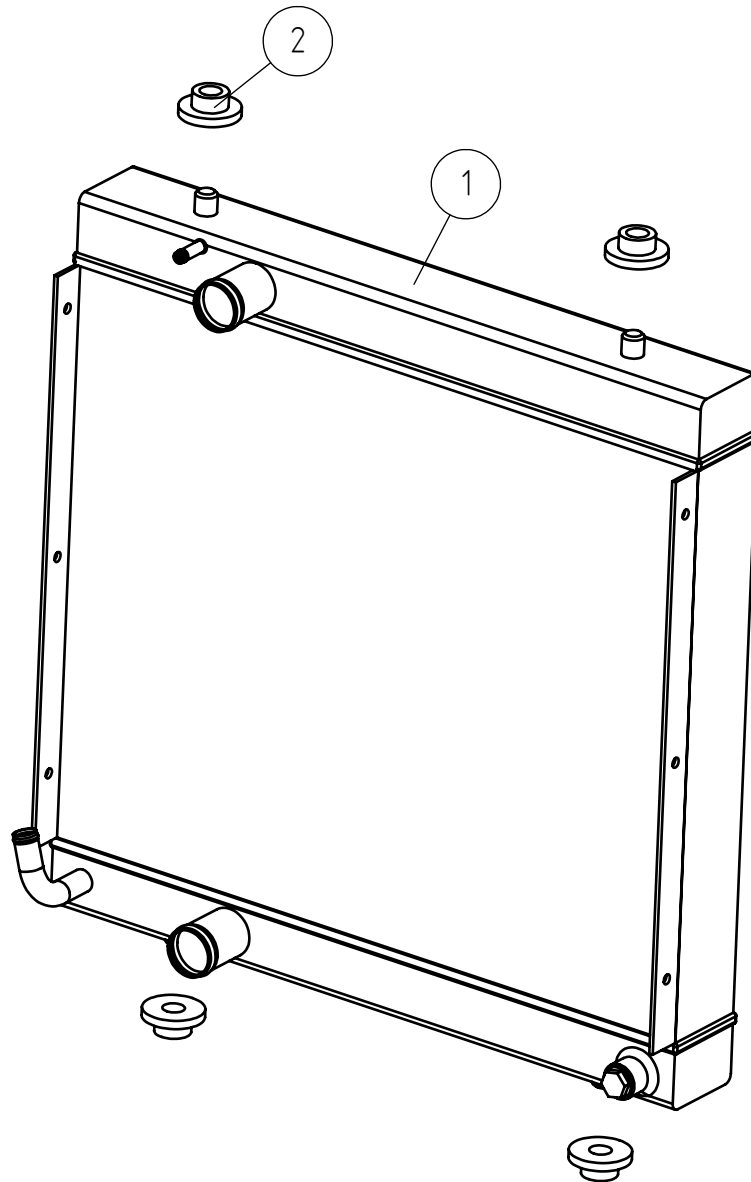
2.2.2024

A461143 WIND TUNNEL NO. 2 ASSEMBLY

REF	PART NO	QTY	DESCRIPTION	NOTES	PAGE
1	A443060	1	WIND TUNNEL 635 640 735 745 750		-
2	A438764	1	EDGE STRIP WIND TUNNEL KOHLER KDI		-
3	74807	6	SPEED NUT M6, FOR 0.5-4.0 MM PLATE		-
4	A431349	6	HEXAGONAL SERRATED SCREW M6*20 W. FLANG		-

2.2.2024

A460889 RADIATOR ASSEMBLY

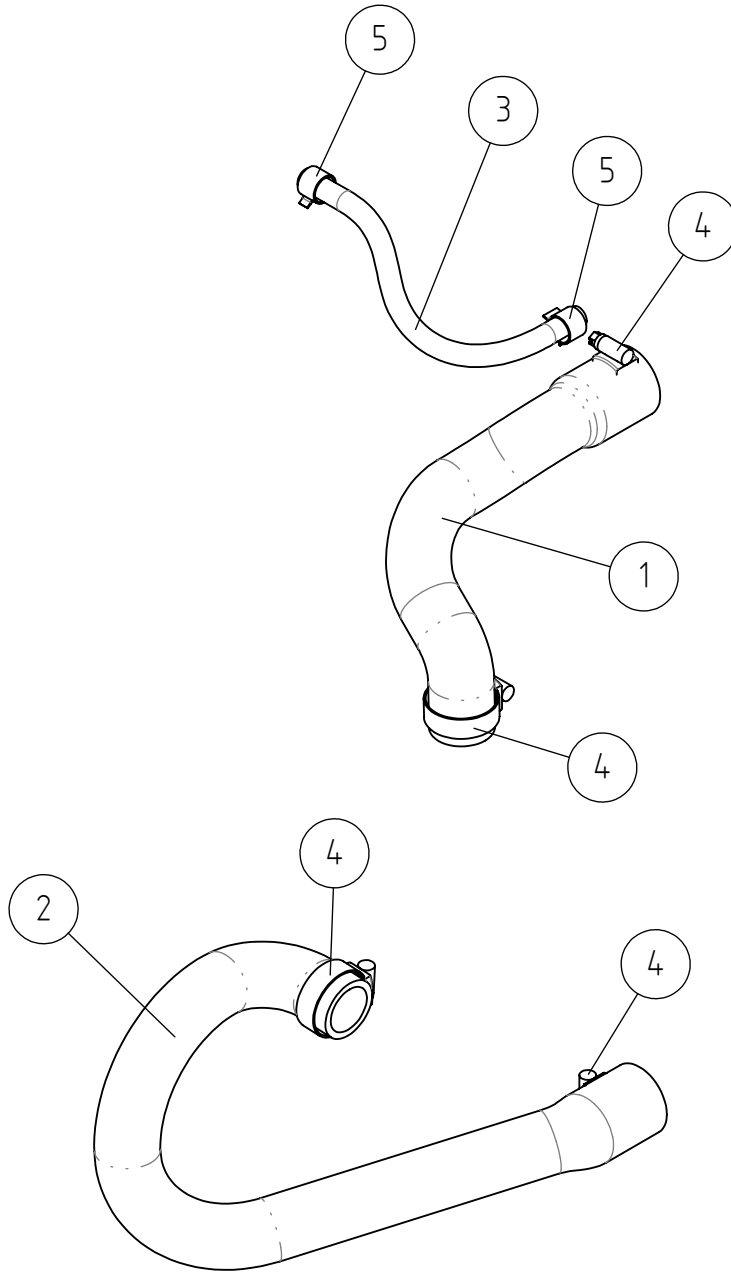


2.2.2024

A460889 RADIATOR ASSEMBLY

REF	PART NO	QTY	DESCRIPTION	NOTES	PAGE
1	A443473	1	RADIATOR KUBOTA/KOHLER		-
2	A420381	4	VIBRATION DAMPER RUBBER RADIATOR		-

A461935 RADIATOR HOSES ASSEMBLY AVANT 735



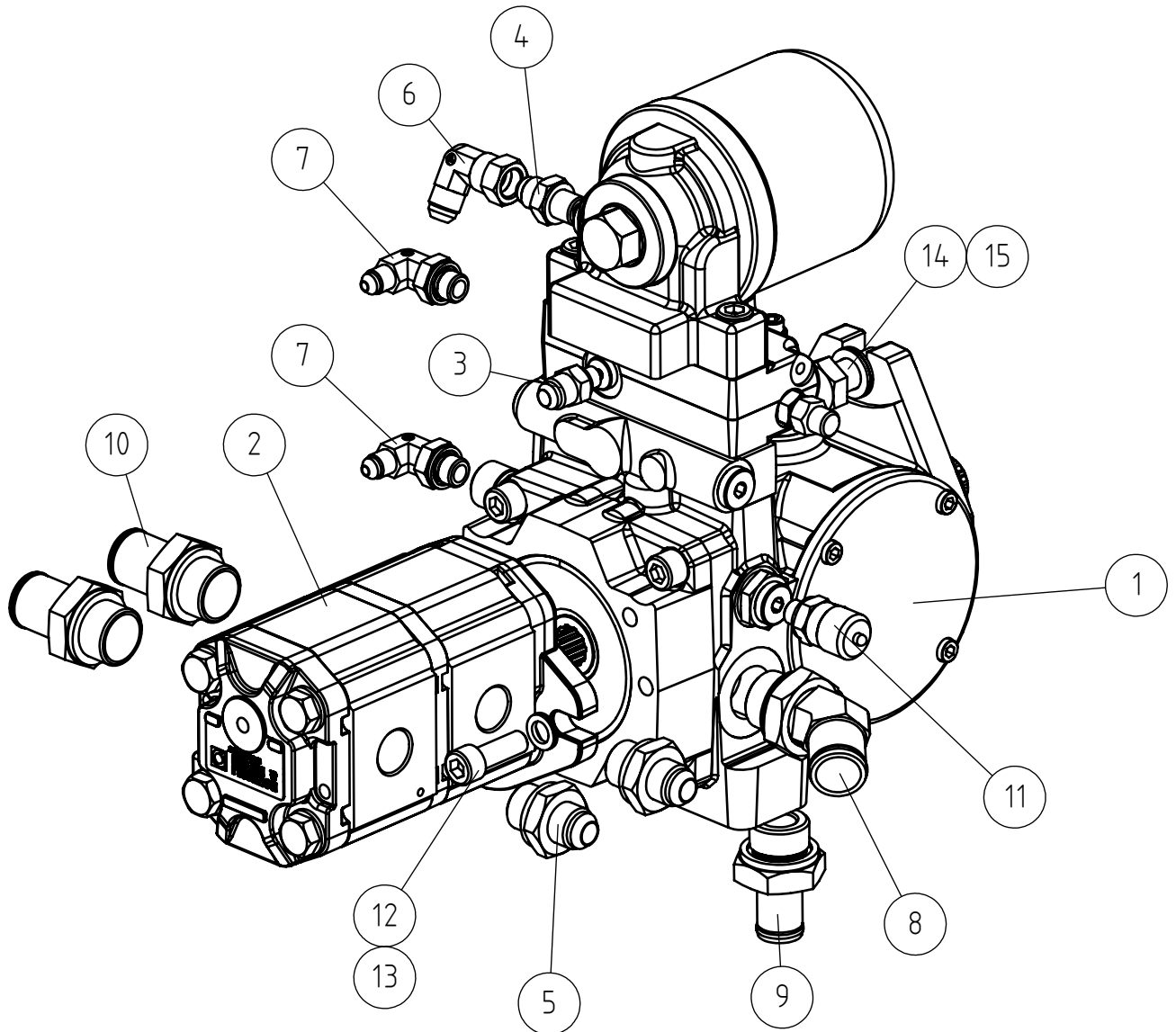
2.2.2024

A461935 RADIATOR HOSES ASSEMBLY AVANT 735

REF	PART NO	QTY	DESCRIPTION	NOTES	PAGE
1	A455607	1	RADIATOR HOSE UPPER D1105/V1505		-
2	A445074	1	RADIATOR HOSE LOWER KUBOTA		-
3	A419237	1	RADIATOR HOSE L=250 700 SERIES		-
4	73809	4	HOSE CLAMP 32-44 MM		-
5	A453015	2	SPRING BAND HOSE CLAMP D13,5 DIN 3021		-

2.2.2024

A458167 HYDRAULIC PUMPS ASSEMBLY 635I 640I



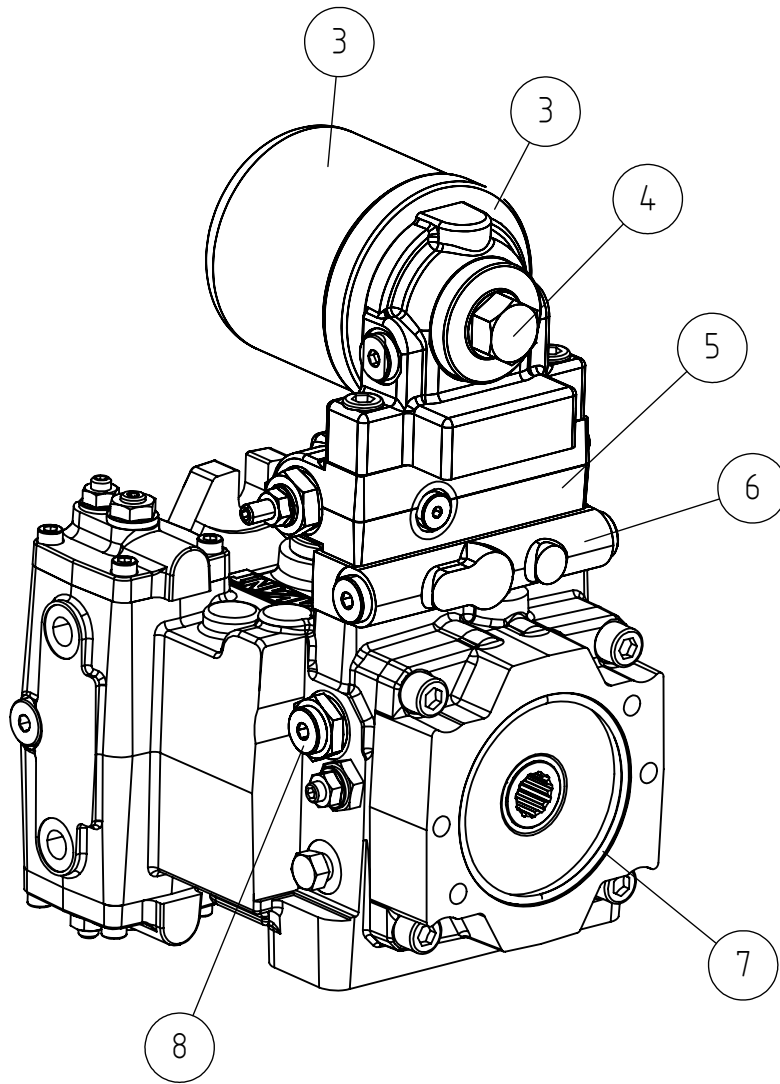
2.2.2024

A458167 HYDRAULIC PUMPS ASSEMBLY 635I 640I

REF	PART NO	QTY	DESCRIPTION	NOTES	PAGE
1	A449801	1	VARIABLE DISPL. PUMP 26CC+9CC 370 BAR		82
2	64916	1	HYDRAULIC PUMP B&P 11+11CM3		-
3	64346	1	BASIC FITTING F40XS10-1/8"		-
4	64059	1	BASIC FITTING F40XS10-1/4		-
5	64058	2	BASIC FITTING F40XS12-1/2		-
6	64043	1	ELBOW FITTING 90° C6XS10		-
7	64687	2	ELBOW FITTING 90° C40XS6-1/4"		-
8	66362	1	HOSE BARB 45° R3/4"UK - 25MM		-
9	66427	1	HOSE BARB R3/4"UK - 20MM		-
10	66107	2	HOSE BARB R3/4"UK - 25 MM L=58		-
11	65559	2	MANOMETER FITTING M16*2		-
12	74467	2	HEXAGONAL HEAD SCREW M10* 30 DIN 912		-
13	74531	2	SPACER NORDLOCK M10, PAIR		-
14	74511	2	HEXAGONAL SCREW M14* 30 DIN 933		-
15	74690	2	WASHER NORDLOCK M14 NL14		-

2.2.2024

A449801 VARIABLE DISPL. PUMP 26CC+9CC 370 BAR



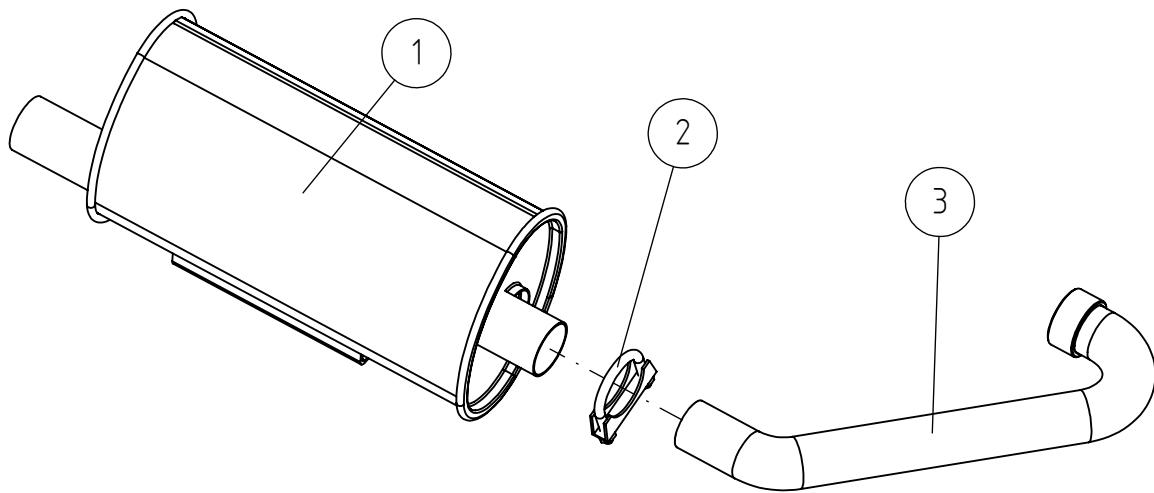
2.2.2024

A449801 VARIABLE DISPL. PUMP 26CC+9CC 370 BAR

REF	PART NO	QTY	DESCRIPTION	NOTES	PAGE
1	A449801	1	VARIABLE DISPL. PUMP 26CC+9CC 370 BAR		82
2	A451003	1	MOUNTING BRACKET PRESSURE FILTER		-
3	64807	1	PRESSURE FILTER, HYDR. B&P 539047001		-
4	66414	1	FASTENING BOLT PRESSURE FILTER BONDIOLI		-
5	A451014	1	POWER LIMITER 2-WAY VARIABLE DISPL. PUMP		-
6	A451016	1	FLUSHING VALVE VARIABLE DISPL. PUMP		-
7	A442619	1	O-RING Ø 82,22X2,62 90 SH VARIABLE		-
8	66165	2	PRESSURE RELIEF CARTRIDGE 370BAR		-
9	A430053	1	SEAL KIT, HYDRAULIC PUMP M4PV21-		-

2.2.2024

A441520 EXHAUST MUFFLER & PIPE AVANT 735



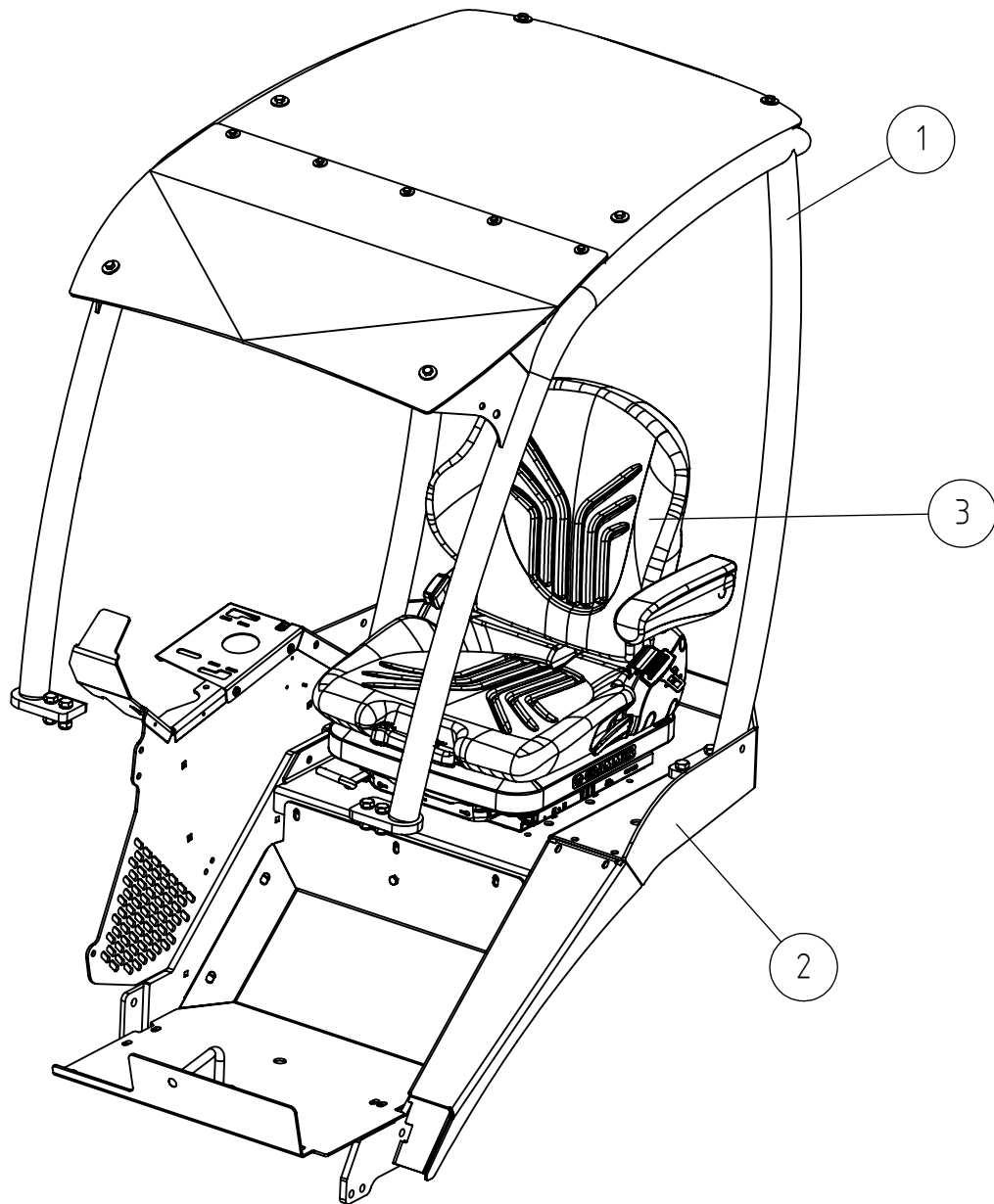
2.2.2024

A441520 EXHAUST MUFFLER & PIPE AVANT 735

REF	PART NO	QTY	DESCRIPTION	NOTES	PAGE
1	A439181	1	EXHAUST MUFFLER 735 745 750		-
2	A445764	1	CLAMP EXHAUST PIPE D=48 M8		-
3	A445807	1	EXHAUST PIPE FRONT PART BEND 735		-

2.2.2024

A462015 ROPS/FOPS CAB ASSEMBLY 600-700 SERIES



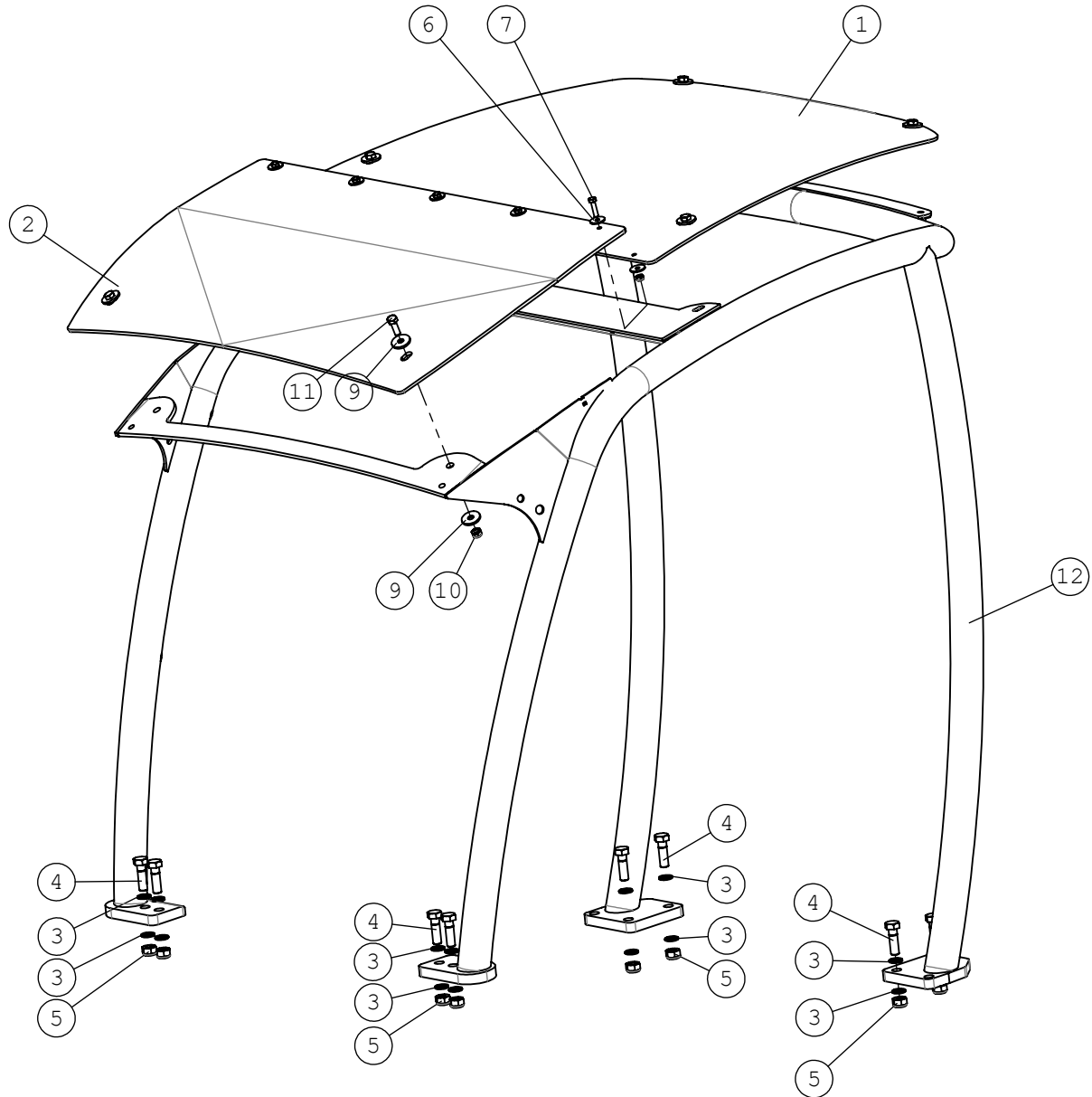
2.2.2024

A462015 ROPS/FOPS CAB ASSEMBLY 600-700 SERIES

REF	PART NO	QTY	DESCRIPTION	NOTES	PAGE
1	A49119	1	ROPS FRAME WITH FOPS CANOPY, 600/700 SER		88
2	A462011	1	SEAT BASE ASSEMBLY 500-700 SERIES		90
3	A449718	1	SEAT FULL SUSPENSION VINYL HEATER MSG65		-
4	A450046	4	HEXAGONAL NUT M8 WITH FLANGE		-

2.2.2024

A49119 ROPS FRAME WITH FOPS CANOPY, 600/700 SER



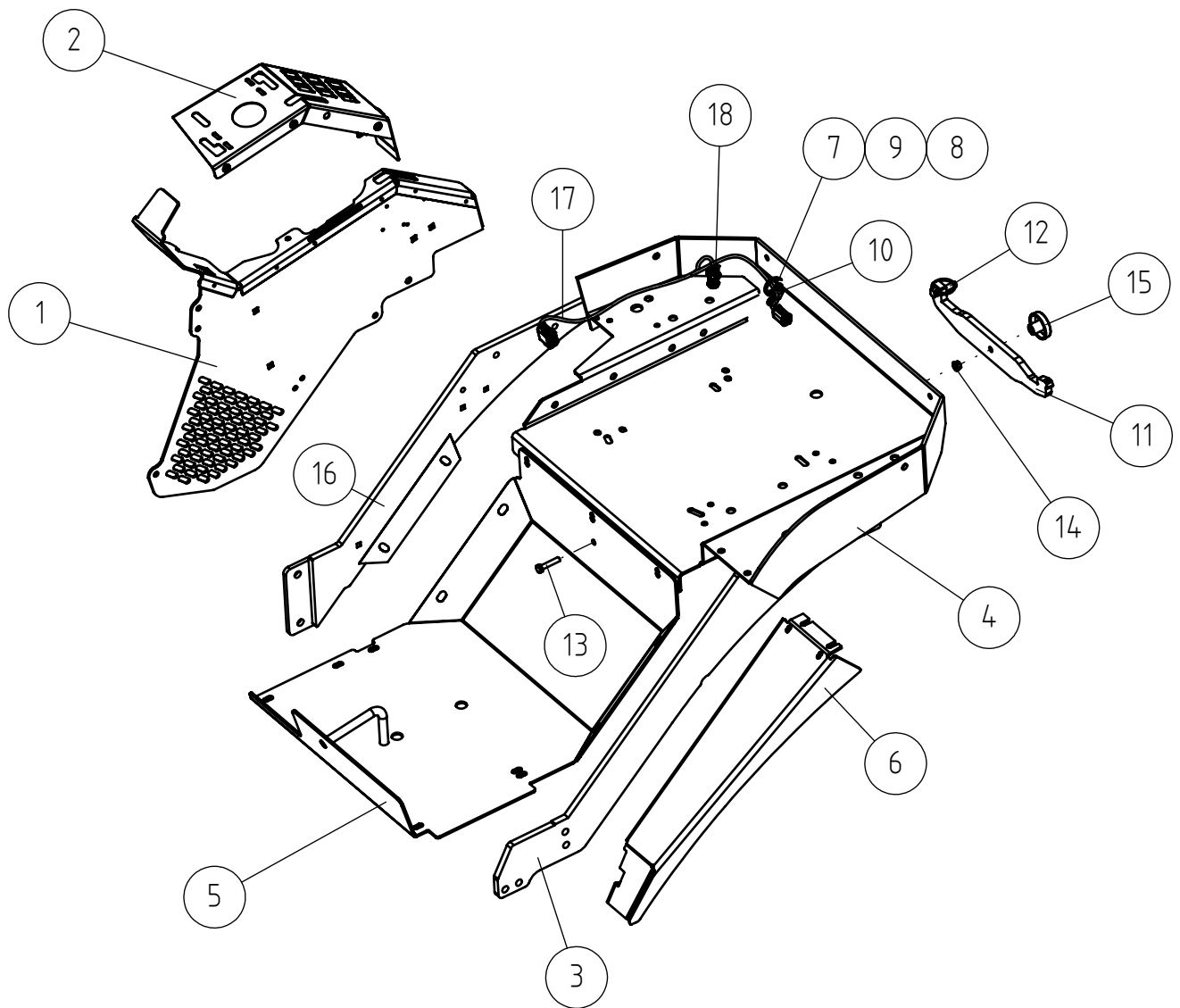
2.2.2024

A49119 ROPS FRAME WITH FOPS CANOPY, 600/700 SER

REF	PART NO	QTY	DESCRIPTION	NOTES	PAGE
1	A48905	1	FOPS CANOPY PLATE 500/600/700		-
2	A48909	1	CANOPY, SHORT, POLYCARBONATE (WITH FOPS)		-
3	74532	16	WASHER NORDLOCK NL12		-
4	73322	8	HEXAGONAL SCREW M12*40 DIN 931		-
5	72324	8	HEXAGONAL NUT M 12 NYLOC DIN 985		-
6	71681	10	WASHER M6 DIN 440		-
7	72119	5	HEXAGONAL SCREW M6*25 DIN 933 ZN		-
8	72318	5	HEXAGONAL NUT M 6 DIN 985 NYLOC		-
9	71685	12	WASHER M8 R9 DIN 440 ZN		-
10	72320	6	HEXAGONAL NUT M8 NYLOC DIN 985		-
11	72132	6	HEXAGONAL SCREW M 8*25 DIN 933 ZN		-
12	A33920	1	ROPS FRAME 1090 MM 600/700 SERIES		-

2.2.2024

A462011 SEAT BASE ASSEMBLY 500-700 SERIES

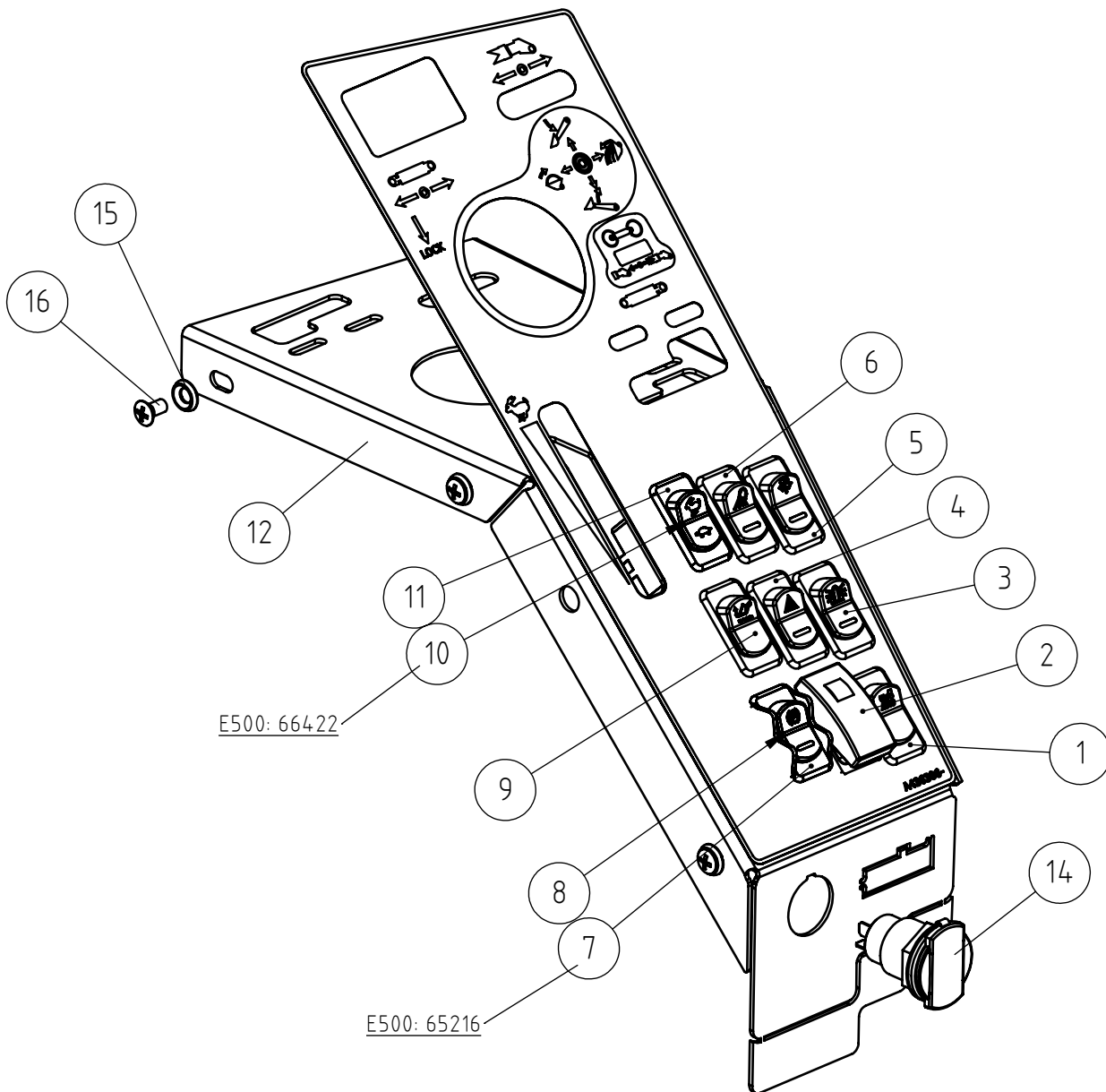


2.2.2024

A462011 SEAT BASE ASSEMBLY 500-700 SERIES

REF	PART NO	QTY	DESCRIPTION	NOTES	PAGE
1	A438092	1	MOUNTING PLATE CONTROL VALVE HDS16		-
2	A439987	1	INSTRUMENT PANEL WITH DECAL 700 / 800		92
3	A47834	1	BAR, LEFT		-
4	A48246	1	SEAT BASE		-
5	A47399	1	FLOOR PLATE		-
6	A47531	1	EDGE PLATE		-
7	74767	1	RAISED COUNTERSUNK HEAD SCREW M6*20		-
8	74768	1	WASHER CONICAL M6		-
9	74781	1	HEXAGONAL NUT M6 WITH FLANGE		-
10	A442639	1	CABLE TIE 7,6*390 M6 BLACK		-
11	A410307	1	FRAME LOCK		-
12	71727	1	LINCH PIN 9,5 MM		-
13	73222	1	HEXAGONAL SCREW M8*40 DIN 933		-
14	74782	1	HEXAGONAL NUT M8 WITH FLANGE		-
15	64188	1	FINGER SCREW R5026M8S		-
16	A47389	1	BAR, RIGHT		-
17	A451202	1	WIRE HARNESS SEAT GRAMMER		-
18	A433798	1	TEMPERATURE SENSOR TF-W		-

A439987 INSTRUMENT PANEL WITH DECAL 700 / 800

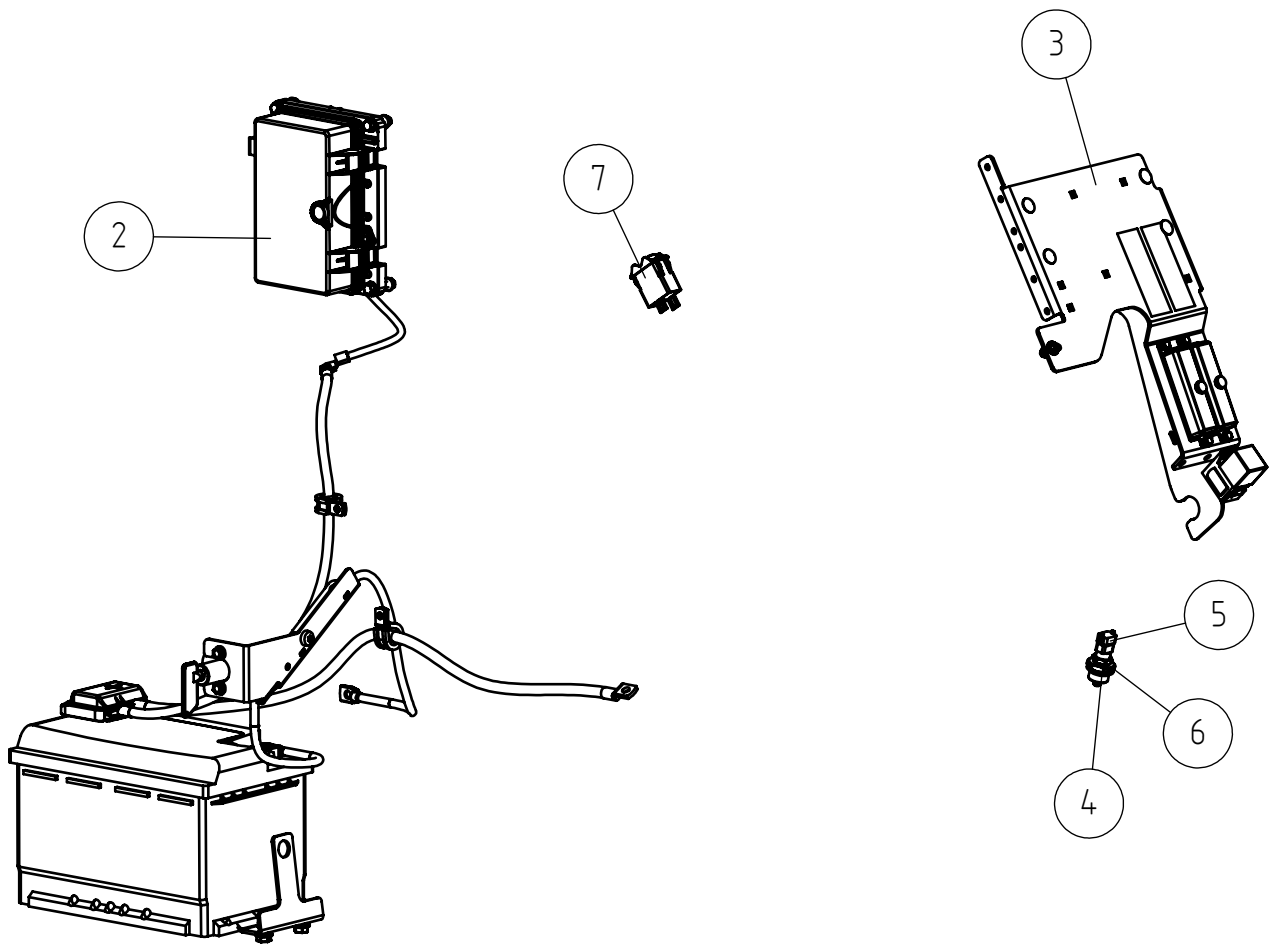


2.2.2024

A439987 INSTRUMENT PANEL WITH DECAL 700 / 800

REF	PART NO	QTY	DESCRIPTION	NOTES	PAGE
1	A437343	1	ROCKER SWITCH OPTICONTROL		-
2	A430996	1	CONTROL SWITCH, HYDR ATTACHMENT COUPLING		-
3	65065	1	SWITCH, BEACON		-
4	65064	1	SWITCH, WARNING BLINKER		-
5	65063	1	SWITCH, WIPER/WASHER		-
6	65066	1	SWITCH, WORK LIGHT		-
7	65216	1	SWITCH, PARKING BRAKE		-
8	A442040	1	SWITCH PARKING BRAKE		-
9	A437190	1	SWITCH SMOOTH DRIVE		-
10	66422	1	SWITCH SLOW-FAST (TURTLE-RABBIT)		-
11	65246	1	SWITCH, DRIVE SPEED AREA (TURTLE-RABBIT)		-
12	A431454	1	PANEL 800 SERIES		-
13	A436386	1	DECAL INSTRUMENT PANEL 800 SERIES		-
14	A436424	1	OUTLET 12V/20A WITH COVER		-
15	74768	3	WASHER CONICAL M6		-
16	75162	3	CROSS HEAD COUNTERS SCREW M6*12		-

A460604 ELECTRIC COMPONENTS 735/745/750

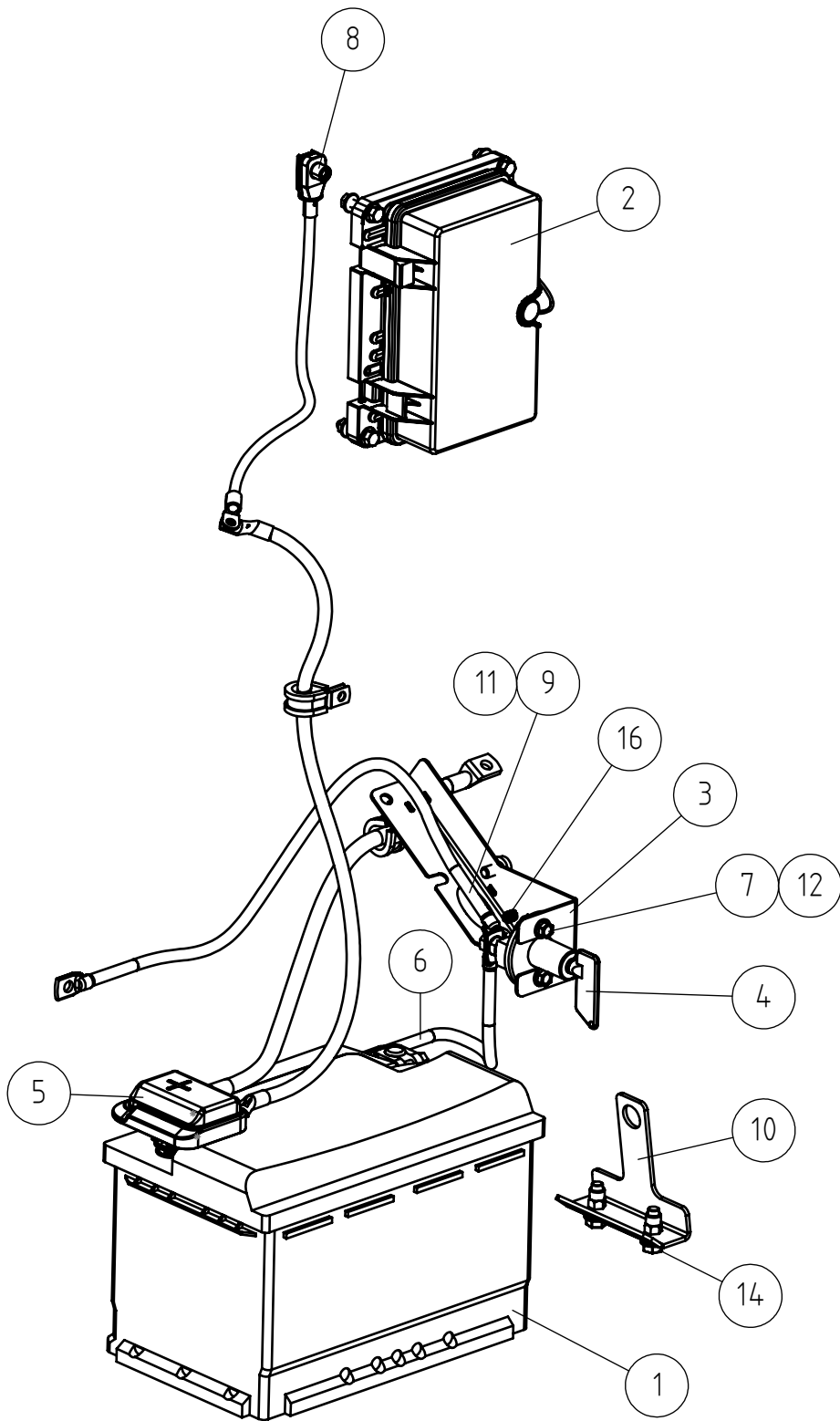


2.2.2024

A460604 ELECTRIC COMPONENTS 735/745/750

REF	PART NO	QTY	DESCRIPTION	NOTES	PAGE
1	A455777	1	WIRE HARNESS MAIN 528-755I, 850		-
2	A460853	1	POWER SUPPLY ASSEMBLY 735-850 KUBOTA		96
3	A453565	1	VECU & FUSE BOXES ON MOUNTING BRACKET		98
4	73047	1	USIT SEAL RING R/12"		-
5	A433798	1	TEMPERATURE SENSOR TF-W		-
6	A438517	1	FITTING G1/2" => M12*1,5		-
7	A442040	1	SWITCH PARKING BRAKE		-

A460853 POWER SUPPLY ASSEMBLY 735-850 KUBOTA



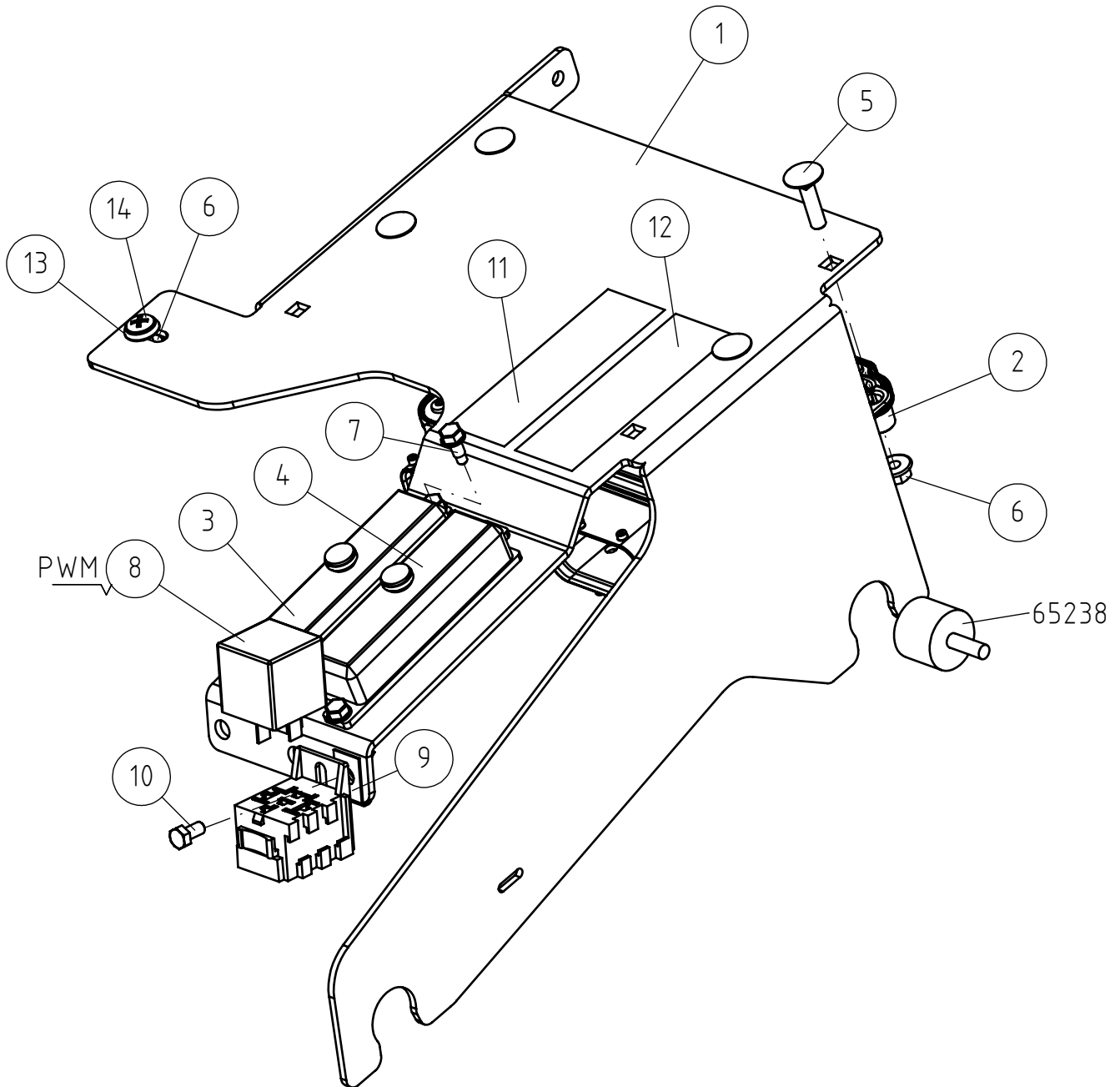
2.2.2024

A460853 POWER SUPPLY ASSEMBLY 735-850 KUBOTA

REF	PART NO	QTY	DESCRIPTION	NOTES	PAGE
1	A438875	1	BATTERY 12V 77AH, 760A		-
2	A446183	1	POWER DISTRIBUTION UNIT MEDIUM+ KUBOTA		-
3	A460618	1	MOUNTING BRACKET BATTERY DISCONNECT		-
4	64141	1	BATTERY DISCONNECT SWITCH 28V/100A		-
4.1	64394	1	KEY, BATTERY DISCONNECT SWITCH C-180216		-
5	A456490	1	BATTERY TERMINAL WITH 2 WIRES + FUSE		-
6	65071	1	CABLE, BATTERY, BLACK, L=280		-
7	A431349	2	HEXAGONAL SERRATED SCREW M6*20 W. FLANG		-
8	A457080	1	CABLE L=400 25MM2 RED		-
9	A420907	1	BATTERY CABLE, BLACK, L=650		-
10	A437653	1	BRACKET, BATTERY 700-800 SER		-
11	A442270	2	THREAD-FORMING SCREW M8*16 DIN 7500C		-
12	A452923	6	HEXAGONAL NUT M6 DIN 6923		-
13	A453043	4	HEXAGONAL SCREW M6X30 DIN 6921		-
14	A429202	2	HEXAGONAL SERRATED SCREW M8*25 WITH FLAN		-
15	74572	2	PIPE CLAMP F19 MM		-
16	A461103	1	CABLE TIE 4,6*165 BLACK		-

2.2.2024

A453565 VECU & FUSE BOXES ON MOUNTING BRACKET

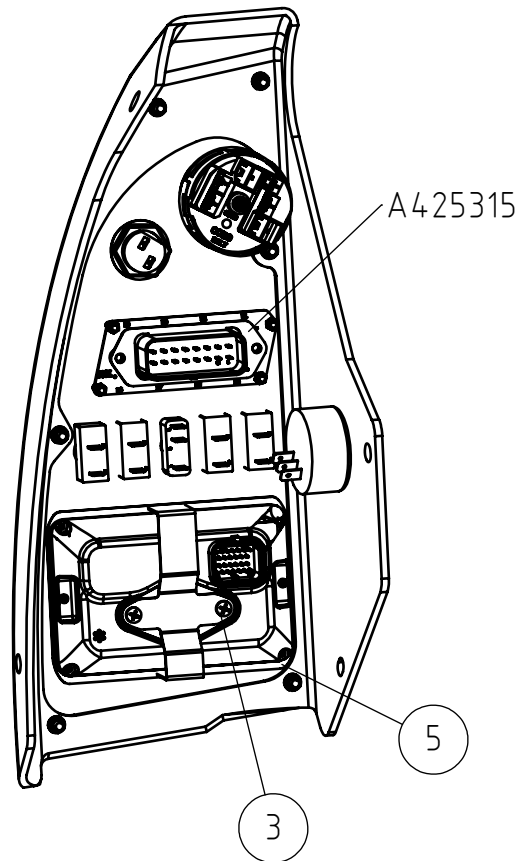
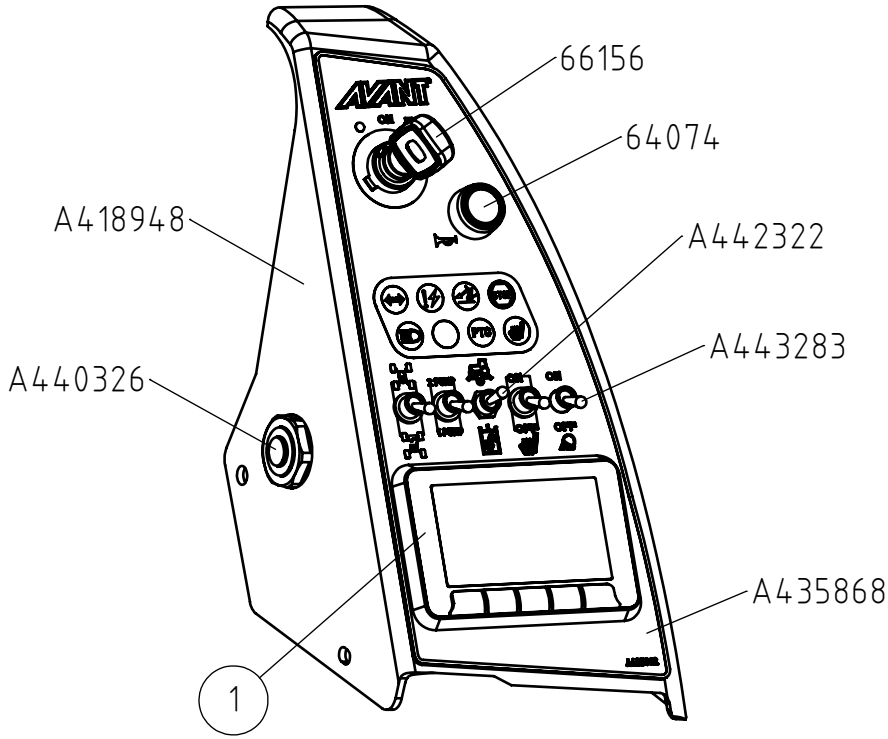


2.2.2024

A453565 VECU & FUSE BOXES ON MOUNTING BRACKET

REF	PART NO	QTY	DESCRIPTION	NOTES	PAGE
1	A452909	1	MOUNTING BRACKET VECU / FUSE BOXES		-
2	A433527	1	ELECTRONIC CONTROL UNIT ECU		-
3	A442064	1	FUSE BOX 1 ASSEMBLY 700/800 SERIES		-
4	A442243	1	FUSE BOX 2 ASSEMBLY 700/800 SERIES		-
5	75167	4	CARRIAGE BOLT M6*25 DIN603		-
6	A452923	5	HEXAGONAL NUT M6 DIN 6923		-
7	A451996	4	SELF-DRILLING SCREW 4,8*13 DIN 7504-K		-
8	A439100	1	RELAY SOLID STATE 15A		-
9	75172	1	SPEED NUT M5 FOR 0.5-4.0 MM PLATE		-
10	75160	1	HEXAGONAL SCREW M5*10 DIN 933		-
11	A438877	1	DECAL FUSE BOX 1 700/800 SERIES		-
12	A438879	1	DECAL FUSE BOX 2 700/800 SERIES		-
13	74768	1	WASHER CONICAL M6		-
14	74767	1	RAISED COUNTERSUNK HEAD SCREW M6*20		-

A435860 DASHBOARD ASSEMBLY 700-800 ROPS



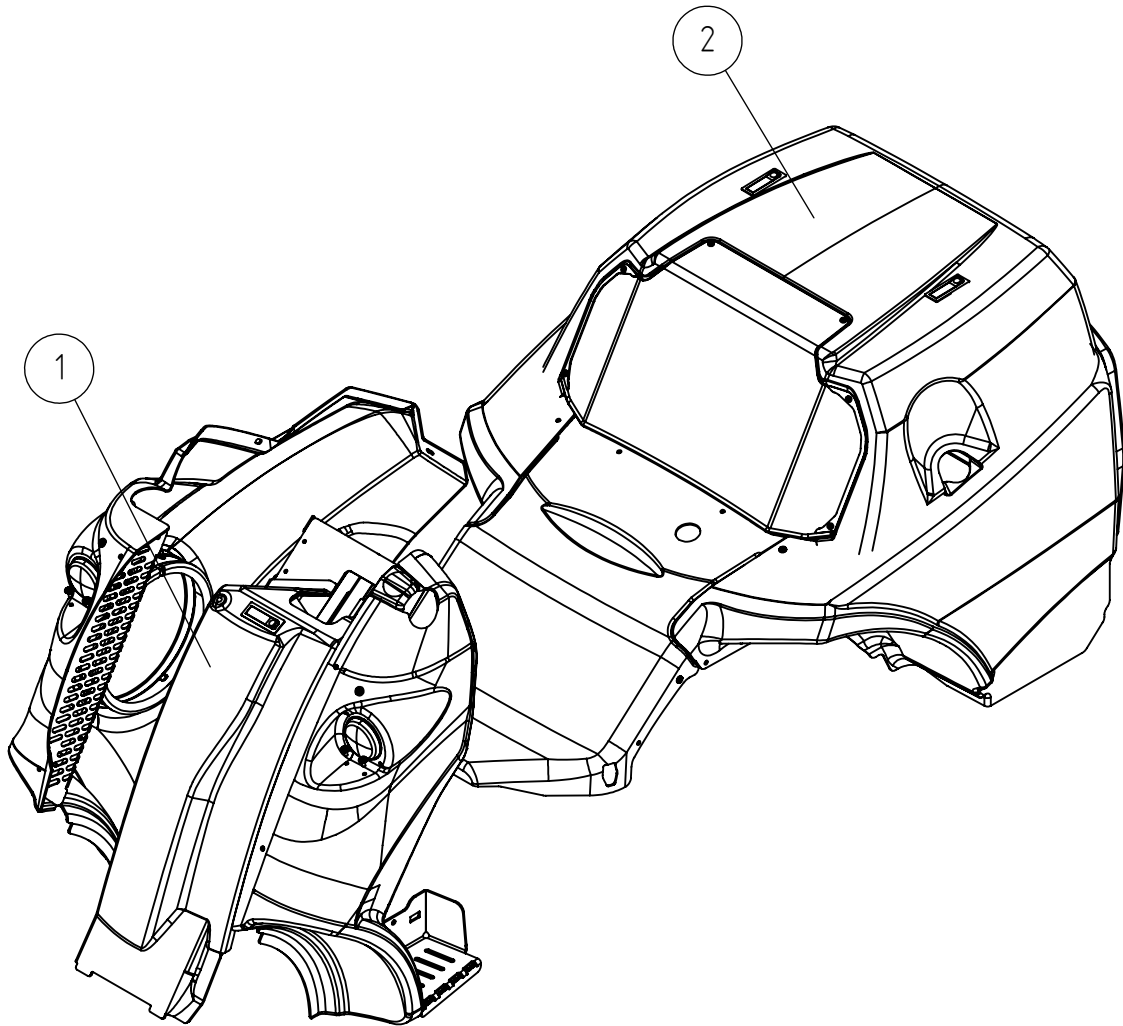
2.2.2024

A435860 DASHBOARD ASSEMBLY 700-800 ROPS

REF	PART NO	QTY	DESCRIPTION	NOTES	PAGE
1	A428466	1	DISPLAY 4,3" COLOUR LED		-
2	A456497	1	DASHBOARD WITHOUT DISPLAY 523...8601		-
2.1	A436098	1	WIRE HARNESS DASHBOARD		-
2.2	A425315	1	INDICATOR LIGHTS DASHBOARD		-
2.3	A440326	1	ALARM BEEPER D28,5/D45 -H47		-
2.4	A418948	1	HOUSING PANEL ABS DASHBOARD		-
2.5	66156	1	IGNITION SWITCH 12V/30A/60A IP65 COBO		-
2.6	A442322	1	ROCKER SWITCH ON-OFF-MOM 3-POLE		-
2.7	A443283	4	TOGGLE SWITCH ON-OFF 2-POLE		-
2.8	64074	1	PUSH BUTTON F22,5 SIGNAL HORN		-
2.9	A435868	1	COVER DASHBOARD 700-800 STAGE 5		-
3	A431502	2	PAN HEAD MACHINE SCREW M4*8		-
4	A423587	1	MOUNTING PLATE DISPLAY		-
5	A436780	1	GROUNDING FRAME CANVIEW4 GAUGE PANEL		-

2.2.2024

A451115 COVER PLATES KIT, ABS 700 SERIES ROPS



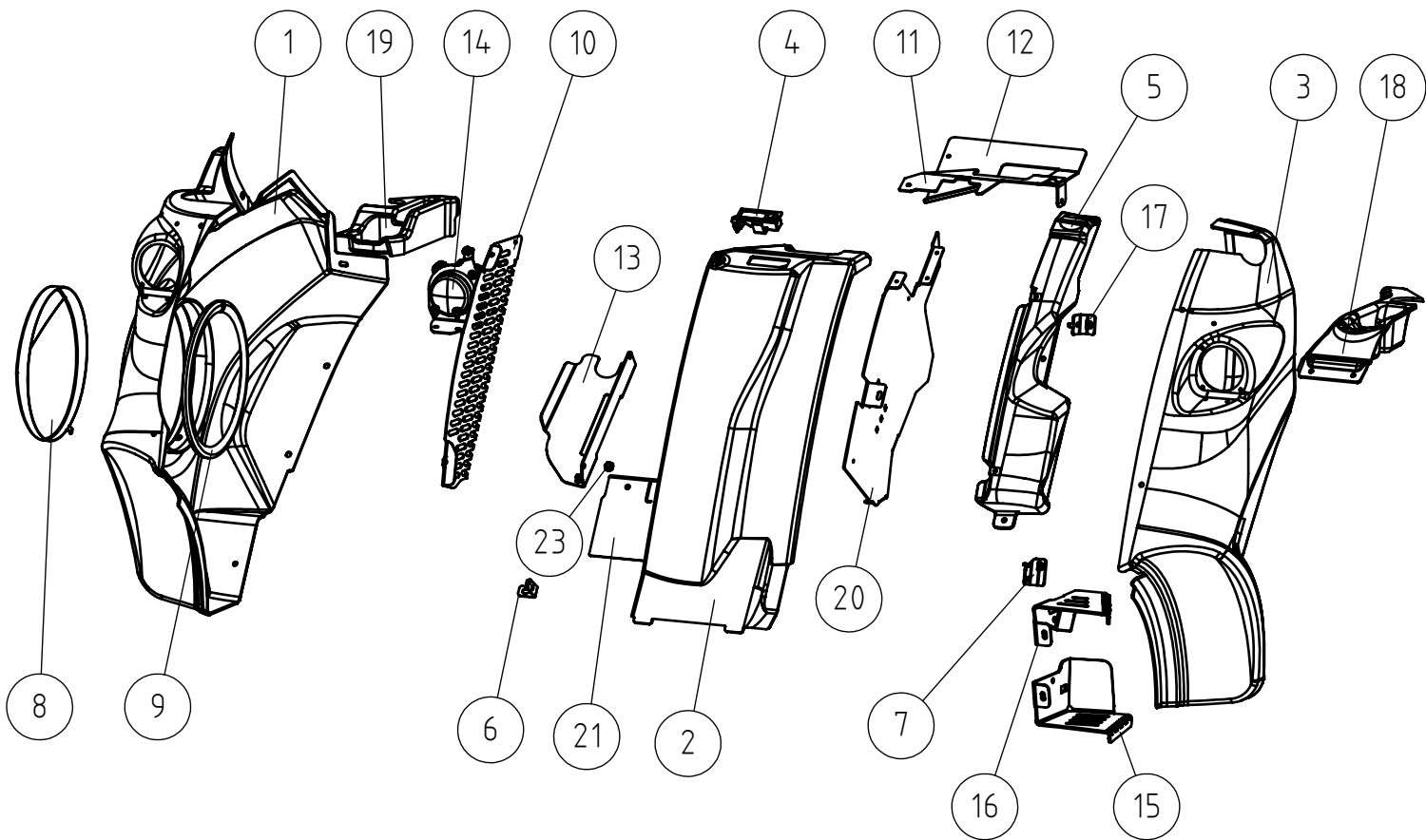
2.2.2024

A451115 COVER PLATES KIT, ABS 700 SERIES ROPS

REF	PART NO	QTY	DESCRIPTION	NOTES	PAGE
1	A446265	1	COVER PLATES FRONT FRAME ABS 500-700		104
2	A442266	1	COVER PLATES ABS, KIT, REAR FRAME		108

2.2.2024

A446265 COVER PLATES FRONT FRAME ABS 500-700



2.2.2024

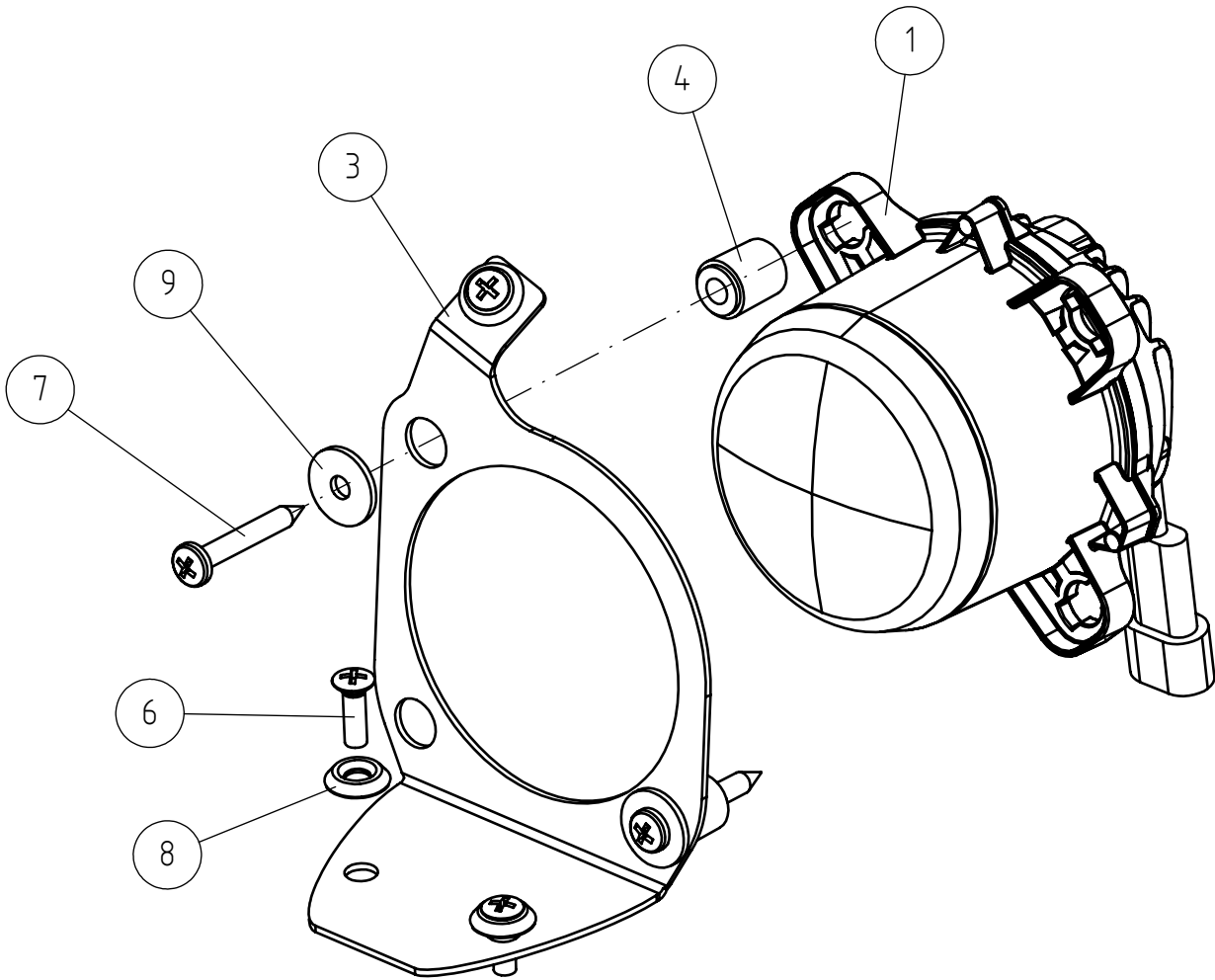
A446265 COVER PLATES FRONT FRAME ABS 500-700

REF	PART NO	QTY	DESCRIPTION	NOTES	PAGE
1	A446215	1	COVER PLATE FRONT RIGHT ABS 500-700		-
2	A445993	1	COVER PLATE FRONT ABS ROPS / GT 500-700		-
3	A446305	1	COVER PLATE FRONT LEFT ABS 500-700		-
4	65085	1	LATCH		-
5	A446048	1	MOUNTING BRACKET COVER PLATE FRONT LEFT		-
6	A446422	1	MOUNTING BRACKET SHORT COVER PLATE		-
7	A450748	1	MOUNTING BRACKET LEFT COVER PLATE		-
8	A431524	1	MESH HYDRAULIC OIL COOLER		-
9	A438435	1	EDGE BANDING, FAN 800 SERIES		-
10	A446221	1	MOUNTING BRACKET COVER PLATE FRONT RIGHT		-
11	A450610	1	MOUNTING BRACKET COVER PLATE FRONT		-
12	A445628	1	MOUNTING BRACKET COVER PLATE FRONT		-
13	A454142	1	MOUNTING BRACKET COVER PLATE FRONT RIGHT		-
14	A450770	1	WORK LIGHTS LED ON FRONT COVERS ASSEMBLY		106
15	A450071	1	STEP, MACHINE WITH ROPS		-
16	A450093	1	STEP, MACHINE WITH ROPS		-
17	A451440	1	MOUNTING BRACKET LEFT COVER PLATE		-
18	A434360	1	CUP HOLDER, LEFT		-
19	A431510	1	CUP HOLDER, RIGHT		-
20	A452905	1	SIDE PLATE		-
21	A452862	1	COVER PLATE DRIVE PEDALS AND ORBITROL		-
22	75069	2	COUPLING NUT M8 DIN 6334		-
23	A429197	2	HEXAGONAL SERRATED SCREW M8*12 W. FLANGE		-

104/232

2.2.2024

A450770 WORK LIGHTS LED ON FRONT COVERS ASSEMBLY



105/232

2.2.2024

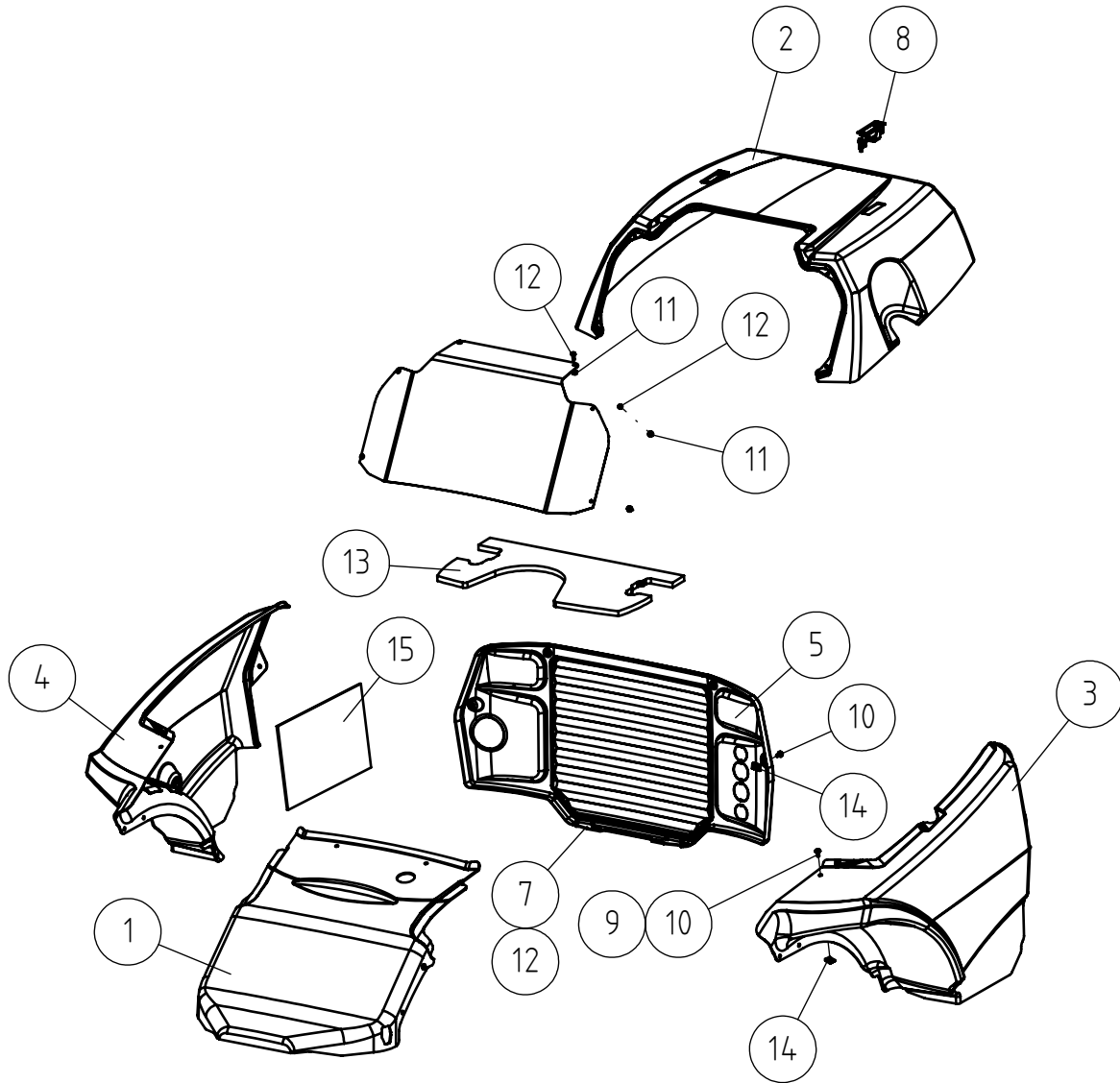
A450770 WORK LIGHTS LED ON FRONT COVERS ASSEMBLY

REF	PART NO	QTY	DESCRIPTION	NOTES	PAGE
1	A441777	2	WORK LIGHT LED 1000 LUMEN 12V		-
2	A450528	1	MOUNTING BRACKET RIGHT WORK LIGHT LED		-
3	A450553	1	MOUNTING BRACKET LEFT WORK LIGHT LED		-
4	A450763	4	BUSHING FRONT LIGHT		-
5	A436960	1	WIRE HARNESS WORK LIGHTS FRONT		-
6	74767	6	RAISED COUNTERSUNK HEAD SCREW M6*20		-
7	A461980	4	SCREW 6X45		-
8	A422221	6	WASHER M6 GREEN PLASTIC, ANALOG FOR		-
9	71681	4	WASHER M6 DIN 440		-

106/232

2.2.2024

A442266 COVER PLATES ABS, KIT, REAR FRAME



2.2.2024

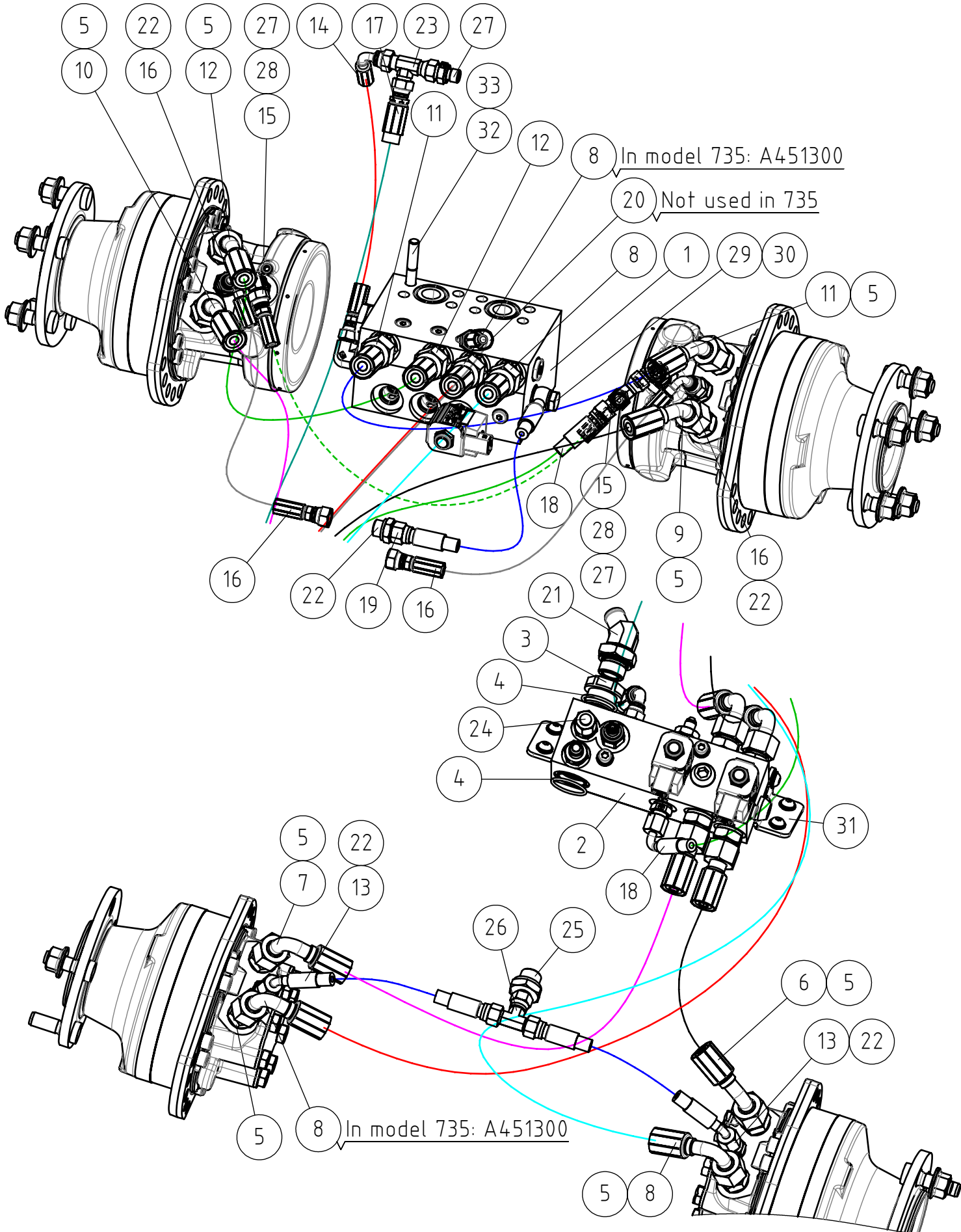
A442266 COVER PLATES ABS, KIT, REAR FRAME

REF	PART NO	QTY	DESCRIPTION	NOTES	PAGE
1	A442264	1	COVER PLATE REAR CENTER FRONT ABS		-
2	A436436	1	COVER PLATE ENGINE, ABS, 800 STAGE V		-
3	A442294	1	COVER PLATE REAR LEFT ABS, 800 STAGE 5		-
4	A442263	1	COVER PLATE REAR RIGHT ABS, 800 STAGE 5		-
5	A437378	1	REAR GRILLE WITHOUT LIGHTS 700/800		-
6	A437107	1	FRONT MESH, COVER PLATE ENGINE 700/800		-
7	A446673	1	MOUNTING PLATE REAR GRILLE 700/800		-
8	65085	2	LATCH		-
9	74768	3	WASHER CONICAL M6		-
10	74767	3	RAISED COUNTERSUNK HEAD SCREW M6*20		-
11	74781	6	HEXAGONAL NUT M6 WITH FLANGE		-
12	A437544	10	THREAD-FORMING SCREW BLACK M6*16 DIN		-
13	A418781	1	SEALING PLATE		-
14	74807	3	SPEED NUT M6, FOR 0.5-4.0 MM PLATE		-
15	A439798	1	HEAT SHIELD ON REAR COVER PLATE 700/800		-

108/232

2.2.2024

A452920 HYDR. HOSES DRIVE, WITH ANTI SLIP 700



2.2.2024

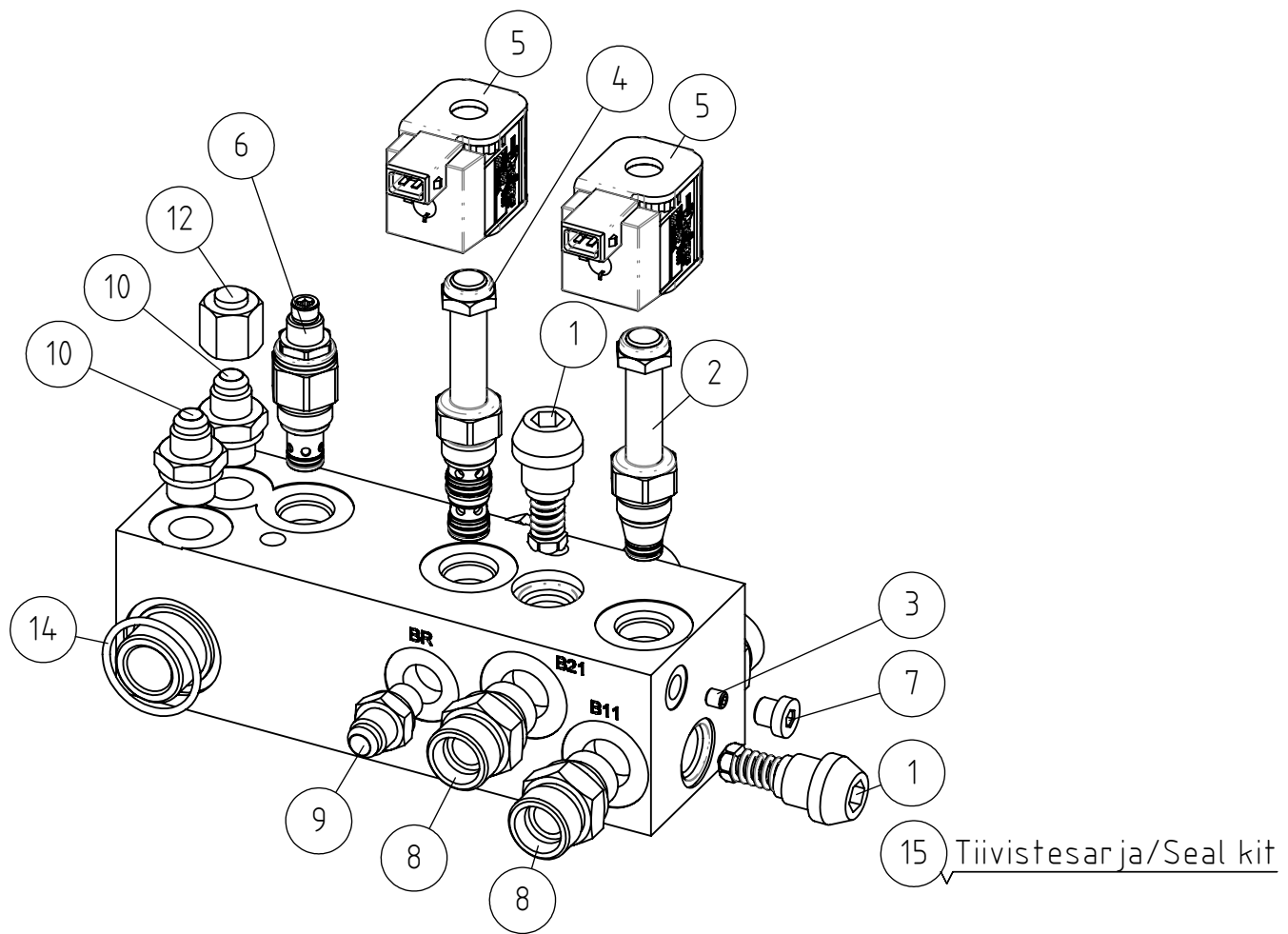
A452920 HYDR. HOSES DRIVE, WITH ANTI SLIP 700

REF	PART NO	QTY	DESCRIPTION	NOTES	PAGE
1	A451904	1	HYDRAULIC MANIFOLD ANTI SLIP VALVE		-
2	A454023	1	HYDRAULIC MANIFOLD 1-SPEED DRIVE RELEASE		112
3	A421825	1	BANJO BOLT, HYDR. MANIFOLD		-
4	75112	2	O-RING NBR F 32,99*2,62 90SH		-
5	A449892	8	BASIC FITTING G1/2" M24*1,5		-
6	A451297	1	HYDR. HOSE L=330		-
7	A451295	1	HYDR. HOSE L=630		-
8	A451425	2	HYDR. HOSE L=1800		-
9	A451428	1	HYDR. HOSE L=1270		-
10	A451426	1	HYDR. HOSE L=1330		-
11	A451303	1	HYDR. HOSE L=800		-
12	A451429	1	HYDR. HOSE L=670		-
13	A429297	2	HYDR. HOSE L=250		-
14	A410094	1	HYDR. HOSE L=350		-
15	A415127	1	HYDR. HOSE L=580		-
16	A410096	2	HYDR. HOSE L=450		-
17	A414045	1	HYDR. HOSE L=1300		-
18	A410092	1	HYDR. HOSE L=1550		-
19	A428736	1	HYDR. HOSE L=400		-
20	A434555	1	HYDR. HOSE L=2200		-
21	66361	1	HOSE BARB 45° R3/4"UK - 20MM		-
22	64041	5	BASIC FITTING F40XS10-3/8 /8		-
23	64078	2	L-FITTING BODY R6XS10		-
24	64232	1	FITTING HEAD FNTXS10		-
25	64040	1	BASIC FITTING F40XS10-1/2 /2		-
26	64070	1	T FITTING S6XS10		-
27	64059	3	BASIC FITTING F40XS10-1/4		-
28	64043	2	ELBOW FITTING 90° C6XS10		-
29	64557	1	BANJO BOLT R 1/4"		-
30	73757	2	USIT COMPRESSION R1/4"		-
31	A37332	1	MOUNTING PLATE HYDRAULIC MANIFOLD, ASSEM		-
32	A452931	8	HEXAGONAL HEAD SCREW M10*130 12.9		-
33	A434424	8	SAFETY WASHER M10 3/8"		-

110/232

2.2.2024

A454023 HYDRAULIC MANIFOLD 1-SPEED DRIVE RELEASE



HUOM!

Nimike A454023 sisältää

osat (1) - (12)

Tiivistesarja (15) sisältää

osien (1), (2), (4) ja (6)
tiivisteet

NOTE!

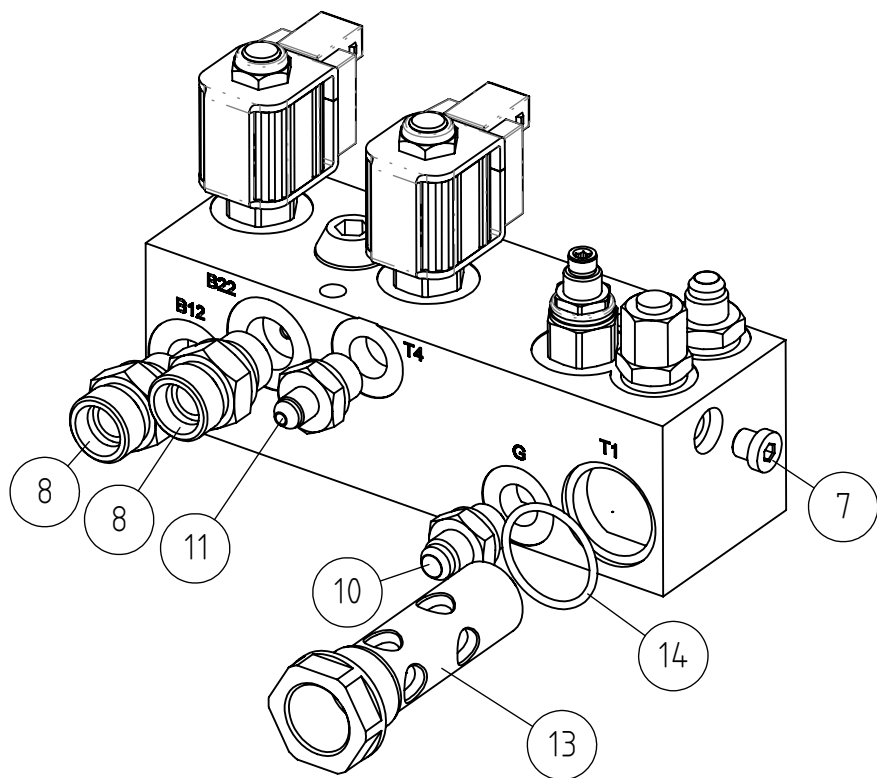
Item A454023 includes

parts (1) - (12)

Seal kit #error: broken link includes

seals for parts (1), (2), (4)

and (6)



2.2.2024

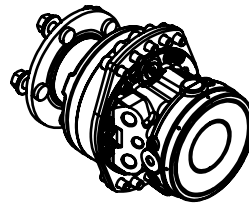
A454023 HYDRAULIC MANIFOLD 1-SPEED DRIVE RELEASE

REF	PART NO	QTY	DESCRIPTION	NOTES	PAGE
1	A428734	2	PRESSURE RELIEF VALVE CARTRIDGE 380BAR		-
2	A432309	1	VALVE CARTRIDGE DRIVE RELEASE OPTIDRIVE		-
3	A428738	1	FLOW RESTRICTOR M6/1,0MM		-
4	A428584	1	VALVE CARTRIDGE SPOOL VALVE 3/2		-
5	66452	2	SOLENOID 12VDC/19W		-
6	A428735	1	PRESSURE RELIEF VALVE CARTRIDGE 30BAR		-
7	64407	2	HEXAGONAL PLUG R 1/8" WITH PACKING		-
8	A449892	4	BASIC FITTING G1/2" M24*1,5		-
9	64059	1	BASIC FITTING F40XS10-1/4		-
10	64041	3	BASIC FITTING F40XS10-3/8 /8		-
11	64313	1	BASIC FITTING F40XS6-3/8"		-
12	64232	1	FITTING HEAD FNTXS10		-
13	A421825	1	BANJO BOLT, HYDR. MANIFOLD		-
14	75112	2	O-RING NBR F 32,99*2,62 90SH		-
15	A428793	1	SEAL KIT HYDRAULIC MANIFOLD A421616		-

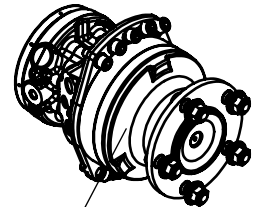
2.2.2024

A445009 HYDRAULIC MOTOR ASSEMBLY 398 CCM POCLAIN

OIKEA TAKAMOOTTORI
Right rear drivemotor

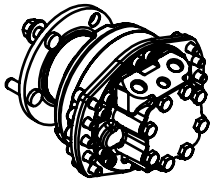


VASEN TAKAMOOTTORI
Left rear drivemotor

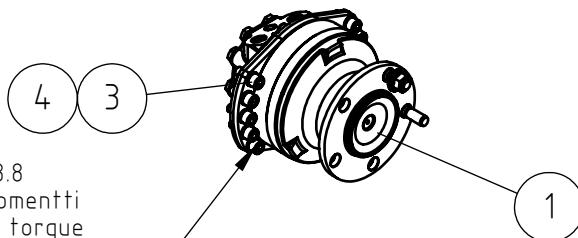


2

OIKEA ETUMOOTTORI
Right front drivemotor



VASEN ETUMOOTTORI
Left front drivemotor



M12 8.8
Kiristysmomentti
Tightening torque
91Nm
Kierrelukite
Threadlocking compound

2.2.2024

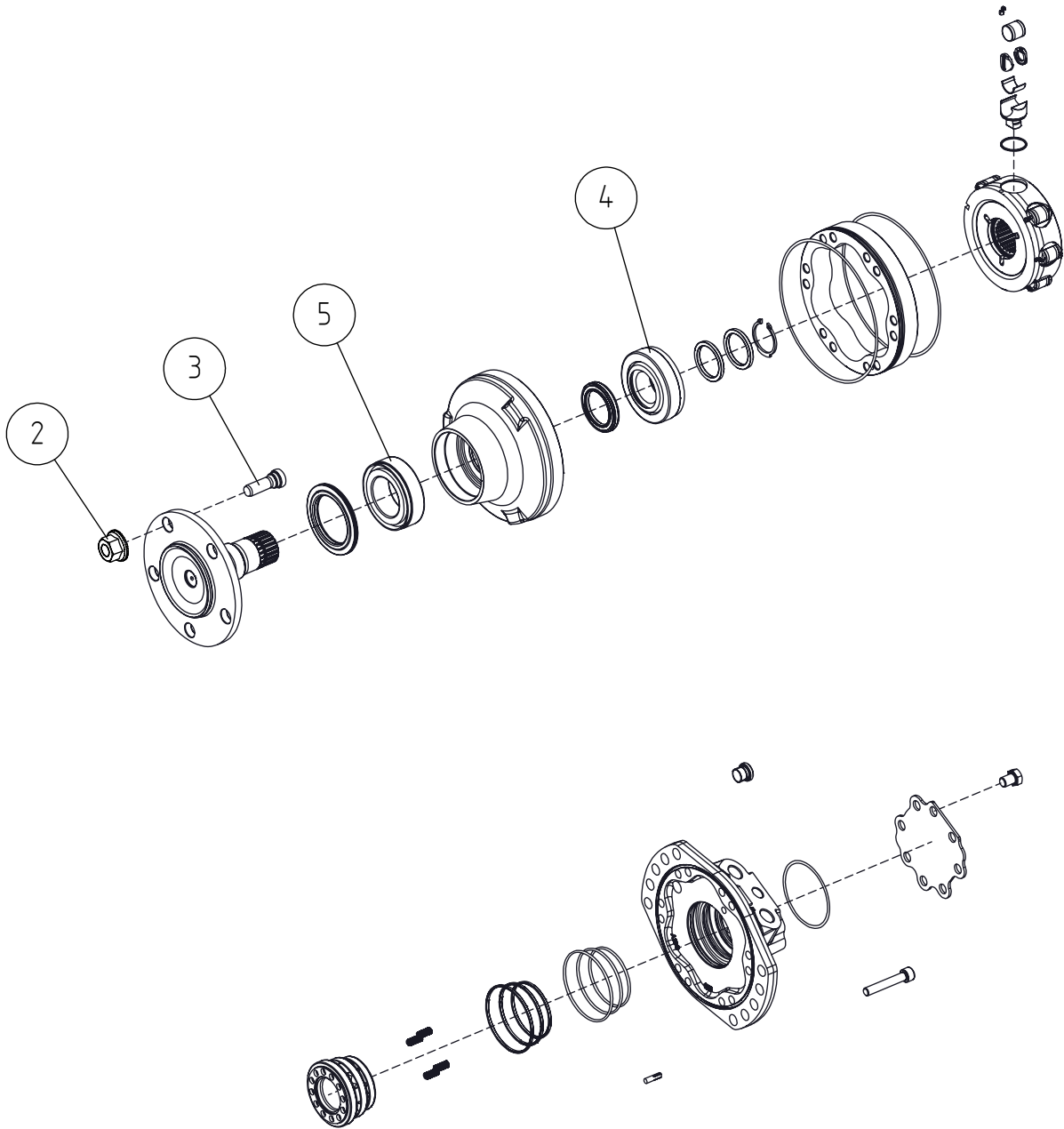
A445009 HYDRAULIC MOTOR ASSEMBLY 398 CCM POCLAIN

REF	PART NO	QTY	DESCRIPTION	NOTES	PAGE
1	65670	2	HYDRAULIC MOTOR MSE02 398CCM		116
2	65671	2	HYDRAULIC MOTOR B MSE02 398CCM W. BRAKE		118
3	74846	40	HEXAGONAL HEAD SCREW M12*30 DIN912		-
4	74532	40	WASHER NORDLOCK NL12		-

114/232

2.2.2024

65670 HYDRAULIC MOTOR MSE02 398CCM



2.2.2024

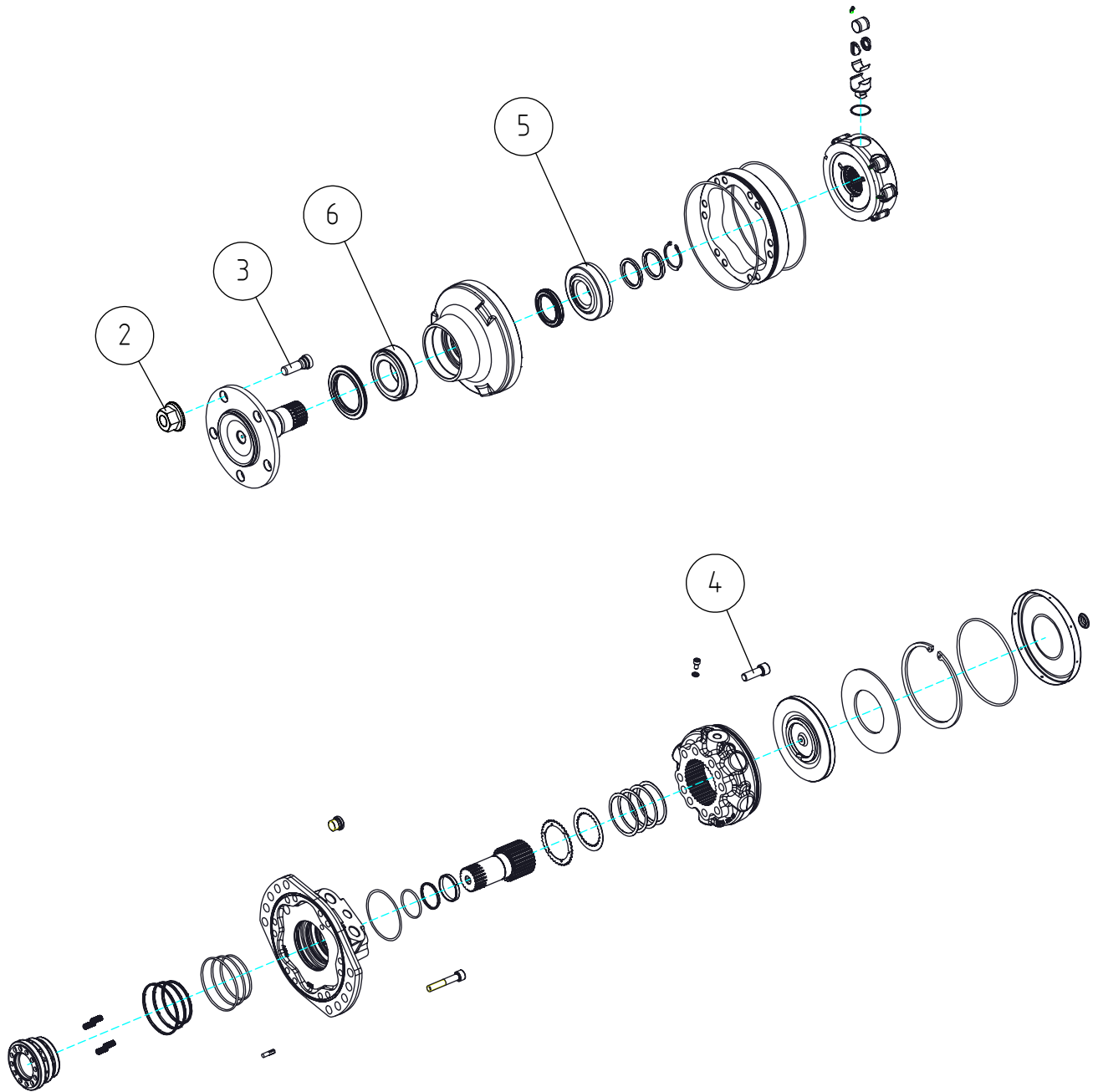
65670 HYDRAULIC MOTOR MSE02 398CCM

REF	PART NO	QTY	DESCRIPTION	NOTES	PAGE
1	65670	1	HYDRAULIC MOTOR MSE02 398CCM		116
2	74866	1	WHEEL NUT M14*1.5 AV22 POCLAIN		-
3	75143	1	WHEEL BOLT M14*1.5-45 12.9 POCLAIN		-
4	A452731	1	CONICAL ROLLER BEARING 31308-C1 POCLAIN		-
5	A452732	1	CONICAL ROLLER BEARING 33110-C1 POCLAIN		-
6	A448105	1	SEAL KIT COMPLETE POCLAIN HYDR. MOTOR		-
7	A448120	1	SEAL KIT POCLAIN REPAIR KIT HYDR. MOTOR		-
8	A448122	1	SEAL KIT POCLAIN OPENING KIT HYDR. MOTOR		-

116/232

2.2.2024

65671 HYDRAULIC MOTOR B MSE02 398CCM W. BRAKE

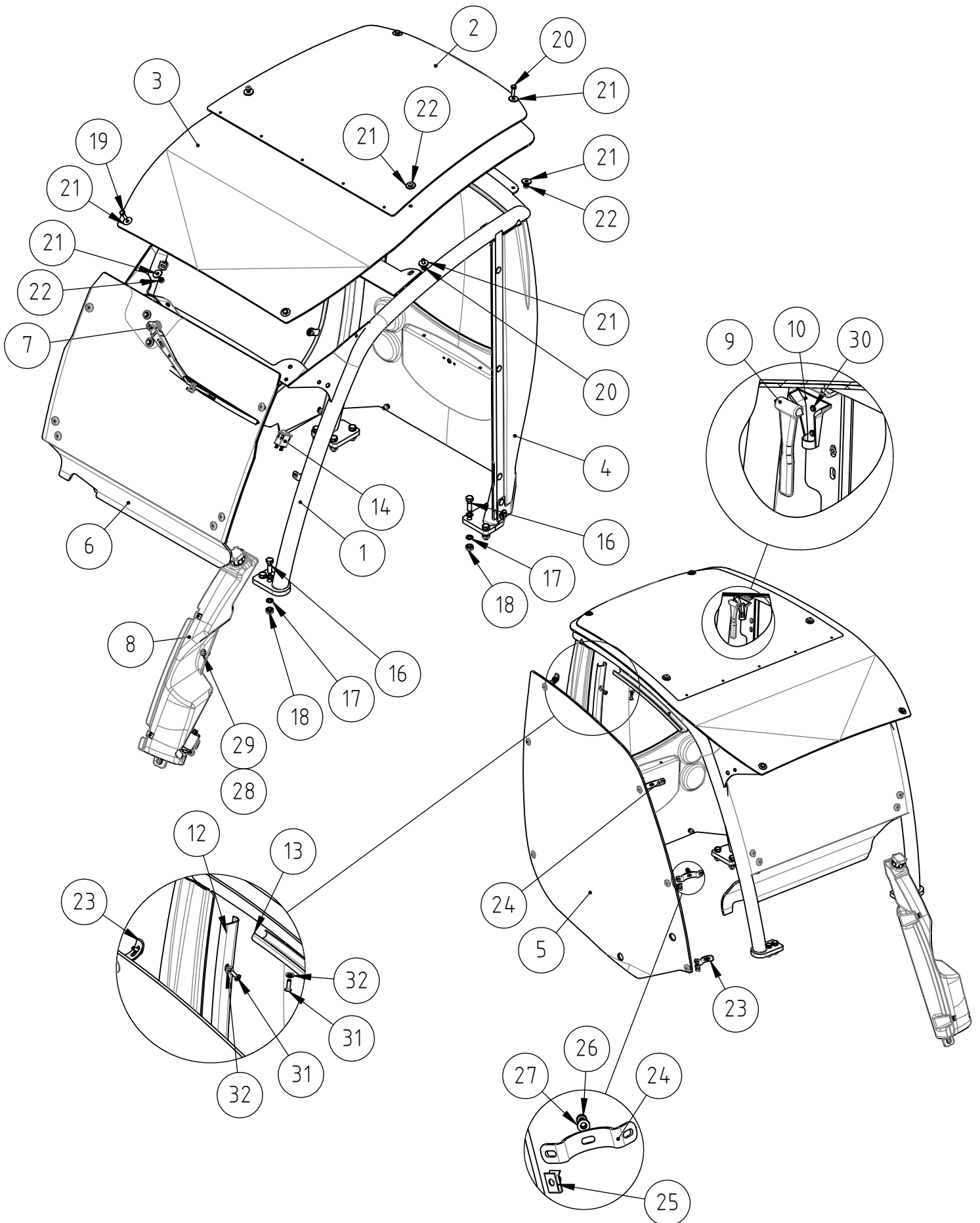


2.2.2024

65671 HYDRAULIC MOTOR B MSE02 398CCM W. BRAKE

REF	PART NO	QTY	DESCRIPTION	NOTES	PAGE
1	65671	1	HYDRAULIC MOTOR B MSE02 398CCM W. BRAKE		118
2	74866	1	WHEEL NUT M14*1.5 AV22 POCLAIN		-
3	75143	1	WHEEL BOLT M14*1.5-45 12.9 POCLAIN		-
4	A449527	1	HEXAGONAL HEAD SCREW M10*40 12.9 DIN 912		-
5	A452731	1	CONICAL ROLLER BEARING 31308-C1 POCLAIN		-
6	A452732	1	CONICAL ROLLER BEARING 33110-C1 POCLAIN		-
7	A448123	1	SEAL KIT COMPLETE POCLAIN HYDR. MOTOR		-
8	A448120	1	SEAL KIT POCLAIN REPAIR KIT HYDR. MOTOR		-
9	A448122	1	SEAL KIT POCLAIN OPENING KIT HYDR. MOTOR		-

A449937 CAB L



2.2.2024

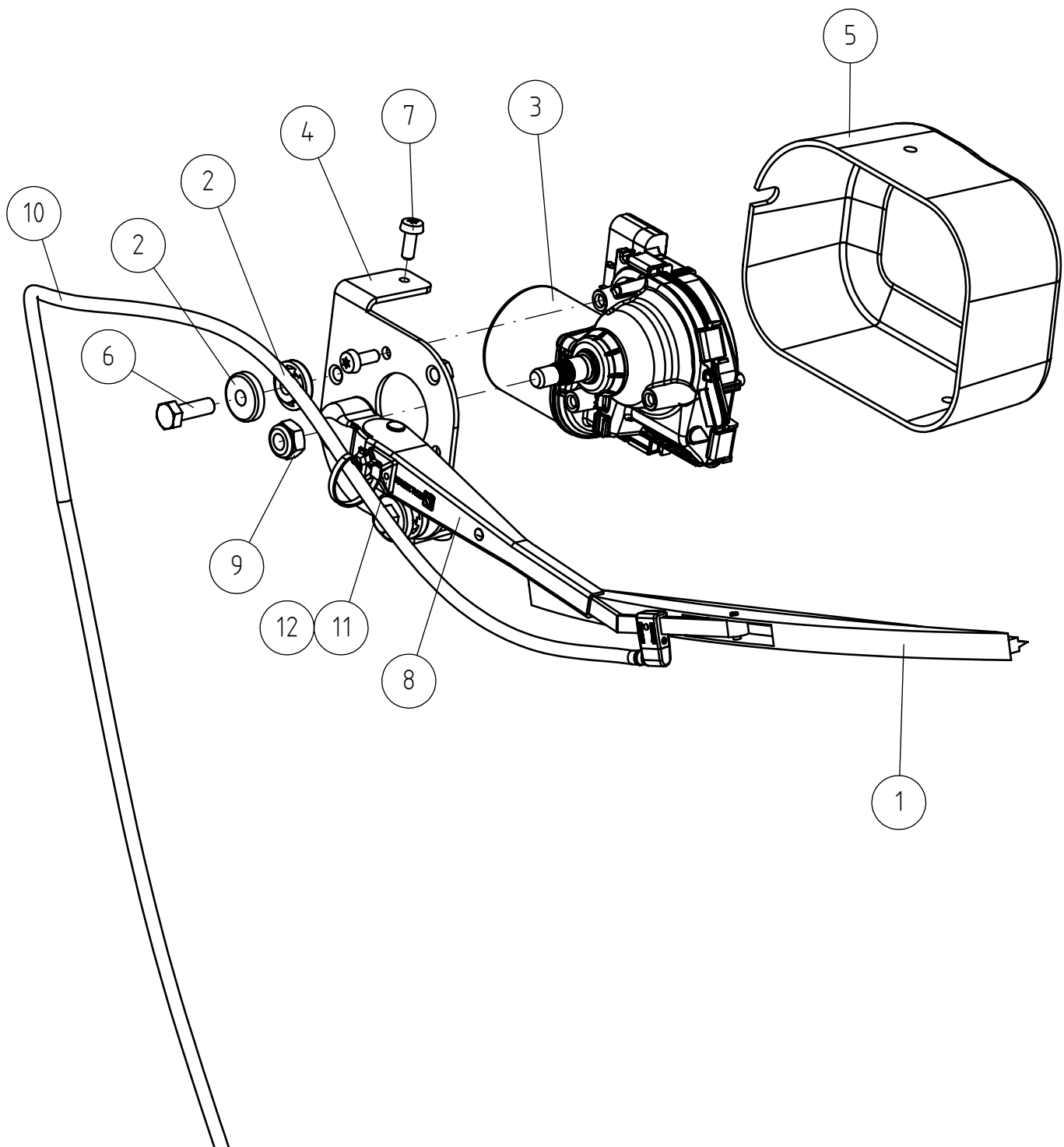
A449937 CAB L

REF	PART NO	QTY	DESCRIPTION	NOTES	PAGE
1	A33920	1	ROPS FRAME 1090 MM 600/700 SERIES		-
2	A48905	1	FOPS CANOPY PLATE 500/600/700		-
3	A410091	1	CANOPY, POLYCARBONATE		-
4	A49446	1	REAR WALL WITH WINDOW 500/600/700/R/E		-
5	A49451	1	WINDOW, RIGHT, COMPLETE, CAB L 500-700		-
6	A443961	1	WINDSCREEN ASSEMBLY CAB L 500/600/700/E		-
7	A443979	1	WINDSCREEN WIPER ASSEMBLY CAB L 523-7601		122
8	A446010	1	TANK ASSEMBLY WINDSCREEN WASHER		124
9	64986	1	EMERGENCY HAMMER HAPPICH RED		-
10	A432729	1	BRACKET, EMERGENCY HAMMER 64986		-
11	A411021	1	DECAL "EMERGENCY EXIT"		-
12	A49080	1	COVER STRIP, SIDE		-
13	A49079	1	COVER STRIP, MIDDLE		-
14	65063	1	SWITCH, WIPER/WASHER		-
15	A441037	1	WIRE HARNESS CAB L AVANT 700-800		-
16	73322	10	HEXAGONAL SCREW M12*40 DIN 931		-
17	74532	20	WASHER NORDLOCK NL12		-
18	72324	10	HEXAGONAL NUT M 12 NYLOC DIN 985		-
19	72132	2	HEXAGONAL SCREW M 8*25 DIN 933 ZN		-
20	72133	4	HEXAGONAL SCREW M8*30 DIN 933		-
21	71685	12	WASHER M8 R9 DIN 440 ZN		-
22	72320	6	HEXAGONAL NUT M8 NYLOC DIN 985		-
23	A49699	4	MOUNTING BRACKET ONE SIDED		-
24	A49698	2	MOUNTING BRACKET TWO SIDED		-
25	75172	4	SPEED NUT M5 FOR 0.5-4.0 MM PLATE		-
26	73766	6	HEXAGONAL HEAD SCREW M6*16 DIN 912 2 8.8		-
27	71680	6	WASHER M6 DIN 125		-
28	A450046	2	HEXAGONAL NUT M8 WITH FLANGE		-
29	A429202	2	HEXAGONAL SERRATED SCREW M8*25 WITH FLAN		-
30	A429345	2	PAN HEAD MACHINE SCREW M4*10		-
31	74767	5	RAISED COUNTERSUNK HEAD SCREW M6*20		-
32	74768	5	WASHER CONICAL M6		-

120/232

2.2.2024

A443979 WINDSCREEN WIPER ASSEMBLY CAB L 523-760I



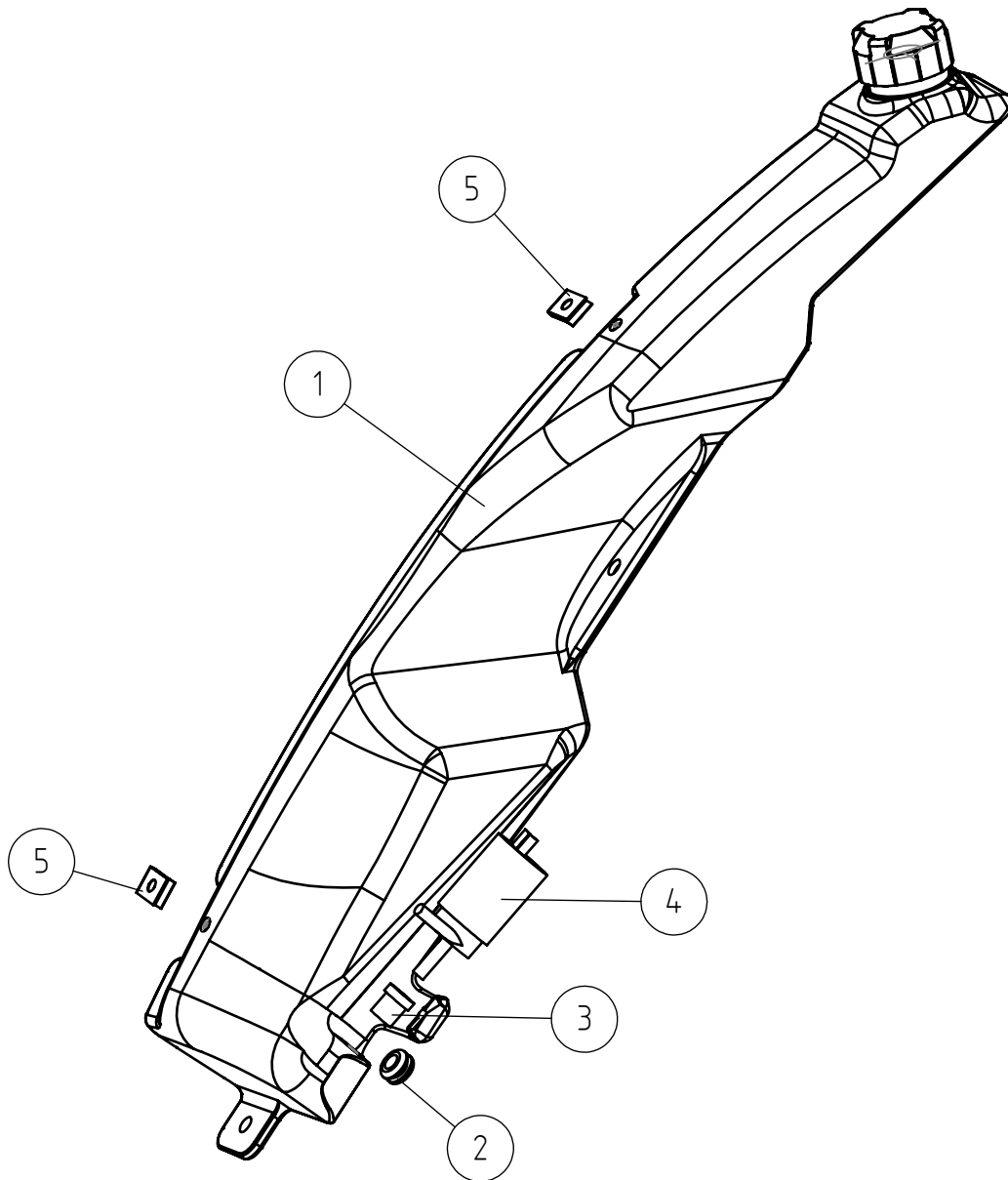
2.2.2024

A443979 WINDSCREEN WIPER ASSEMBLY CAB L 523-760I

REF	PART NO	QTY	DESCRIPTION	NOTES	PAGE
1	A440135	1	WIPER BLADE L=400MM		-
2	A441784	4	BUSHING PLASTIC D16,9/D8 - L8,1		-
3	A446829	1	ELECTRIC MOTOR PROGRAMMED WINDSCREEN		-
4	A440457	1	BRACKET MOTOR WINDSCREEN WIPER		-
5	A440716	1	COVER MOTOR WINDSCREEN WIPER		-
6	A427795	2	HEXAGONAL SCREW M8*25 DIN 933 8.8		-
7	A437544	4	THREAD-FORMING SCREW BLACK M6*16 DIN		-
8	A443799	1	ARM, WINDSCREEN WIPER M10 L=302 WITH		-
9	72322	1	HEXAGONAL NUT M 10 NYLOC DIN 985		-
10	A460684	1	HOSE WINDSCREEN WASHER CAB L		-
11	A455710	1	SOCKET ADHESIVE 19X19 CABLE TIE		-
12	A431459	1	CABLE TIE 3,6*281 BLACK		-

122/232

A446010 TANK ASSEMBLY WINDSCREEN WASHER



2.2.2024

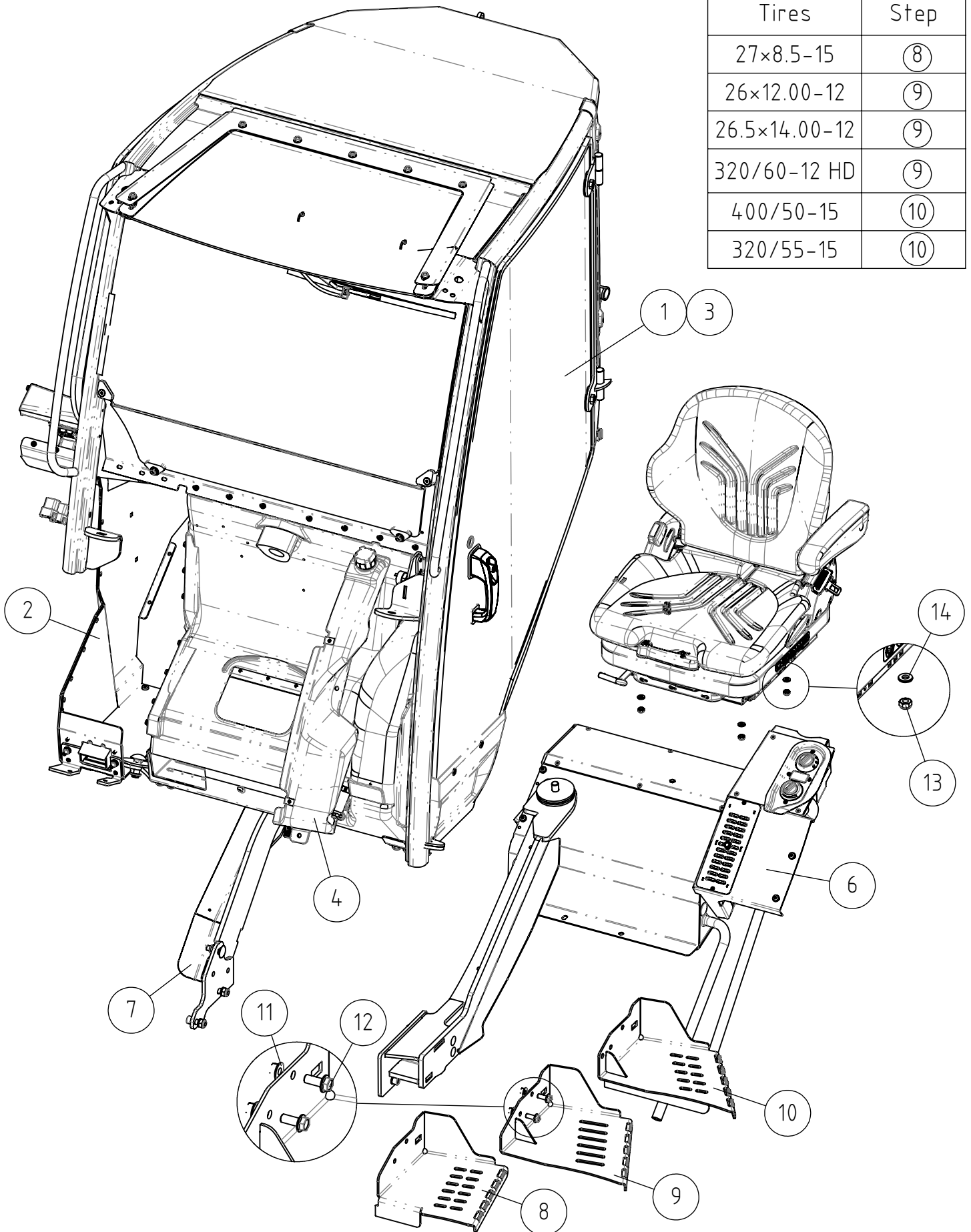
A446010 TANK ASSEMBLY WINDSCREEN WASHER

REF	PART NO	QTY	DESCRIPTION	NOTES	PAGE
1	A450244	1	TANK WITH CAP WINDSCREEN WASHER		-
2	64865	1	GROMMET F18/12/9,51-3		-
3	64991	1	GROMMET F18/14/6, H14/H5 ,2012306		-
4	65017	1	PUMP 12V, WINDSCREEN WASHER		-
5	74807	2	SPEED NUT M6, FOR 0.5-4.0 MM PLATE		-

124/232

A444539 CAB GT, 700 SERIES

Tires	Step
27×8.5-15	⑧
26×12.00-12	⑨
26.5×14.00-12	⑨
320/60-12 HD	⑨
400/50-15	⑩
320/55-15	⑩



2.2.2024

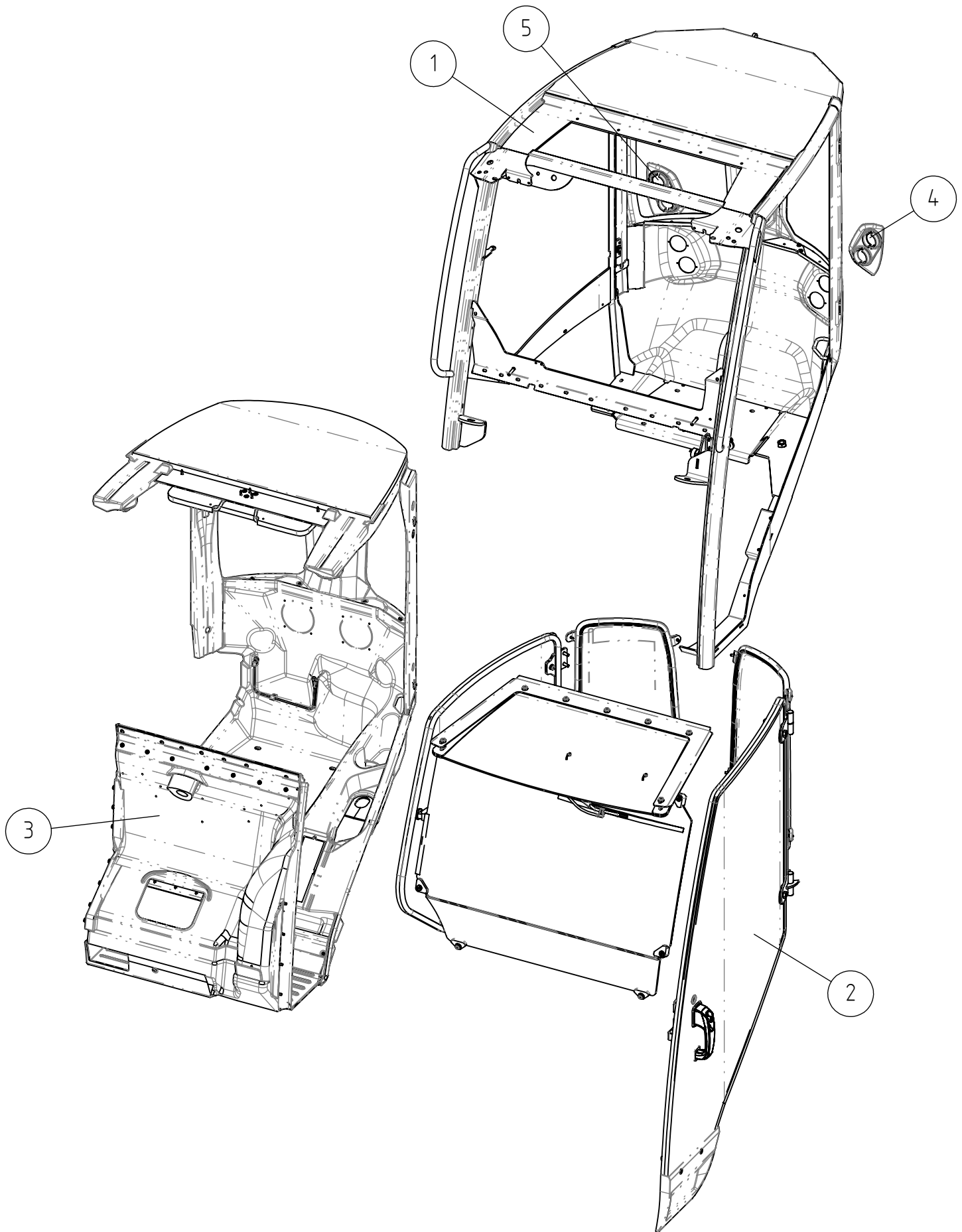
A444539 CAB GT, 700 SERIES

REF	PART NO	QTY	DESCRIPTION	NOTES	PAGE
1	A453487	1	BASIC PARTS CAB GT		128
2	A448127	1	CONTROLS ASSEMBLY CAB GT		168
3	A445920	1	WIRE HARNESS CAB GT TWIN FANS A/C		-
4	A446010	1	TANK ASSEMBLY WINDSCREEN WASHER		124
5	A449724	1	SEAT FULL SUSPENSION FABRIC HEATER MSG65		174
6	A438246	1	HEATER ASSEMBLY CAB GT		176
7	A442729	1	SUBFRAME CAB GT		178
8	A449935	1	STEP CAB GT 27X8.50-15 WHEELS		-
9	A451964	1			-
10	A451536	1	STEP CAB GT		-
11	A453082	2	HEXAGONAL NUT M10 DIN 6923		-
12	A432195	2	HEXAGONAL SERRATED SCREW M10*25 W. FLANG		-
13	72320	4	HEXAGONAL NUT M8 NYLOC DIN 985		-
14	63944	4	WASHER, PAIR, NORD-LOCK M8		-

126/232

2.2.2024

A453487 BASIC PARTS CAB GT



2.2.2024

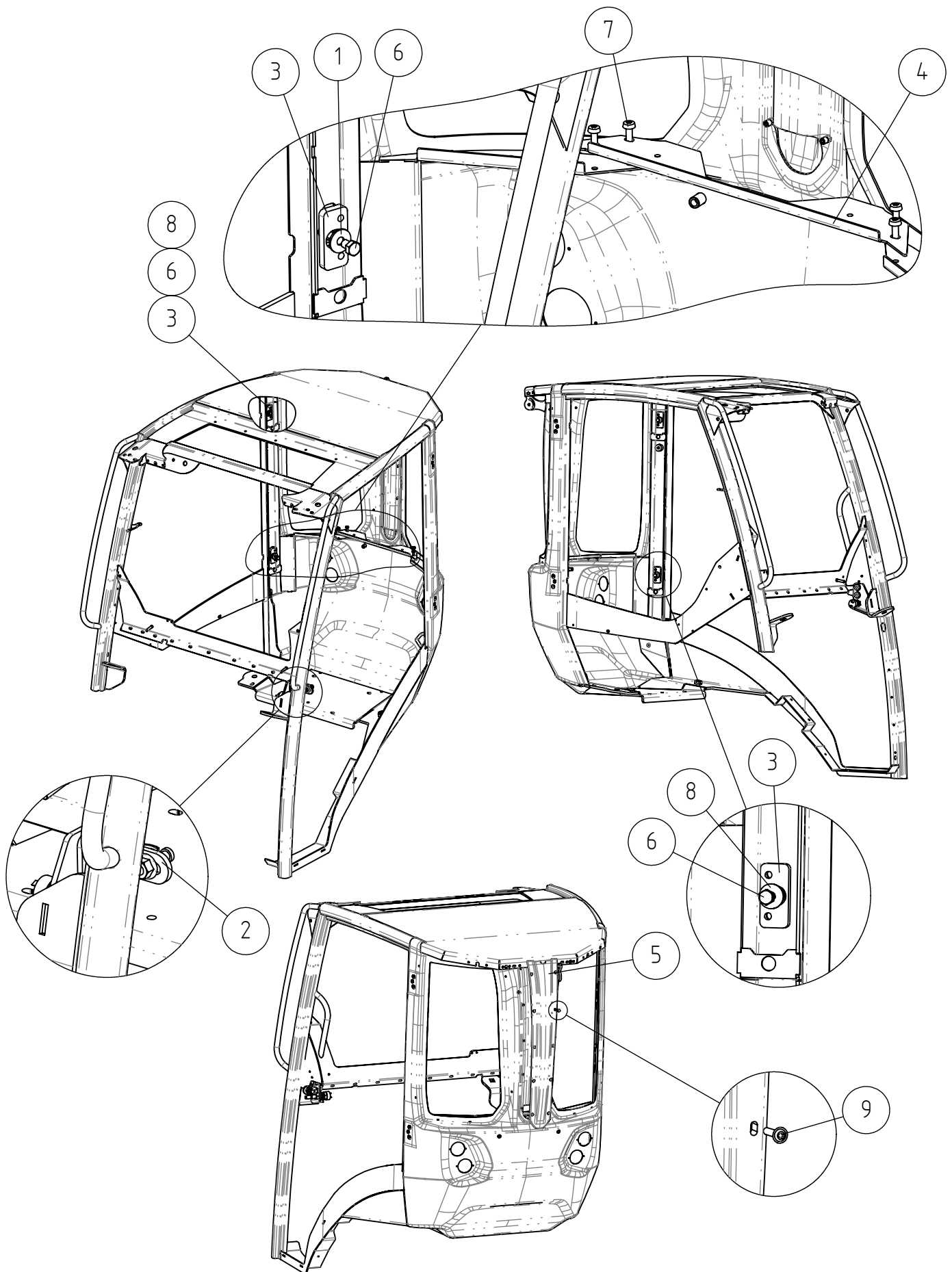
A453487 BASIC PARTS CAB GT

REF	PART NO	QTY	DESCRIPTION	NOTES	PAGE
1	A448117	1	FRAME CAB GT		130
2	A453483	1	DOOR AND WINDOWS ASSEMBLY CAB GT		134
3	A453489	1	UPHOLSTERY ASSEMBLY CAB GT		148
4	A438151	1	FRAME LEFT REAR LIGHTS CAB GT		-
5	A438155	1	FRAME RIGHT REAR LIGHTS CAB GT		-

128/232

2.2.2024

A448117 FRAME CAB GT



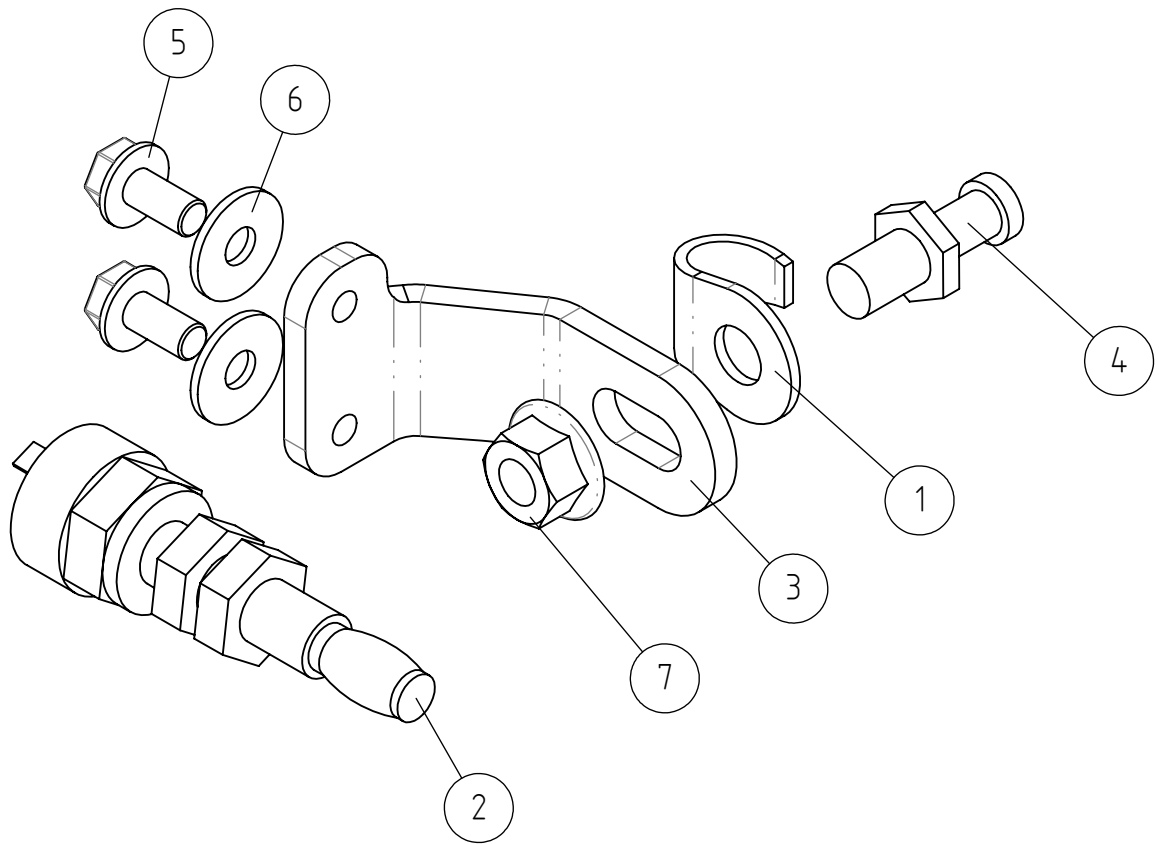
2.2.2024

A448117 FRAME CAB GT

REF	PART NO	QTY	DESCRIPTION	NOTES	PAGE
1	A448118	1	FRAME CAB GT		-
2	A438895	1	LATCH ASSEMBLY		132
3	A435904	4	SPACER PLATE DOOR CAB GT		-
4	A434179	1	MOUNTING BRACKET		-
5	A438890	1	COVER C-PILLAR ASSEMBLY CAB GT		-
6	72128	4	HEXAGONAL SCREW M 8*12 DIN 933 ZN		-
7	75129	4	THREAD-FORMING SCREW M6*16 DIN 7500C		-
8	A435941	4	WASHER M8 DIN 9021 Ø8,4/Ø24 -2 ZN		-
9	A465528	10	THREAD-FORMING SCREW M4*20 10.9 BLACK		-

2.2.2024

A438895 LATCH ASSEMBLY



2.2.2024

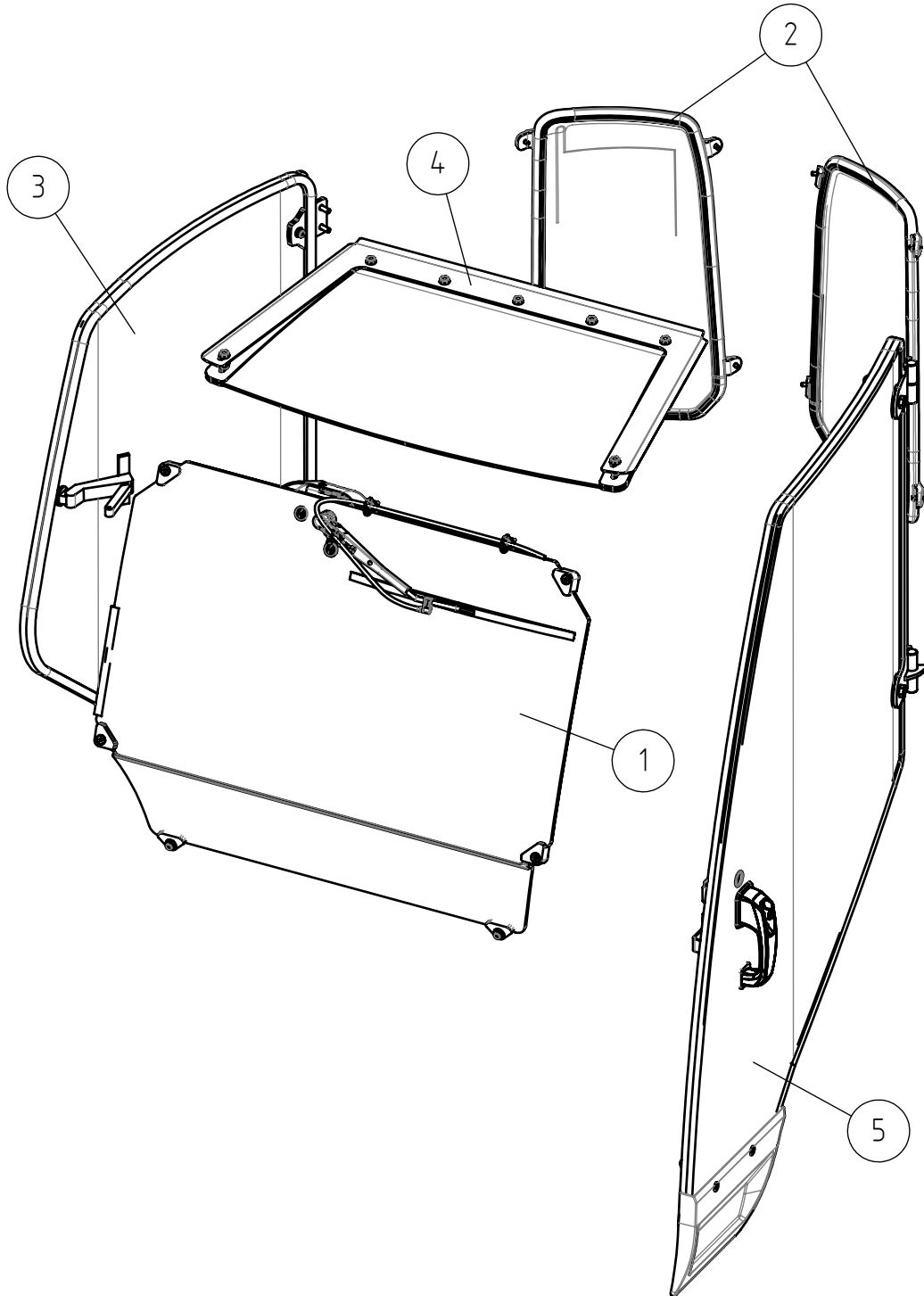
A438895 LATCH ASSEMBLY

REF	PART NO	QTY	DESCRIPTION	NOTES	PAGE
1	64980	1	GUIDE PLATE, LOCK		-
2	65665	1	DOOR SWITCH, CAB		-
3	A434306	1	LATCH DOOR CAB GT		-
4	64979	1	PIN, DOOR LOCK		-
5	A429200	2	HEXAGONAL SERRATED SCREW M8*16 WITH		-
6	A435941	2	WASHER M8 DIN 9021 Ø8,4/Ø24 -2 ZN		-
7	A450048	1	HEXAGONAL NUT M12 WITH FLANGE		-

132/232

2.2.2024

A453483 DOOR AND WINDOWS ASSEMBLY CAB GT

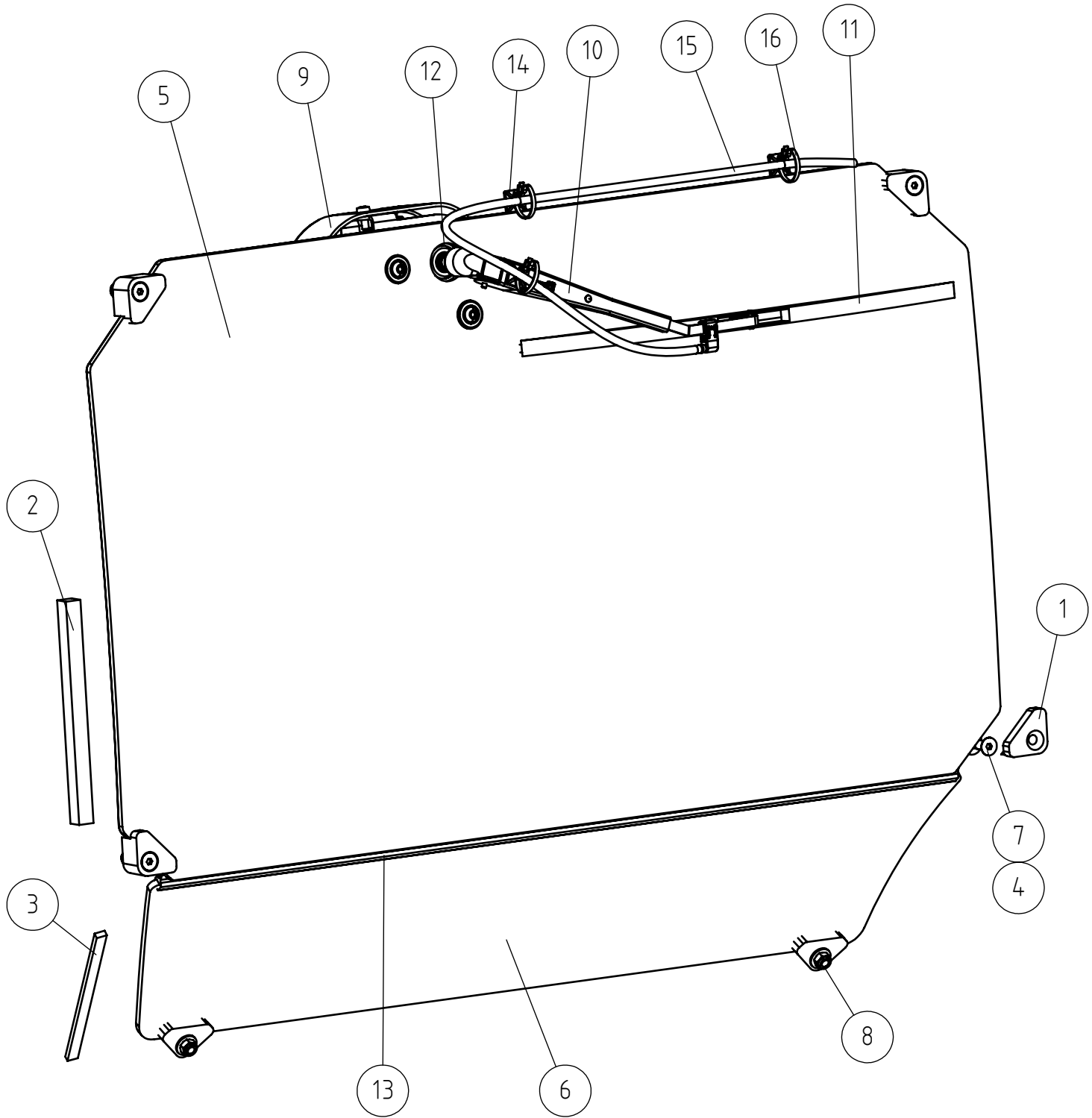


A453483 DOOR AND WINDOWS ASSEMBLY CAB GT

REF	PART NO	QTY	DESCRIPTION	NOTES	PAGE
1	A445896	1	WINDSCREEN ASSEMBLY CAB GT		136
2	A436771	1	REAR WINDOWS CAB GT		140
2.1	A434932	1	REAR WINDOW LEFT CAB GT		-
2.2	A434114	1	REAR WINDOW RIGHT CAB GT		-
2.3	A435250	4	BRACKET OUTSIDE REAR WINDOW CAB GT		-
2.4	A435251	4	BRACKET INSIDE REAR WINDOW CAB GT		-
2.5	A436768	2	SEAL REAR WINDOW CAB GT		-
3	A434952	1	WINDOW RIGHT ASSEMBLY CAB GT		142
4	A436900	1	SUNROOF ASSEMBLY CAB GT		144
4.1	A434638	1	SUNROOF PLATE CAB GT		-
4.2	A436903	1	SEAL SUNROOF CAB GT		-
5	A434950	1	DOOR ASSEMBLY CAB GT		146

2.2.2024

A445896 WINDSCREEN ASSEMBLY CAB GT



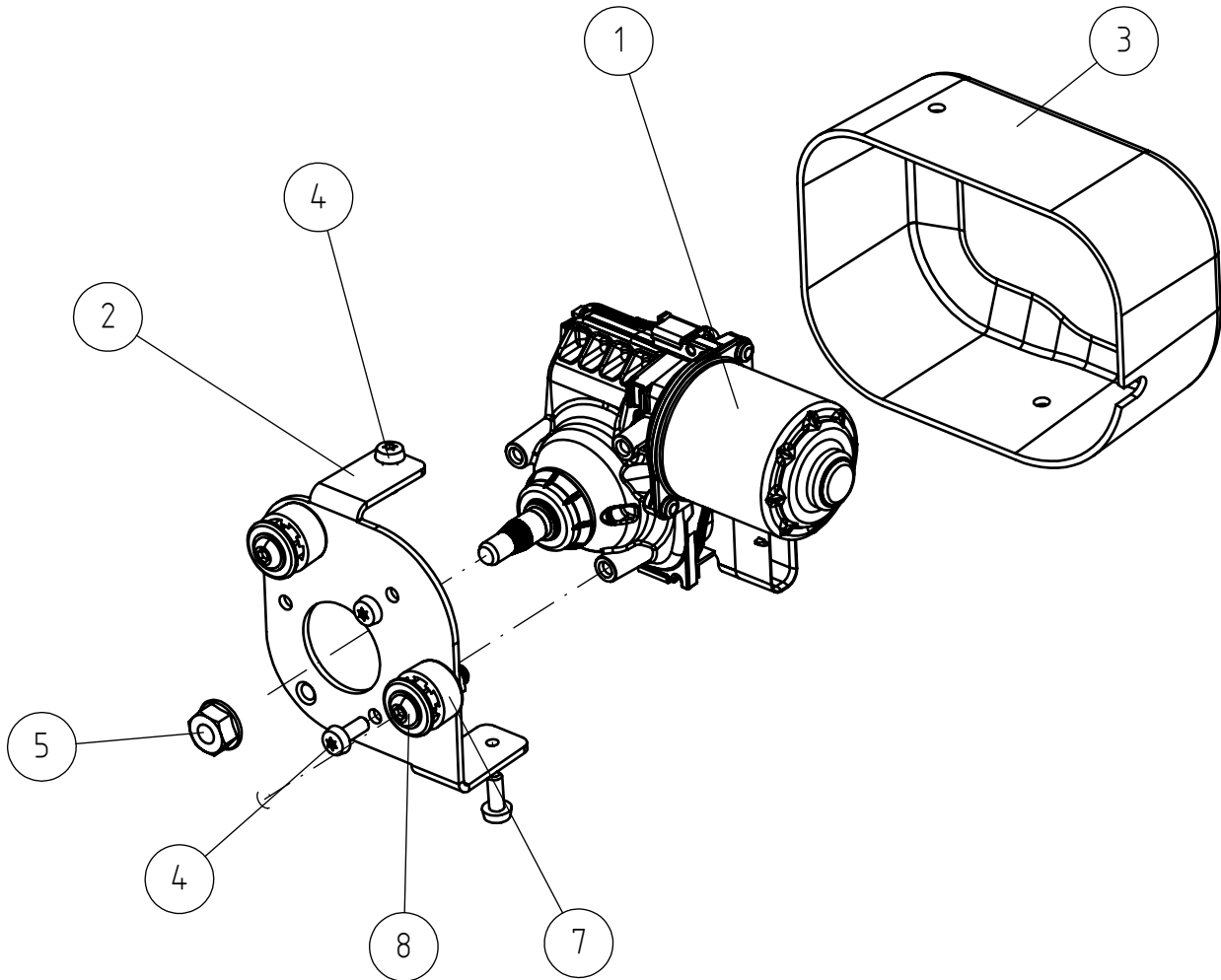
2.2.2024

A445896 WINDSCREEN ASSEMBLY CAB GT

REF	PART NO	QTY	DESCRIPTION	NOTES	PAGE
1	A412362	6	BRACKET, WINDSCREEN		-
2	A413839	1	WEATHER STRIP, WINDSCREEN, CAB DLX		-
3	A413848	1	WEATHER STRIP, WINDSCREEN SMALL, CAB DLX		-
4	74525	6	WASHER M8 8,4*20*1,25 ZN		-
5	A445897	1	WINDSCREEN CAB 500-700 SERIES		-
6	A434100	1	WINDSCREEN, LOWER, SMALL, CAB GT		-
7	75039	4	HEXAG. COUNTERSUNK HEAD SCREW M8*40		-
8	72320	6	HEXAGONAL NUT M8 NYLOC DIN 985		-
9	A449928	1	WINDSCREEN WIPER ASSEMBLY CAB GT		138
10	A443799	1	ARM, WINDSCREEN WIPER M10 L=302 WITH		-
11	65170	1	WIPER BLADE DOGA		-
12	A445904	1	SEAL MOTOR WINDSCREEN WIPER		-
13	A452085	1	WEATHER STRIP BETWEEN WINDSCREENS CAB GT		-
14	A455710	3	SOCKET ADHESIVE 19X19 CABLE TIE		-
15	A456336	1	HOSE WINDSCREEN WASHER CAB GT		-
16	A431459	3	CABLE TIE 3,6*281 BLACK		-

2.2.2024

A449928 WINDSCREEN WIPER ASSEMBLY CAB GT



2.2.2024

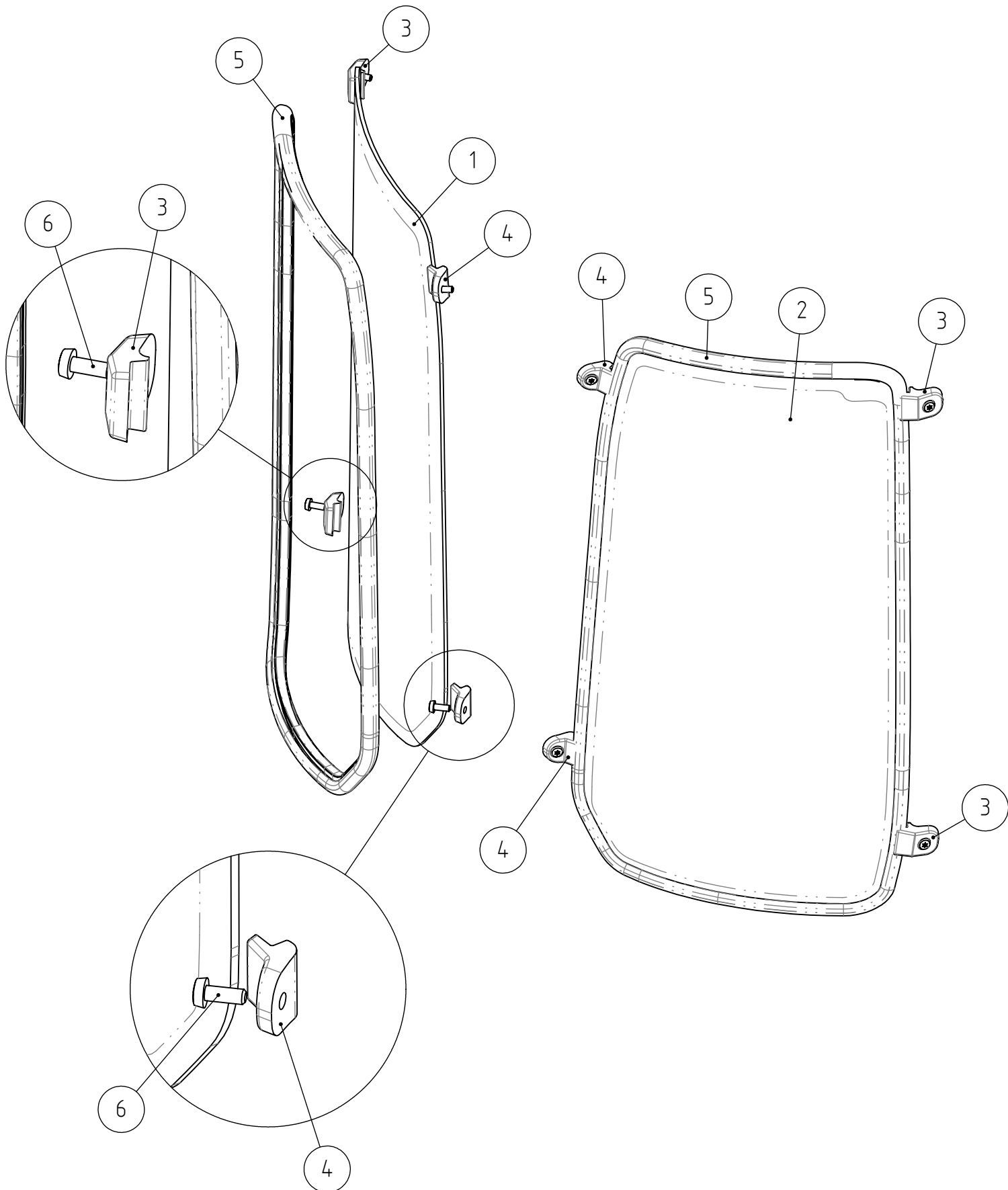
A449928 WINDSCREEN WIPER ASSEMBLY CAB GT

REF	PART NO	QTY	DESCRIPTION	NOTES	PAGE
1	A444058	1	ELECTRIC MOTOR PROGRAMMED WINDSCREEN		-
2	A440457	1	BRACKET MOTOR WINDSCREEN WIPER		-
3	A440716	1	COVER MOTOR WINDSCREEN WIPER		-
4	A437544	4	THREAD-FORMING SCREW BLACK M6*16 DIN		-
5	74783	1	HEXAGONAL NUT M10 WITH FLANGE		-
6	A446546	2	BUSHING PLASTIC D16,9/D8 - L5,4		-
7	A446547	2	BUSHING PLASTIC D16,9/D8 - L15,3		-
8	A449933	2	HEXAGONAL HEAD SCREW M8*35 10.9		-

138/232

2.2.2024

A436771 REAR WINDOWS CAB GT



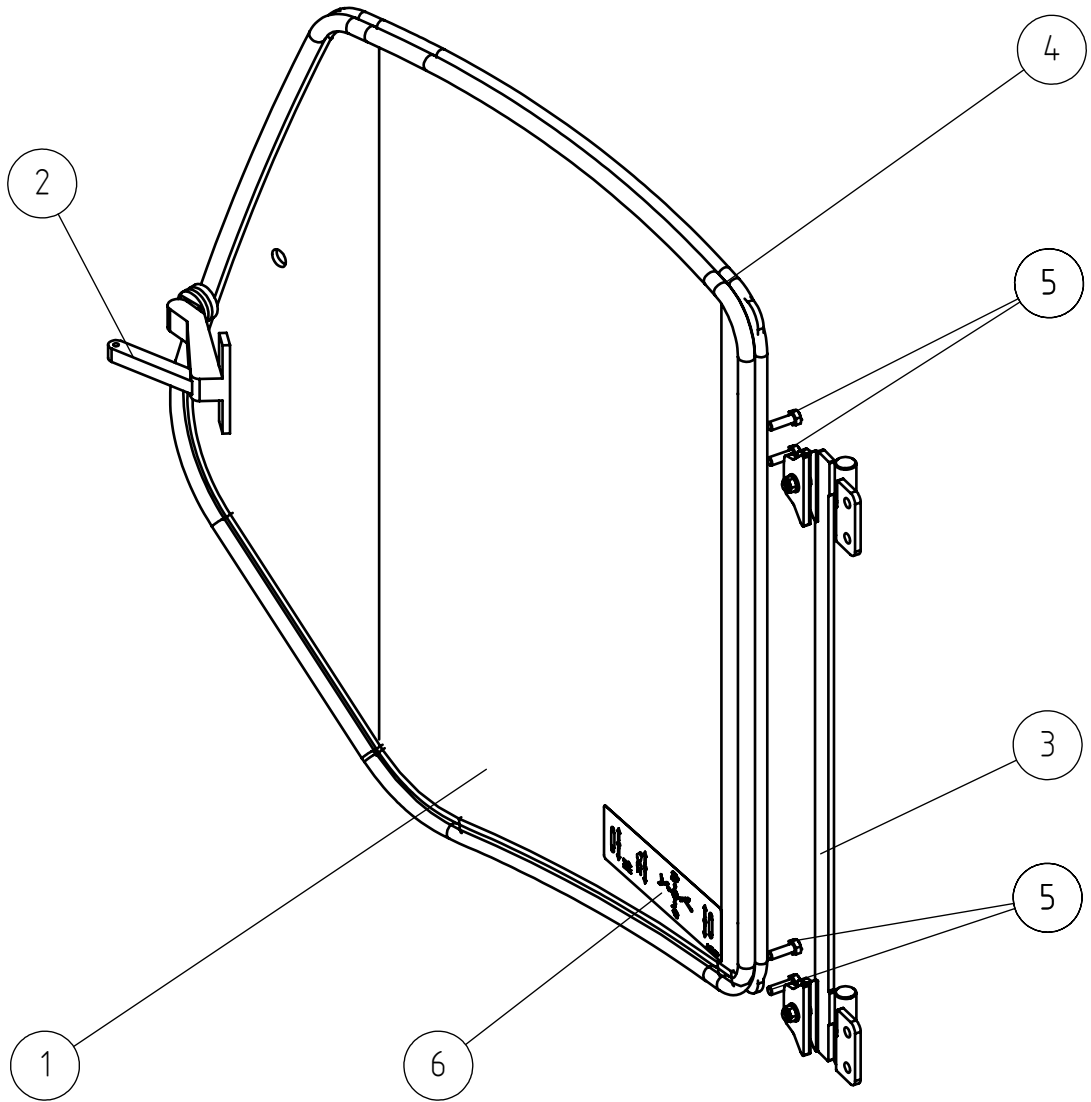
2.2.2024

A436771 REAR WINDOWS CAB GT

REF	PART NO	QTY	DESCRIPTION	NOTES	PAGE
1	A434932	1	REAR WINDOW LEFT CAB GT		-
2	A434114	1	REAR WINDOW RIGHT CAB GT		-
3	A435250	4	BRACKET OUTSIDE REAR WINDOW CAB GT		-
4	A435251	4	BRACKET INSIDE REAR WINDOW CAB GT		-
5	A436768	2	SEAL REAR WINDOW CAB GT		-
6	75129	8	THREAD-FORMING SCREW M6*16 DIN 7500C		-
-	A434932	1	REAR WINDOW LEFT CAB GT		-
-	A434114	1	REAR WINDOW RIGHT CAB GT		-
-	A435250	4	BRACKET OUTSIDE REAR WINDOW CAB GT		-
-	A435251	4	BRACKET INSIDE REAR WINDOW CAB GT		-
-	A436768	2	SEAL REAR WINDOW CAB GT		-

2.2.2024

A434952 WINDOW RIGHT ASSEMBLY CAB GT



2.2.2024

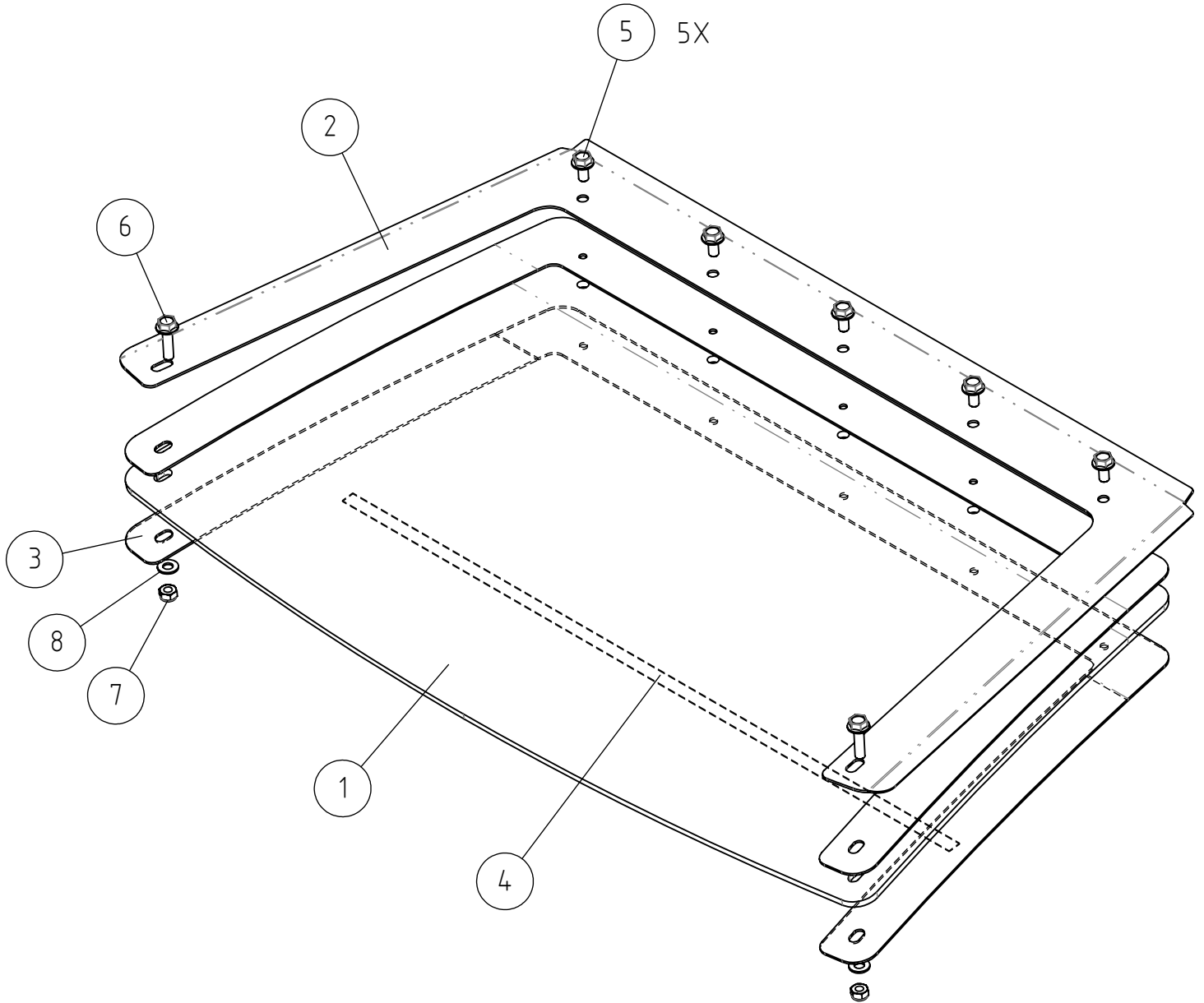
A434952 WINDOW RIGHT ASSEMBLY CAB GT

REF	PART NO	QTY	DESCRIPTION	NOTES	PAGE
1	A411820	1	WINDOW, RIGHT, CAB DLX & GT		-
2	64983	1	HANDLE, WINDOW RIGHT, CAB 600 SERIES		-
2.1	66026	1	RELEASE PIN, OPENING MECHANISM WINDOW		-
3	A434953	1	BRACKET ASSEMBLY SIDE WINDOW CAB		-
4	A413843	1	WEATHER STRIP, SIDE WINDOW, CAB DLX		-
5	72132	4	HEXAGONAL SCREW M 8*25 DIN 933 ZN		-
6	A441320	1	DECAL CONTROLS CAB GT RIGHT WINDOW		-

142/232

2.2.2024

A436900 SUNROOF ASSEMBLY CAB GT



2.2.2024

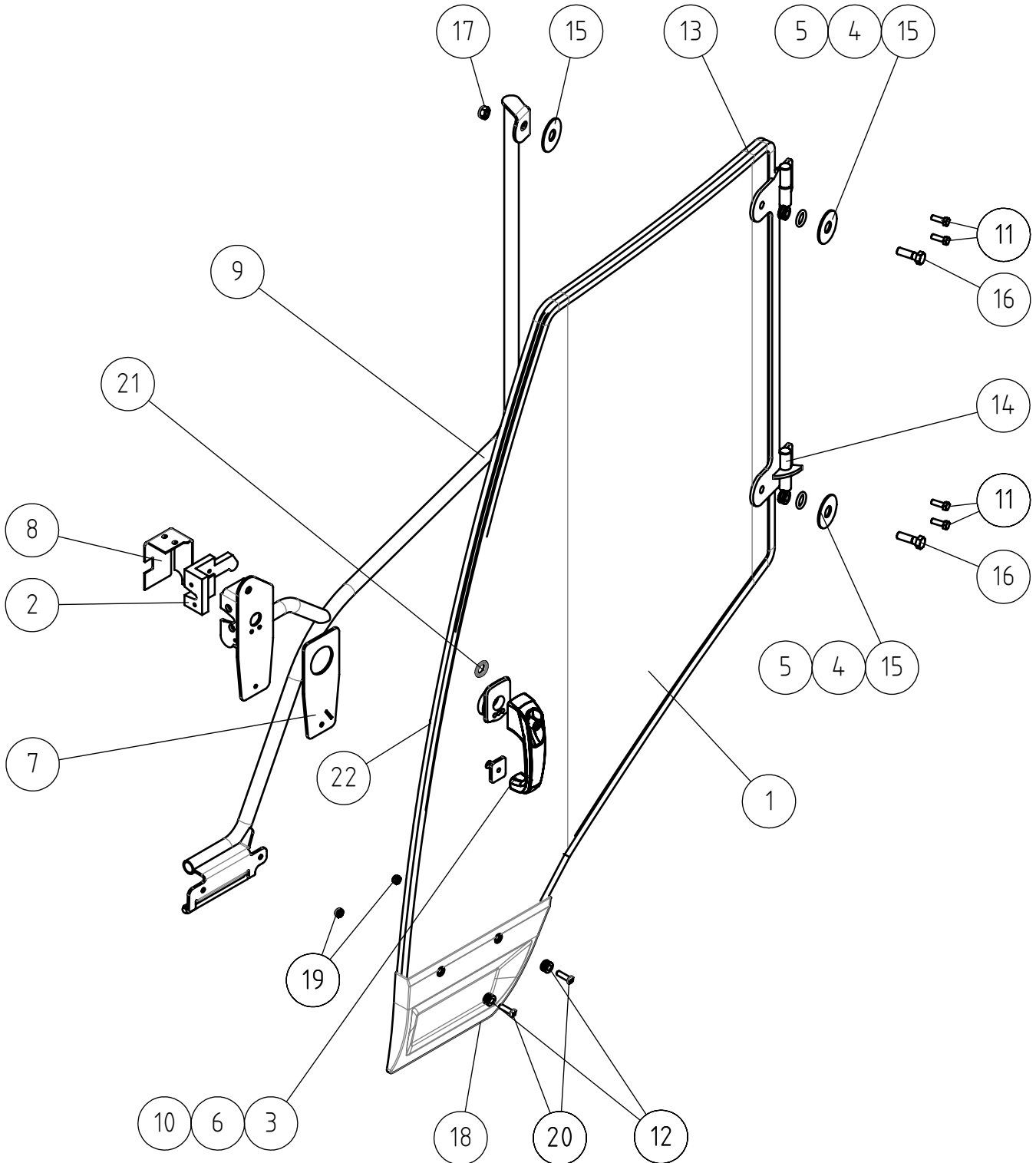
A436900 SUNROOF ASSEMBLY CAB GT

REF	PART NO	QTY	DESCRIPTION	NOTES	PAGE
1	A434638	1	SUNROOF PLATE CAB GT		-
2	A434637	1	FRAME SUNROOF PLATE CAB GT		-
3	A436903	2	SEAL SUNROOF CAB GT		-
4	A436908	1	TAPE ACRYLIC TWO-SIDED		-
5	A429200	5	HEXAGONAL SERRATED SCREW M8*16 WITH		-
6	A429203	2	HEXAGONAL SERRATED SCREW M8*30 WITH		-
7	72320	2	HEXAGONAL NUT M8 NYLOC DIN 985		-
8	73122	2	WASHER M8 A8,4 DIN 125 ZN		-
-	A434638	1	SUNROOF PLATE CAB GT		-
-	A436903	1	SEAL SUNROOF CAB GT		-

144/232

2.2.2024

A434950 DOOR ASSEMBLY CAB GT



2.2.2024

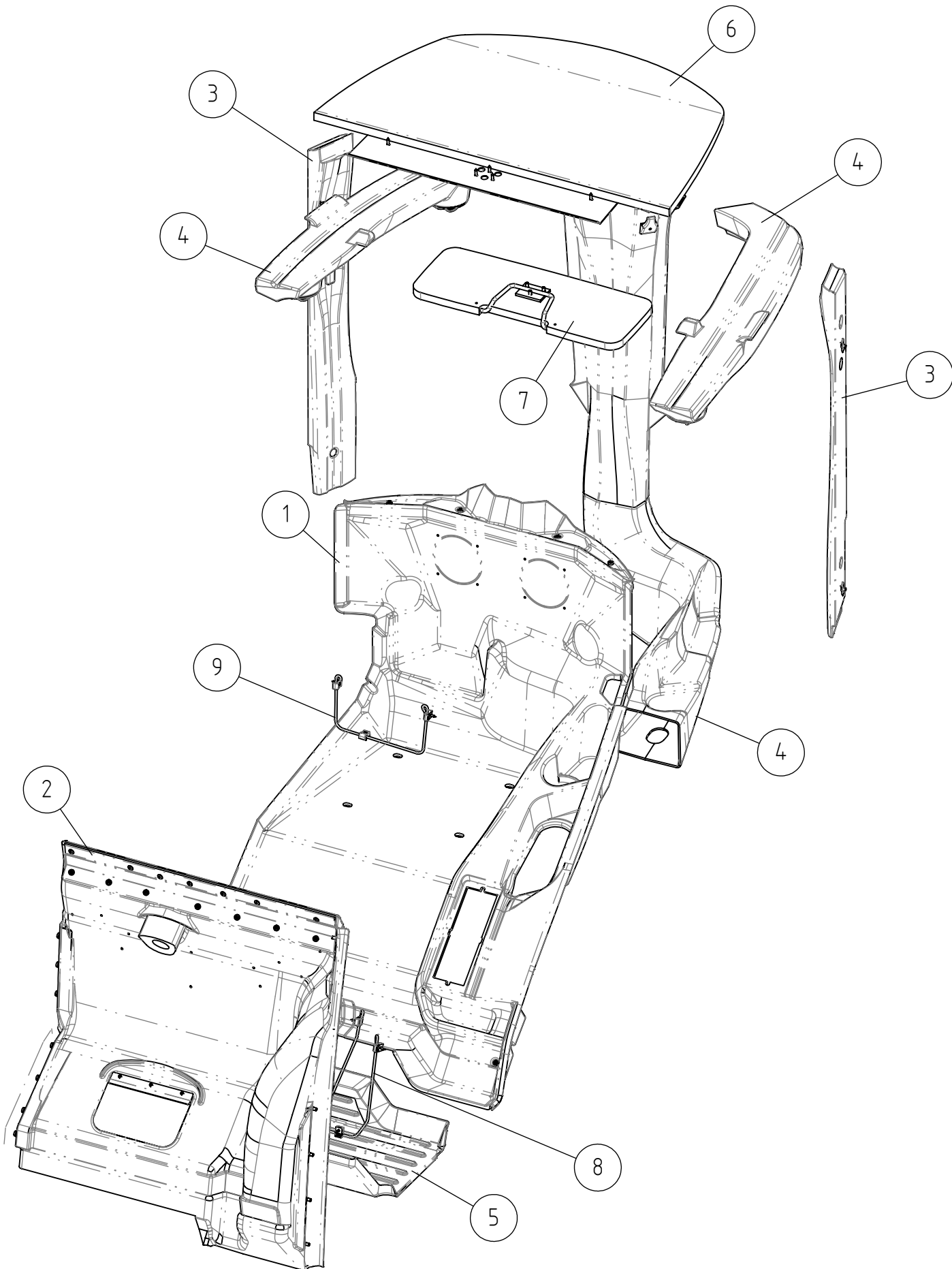
A434950 DOOR ASSEMBLY CAB GT

REF	PART NO	QTY	DESCRIPTION	NOTES	PAGE
1	A411823	1	DOOR PLATE, SAFETY GLASS, CAB DLX & GT		-
2	64981	1	LOCK BODY		-
3	65025	1	HANDLE, DOOR, CAB		-
4	74856	2	O-RING NBR F 20,0 * 5,0 70SH		-
5	A412329	2	BUSHING		-
6	65026	1	SUBPLATE, DOOR HANDLE 20325-01		-
7	A47957	1	PLATE		-
8	A412344	1	COVER PLATE		-
9	A34859	1	FRAME, DOOR, CAB DLX & GT		-
10	65027	1	SUBPLATE, DOOR HANDLE		-
11	72132	4	HEXAGONAL SCREW M 8*25 DIN 933 ZN		-
12	64985	2	GROMMET F19/13/10,S=5H=11		-
13	A435077	1	WEATHER STRIP DOOR CAB GT		-
14	A434951	1	HINGE LOWER, DOOR CAB GT		-
15	A412327	4	RUBBER WASHER		-
16	73322	2	HEXAGONAL SCREW M12*40 DIN 931		-
17	72324	2	HEXAGONAL NUT M 12 NYLOC DIN 985		-
18	A435102	1	RUBBER PLATE, LOWER, DOOR CAB GT		-
19	72320	2	HEXAGONAL NUT M8 NYLOC DIN 985		-
20	A439829	2	HEXAGONAL HEAD SCREW M8*30 10.9 2		-
21	A440993	1	RUBBER PLUG D29/D25,8 H12 60SH		-
22	A453884	1	BRACKET		-

146/232

2.2.2024

A453489 UPHOLSTERY ASSEMBLY CAB GT



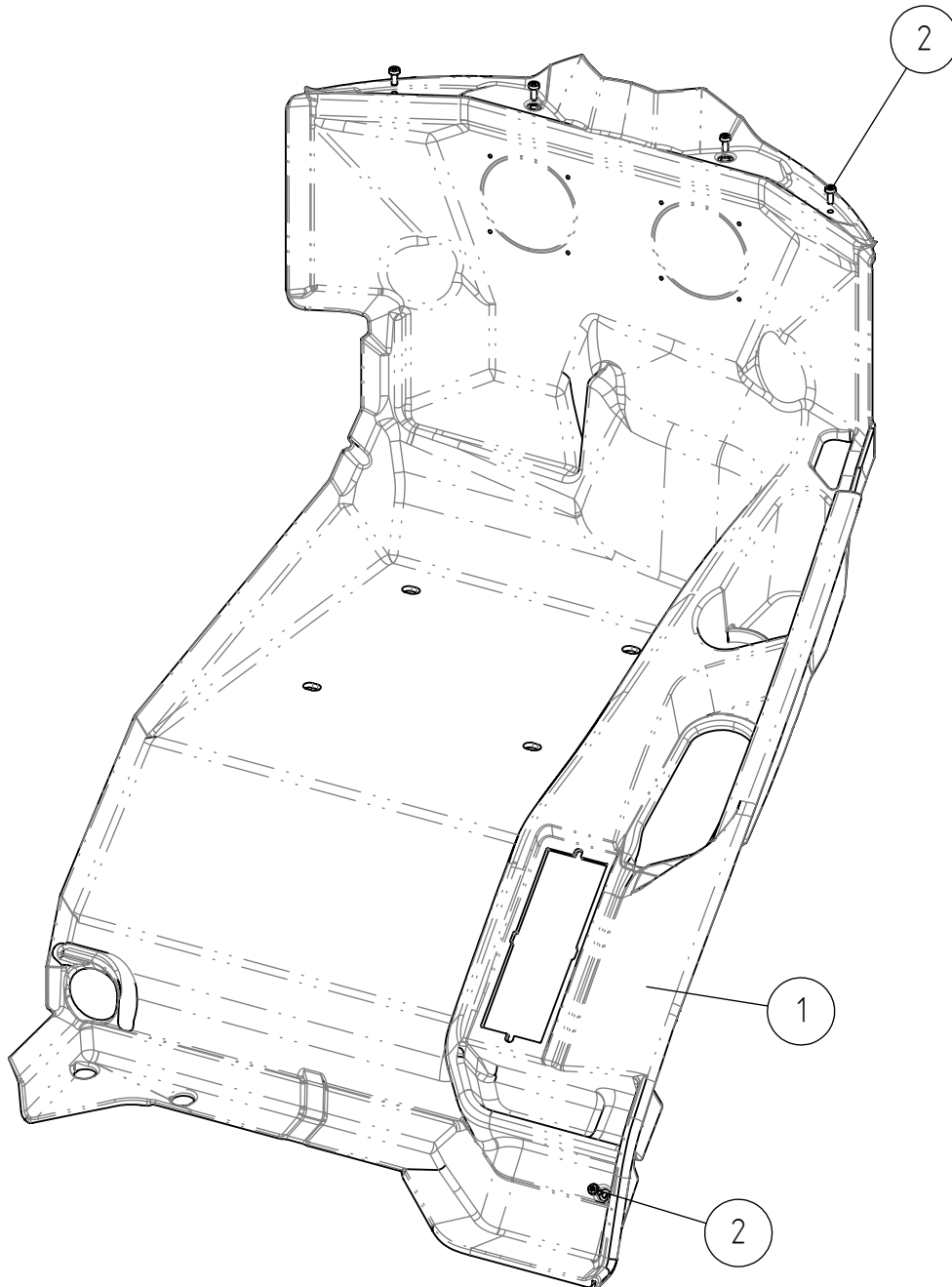
2.2.2024

A453489 UPHOLSTERY ASSEMBLY CAB GT

REF	PART NO	QTY	DESCRIPTION	NOTES	PAGE
1	A434208	1	FLOOR MAT ASSEMBLY CAB GT		150
2	A436615	1	HEAT SHIELD ASSEMBLY CAB GT		152
3	A436754	1	UPHOLSTERY PANELS B-PILLARS CAB GT		154
4	A436635	1	AIR DUCTS ASSEMBLY CAB GT		156
5	A434410	1	SERVICE HATCH ASSEMBLY CAB GT		158
6	A438892	1	UPHOLSTERY ASSEMBLY CEILING CAB GT		160
7	A438887	1	SUN VISOR ASSEMBLY CAB GT		162
8	A438452	1	NET POCKET ASSEMBLY CAB GT		164
9	A438443	1	NET POCKET REAR ASSEMBLY CAB GT		166

2.2.2024

A434208 FLOOR MAT ASSEMBLY CAB GT



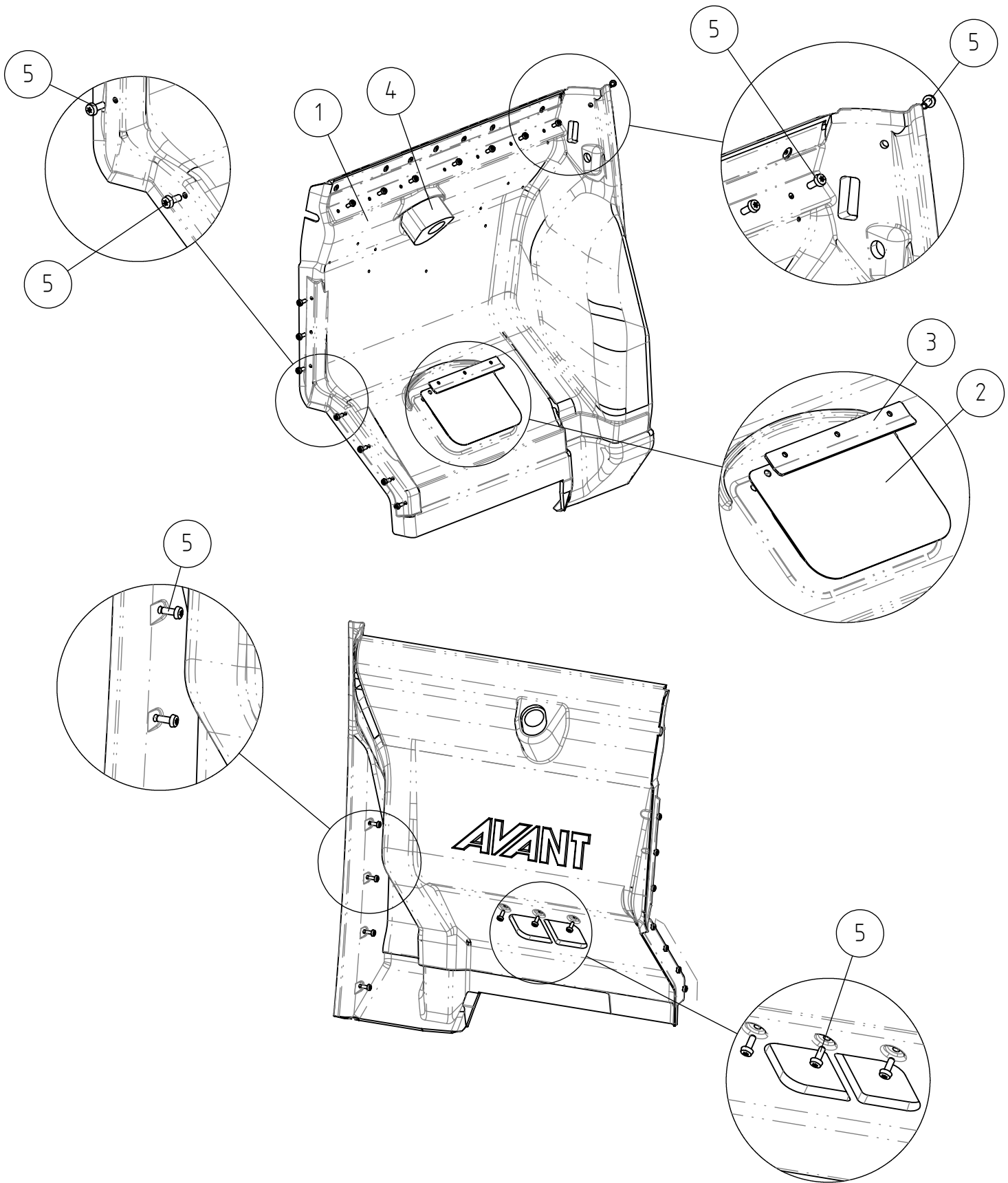
2.2.2024

A434208 FLOOR MAT ASSEMBLY CAB GT

REF	PART NO	QTY	DESCRIPTION	NOTES	PAGE
1	A434207	1	COVER PANEL FLOOR ASSEMBLY CAB GT		-
2	75129	5	THREAD-FORMING SCREW M6*16 DIN 7500C		-

2.2.2024

A436615 HEAT SHIELD ASSEMBLY CAB GT



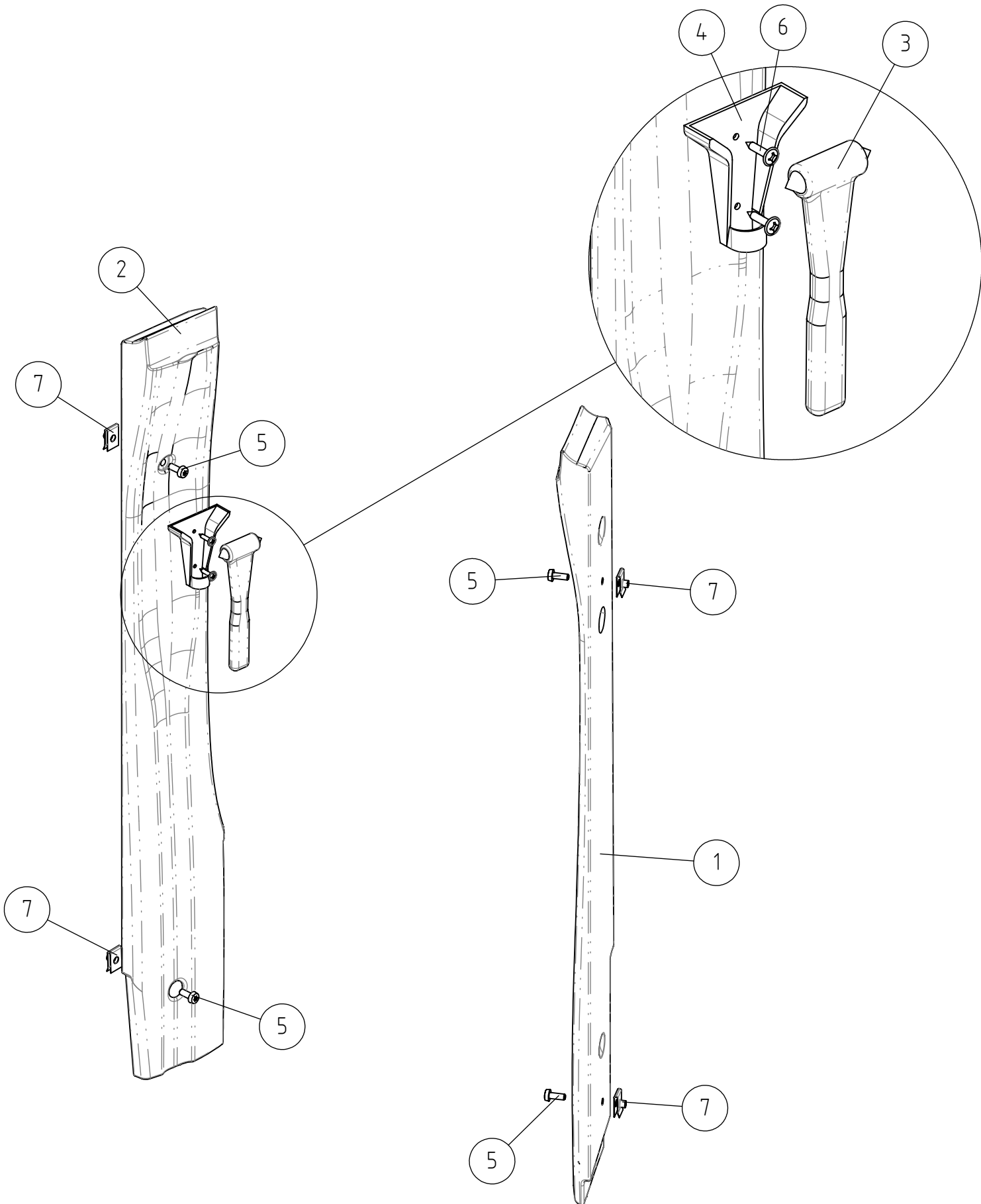
2.2.2024

A436615 HEAT SHIELD ASSEMBLY CAB GT

REF	PART NO	QTY	DESCRIPTION	NOTES	PAGE
1	A434678	1	HEAT SHIELD CAB GT		-
2	A436879	1	RUBBER PLATE DOOR CAB GT		-
3	A436880	1	MOUNTING BRACKET RUBBER PLATE DOOR CAB		-
4	A439956	1	RUBBER BUSHING STEERING COLUMN		-
5	75129	22	THREAD-FORMING SCREW M6*16 DIN 7500C		-

2.2.2024

A436754 UPHOLSTERY PANELS B-PILLARS CAB GT



2.2.2024

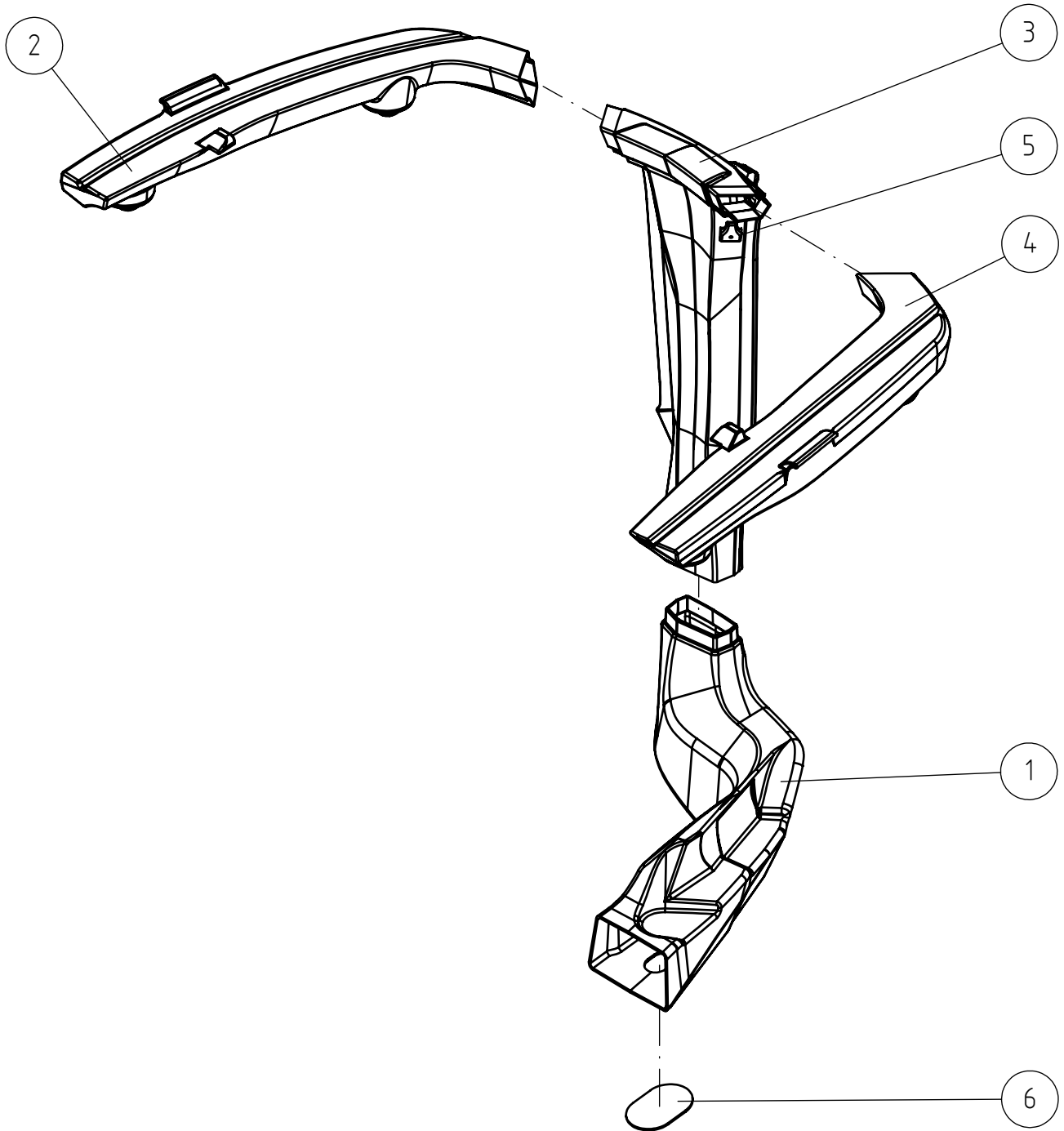
A436754 UPHOLSTERY PANELS B-PILLARS CAB GT

REF	PART NO	QTY	DESCRIPTION	NOTES	PAGE
1	A436420	1	UPHOLSTERY PANEL B-PILLAR LEFT CAB GT		-
2	A436524	1	UPHOLSTERY PANEL B-PILLAR RIGHT CAB GT		-
3	64986	1	EMERGENCY HAMMER HAPPICH RED		-
4	64987	1	BRACKET, EMERGENCY HAMMER		-
5	75129	4	THREAD-FORMING SCREW M6*16 DIN 7500C		-
6	A431729	2	PAN HEAD MACHINE SCREW M3,9*19		-
7	74807	4	SPEED NUT M6, FOR 0.5-4.0 MM PLATE		-

154/232

2.2.2024

A436635 AIR DUCTS ASSEMBLY CAB GT



2.2.2024

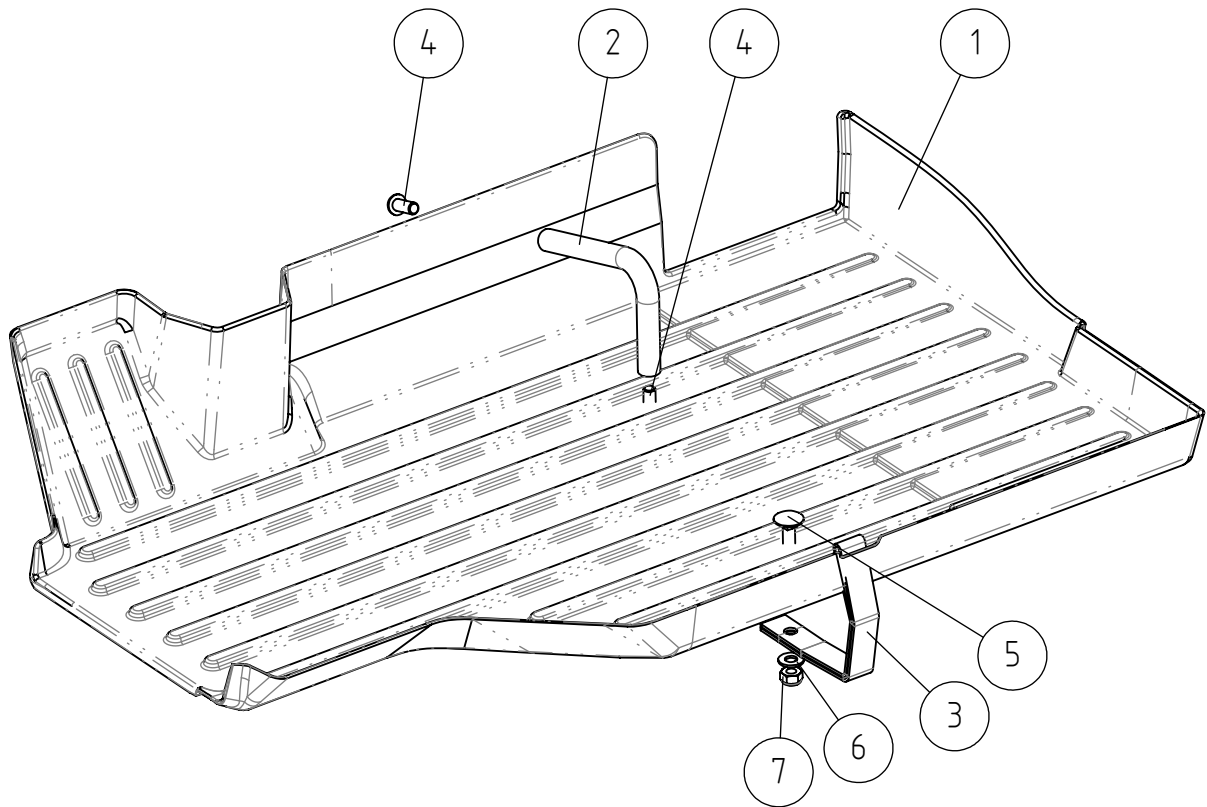
A436635 AIR DUCTS ASSEMBLY CAB GT

REF	PART NO	QTY	DESCRIPTION	NOTES	PAGE
1	A436413	1	AIR DUCT LOWER CAB GT		-
2	A436415	1	AIR DUCT CEILING RIGHT CAB GT		-
3	A436479	1	AIR DUCT VERTICAL CAB GT		-
4	A436417	1	AIR DUCT CEILING LEFT CAB GT		-
5	65072	1	COAT HOOK HAPPICH BLACK		-
6	A439839	1	COVER PLATE AIR DUCT CAB GT		-

156/232

2.2.2024

A434410 SERVICE HATCH ASSEMBLY CAB GT



2.2.2024

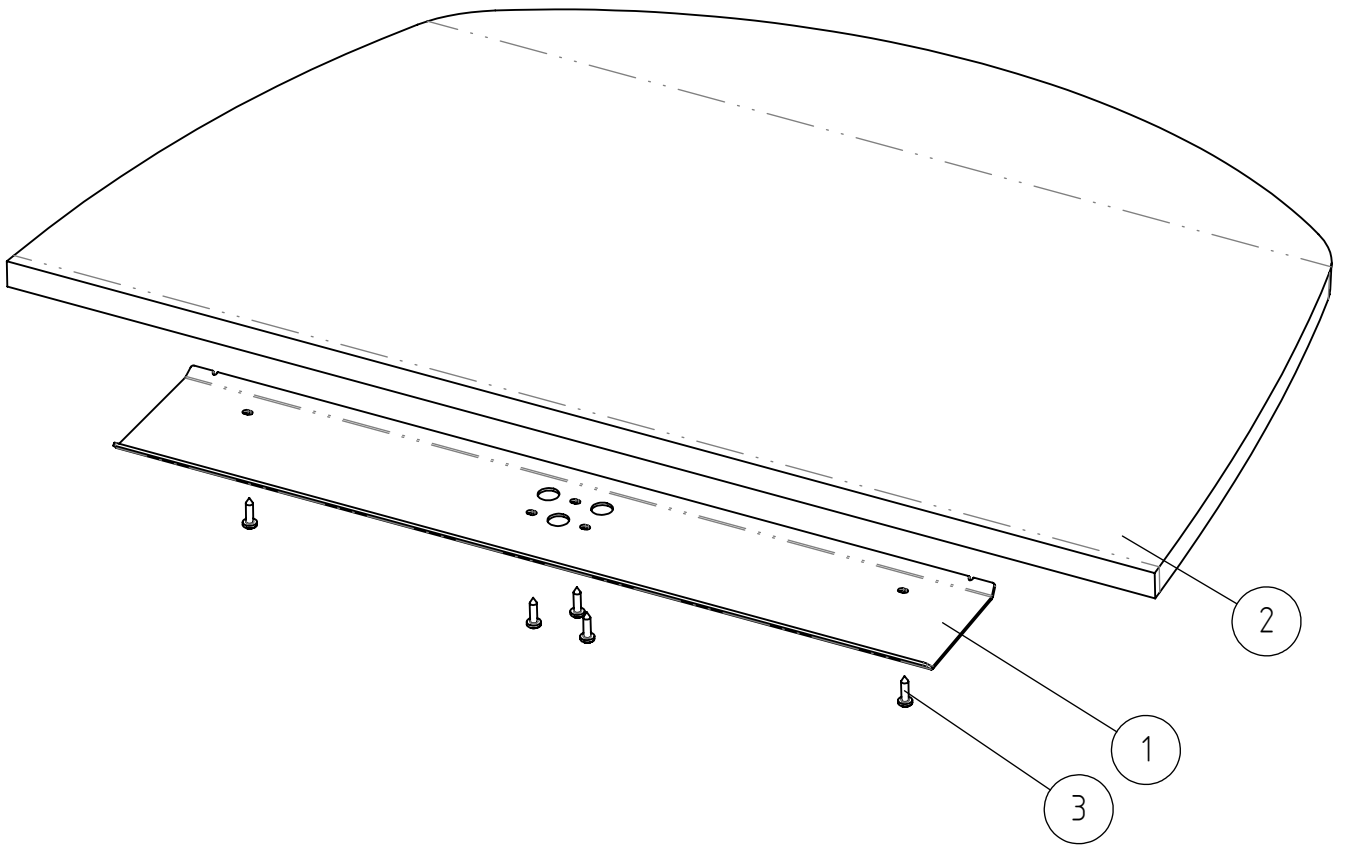
A434410 SERVICE HATCH ASSEMBLY CAB GT

REF	PART NO	QTY	DESCRIPTION	NOTES	PAGE
1	A437490	1	SERVICE HATCH CAB GT		-
2	A438964	1	GUARD BAR CAB GT		-
3	A436742	1	HANDLE SERVICE HATCH CAB GT		-
4	75152	2	BUTTON HEAD SOCKET CAP SCREW M8*20 10.9		-
5	74836	1	CARRIAGE BOLT M8*20		-
6	73122	1	WASHER M8 A8,4 DIN 125 ZN		-
7	72320	1	HEXAGONAL NUT M8 NYLOC DIN 985		-

158/232

2.2.2024

A438892 UPHOLSTERY ASSEMBLY CEILING CAB GT



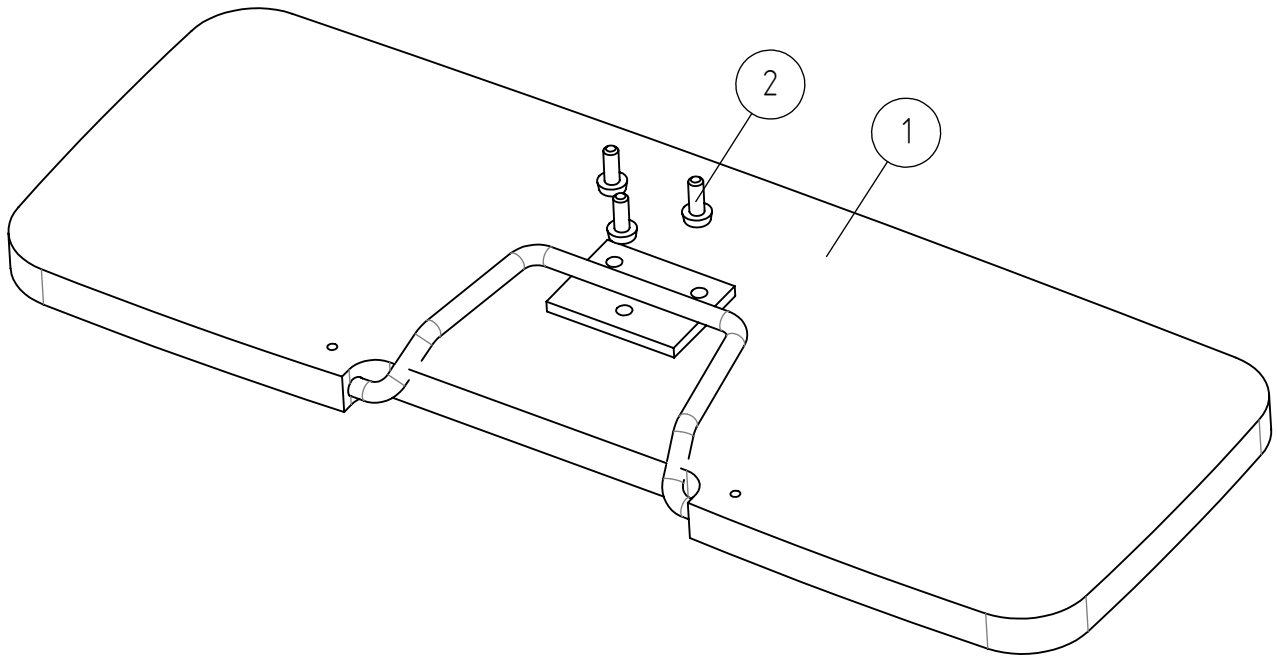
2.2.2024

A438892 UPHOLSTERY ASSEMBLY CEILING CAB GT

REF	PART NO	QTY	DESCRIPTION	NOTES	PAGE
1	A434346	1	UPHOLSTERY PLATE CAB GT		-
2	A436244	1	UPHOLSTERY CEILING CAB GT		-
3	A463689	5	TAPPING SCREW 4,8X19 DIN 7981C		-

2.2.2024

A438887 SUN VISOR ASSEMBLY CAB GT



2.2.2024

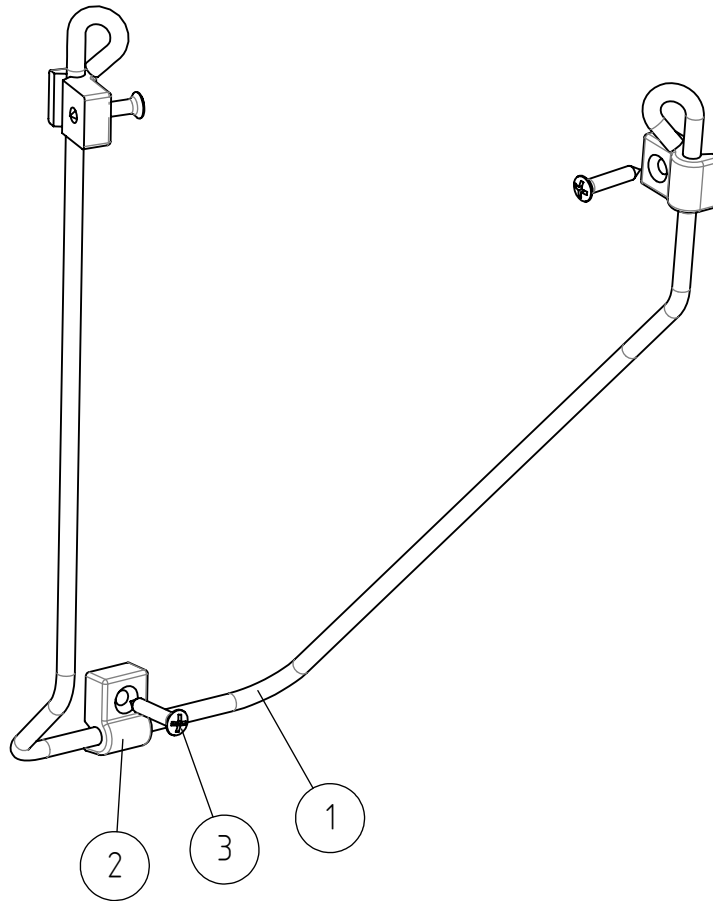
A438887 SUN VISOR ASSEMBLY CAB GT

REF	PART NO	QTY	DESCRIPTION	NOTES	PAGE
1	A438885	1	SUN VISOR 500X183 BLACK		-
2	A437544	3	THREAD-FORMING SCREW BLACK M6*16 DIN		-

162/232

2.2.2024

A438452 NET POCKET ASSEMBLY CAB GT



2.2.2024

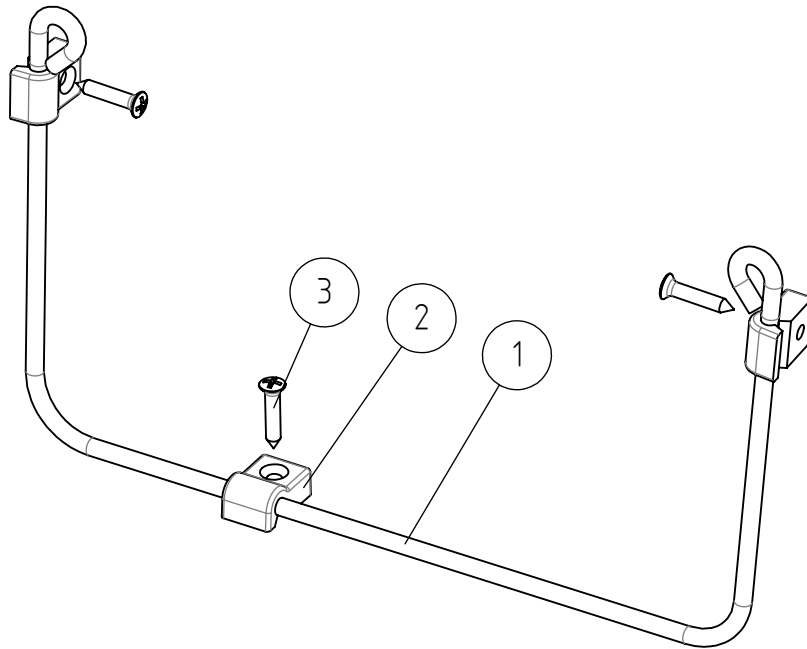
A438452 NET POCKET ASSEMBLY CAB GT

REF	PART NO	QTY	DESCRIPTION	NOTES	PAGE
1	A438448	1	NET POCKET CAB GT		-
2	A438436	3	MOUNTING BRACKET NET POCKET CAB GT		-
3	A438444	3	TAPPING SCREW 3,9/7,5 X 20 DIN 7983		-

164/232

2.2.2024

A438443 NET POCKET REAR ASSEMBLY CAB GT



2.2.2024

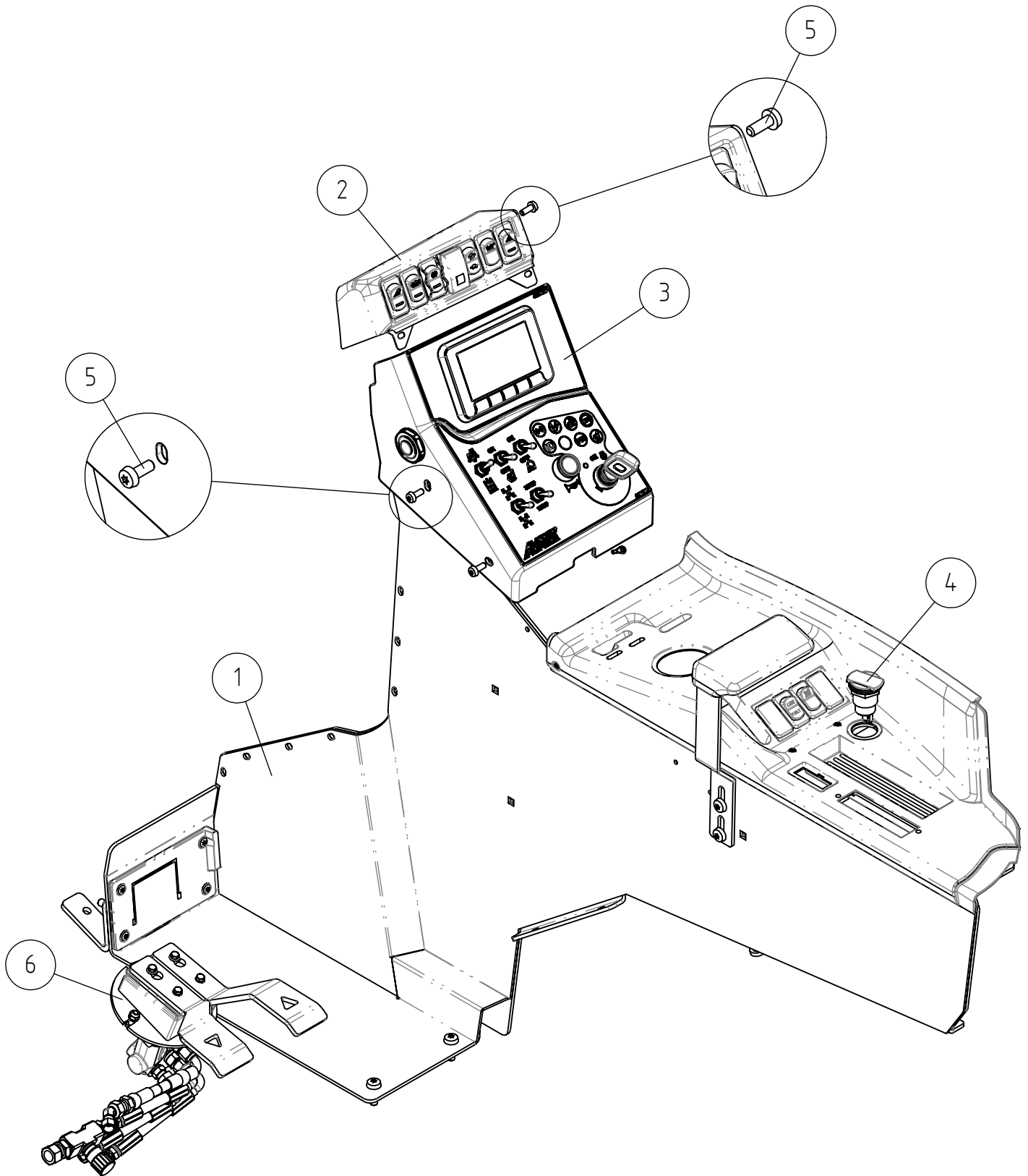
A438443 NET POCKET REAR ASSEMBLY CAB GT

REF	PART NO	QTY	DESCRIPTION	NOTES	PAGE
1	A438434	1	FRAME NET POCKET CAB GT		-
2	A438436	3	MOUNTING BRACKET NET POCKET CAB GT		-
3	A438444	3	TAPPING SCREW 3,9/7,5 X 20 DIN 7983		-

166/232

2.2.2024

A448127 CONTROLS ASSEMBLY CAB GT



2.2.2024

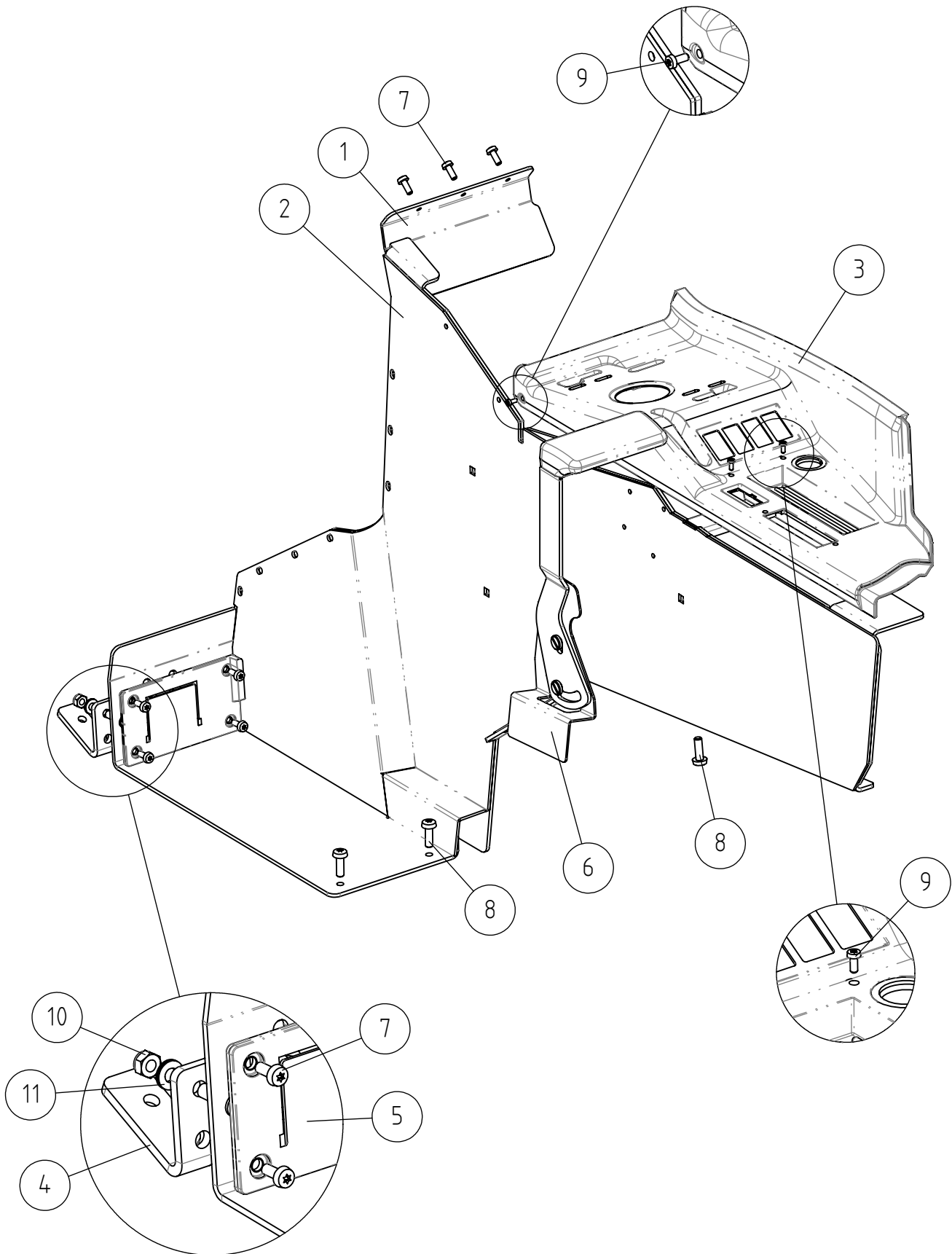
A448127 CONTROLS ASSEMBLY CAB GT

REF	PART NO	QTY	DESCRIPTION	NOTES	PAGE
1	A465450	1	CONTROLS ASSEMBLY CAB GT		170
2	A436212	1	HOUSING SWITCHES ASSEMBLY CAB GT		-
3	A436574	1	DASHBOARD CAB GT / DLX		172
3.1	A436098	1	WIRE HARNESS DASHBOARD		-
3.2	A425315	1	INDICATOR LIGHTS DASHBOARD		-
3.3	A440326	1	ALARM BEEPER D28,5/D45 -H47		-
3.4	A436572	1	PANEL ABS GAUGES CAB DLX		-
3.5	66156	1	IGNITION SWITCH 12V/30A/60A IP65 COBO		-
3.6	A442322	1	ROCKER SWITCH ON-OFF-MOM 3-POLE		-
3.7	A443283	4	TOGGLE SWITCH ON-OFF 2-POLE		-
3.8	64074	1	PUSH BUTTON F22,5 SIGNAL HORN		-
3.9	A436674	1	MOUNTING FRAME ASSEMBLY SWITCH PANEL CAB		-
3.10	A436642	1	MOUNTING FRAME ASSEMBLY DISPLAY CAB		-
4	A436424	1	OUTLET 12V/20A WITH COVER		-
5	75129	3	THREAD-FORMING SCREW M6*16 DIN 7500C		-
6	A449873	1	DRIVE PEDAL ASSEMBLY CAB GT		-

168/232

2.2.2024

A465450 CONTROLS ASSEMBLY CAB GT



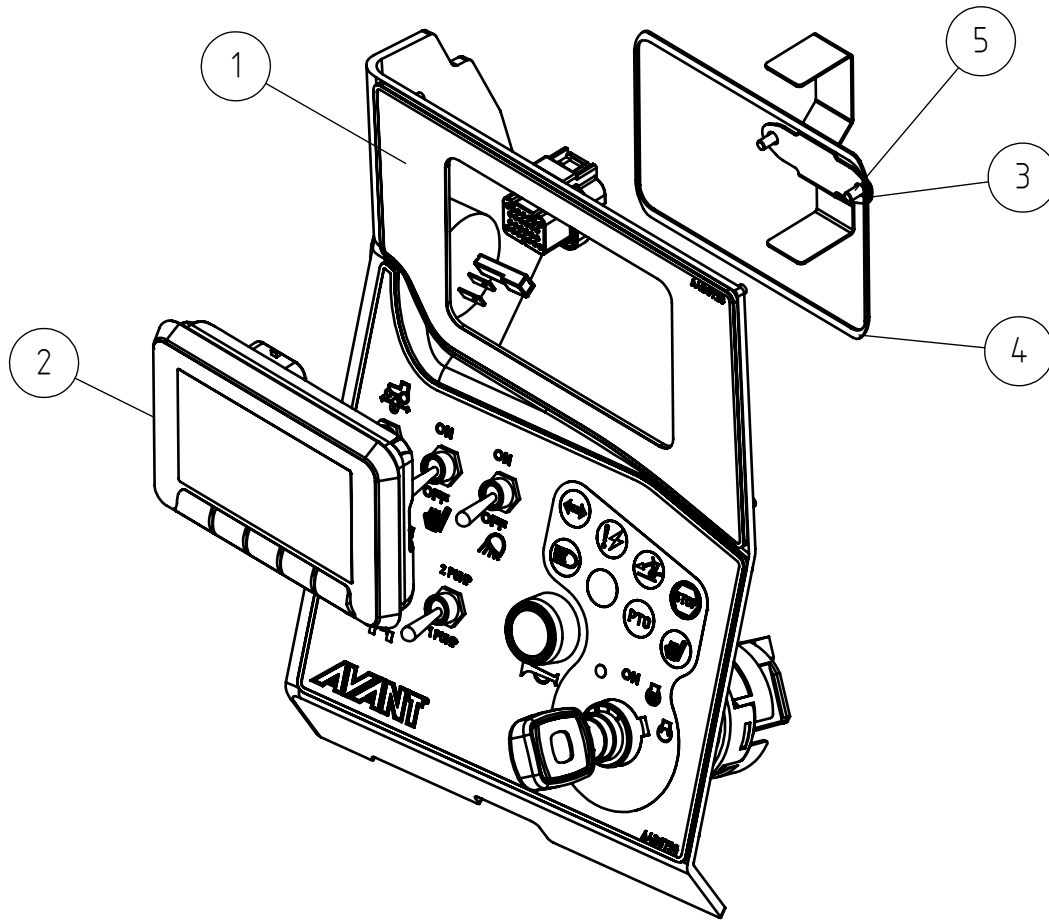
2.2.2024

A465450 CONTROLS ASSEMBLY CAB GT

REF	PART NO	QTY	DESCRIPTION	NOTES	PAGE
1	A449855	1	MOUNTING PLATE CONTROL VALVE CAB GT		-
2	A449863	1	MOUNTING PLATE CONTROL VALVE WITH		-
3	A436540	1	INSTRUMENT PANEL CAB GT		-
4	A449818	1	MOUNTING PLATE DRIVE PEDAL CAB GT		-
5	A434607	1	SEALING PLATE ASSEMBLY DRIVE PEDALS CAB		-
6	A454221	1	ARMREST RIGHT CAB GT		-
7	75129	7	THREAD-FORMING SCREW M6*16 DIN 7500C		-
8	75128	3	THREAD-FORMING SCREW M8*25 DIN 7500C		-
9	A438375	3	THREAD-FORMING SCREW 4*10		-
10	72320	2	HEXAGONAL NUT M8 NYLOC DIN 985		-
11	63944	2	WASHER, PAIR, NORD-LOCK M8		-

170/232

A436574 DASHBOARD CAB GT / DLX



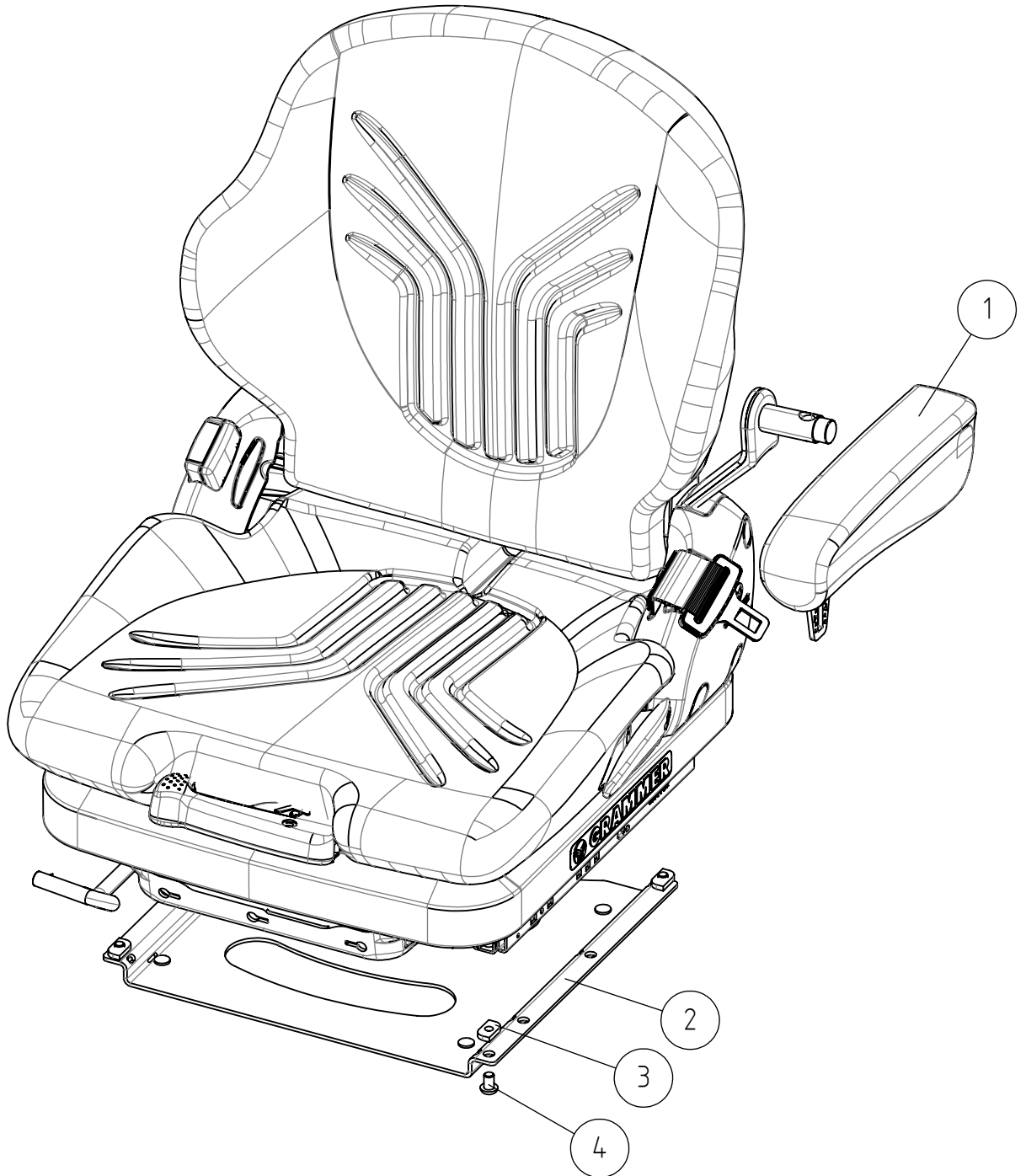
2.2.2024

A436574 DASHBOARD CAB GT / DLX

REF	PART NO	QTY	DESCRIPTION	NOTES	PAGE
1	A456501	1	DASHBOARD WITHOUT DISPLAY CAB GT		-
2	A428466	1	DISPLAY 4,3" COLOUR LED		-
3	A423587	1	MOUNTING PLATE DISPLAY		-
4	A436780	1	GROUNDING FRAME CANVIEW4 GAUGE PANEL		-
5	A431502	2	PAN HEAD MACHINE SCREW M4*8		-
-	A436098	1	WIRE HARNESS DASHBOARD		-
-	A425315	1	INDICATOR LIGHTS DASHBOARD		-
-	A440326	1	ALARM BEEPER D28,5/D45 -H47		-
-	A436572	1	PANEL ABS GAUGES CAB DLX		-
-	66156	1	IGNITION SWITCH 12V/30A/60A IP65 COBO		-
-	A442322	1	ROCKER SWITCH ON-OFF-MOM 3-POLE		-
-	A443283	4	TOGGLE SWITCH ON-OFF 2-POLE		-
-	64074	1	PUSH BUTTON F22,5 SIGNAL HORN		-
-	A436674	1	MOUNTING FRAME ASSEMBLY SWITCH PANEL CAB		-
-	A436642	1	MOUNTING FRAME ASSEMBLY DISPLAY CAB		-

2.2.2024

A449724 SEAT FULL SUSPENSION FABRIC HEATER MSG65



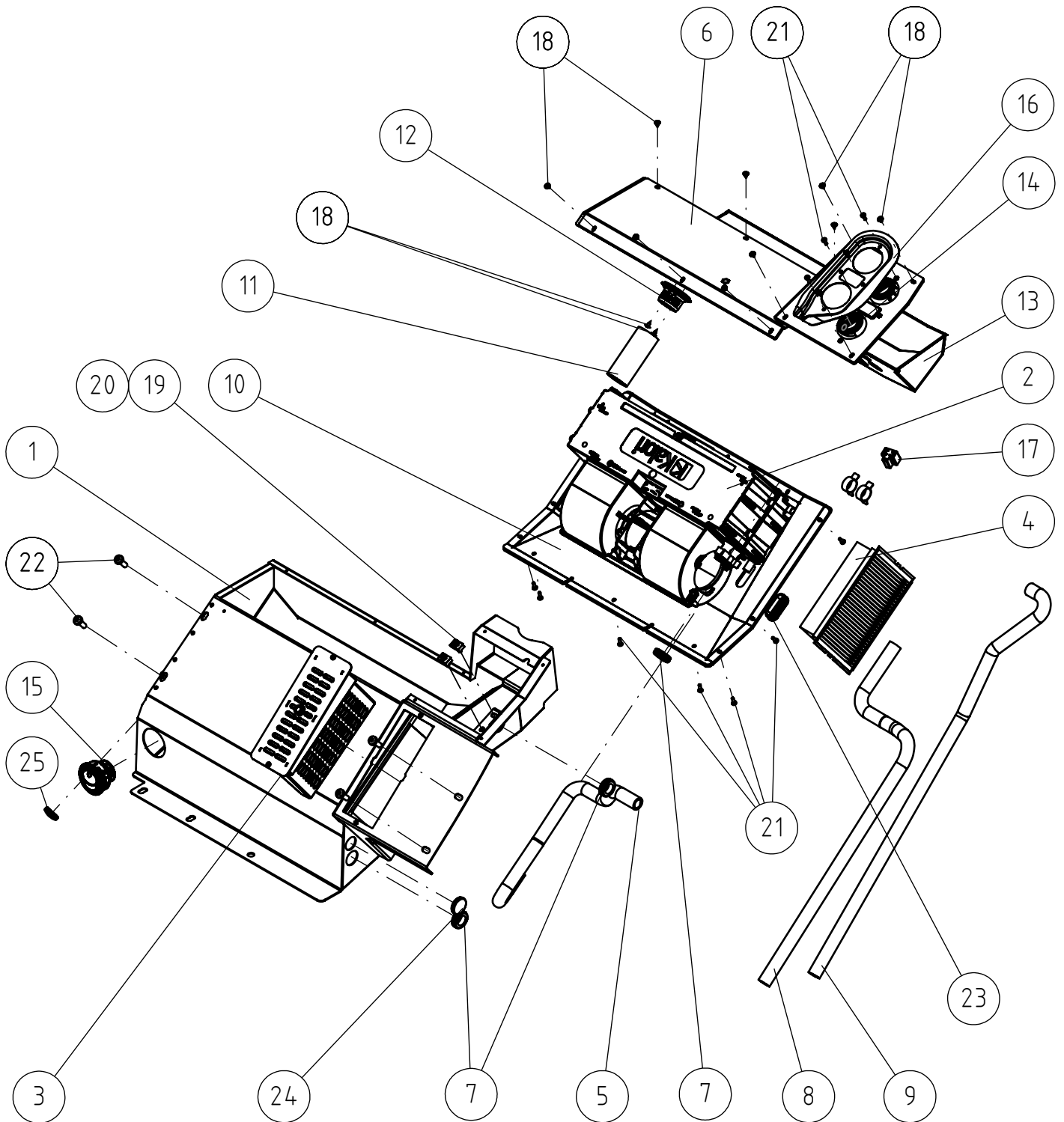
2.2.2024

A449724 SEAT FULL SUSPENSION FABRIC HEATER MSG65

REF	PART NO	QTY	DESCRIPTION	NOTES	PAGE
1	A452237	1	ARMREST LEFT, SEAT GRAMMER MSG65		-
2	A454836	1	MOUNTING PLATE SEAT CAB GT		-
3	A438059	4	SLIDING NUT M8		-
4	75131	4	BUTTON HEAD SOCKET CAP SCREW M8*12 10.9		-

174/232

A438246 HEATER ASSEMBLY CAB GT



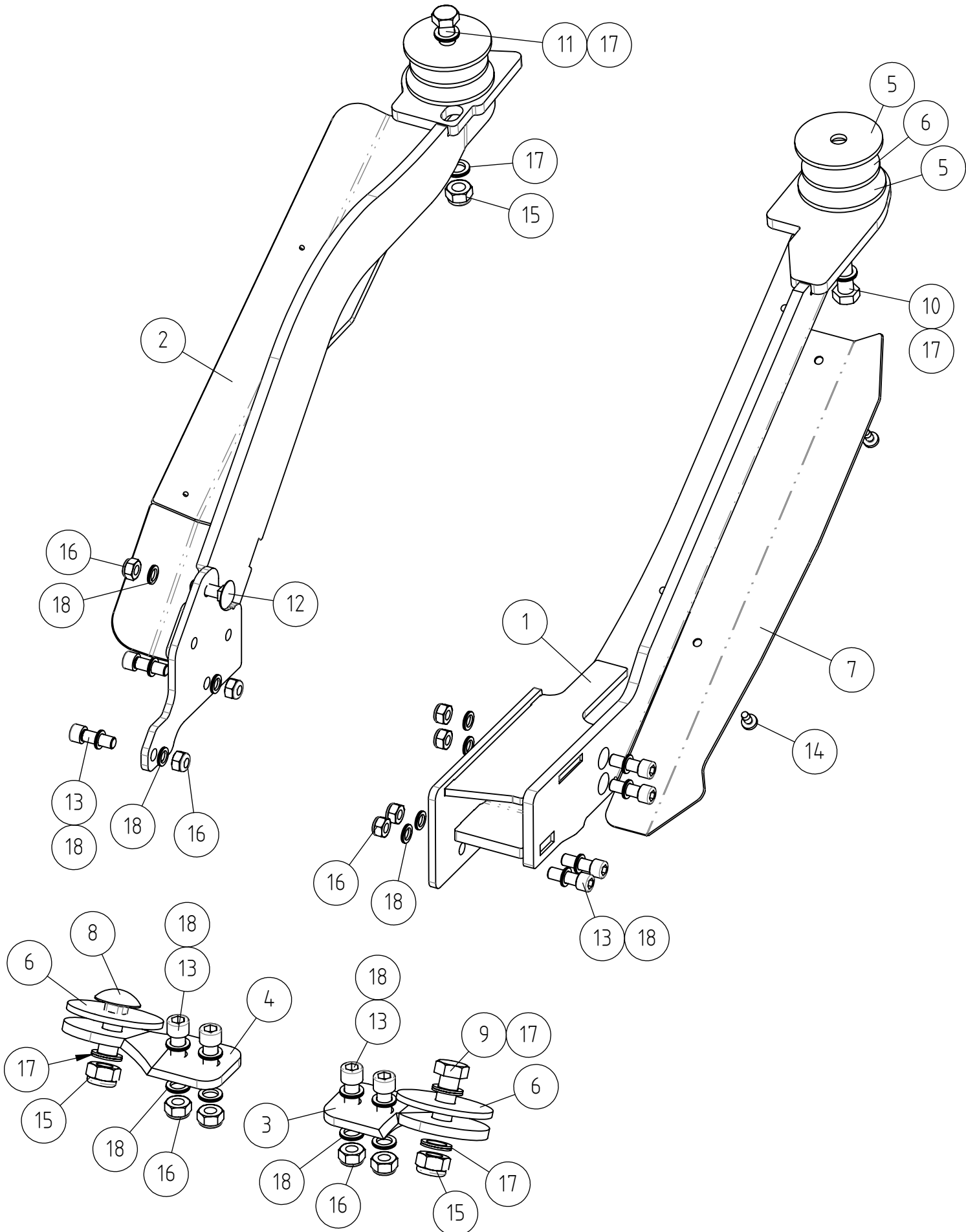
2.2.2024

A438246 HEATER ASSEMBLY CAB GT

REF	PART NO	QTY	DESCRIPTION	NOTES	PAGE
1	A434046	1	HOUSING, HEATER CAB GT		-
2	A438010	1	HEATER CAB GT KOOL E 12V		-
3	A434672	1	HOUSING AIR FILTER CAB		-
4	A422597	1	AIR FILTER CARTRIDGE CAB		-
5	A434090	1	HOSE HEATER CAB GT		-
6	A438253	1	COVER PLATE HEATER CHANNEL CAB GT		-
7	A434302	3	GROMMET F32/25/19 60SH		-
8	A434303	1	INLET HOSE HEATER CAB GT		-
9	A434304	1	RETURN HOSE HEATER CAB GT		-
10	A436401	1	LID HEATER CAB GT		-
12	A436387	1	HOSE FITTING 40MM		-
13	A438219	1	ISOLATION PLATE HEATER CHANNEL CAB GT		-
14	65514	1	THERMOSTAT, HEATER, CAB		-
15	A436549	1	NOZZLE 60MM AIR FLOW CAB GT		-
16	A437682	1	FRAME, HEATER ADJUSTMENT KNOB CAB GT		-
17	A436290	1	WIRE HARNESS HEATER/AIRCON CAB GT		-
18	A436550	12	PAN HEAD MACHINE SCREW M3,9*9,5		-
19	75172	2	SPEED NUT M5 FOR 0.5-4.0 MM PLATE		-
20	74771	2	PAN HEAD MACHINE SCREW M5* 25		-
21	A430277	16	TORX SCREW M4*12		-
22	75128	4	THREAD-FORMING SCREW M8*25 DIN 7500C		-
23	65849	2	PLUG OVAL 20X50		-
24	66034	1	RUBBER PLUG F35/F25-10 S=3		-
25	A438250	1	RUBBER PLUG D28/D21 S=3 60SH		-
26	A438229	4	HOSE CLAMP D23		-

2.2.2024

A442729 SUBFRAME CAB GT



177/232

2.2.2024

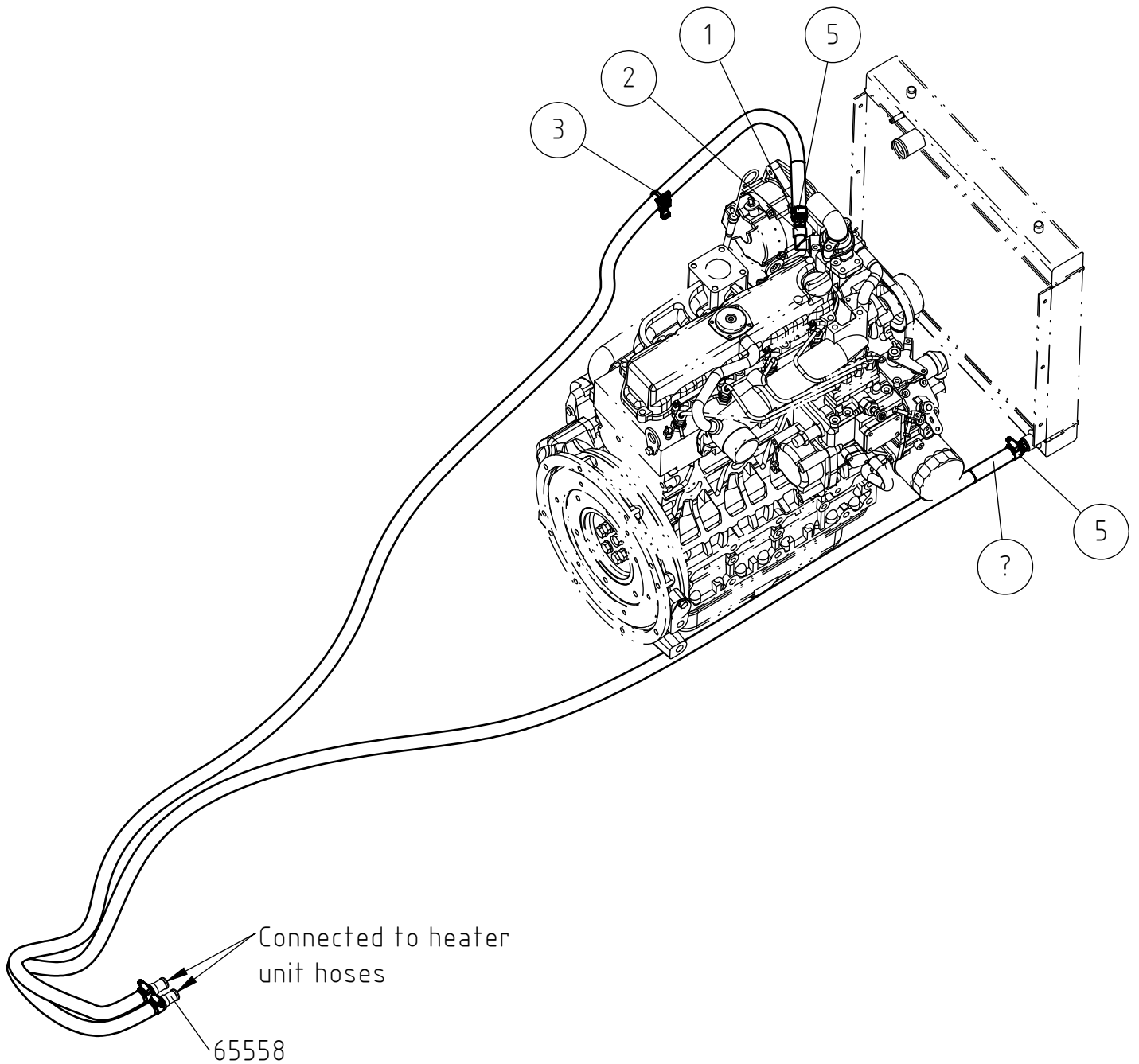
A442729 SUBFRAME CAB GT

REF	PART NO	QTY	DESCRIPTION	NOTES	PAGE
1	A452292	1	MOUNTING BRACKET LEFT SUBFRAME CAB GT		-
2	A452289	1	MOUNTING BRACKET RIGHT SUBFRAME CAB GT		-
3	A445439	1	MOUNTING PLATE LEFT CAB		-
4	A445639	1	MOUNTING PLATE RIGHT CAB		-
5	A438392	4	WASHER SUBFRAME CAB GT		-
6	A442463	4	RUBBER WASHER SUBFRAME CAB GT		-
7	A446409	1	COVER PANEL LEFT SUBFRAME CAB GT		-
8	74404	1	CARRIAGE BOLT M16*45 DIN603		-
9	72192	1	HEXAGONAL SCREW M16*45 DIN 933		-
10	72193	1	HEXAGONAL SCREW M16* 50 DIN 933		-
11	73569	1	HEXAGONAL SCREW M16* 60 DIN 933		-
12	74915	1	CARRIAGE BOLT M12*40 DIN603		-
13	74876	10	HEXAGONAL HEAD SCREW M12*35 DIN912		-
14	A465214	2	THREAD-FORMING SCREW M8*16 DIN 7500-PE		-
15	72330	3	HEXAGONAL NUT M16 NYLOC DIN 985		-
16	72324	11	HEXAGONAL NUT M 12 NYLOC DIN 985		-
17	74533	6	WASHER, PAIR, M16 NL16 NORDLOCK		-
18	74532	21	WASHER NORDLOCK NL12		-

178/232

2.2.2024

A465346 HEATER HOSES IN ENGINE COMPARTMENT



2.2.2024

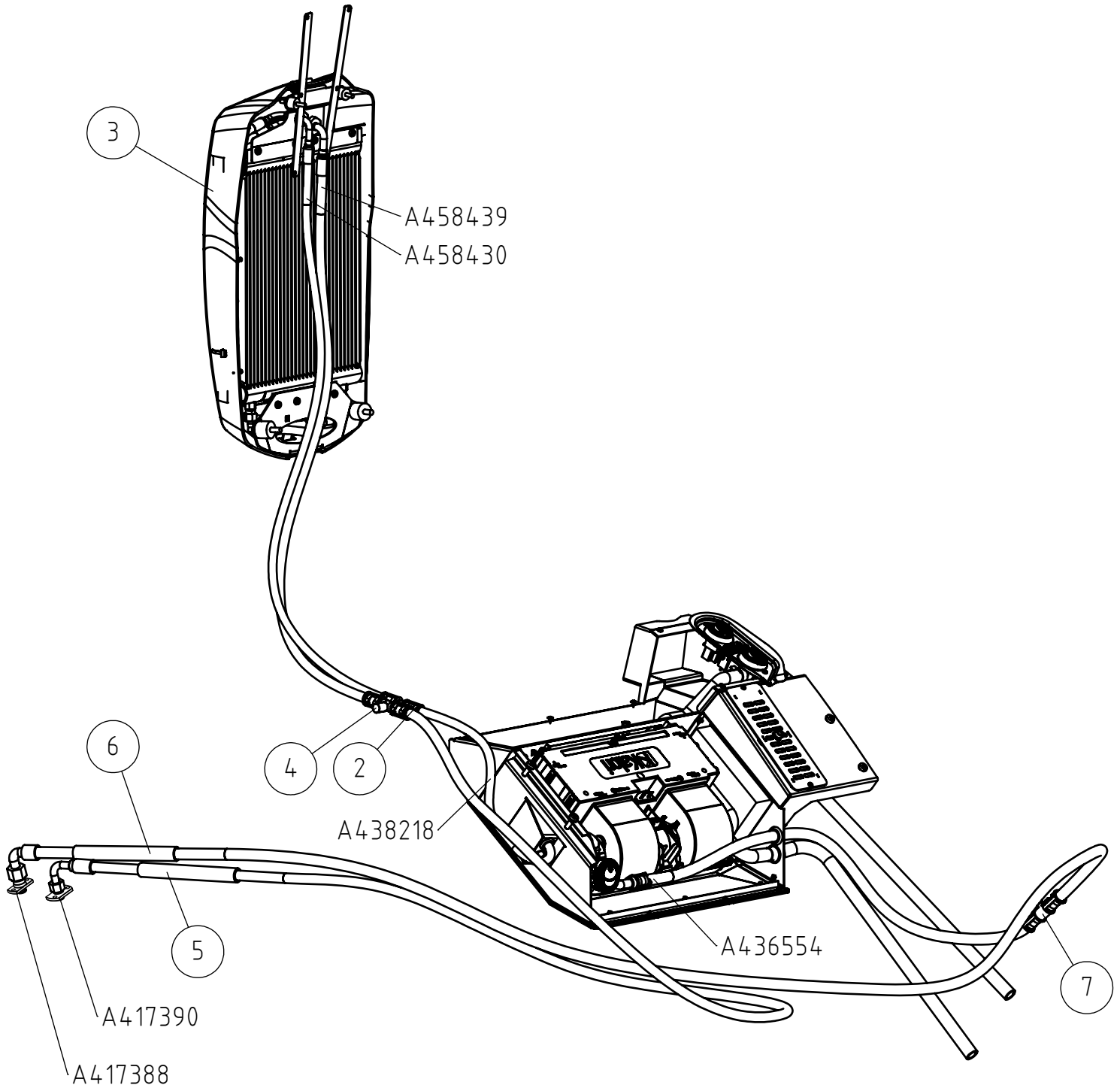
A465346 HEATER HOSES IN ENGINE COMPARTMENT

REF	PART NO	QTY	DESCRIPTION	NOTES	PAGE
1	64967	2	HOSE BARB R3/8"UK - 16MM L=44		-
2	65480	1	ELBOW FITTING 90 DEGR. 22 38 38		-
3	A442639	1	CABLE TIE 7,6*390 M6 BLACK		-
4	A457826	2	WATER HOSE L=2950 RADIATOR - CAB		-
5	64337	4	HOSE CLAMP 19-28 MM ABA		-

180/232

2.2.2024

A450869 AIR CONDITIONING ASSEMBLY CAB GT



2.2.2024

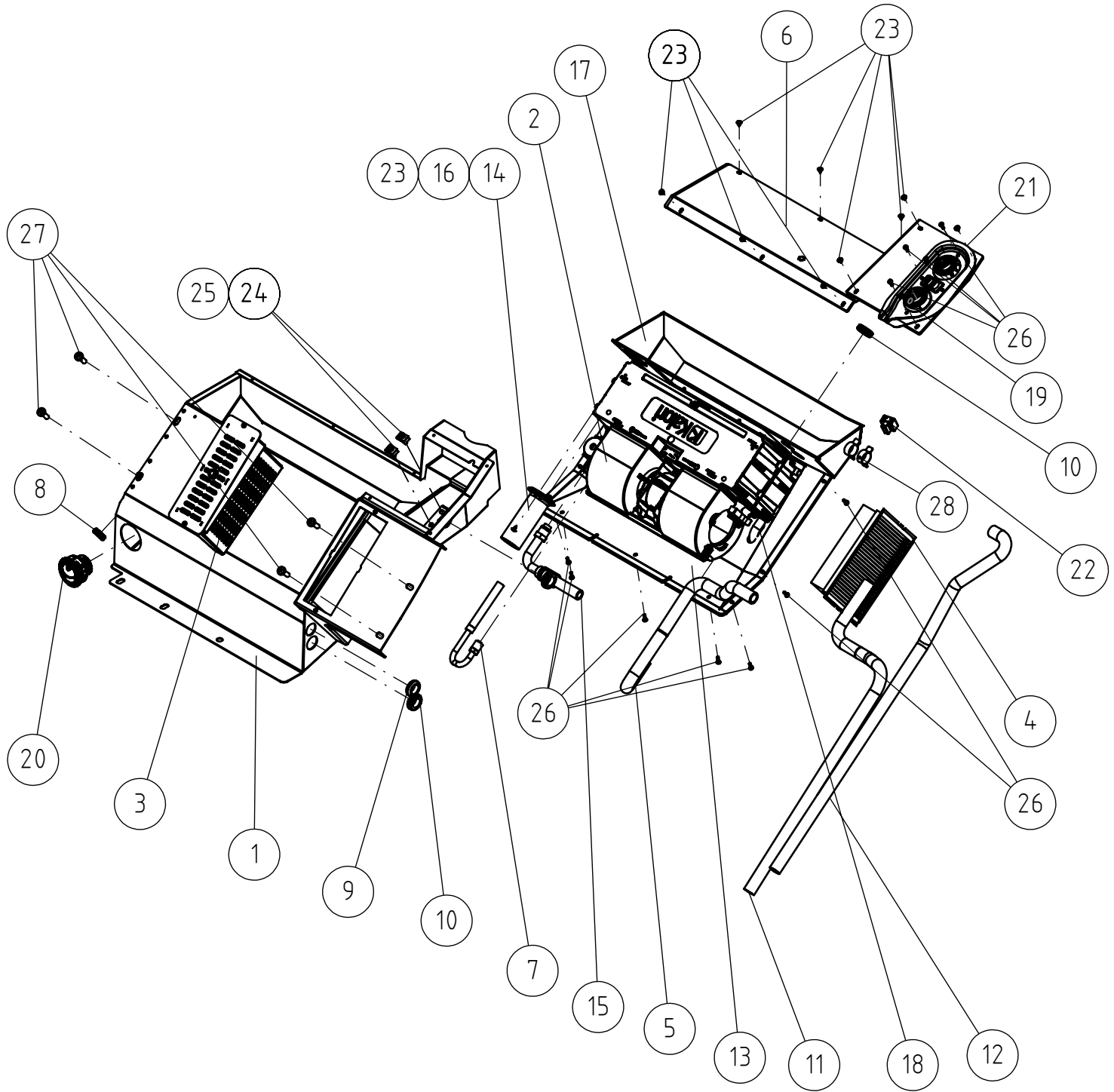
A450869 AIR CONDITIONING ASSEMBLY CAB GT

REF	PART NO	QTY	DESCRIPTION	NOTES	PAGE
1	A434047	1	HEATER MODULE CAB GT		184
2	A450870	1	FITTING COOLANT A/C		-
3	A449155	1	CONDENSER WITH RECEIVER DRIER A/C CAB GT		186
4	66173	1	HOSE FITTING M08 KALORI		-
5	A456720	1	HOSE A/C L=3100 M8		-
6	A456717	1	HOSE A/C L=2710 M10		-
7	66174	1	HOSE FITTING M10 KALORI		-

182/232

2.2.2024

A434047 HEATER MODULE CAB GT



2.2.2024

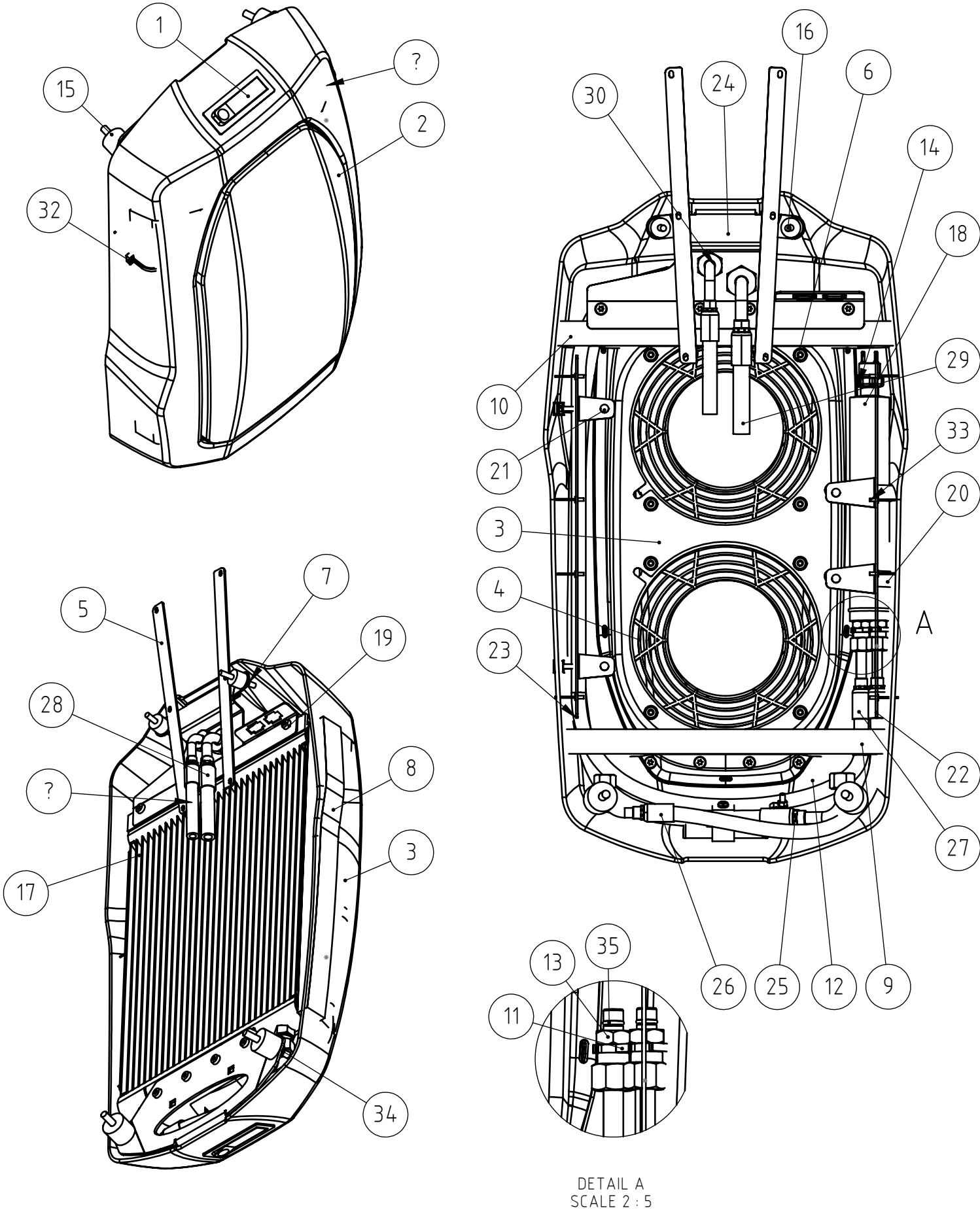
A434047 HEATER MODULE CAB GT

REF	PART NO	QTY	DESCRIPTION	NOTES	PAGE
1	A434046	1	HOUSING, HEATER CAB GT		-
2	A436383	1	HEATER CAB GT 6,6/4,5 KW KOOL KOMBI E		-
3	A434672	1	HOUSING AIR FILTER CAB		-
4	A422597	1	AIR FILTER CARTRIDGE CAB		-
5	A434090	1	HOSE HEATER CAB GT		-
6	A434450	1	COVER PLATE HEATER CHANNEL CAB GT		-
7	A438218	1	REFRIGERANT HOSE L=900 ASSEMBLY		-
8	65525	1	GROMMET F27/21/13		-
9	65526	1	GROMMET F32/25/19		-
10	A434302	3	GROMMET F32/25/19 60SH		-
11	A434303	1	INLET HOSE HEATER CAB GT		-
12	A434304	1	RETURN HOSE HEATER CAB GT		-
13	A436401	1	LID HEATER CAB GT		-
15	A436554	1	REFRIGERANT HOSE HEATER CAB GT		-
16	A436387	1	HOSE FITTING 40MM		-
17	A438219	1	ISOLATION PLATE HEATER CHANNEL CAB GT		-
18	A413467	2	WATER HOSE, CONDENSATION WASSER		-
19	65514	1	THERMOSTAT, HEATER, CAB		-
20	A436549	1	NOZZLE 60MM AIR FLOW CAB GT		-
21	A437682	1	FRAME, HEATER ADJUSTMENT KNOB CAB GT		-
22	A436290	1	WIRE HARNESS HEATER/AIRCON CAB GT		-
23	A436550	12	PAN HEAD MACHINE SCREW M3,9*9,5		-
24	75172	2	SPEED NUT M5 FOR 0.5-4.0 MM PLATE		-
25	74771	2	PAN HEAD MACHINE SCREW M5* 25		-
26	A430277	16	TORX SCREW M4*12		-
27	75128	4	THREAD-FORMING SCREW M8*25 DIN 7500C		-
28	A438229	4	HOSE CLAMP D23		-

184/232

2.2.2024

A449155 CONDENSER WITH RECEIVER DRIER A/C CAB GT



DETAIL A
SCALE 2 : 5

2.2.2024

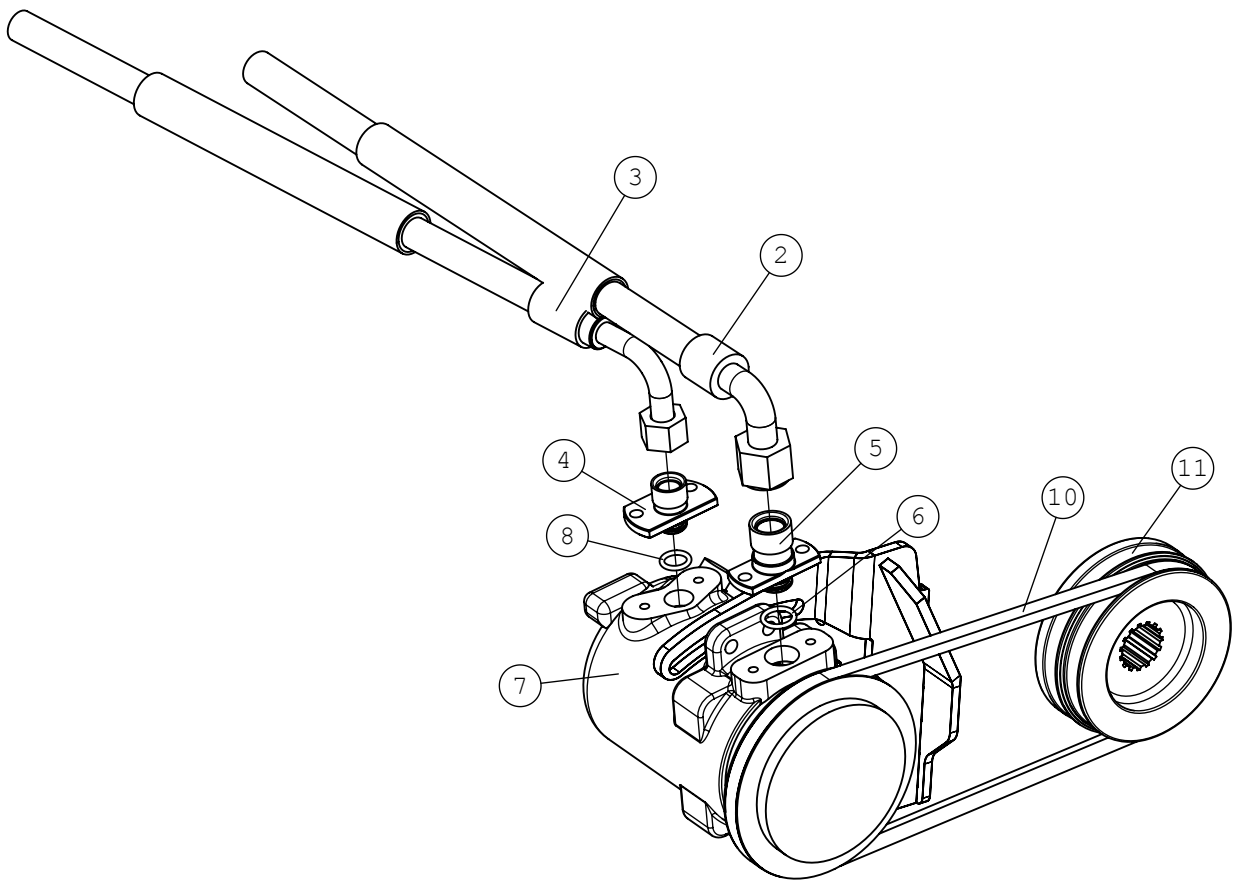
A449155 CONDENSER WITH RECEIVER DRIER A/C CAB GT

REF	PART NO	QTY	DESCRIPTION	NOTES	PAGE
1	65085	1	LATCH		-
2	A445944	1	PROTECTIVE MESH COVER PANEL CONDENSER		-
3	A445947	1	HOUSING CONDENSER A/C CAB GT		-
4	64778	2	FAN 12VDC F190		-
5	A447841	2	SUPPORT ROD COVER PANEL C PILLAR CAB GT		-
6	A449842	9	HEXAGONAL HEAD SCREW M6*16 10.9		-
7	72318	14	HEXAGONAL NUT M 6 DIN 985 NYLOC		-
8	A446529	2	SEAL SIDE CONDENSER A/C		-
9	A446531	1	SEAL LOWER CONDENSER A/C		-
10	A446533	1	SEAL UPPER CONDENSER A/C		-
11	A446555	1	BRACKET HOSE NIPPLE A/C CAB GT		-
12	A445771	1	MOUNTING BRACKET LOWER CONDENSER A/C		-
13	A445712	2	HOSE NIPPLE RECEIVER DRIER A/C CAB GT		-
14	A445557	1	PRESSURE SWITCH HP 26,5 BAR / LP 2 BAR		-
15	A437449	2	VIBRATION DAMPER RUBBER 30/25/20 M8		-
16	A445490	2	VIBRATION DAMPER D20X15		-
17	A445709	1	CONDENSER A/C CAB GT		-
18	A445301	1	RECEIVER DRIER A/C CAB GT		-
19	A444170	8	THREAD-FORMING SCREW M6*12 DIN 7500CE		-
20	A445508	2	PIPE CLAMP D38 M8		-
21	A446561	4	PRESS-IN SCREW M6*15		-
22	A447781	1	MOUNTING PLATE RECEIVER DRIER A/C		-
23	A447823	1	MOUNTING PLATE HOSES CONDENSER A/C CAB		-
24	A447824	1	MOUNTING BRACKET UPPER CONDENSER A/C		-
25	A447869	2	HOSE FITTING 90° M0808 REFRIGERANT		-
26	A447867	2	HOSE FITTING 90° M0606 REFRIGERANT		-
27	A447959	2	HOSE FITTING STRAIGHT M0606 REFRIGERANT		-
28	A447955	1	HOSE FITTING 08 90° REFRIGERANT		-
29	A450085	1	HOSE 08 A/C CAB GT		-
30	A447957	1	HOSE FITTING 06 90° REFRIGERANT		-
31	A450084	1	HOSE 06 A/C CAB GT		-
32	A442639	2	CABLE TIE 7,6*390 M6 BLACK		-
33	A448802	8	BLIND RIVET 3,0*8,0		-
34	72320	2	HEXAGONAL NUT M8 NYLOC DIN 985		-
35	A449800	2	O-RING D7,28X1,78		-

186/232

2.2.2024

A37135 COMPRESSOR, ASSEMBLY, A/C 600 SERIES



2.2.2024

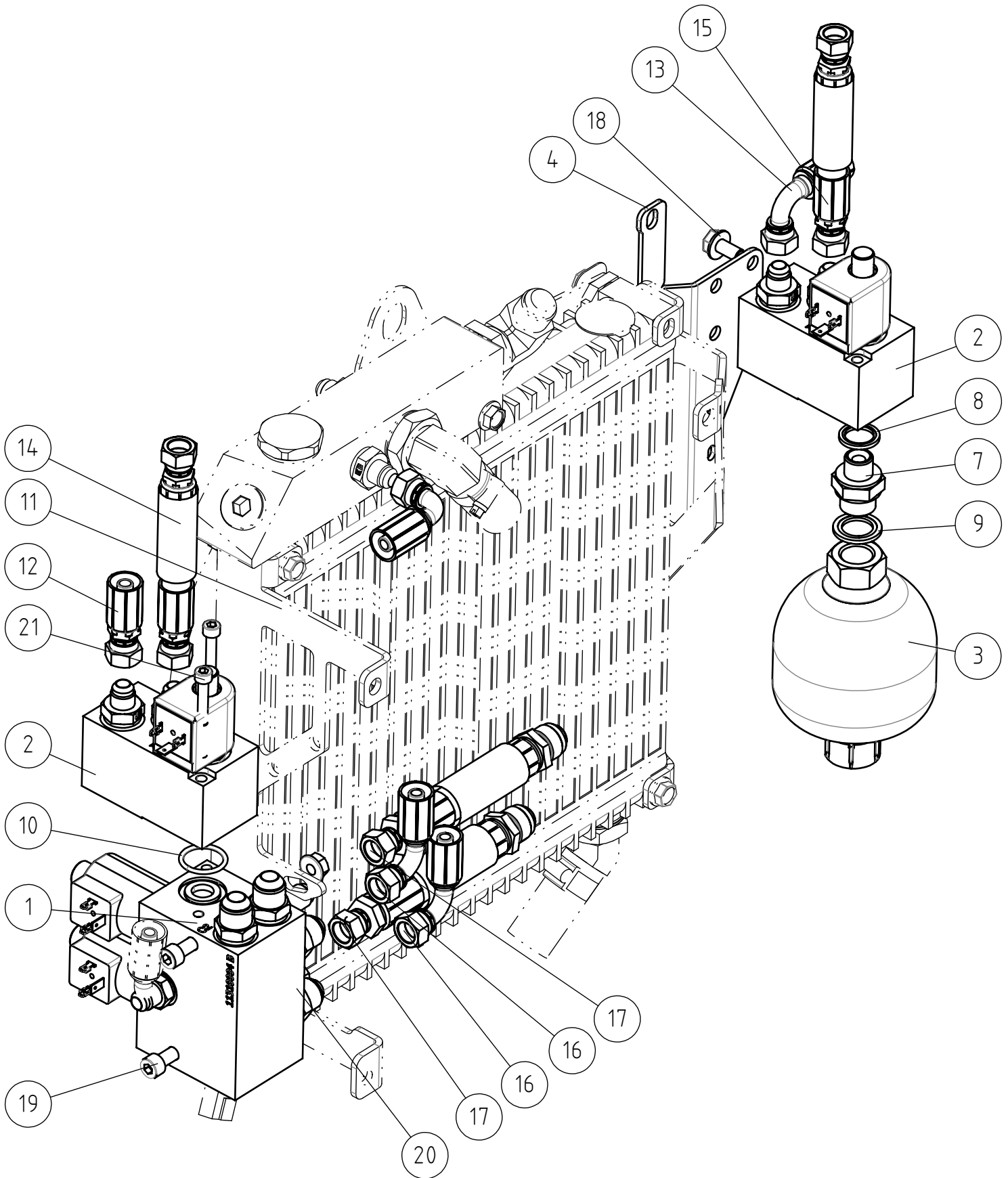
A37135 COMPRESSOR, ASSEMBLY, A/C 600 SERIES

REF	PART NO	QTY	DESCRIPTION	NOTES	PAGE
1	A36022	1	MOUNTING BRACKET, COMPRESSOR A/C		-
2	A420552	1	HOSE, A/C L=4500 M10		-
3	A420553	1	HOSE, A/C L=4500 M8		-
4	A417390	1	HOSE FITTING, A/C		-
5	A417388	1	HOSE FITTING, A/C		-
6	65531	1	O-RING KALORI 700.06.109		-
7	65515	1	COMPRESSOR, AIR CONDITIONING		-
7.1	A431604	1	TEMPERATURE SWITCH COMPRESSOR AC		-
8	65532	1	O-RING KALORI 700.06.110		-
9	A414503	1	ADJUSTMENT PLATE, COMPRESSOR A/C		-
10	65572	1	V-BELT SPZ760		-
11	A414540	1	V BELT PULLEY, DOUBLE		-

188/232

2.2.2024

A450647 SMOOTH DRIVE - BOOM SUSPENSION 800



2.2.2024

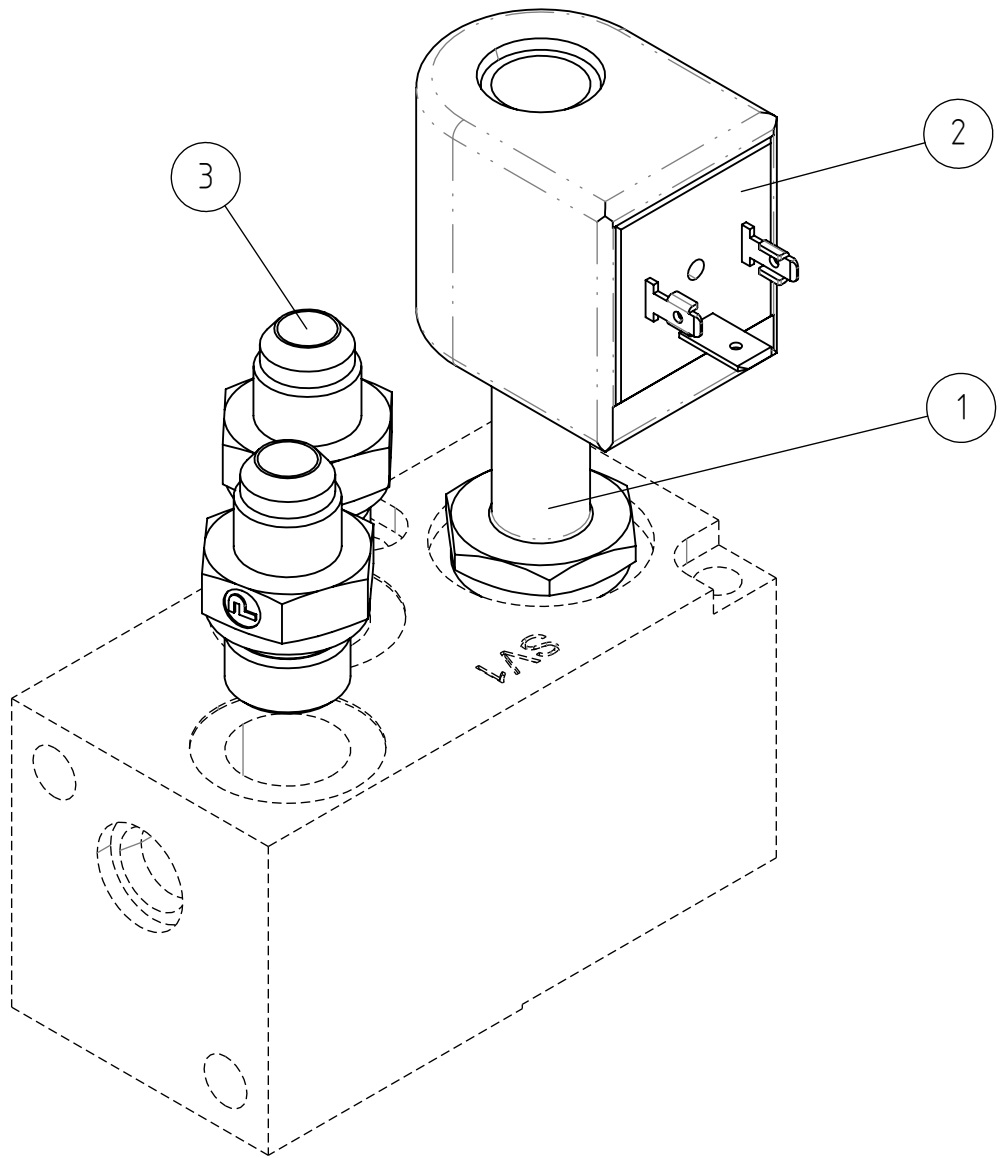
A450647 SMOOTH DRIVE - BOOM SUSPENSION 800

REF	PART NO	QTY	DESCRIPTION	NOTES	PAGE
1	A449741	1	DIRECTIONAL VALVE ASSEMBLY BOOM FLOAT &		26
2	A449669	2	SOLENOID VALVE 2/2		192
3	65732	1	ACCUMULATOR 0,32L G1/2"		-
4	A449902	1	MOUNTING BRACKET ACCUMULATOR		-
5	A440277	1	WIRE HARNESS SMOOTH DRIVE, TO VALVES		-
6	A437190	1	SWITCH SMOOTH DRIVE		-
7	73408	1	REDUCTOR NIPPLE R3/8"-1/2"		-
8	73379	1	USIT-COMPRESSION 3/8"		-
9	73047	1	USIT SEAL RING R/12"		-
10	A450398	1	O-RING D23.47X2.62		-
11	A450400	1	HYDR. HOSE L=500		-
12	A445697	1	HYDR. HOSE L=1100		-
13	A450675	1	HYDR. HOSE L=380		-
14	A450676	1	HYDR. HOSE L=1950		-
15	A450677	1	HYDR. HOSE L=1750		-
16	A450678	2	HYDR. HOSE L=1000		-
17	A450679	2	HYDR. HOSE L=1700		-
18	A429200	2	HEXAGONAL SERRATED SCREW M8*16 WITH		-
19	A442472	2	HEXAGONAL HEAD SCREW M8*70 DIN 912 8.8		-
20	74782	2	HEXAGONAL NUT M8 WITH FLANGE		-
21	74478	2	HEXAGONAL HEAD SCREW M6* 55		-

190/232

2.2.2024

A449669 SOLENOID VALVE 2/2



2.2.2024

A449669 SOLENOID VALVE 2/2

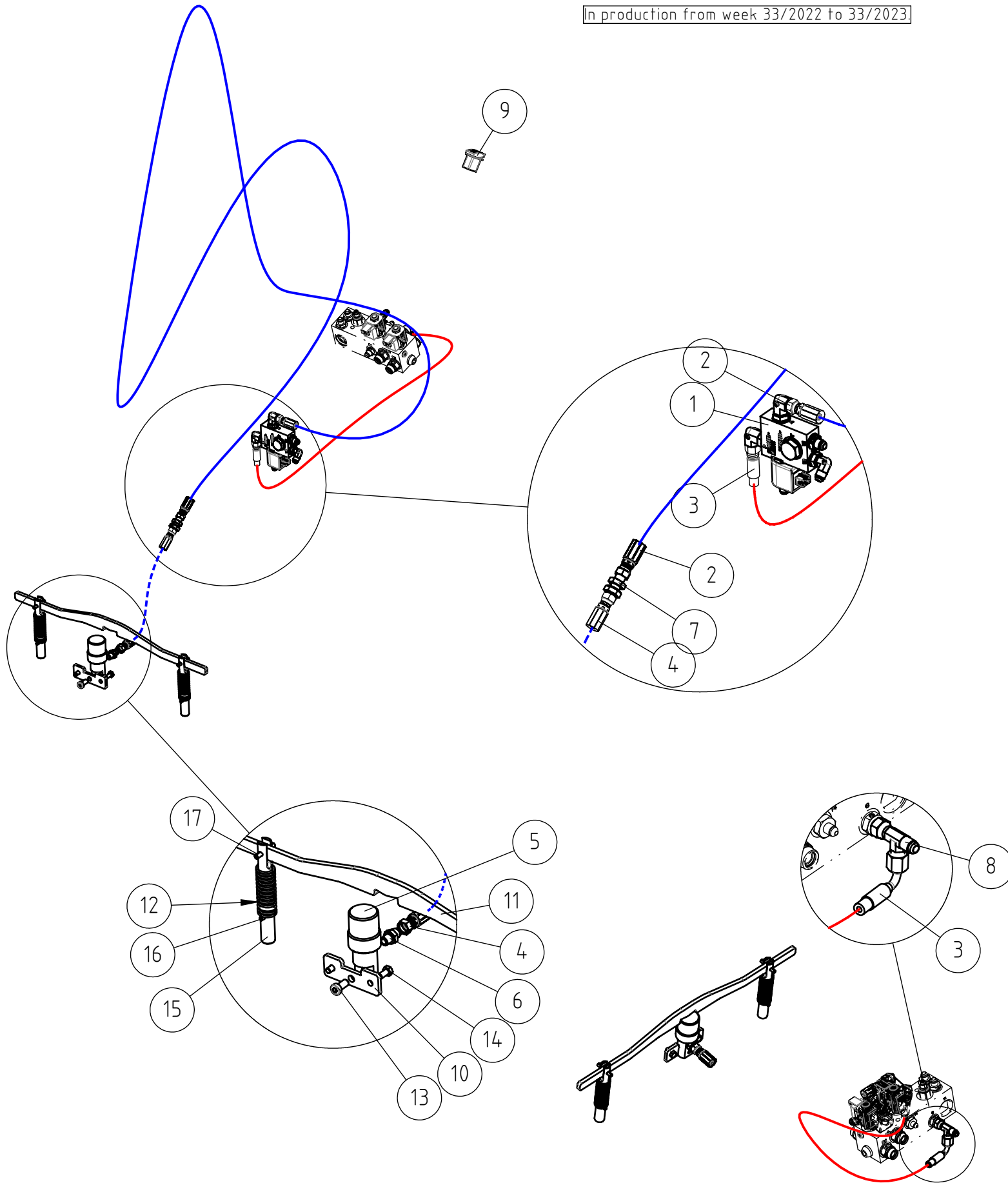
REF	PART NO	QTY	DESCRIPTION	NOTES	PAGE
1	A449737	1			-
2	A449739	1			-
3	64041	2	BASIC FITTING F40XS10-3/8 /8		-

192/232

2.2.2024

A453186 HYDRAULIC QUICK ATTACH PLATE 800 SERIES

In production from week 33/2022 to 33/2023



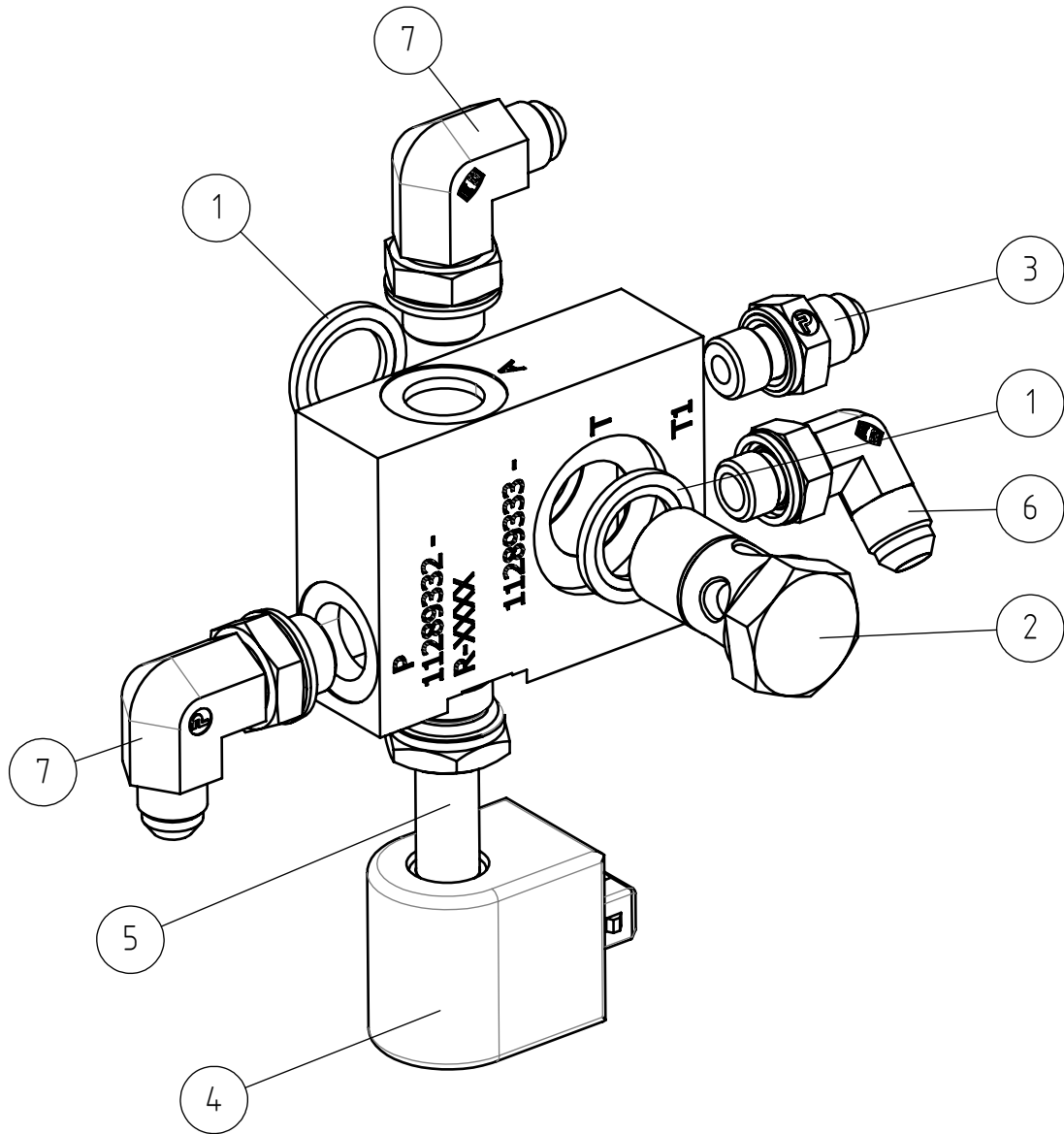
2.2.2024

A453186 HYDRAULIC QUICK ATTACH PLATE 800 SERIES

REF	PART NO	QTY	DESCRIPTION	NOTES	PAGE
1	A449703	1	VALVE ASSEMBLY HYDR. ATTACHMENT COUPLING		196
2	A453223	1	HYDR. HOSE L=6100		-
3	A424830	1	HYDR. HOSE L=1000		-
4	A430203	1	HYDR. HOSE L=400		-
5	A425700	1	HYDRAULIC CYLINDER F35/F35-30		-
6	64059	1	BASIC FITTING F40XS10-1/4		-
7	65202	1	LEAD-THROUGH FITTING WTX-WLNS10		-
8	64078	1	L-FITTING BODY R6XS10		-
9	A430996	1	CONTROL SWITCH, HYDR ATTACHMENT COUPLING		-
10	A424829	1	MOUNTING BRACKET CYLINDER HYD QUICK ATTA		-
11	A424886	1	ROD HYDR. ATTACHMENT COUPLING		-
12	A430549	2	COMPRESSION SPRING		-
13	74752	1	HEXAGONAL HEAD SCREW M10*20 DIN 7984 ZN		-
14	73039	2	HEXAGONAL SCREW M 8*16 DIN 933 ZN		-
15	A410803	2	LOCKING PIN F20, HYDR. ATTACHM COUPLING		-
16	73661	2	SPRING PIN 5*30 DIN 1481		-
17	71793	2	SPRING COTTER PIN 6 * 40		-

194/232

A449703 VALVE ASSEMBLY HYDR. ATTACHMENT COUPLING



2.2.2024

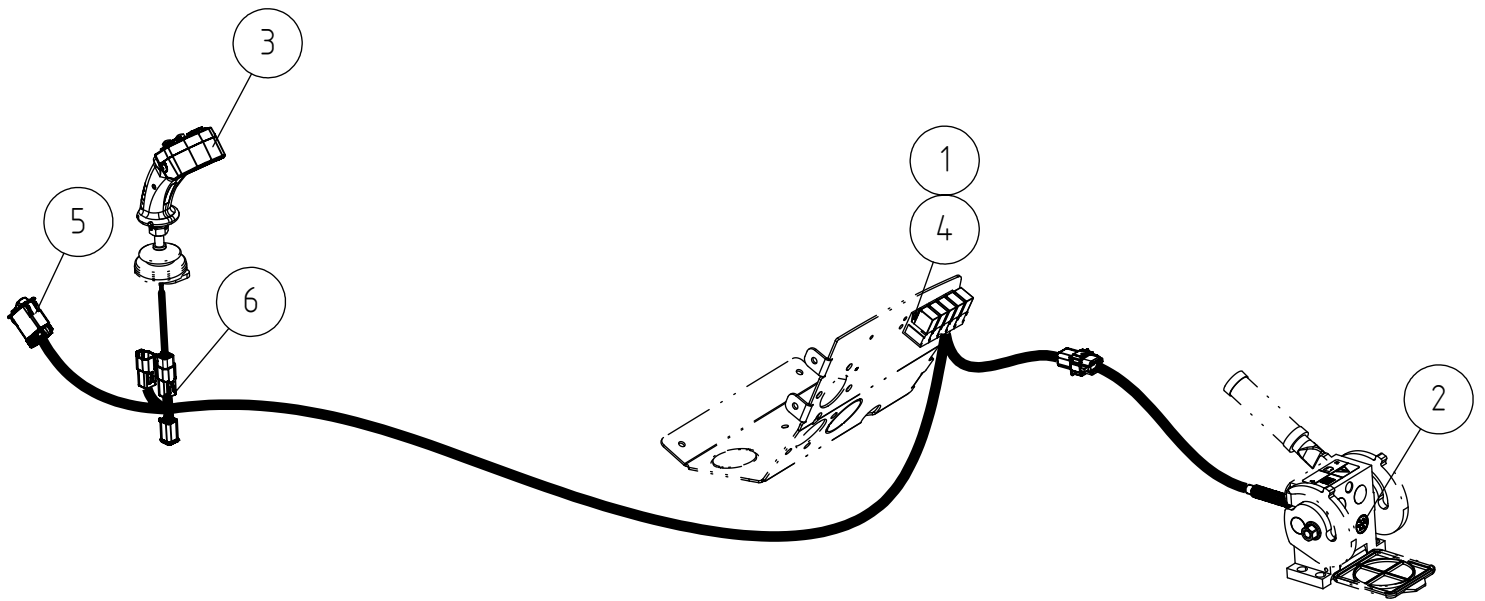
A449703 VALVE ASSEMBLY HYDR. ATTACHMENT COUPLING

REF	PART NO	QTY	DESCRIPTION	NOTES	PAGE
1	73047	2	USIT SEAL RING R/12"		-
2	73959	1	BANJO BOLT R 1/2"		-
3	64059	1	BASIC FITTING F40XS10-1/4		-
4	A449743	1	SOLENOID 12V/20W		-
5	A449744	1			-
6	64087	1	ELBOW FITTING 90 DEGR. /4#		-
7	64044	2	ELBOW FITTING 90° C40XS10-3/8 /8		-

196/232

2.2.2024

A454220 ATTACHMENT CONTROL SWITCH PACK



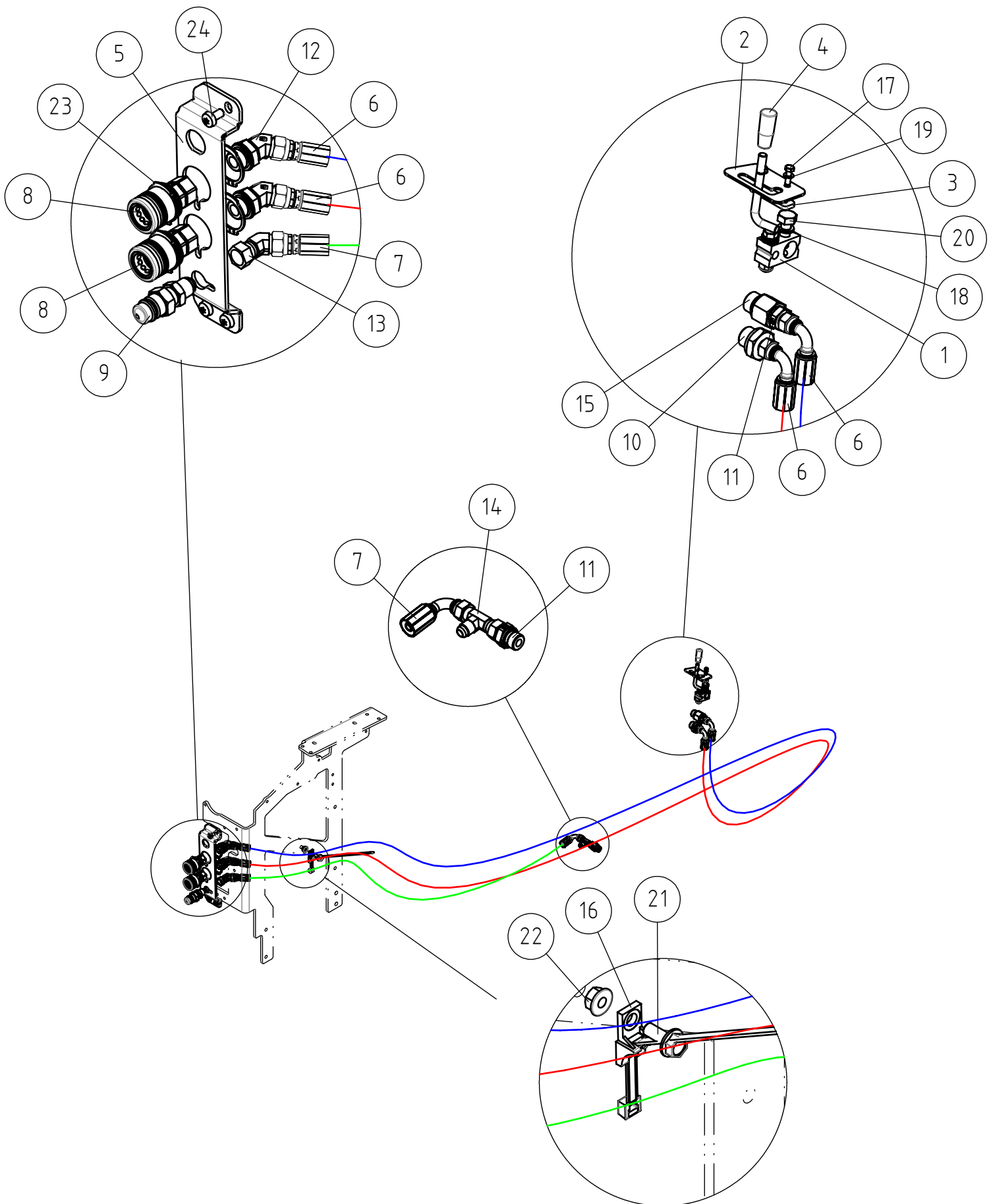
2.2.2024

A454220 ATTACHMENT CONTROL SWITCH PACK

REF	PART NO	QTY	DESCRIPTION	NOTES	PAGE
1	A453081	2	HEXAGONAL NUT M5 DIN 6923		-
2	A445751	1	CONNECTING CABLE OPTICONTROL L=3800		-
3	A34716	1	SWITCH PACK		-
3.1	65431	1	ROCKER SWITCH 0-1, BLACK, 180.1146		-
3.2	65408	2	ROCKER SWITCH, BLACK, JOYSTICK		-
4	75160	2	HEXAGONAL SCREW M5*10 DIN 933		-
5	A437343	1	ROCKER SWITCH OPTICONTROL		-
6	A449852	1	WIRE HARNESS OPTICONTROL		-
6.1	A438175	5	RELAY 12V/30A		-

2.2.2024

A450467 AUX. HYDRAULICS OUTLET REAR DOUBLE



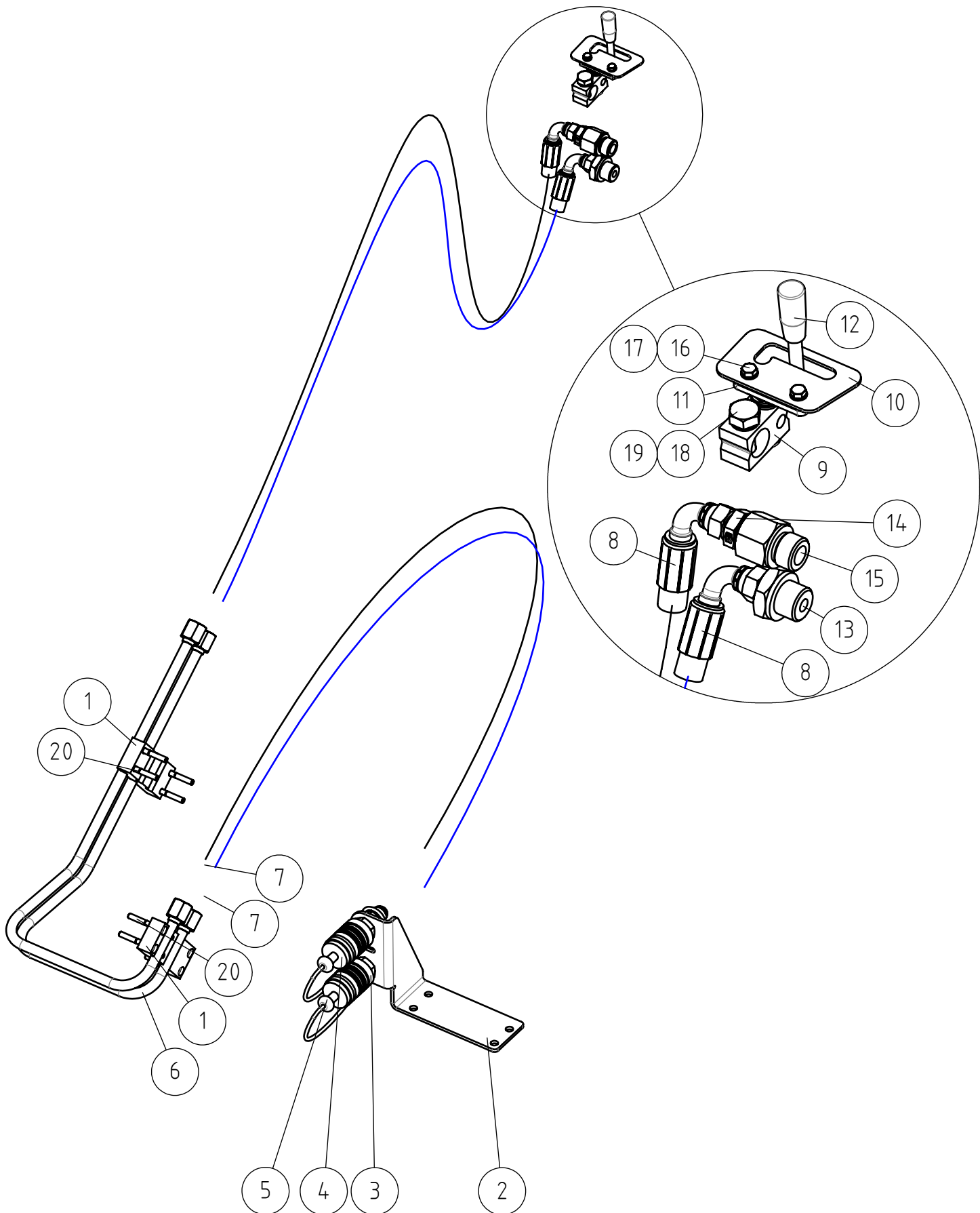
2.2.2024

A450467 AUX. HYDRAULICS OUTLET REAR DOUBLE

REF	PART NO	QTY	DESCRIPTION	NOTES	PAGE
1	A436758	1	CONTROL LEVER REAR AUX. HYDRAULICS,		-
2	A441528	1	LOCKING PLATE CONTROL LEVER AUXILIARY		-
3	A48360	1	LOCKING PIECE		-
4	74761	1	KNOB, CONTROL LEVER		-
5	A435340	1	MOUNTING BRACKET QUICK COUPLERS REAR		-
6	A451601	2	HYDR. HOSE L=3100		-
7	A429507	1	HYDR. HOSE L=1600		-
8	A444063	2	QUICK COUPLER 1/2" (FEMALE)		-
9	64189	1	QUICK COUPLING MALE UNION 1/2" 4V14-T5X4		-
10	64040	1	BASIC FITTING F40XS10-1/2 /2		-
11	64041	2	BASIC FITTING F40XS10-3/8 /8		-
12	65275	2	ELBOW FITTING 45 DEGR. V40XS12-1/2		-
13	64884	1	ELBOW FITTING 45 DEGR. V6SX12		-
14	64078	1	L-FITTING BODY R6XS10		-
15	73958	1	REDUCER FITTING RI 1/2" - EDX 3/8"		-
16	A442641	1	CABLE TIE 7,6*390 M8 BLACK		-
17	72110	2	HEX. SCREW M5*16 DIN 933		-
18	74531	1	SPACER NORDLOCK M10, PAIR		-
19	74448	2	WASHER M5 A5,3 DIN 125 ZN		-
20	72151	1	HEXAGONAL SCREW M10*30 DIN 933 ZN		-
21	A429201	1	HEXAGONAL SERRATED SCREW M8*20 WITH		-
22	A450046	1	HEXAGONAL NUT M8 WITH FLANGE		-
23	74769	4	SEEGER RING A 38*1,75 DIN 471		-
24	A442270	3	THREAD-FORMING SCREW M8*16 DIN 7500C		-

200/232

A450468 EXTRA AUX. HYDRAULICS OUTLET FRONT,



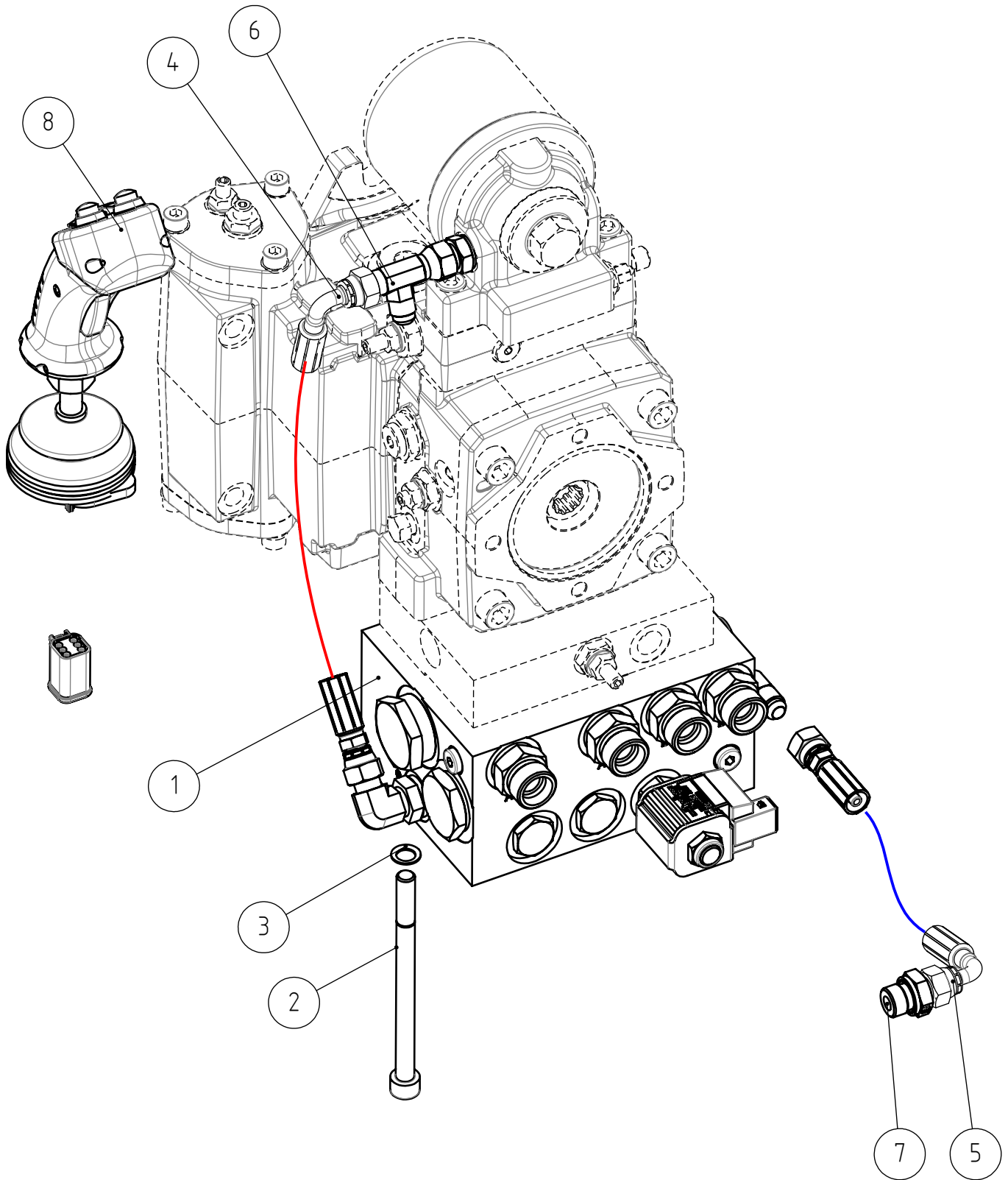
2.2.2024

A450468 EXTRA AUX. HYDRAULICS OUTLET FRONT,

REF	PART NO	QTY	DESCRIPTION	NOTES	PAGE
1	A414870	2	PIPE CLAMP F12		-
2	A422154	1	MOUNTING PLATE, QUICK COUPLERS EXTRA		-
3	64190	2	QUICK COUPLING PART 1/2" 2V54-T5X4 FEMAL		-
4	73754	1	RUBBER PLUG 1/2", TO FEMALE QUICK COUPLE		-
5	65566	1	RUBBER PLUG BLUE 1/2", QUICK COUPLING		-
6	A414928	2	HYDRAULIC TUBE F12		-
7	A414877	2	HYDR. HOSE L=1300		-
8	A47638	2	HYDR. HOSE L=1610 2LW-06		-
9	A436758	1	CONTROL LEVER REAR AUX. HYDRAULICS,		-
10	A441528	1	LOCKING PLATE CONTROL LEVER AUXILIARY		-
11	A48360	1	LOCKING PIECE		-
12	74761	1	KNOB, CONTROL LEVER		-
13	64040	1	BASIC FITTING F40XS10-1/2 /2		-
14	64041	1	BASIC FITTING F40XS10-3/8 /8		-
15	73958	1	REDUCER FITTING RI 1/2" - EDX 3/8"		-
16	72110	2	HEX. SCREW M5*16 DIN 933		-
17	74448	2	WASHER M5 A5,3 DIN 125 ZN		-
18	72151	1	HEXAGONAL SCREW M10*30 DIN 933 ZN		-
19	74531	1	SPACER NORDLOCK M10, PAIR		-
20	74438	8	HEXAGONAL HEAD SCREW M6*40 DIN 912		-

202/232

A434868 ANTI SLIP VALVE 800 SERIES OPTIDRIVE



2.2.2024

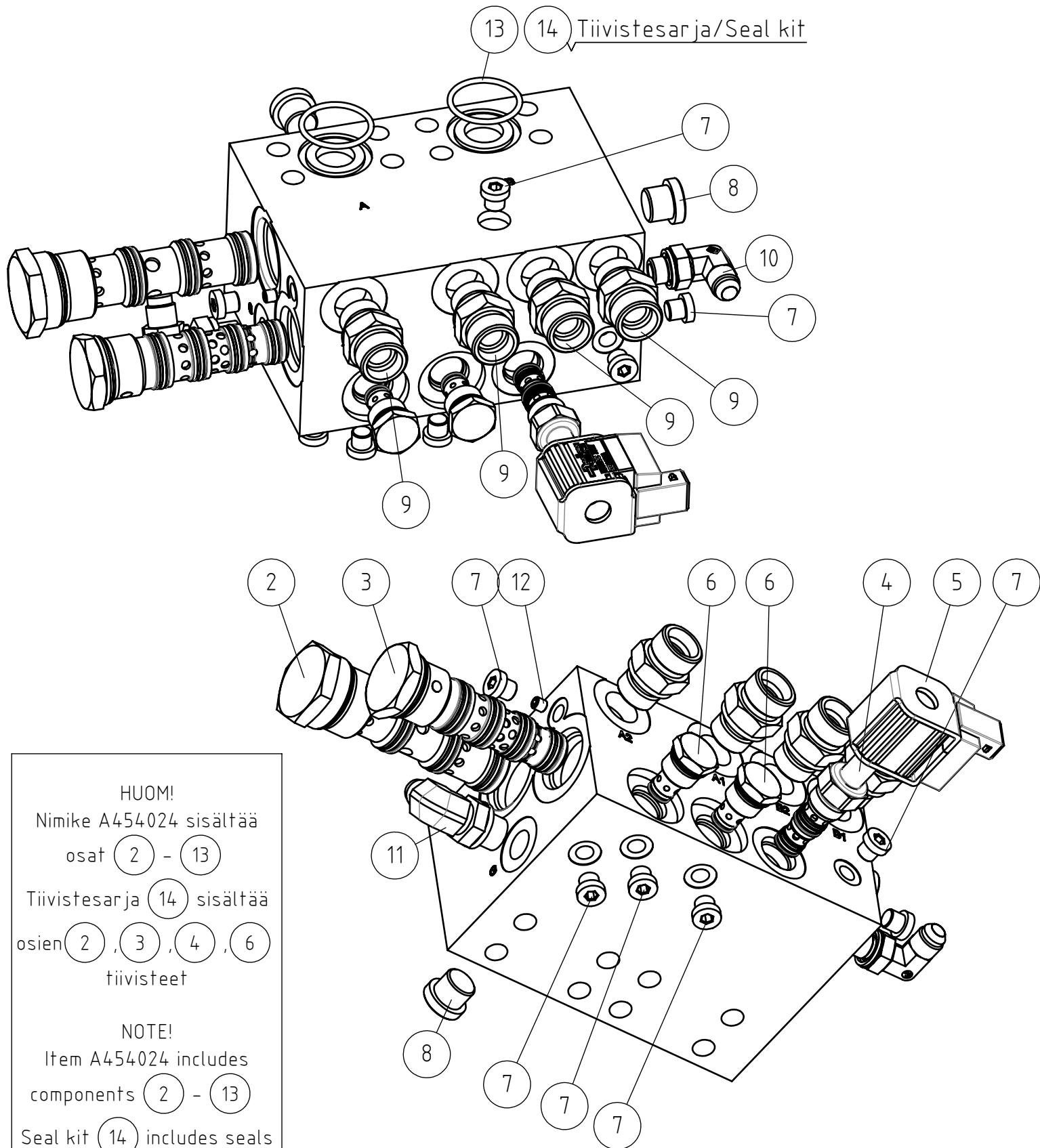
A434868 ANTI SLIP VALVE 800 SERIES OPTIDRIVE

REF	PART NO	QTY	DESCRIPTION	NOTES	PAGE
1	A454024	1	HYDRAULIC MANIFOLD ANTI SLIP VALVE		206
2	75122	8	HEXAGONAL HEAD SCREW M10*140 12.9 DIN912		-
3	A434424	8	SAFETY WASHER M10 3/8"		-
4	A410094	1	HYDR. HOSE L=350		-
5	A410096	1	HYDR. HOSE L=450		-
6	64078	1	L-FITTING BODY R6XS10		-
7	64041	1	BASIC FITTING F40XS10-3/8 /8		-
8	A435400	1	JOYSTICK 8 FUNCTION WITH ANTI SLIP		208
8.1	65406	1	PUSHBUTTON, RED, AUX. HYDR. JOYSTICK		-
8.2	65407	1	PUSHBUTTON, BLUE, JOYSTICK, AUX. HYDR.		-
8.3	65408	1	ROCKER SWITCH, BLACK, JOYSTICK		-

204/232

2.2.2024

A454024 HYDRAULIC MANIFOLD ANTI SLIP VALVE



HUOM!
 Nimike A454024 sisältää osat (2) - (13)
 Tiivistesarja (14) sisältää osien (2), (3), (4), (6) tiivisteet

NOTE!
 Item A454024 includes components (2) - (13)
 Seal kit (14) includes seals for components (2), (3), (4), (6)

2.2.2024

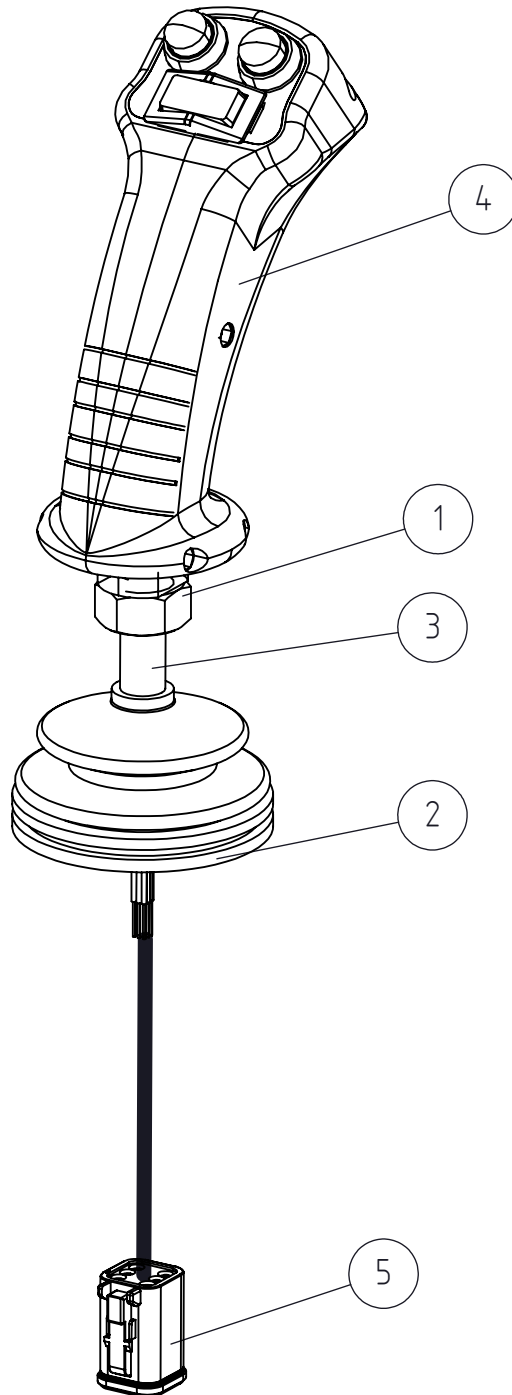
A454024 HYDRAULIC MANIFOLD ANTI SLIP VALVE

REF	PART NO	QTY	DESCRIPTION	NOTES	PAGE
1	A454024	1	HYDRAULIC MANIFOLD ANTI SLIP VALVE		206
2	A428742	1	FLOW DIVIDER VALVE CARTRIDGE 420BAR		-
3	A428740	1	DIVERTER VALVE CARTRIDGE 420BAR		-
4	A428584	1	VALVE CARTRIDGE SPOOL VALVE 3/2		-
5	66452	1	SOLENOID 12VDC/19W		-
6	A428743	2	CHECK VALVE CARTRIDGE 420BAR		-
7	64407	7	HEXAGONAL PLUG R 1/8" WITH PACKING		-
8	74411	2	HEXAGONAL PLUG HF 3/8" HTUNG		-
9	A449892	4	BASIC FITTING G1/2" M24*1,5		-
10	64087	1	ELBOW FITTING 90 DEGR. /4#		-
11	64044	1	ELBOW FITTING 90° C40XS10-3/8 /8		-
12	A428739	1	FLOW RESTRICTOR M6/0,7MM		-
13	75113	2	O-RING NBR F 31,42*2,62 90SH		-
14	A428795	1	SEAL KIT HYDRAULIC MANIFOLD A421617		-

206/232

2.2.2024

A435400 JOYSTICK 8 FUNCTION WITH ANTI SLIP



2.2.2024

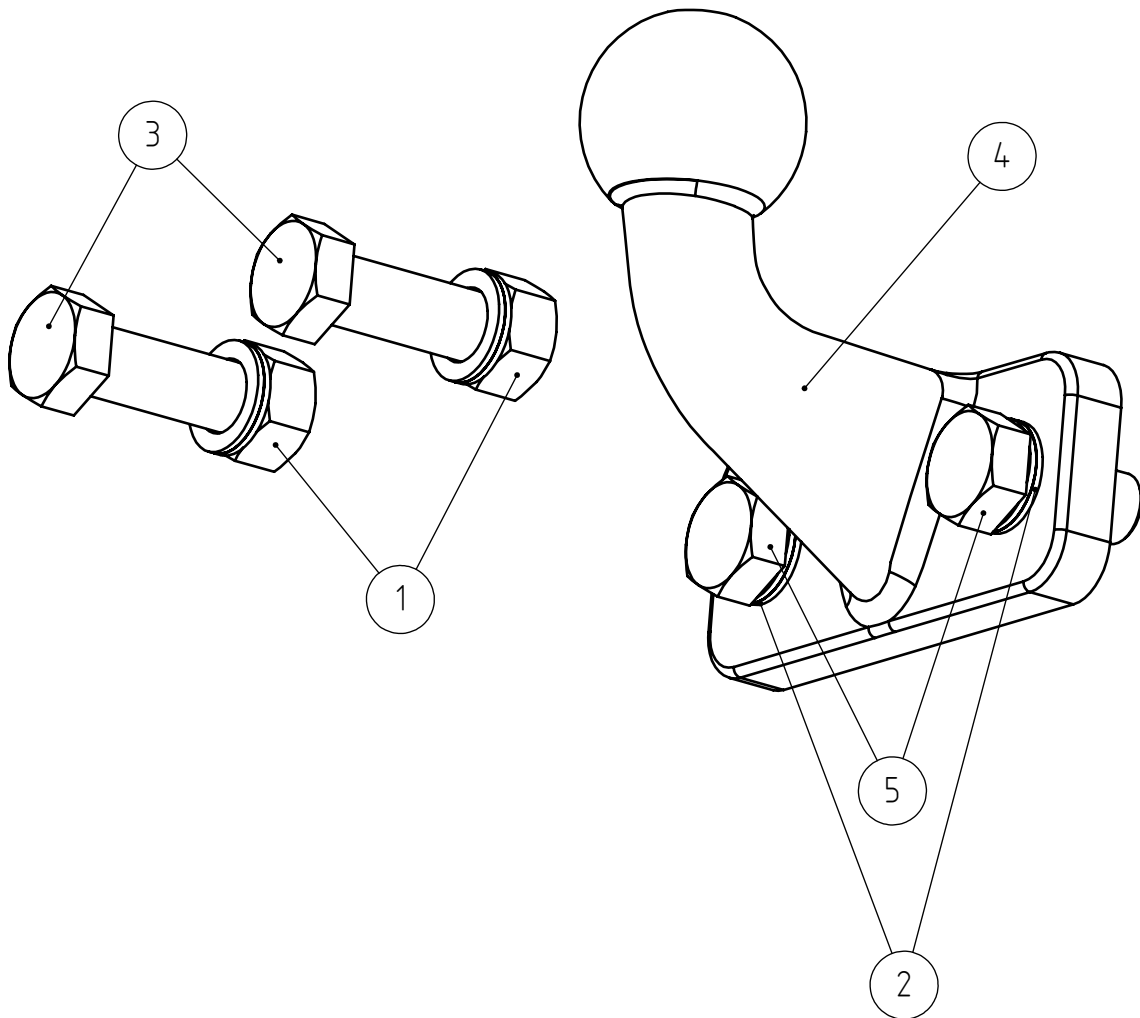
A435400 JOYSTICK 8 FUNCTION WITH ANTI SLIP

REF	PART NO	QTY	DESCRIPTION	NOTES	PAGE
1	74676	1	HEXAGONAL NUT M 14*1,5 DIN 934 ZN		-
2	74327	1	RUBBER COVER, CONTROL LEVER, F12/56*40		-
3	A410614	1	BRACKET ROD, CONTROL LEVER		-
4	65262	1	JOYSTICK HANDLE 8-FUNC WITH ANTI SLIP SW		-
5	A426057	1	CONNECTOR PLUG 6 PIN DT06-6S DEUTSCH		-
-	65406	1	PUSHBUTTON, RED, AUX. HYDR. JOYSTICK		-
-	65407	1	PUSHBUTTON, BLUE, JOYSTICK, AUX. HYDR.		-
-	65408	1	ROCKER SWITCH, BLACK, JOYSTICK		-

208/232

2.2.2024

A417323 BALL HITCH, REAR, 50 MM COMPLETE ASSEMBLY



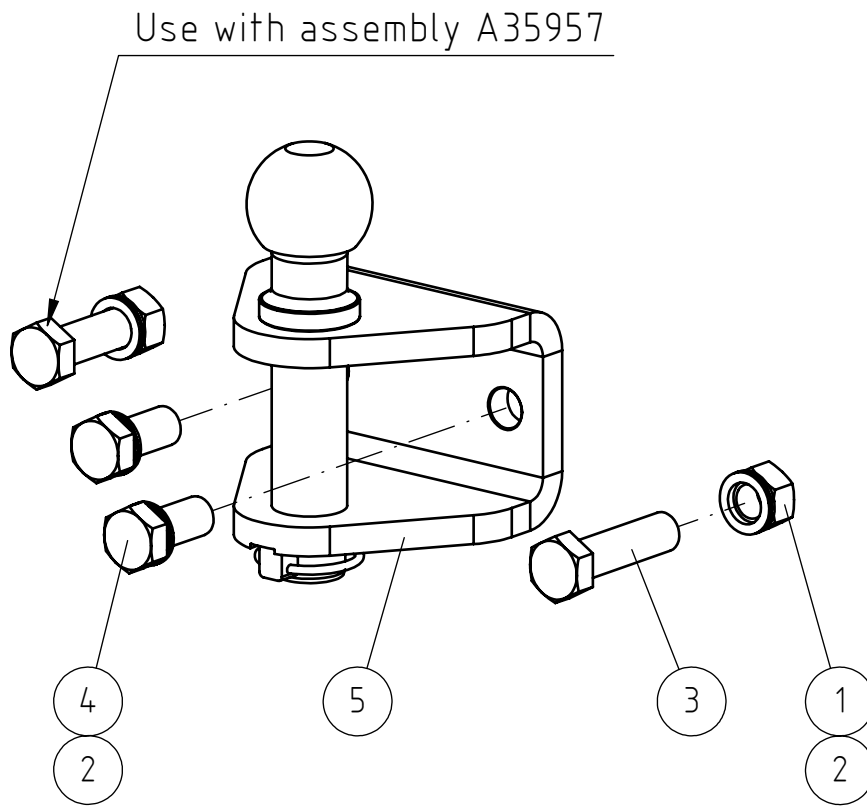
2.2.2024

A417323 BALL HITCH, REAR, 50 MM COMPLETE ASSEMBLY

REF	PART NO	QTY	DESCRIPTION	NOTES	PAGE
1	72329	2	HEXAGONAL NUT M 16 DIN 934		-
2	74533	4	WASHER, PAIR, M16 NL16 NORDLOCK		-
3	73569	2	HEXAGONAL SCREW M16* 60 DIN 933		-
4	65901	1	BALL HITCH 50MM AND PIN TOWING HITCH		-
5	74799	2	HEXAGONAL SCREW M16*35 DIN 933		-

210/232

A417337 BALL HITCH, REAR, 50MM WITH TOWING PIN



2.2.2024

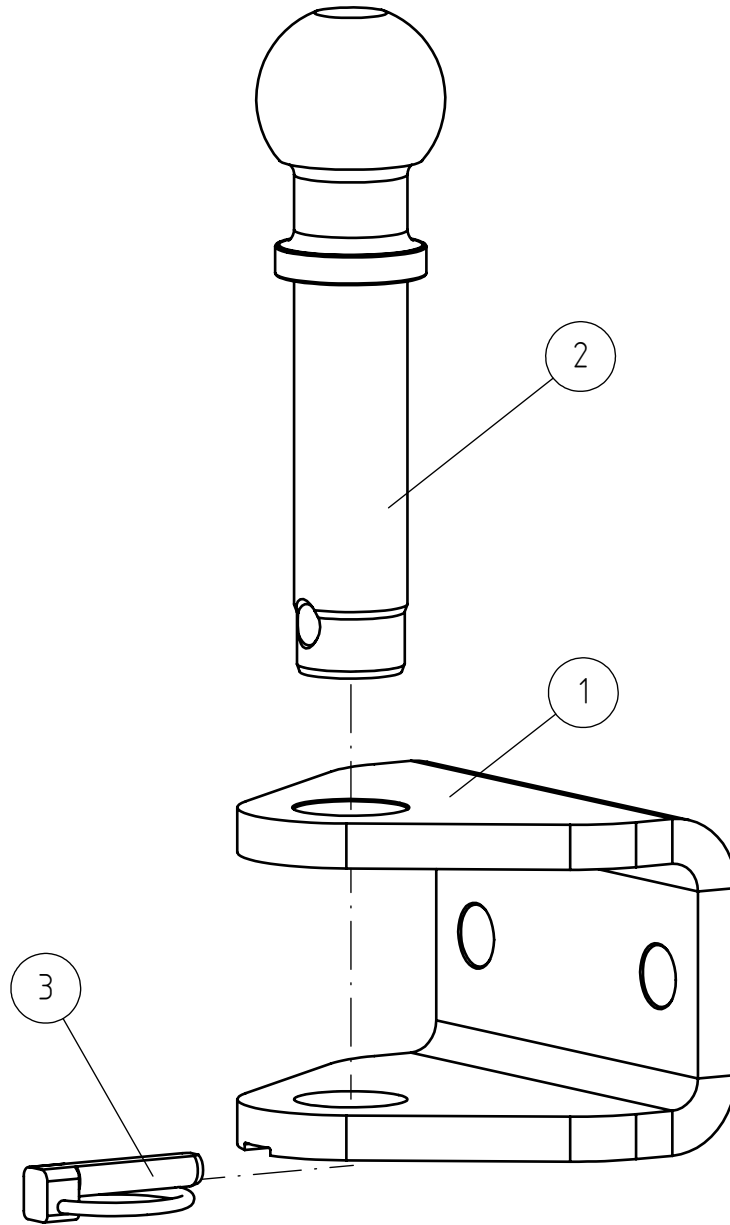
A417337 BALL HITCH, REAR, 50MM WITH TOWING PIN

REF	PART NO	QTY	DESCRIPTION	NOTES	PAGE
1	72329	2	HEXAGONAL NUT M 16 DIN 934		-
2	74533	4	WASHER, PAIR, M16 NL16 NORDLOCK		-
3	73569	2	HEXAGONAL SCREW M16* 60 DIN 933		-
4	74799	2	HEXAGONAL SCREW M16*35 DIN 933		-
5	A444928	1	BALL HITCH REAR WITH TOWING PIN F50		214

212/232

2.2.2024

A444928 BALL HITCH REAR WITH TOWING PIN F50



213/232

2.2.2024

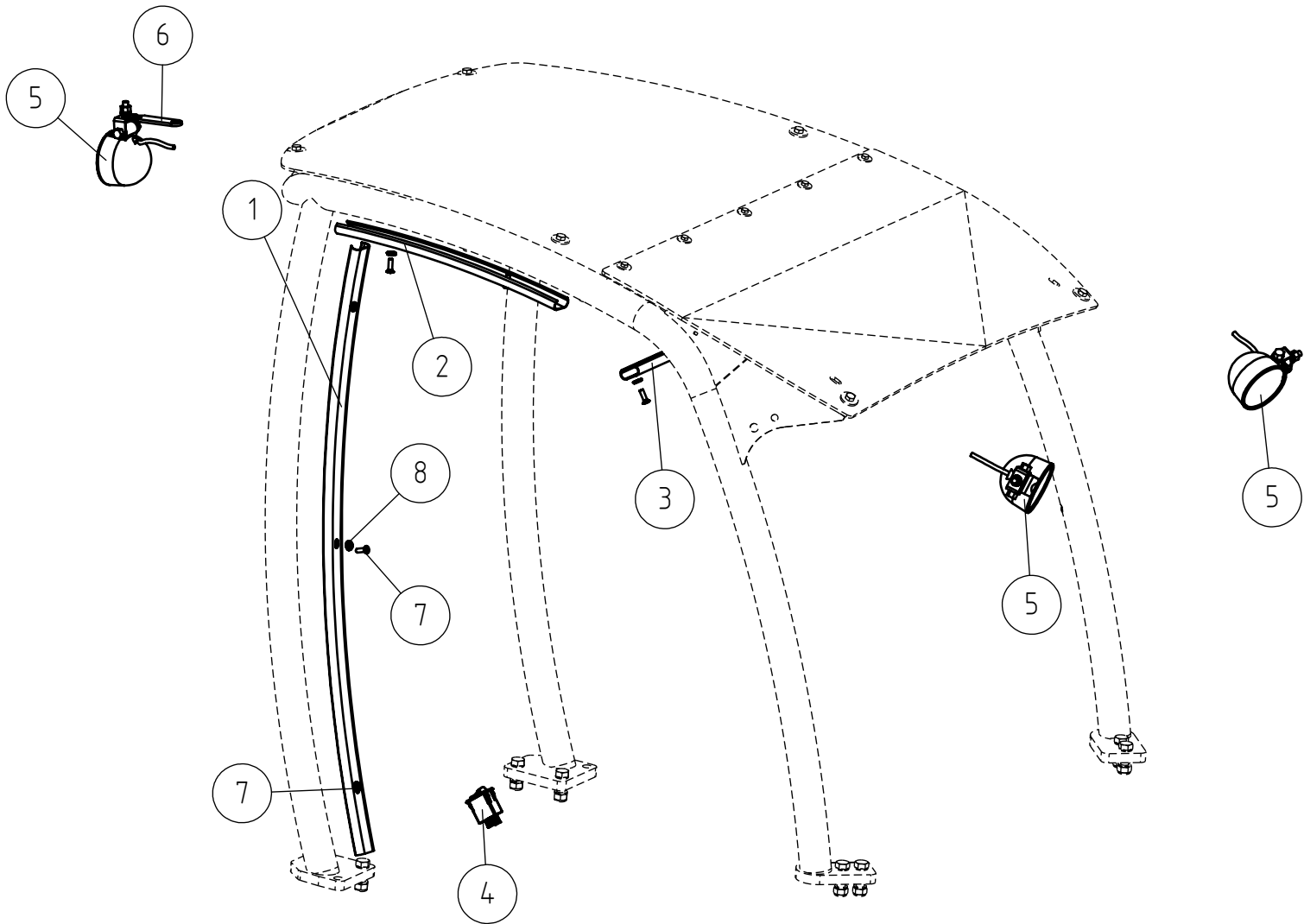
A444928 BALL HITCH REAR WITH TOWING PIN F50

REF	PART NO	QTY	DESCRIPTION	NOTES	PAGE
1	A444926	1	MOUNTING BRACKET TOWING PIN		-
2	A443223	1	TOWING PIN WITH 50MM BALL HITCH		-
3	71727	1	LINCH PIN 9,5 MM		-

214/232

2.2.2024

A438520 WORK LIGHT KIT, 3 LED LIGHTS 700 LUMEN



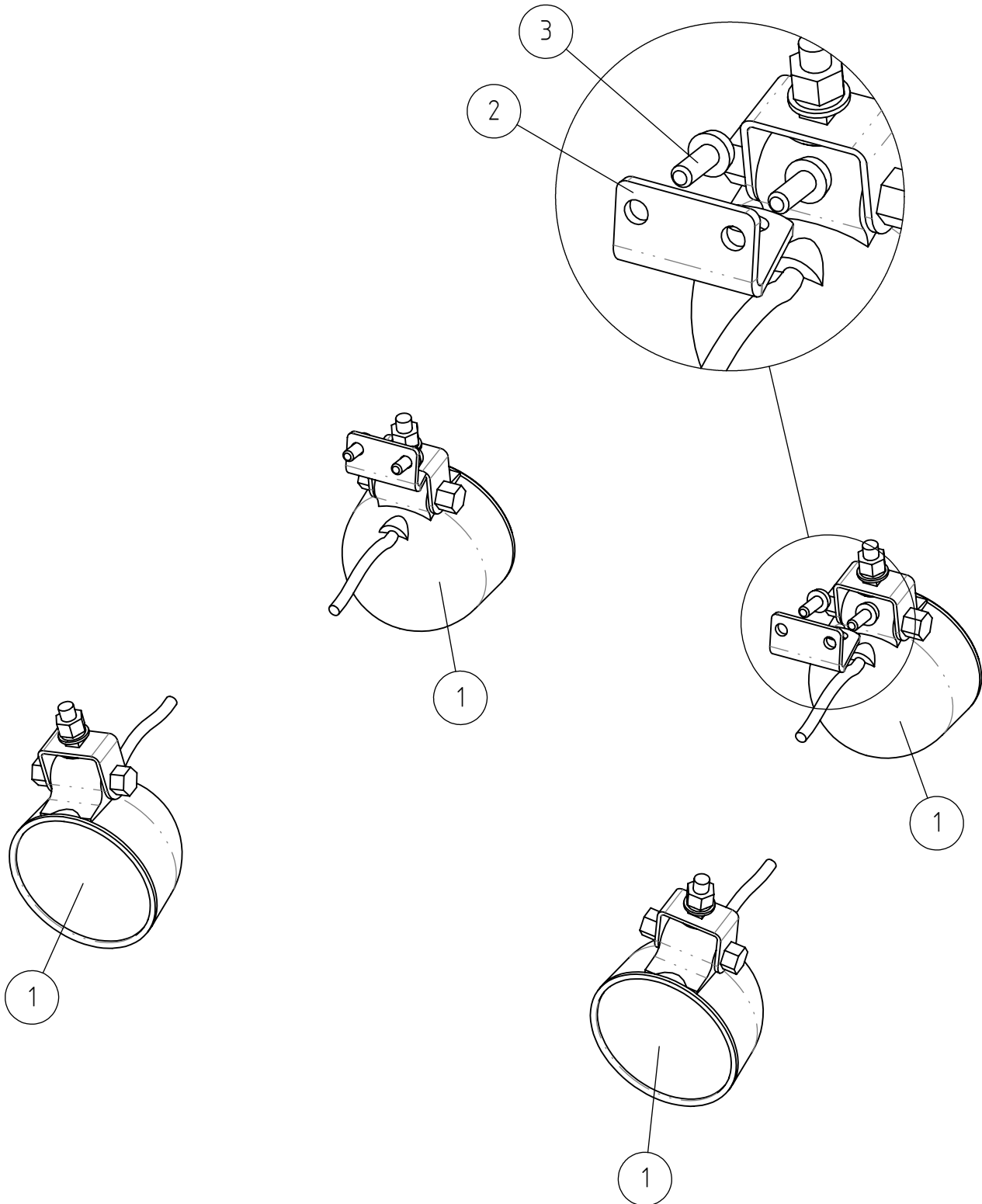
2.2.2024

A438520 WORK LIGHT KIT, 3 LED LIGHTS 700 LUMEN

REF	PART NO	QTY	DESCRIPTION	NOTES	PAGE
1	A49080	1	COVER STRIP, SIDE		-
2	A49079	1	COVER STRIP, MIDDLE		-
3	A49077	1	COVER STRIP, UPPER		-
4	65066	1	SWITCH, WORK LIGHT		-
5*	66068	3	WORK LIGHT LED 700 LUMEN 12V/12W COBO	700 Lumen	-
5**	A419163	3	WORK LIGHT LED 2500 LUMEN WITH CONNECTOR	2500 Lumen	-
6	A412802	1	MOUNTING BRACKET WORK LIGHT LED		-
7	74767	8	RAISED COUNTERSUNK HEAD SCREW M6*20		-
8	74768	8	WASHER CONICAL M6		-
9	A437372	1	WIRE HARNESS WORK LIGHT KIT / BEACON		-

216/232

A438528 WORK LIGHT KIT LED 700LM CAB GT



2.2.2024

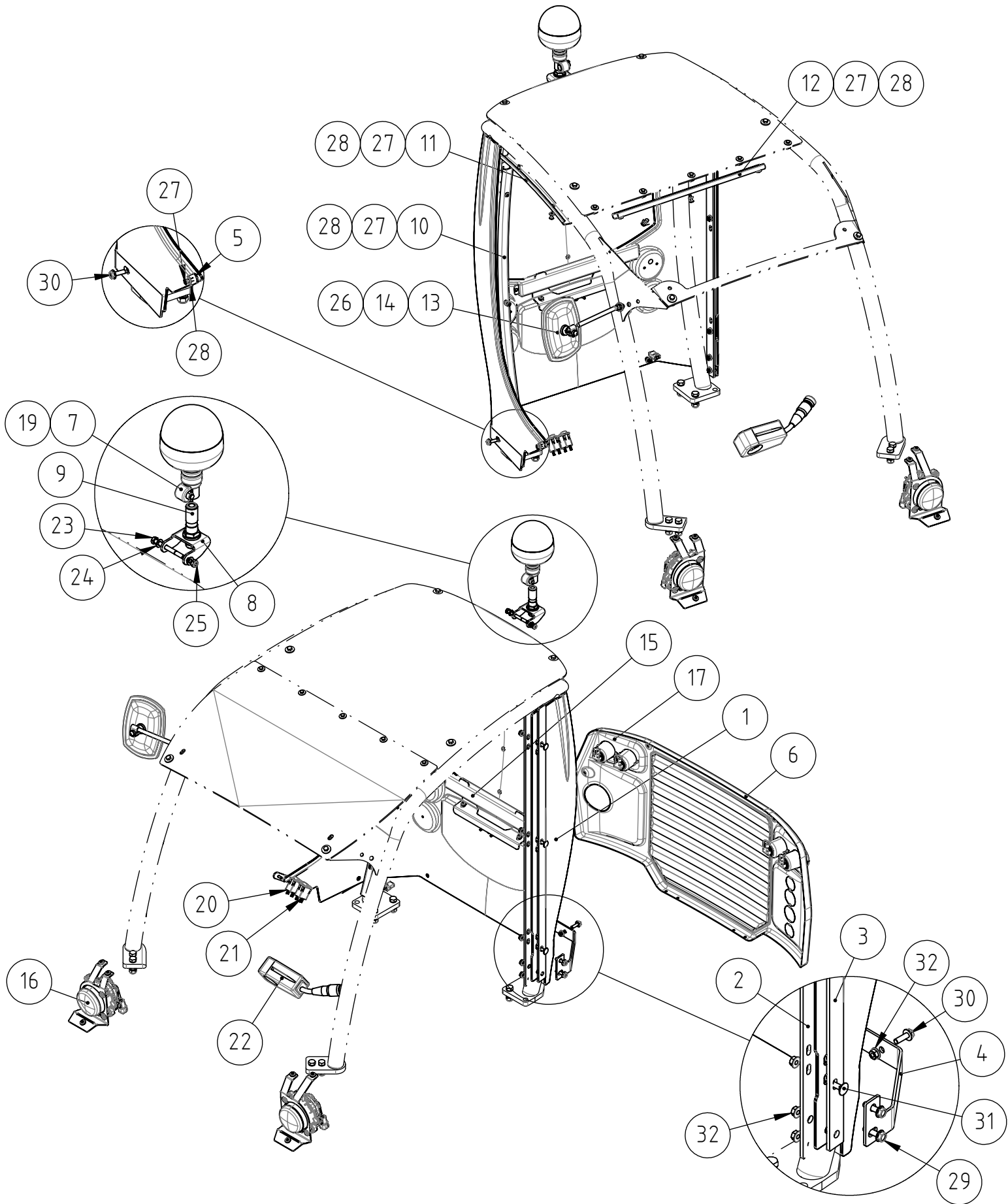
A438528 WORK LIGHT KIT LED 700LM CAB GT

REF	PART NO	QTY	DESCRIPTION	NOTES	PAGE
1*	66068	4	WORK LIGHT LED 700 LUMEN 12V/12W COBO	700 Lumen	-
1**	A419163	4	WORK LIGHT LED 2500 LUMEN WITH CONNECTOR	2500 Lumen	-
2	A438523	2	MOUNTING BRACKET WORK LIGHT CAB 800 SER		-
3	75129	4	THREAD-FORMING SCREW M6*16 DIN 7500C		-

218/232

2.2.2024

A454167 ROAD TRAFFIC KIT, ON ROPS 860I, WEEK



2.2.2024

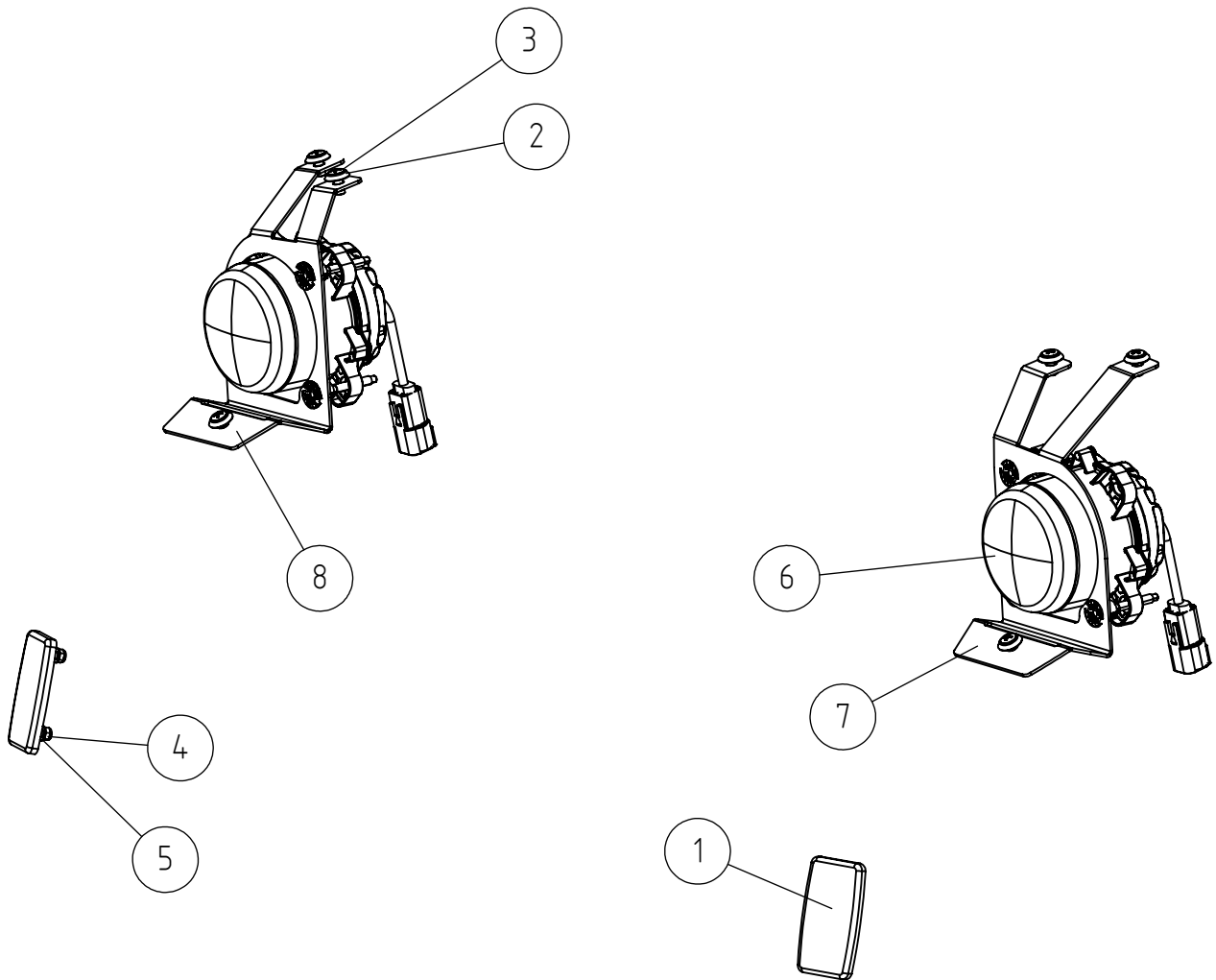
A454167 ROAD TRAFFIC KIT, ON ROPS 860I, WEEK

REF	PART NO	QTY	DESCRIPTION	NOTES	PAGE
1	A438703	1	REAR WALL WITH WINDOW + SLOW MOVING		-
2	A49354	1	FRAME, INNER		-
3	A49353	1	FRAME, OUTER		-
4	A49356	1	MOUNTING BRACKET, LOWER		-
5	A410060	1	BRACKET		-
6	A437383	1	REAR GRILLE WITH LIGHTS, ASSEMBLY,		-
6.1	64849	2	BLINKER		-
6.2	65548	2	TAIL LIGHT RED COBO		-
7	A435335	1	BEACON, ORANGE WITH LED LIGHT 11W		-
8	A49059	1	BRACKET, BEACON		-
9	65058	1	BRACKET (PIN), BEACON		-
10	A49080	1	COVER STRIP, SIDE		-
11	A49079	1	COVER STRIP, MIDDLE		-
12	A445420	1	COVER STRIP UPPER GREY		-
13	64389	1	SIDE MIRROR CONVEX GLASS 185*135 MM		-
14	A411594	1	ARM, SIDE MIRROR		-
15	A435070	1	SLOW MOVING VEHICLE TRIANGLE 430X45X30		-
16	A452132	1	HEADLAMP ASSEMBLY AVANT 800 CAB GT &		222
17	A437335	1	WIRE HARNESS ROAD TRAFFIC KIT REAR 700/8		-
18	A449798	1	WIRE HARNESS ROAD TRAFFIC KIT FRONT		-
18.1	A438175	2	RELAY 12V/30A		-
18.2	65751	1	INDICATOR RELAY 12V 84W WEH-54 201 102		-
19	A437372	1	WIRE HARNESS WORK LIGHT KIT / BEACON		-
20	65064	1	SWITCH, WARNING BLINKER		-
21	65065	1	SWITCH, BEACON		-
22	64851	1	LIGHTS/BLINKERS LEVER SWITCH		-
23	72143	1	HEX. SCREW M8*80 DIN 931		-
24	73122	2	WASHER M8 A8,4 DIN 125 ZN		-
25	72320	1	HEXAGONAL NUT M8 NYLOC DIN 985		-
26	A450048	2	HEXAGONAL NUT M12 WITH FLANGE		-
27	74767	9	RAISED COUNTERSUNK HEAD SCREW M6*20		-
28	74768	9	WASHER CONICAL M6		-
29	A429203	2	HEXAGONAL SERRATED SCREW M8*30 WITH		-
30	A429202	3	HEXAGONAL SERRATED SCREW M8*25 WITH FLAN		-
31	74857	3	CARRIAGE BOLT M8*25 DIN603		-
32	A450046	8	HEXAGONAL NUT M8 WITH FLANGE		-

220/232

2.2.2024

A452132 HEADLAMP ASSEMBLY AVANT 800 CAB GT &



2.2.2024

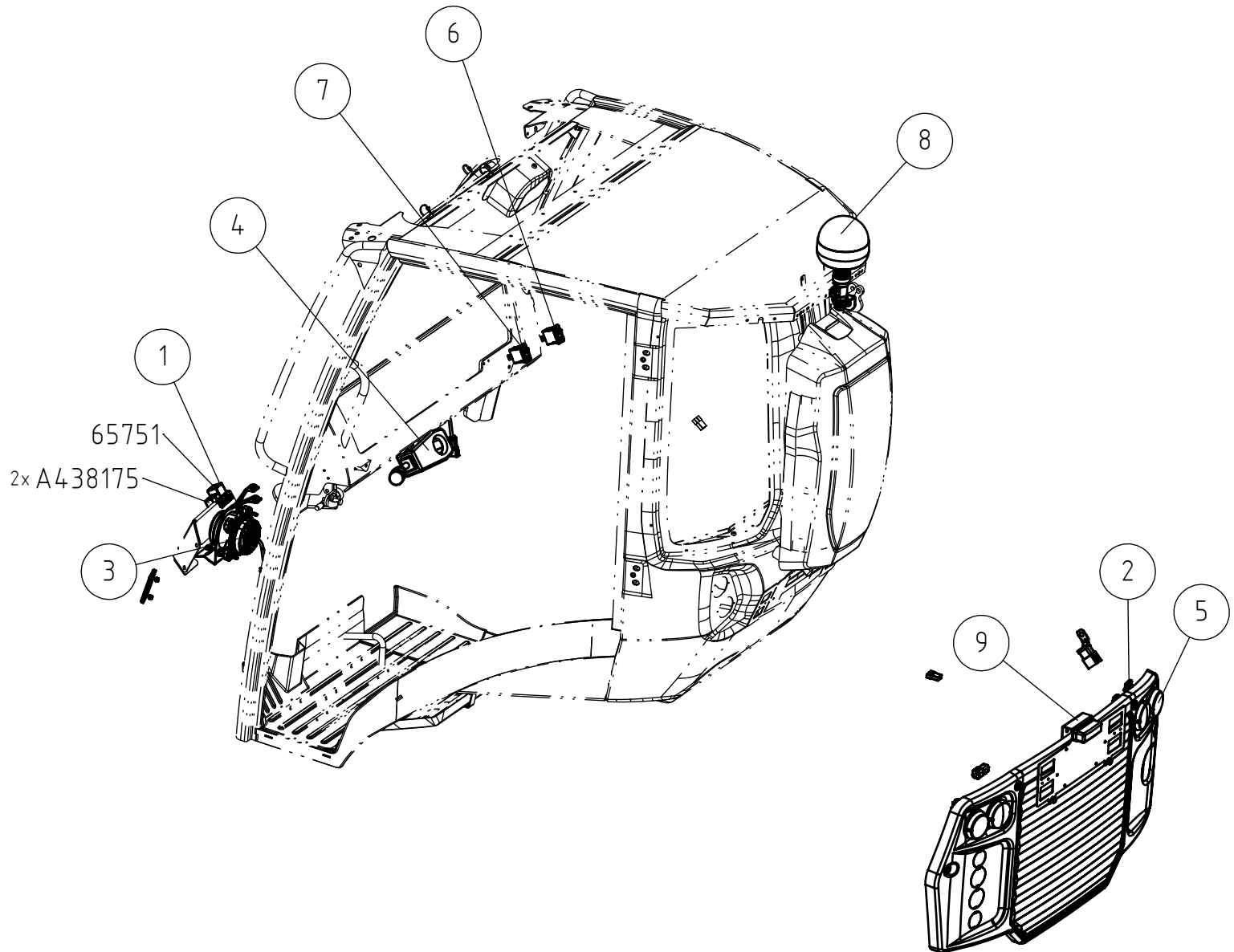
A452132 HEADLAMP ASSEMBLY AVANT 800 CAB GT &

REF	PART NO	QTY	DESCRIPTION	NOTES	PAGE
1	A431705	2	REFLECTOR WHITE 80,6X44,6X9MM		-
2	A422221	6	WASHER M6 GREEN PLASTIC, ANALOG FOR		-
3	74785	6	COUNTERS. CROSS HEAD SCREW M6*16		-
4	72315	4	HEXAGONAL NUT M5 NYLOC DIN 985		-
5	74448	4	WASHER M5 A5,3 DIN 125 ZN		-
6	A443591	2	HEADLAMP / PARKING LIGHT / INDICATOR LED		-
7	A452116	1	MOUNTING BRACKET LEFT FRONT LIGHT LED		-
8	A452117	1	MOUNTING BRACKET LEFT FRONT RIGHT LED		-

222/232

2.2.2024

A455539 ROAD TRAFFIC KIT CAB GT 800 SERIES, WEEK



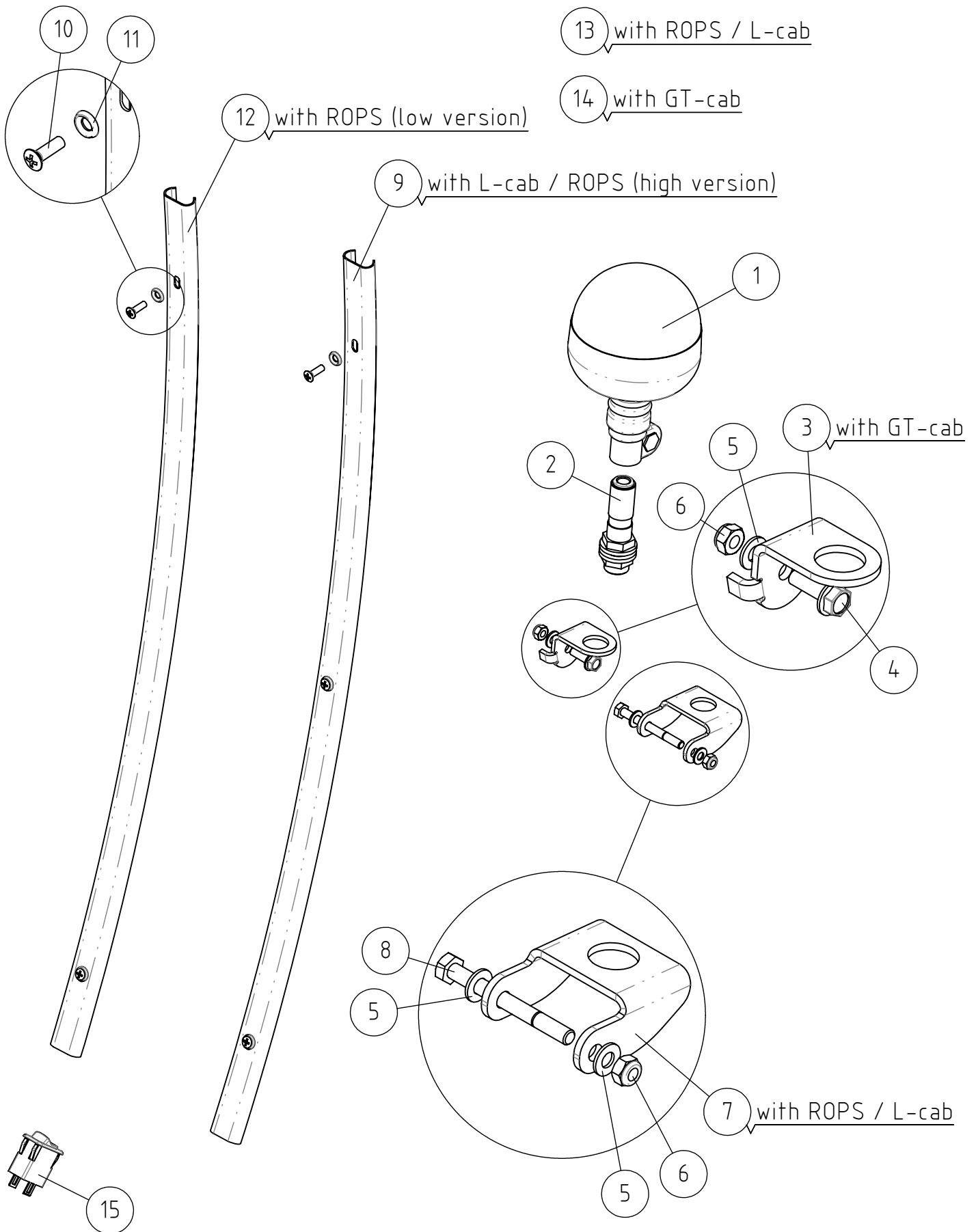
2.2.2024

A455539 ROAD TRAFFIC KIT CAB GT 800 SERIES, WEEK

REF	PART NO	QTY	DESCRIPTION	NOTES	PAGE
1	A449798	1	WIRE HARNESS ROAD TRAFFIC KIT FRONT		-
1.1	A438175	2	RELAY 12V/30A		-
1.2	65751	1	INDICATOR RELAY 12V 84W WEH-54 201 102		-
2	A437335	1	WIRE HARNESS ROAD TRAFFIC KIT REAR 700/8		-
3	A452132	1	HEADLAMP ASSEMBLY AVANT 800 CAB GT &		222
4	64851	1	LIGHTS/BLINKERS LEVER SWITCH		-
5	A437383	1	REAR GRILLE WITH LIGHTS, ASSEMBLY,		-
5.1	64849	2	BLINKER		-
5.2	65548	2	TAIL LIGHT RED COBO		-
6	65064	1	SWITCH, WARNING BLINKER		-
7	65065	1	SWITCH, BEACON		-
8	A438530	1	BEACON 800 SERIES		226
9	A442240	1	MOUNTING BRACKET ASSEMBLY LICENCE PLATE		-

224/232

A438530 BEACON 800 SERIES



2.2.2024

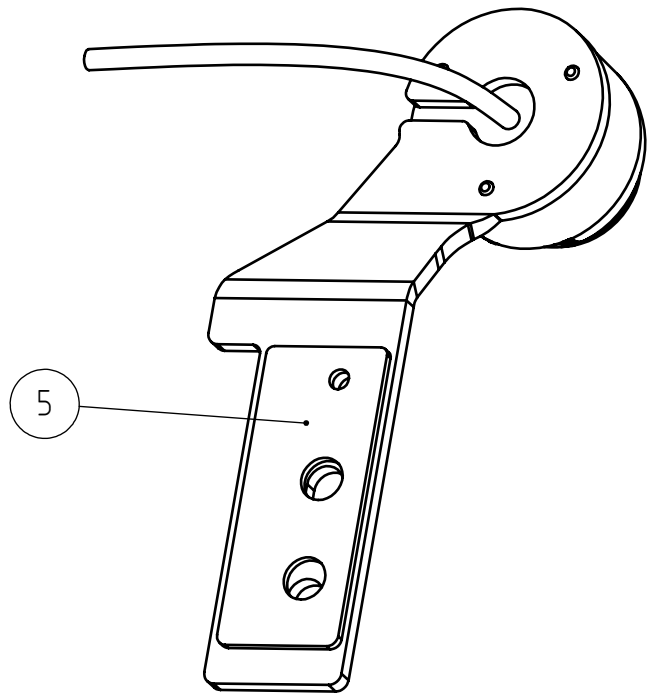
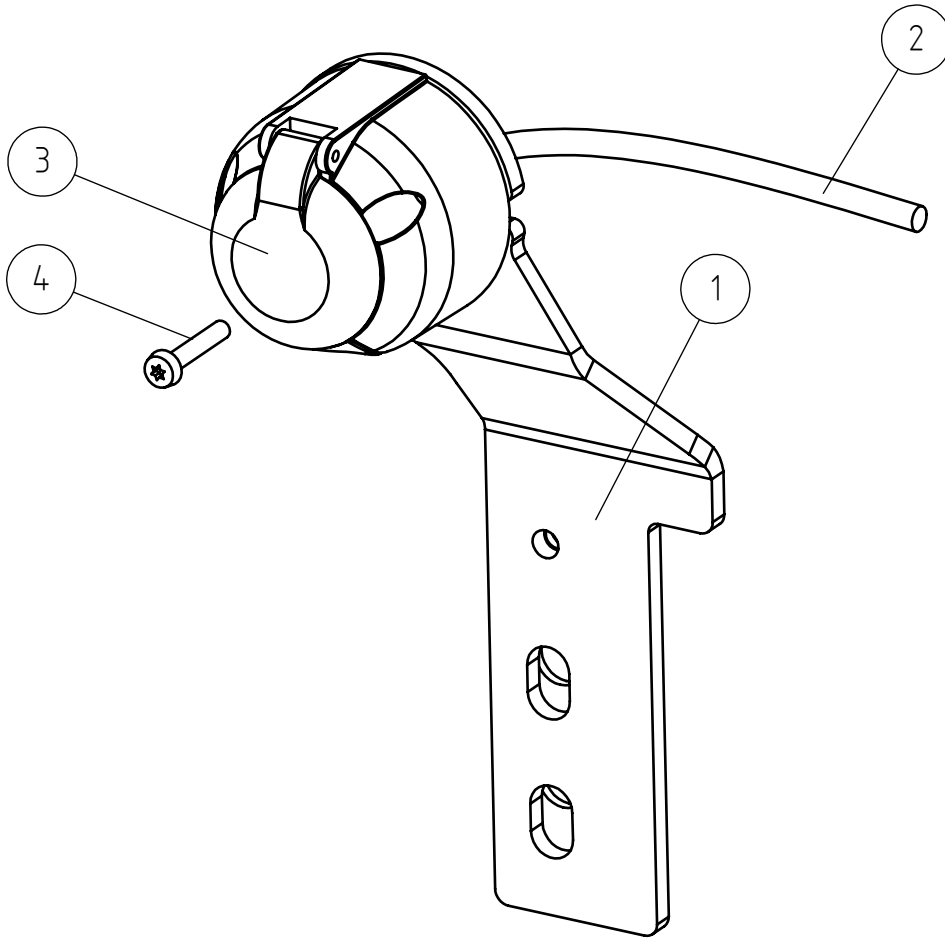
A438530 BEACON 800 SERIES

REF	PART NO	QTY	DESCRIPTION	NOTES	PAGE
1	A435335	1	BEACON, ORANGE WITH LED LIGHT 11W		-
2	65058	1	BRACKET (PIN), BEACON		-
3	A412068	1	BRACKET, BEACON, CAB DLX		-
4	A429202	1	HEXAGONAL SERRATED SCREW M8*25 WITH FLAN		-
5	73122	3	WASHER M8 A8,4 DIN 125 ZN		-
6	72320	2	HEXAGONAL NUT M8 NYLOC DIN 985		-
7	A49059	1	BRACKET, BEACON		-
8	72143	1	HEX. SCREW M8*80 DIN 931		-
9	A49080	1	COVER STRIP, SIDE		-
10	74767	5	RAISED COUNTERSUNK HEAD SCREW M6*20		-
11	74768	5	WASHER CONICAL M6		-
12	A450714	1	COVER STRIP SIDE SHORT		-
13	A440104	1	WIRE HARNESS BEACON 700/800 ROPS STAGE V		-
14	A440977	1	ADAPTER ROTATING BEACON CAB GT		-
15	65065	1	SWITCH, BEACON		-

226/232

2.2.2024

A418817 TRAILER SOCKET 7 PIN, KIT, 700/800



2.2.2024

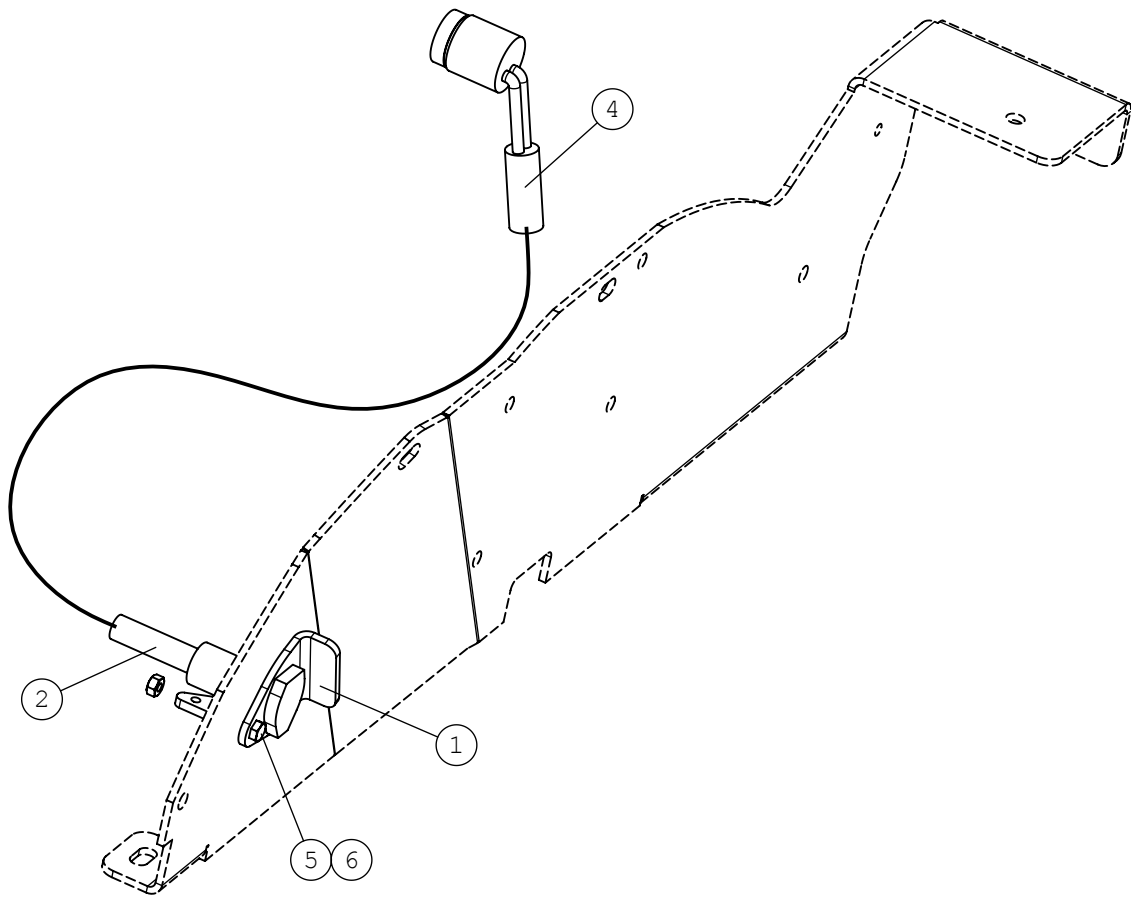
A418817 TRAILER SOCKET 7 PIN, KIT, 700/800

REF	PART NO	QTY	DESCRIPTION	NOTES	PAGE
1	A418828	1	BRACKET, TRAILER SOCKET 7-PIN		-
2	A418830	1	WIRE, TRAILER SOCKET 7-PIN, 700 SERIES		-
3	65054	1	TRAILER SOCKET, 7-PIN		-
4	A442551	3	THREAD-FORMING SCREW M5*30 DIN 7500CE		-
5	A427379	1	SPACER MOUNTING BRACKET TRAILER SOCKET 7		-

228/232

2.2.2024

A419474 ENGINE BLOCK HEATER, 755I/760I/860I



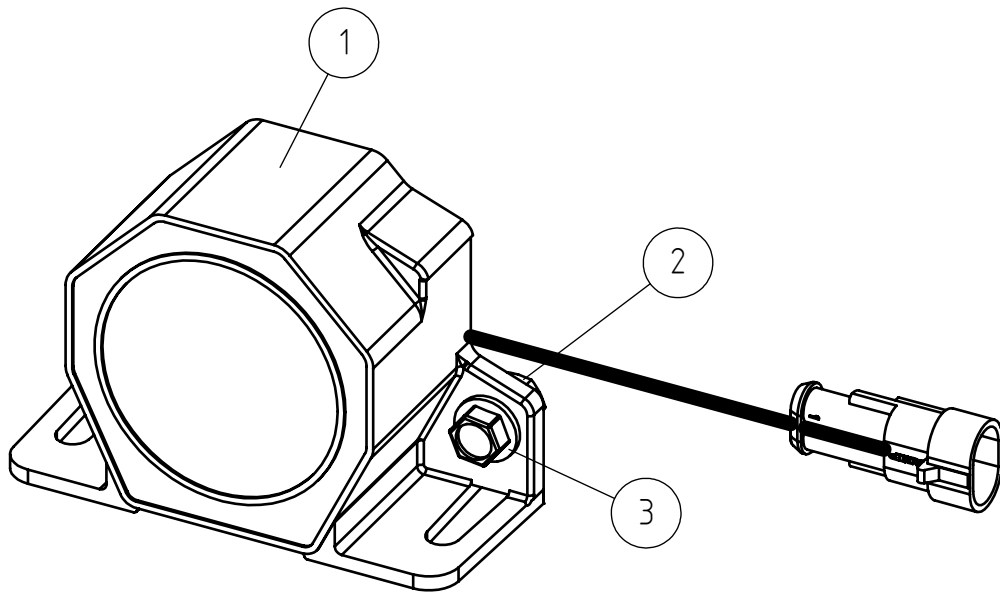
2.2.2024

A419474 ENGINE BLOCK HEATER, 755I/760I/860I

REF	PART NO	QTY	DESCRIPTION	NOTES	PAGE
1	A418769	1	PROTECTION PLATE, OUTLET ENGINE HEATER		-
2	64470	1	CONNECTING LEAD DEFA 460992 BLOCK HEATER		-
3	A46374	1	DECAL ENGINE BLOCK HEATER		-
4	64469	1	HEATER ELEMENT, ENGINE HEATE DEFA 411122		-
5	72117	1	HEXAGONAL SCREW M6*16 DIN 933		-
6	73494	1	HEXAGONAL NUT M6 DIN 934 BLACK		-

2.2.2024

A438525 REVERSE BEEPER, KIT, 755I/760I/860I



2.2.2024

A438525 REVERSE BEEPER, KIT, 755I/760I/860I

REF	PART NO	QTY	DESCRIPTION	NOTES	PAGE
1	A430858	1	REVERSE BEEPER WITH WIRE		-
2	74781	2	HEXAGONAL NUT M6 WITH FLANGE		-
3	A431967	2	HEXAGONAL SERRATED SCREW M6*16 W. FLANG		-

232/232

AVANT®

Varaosat Spare parts

Manufacturer:

AVANT®

AVANT TECNO OY

e-mail: sales@avanttecho.com

Ylötie 1

33470 Ylöjärvi

FINLAND

Tel. +358 3 347 8800

Fax +358 3 348 5511